

REVISIONS F (21/07/03)

DRAWN MH

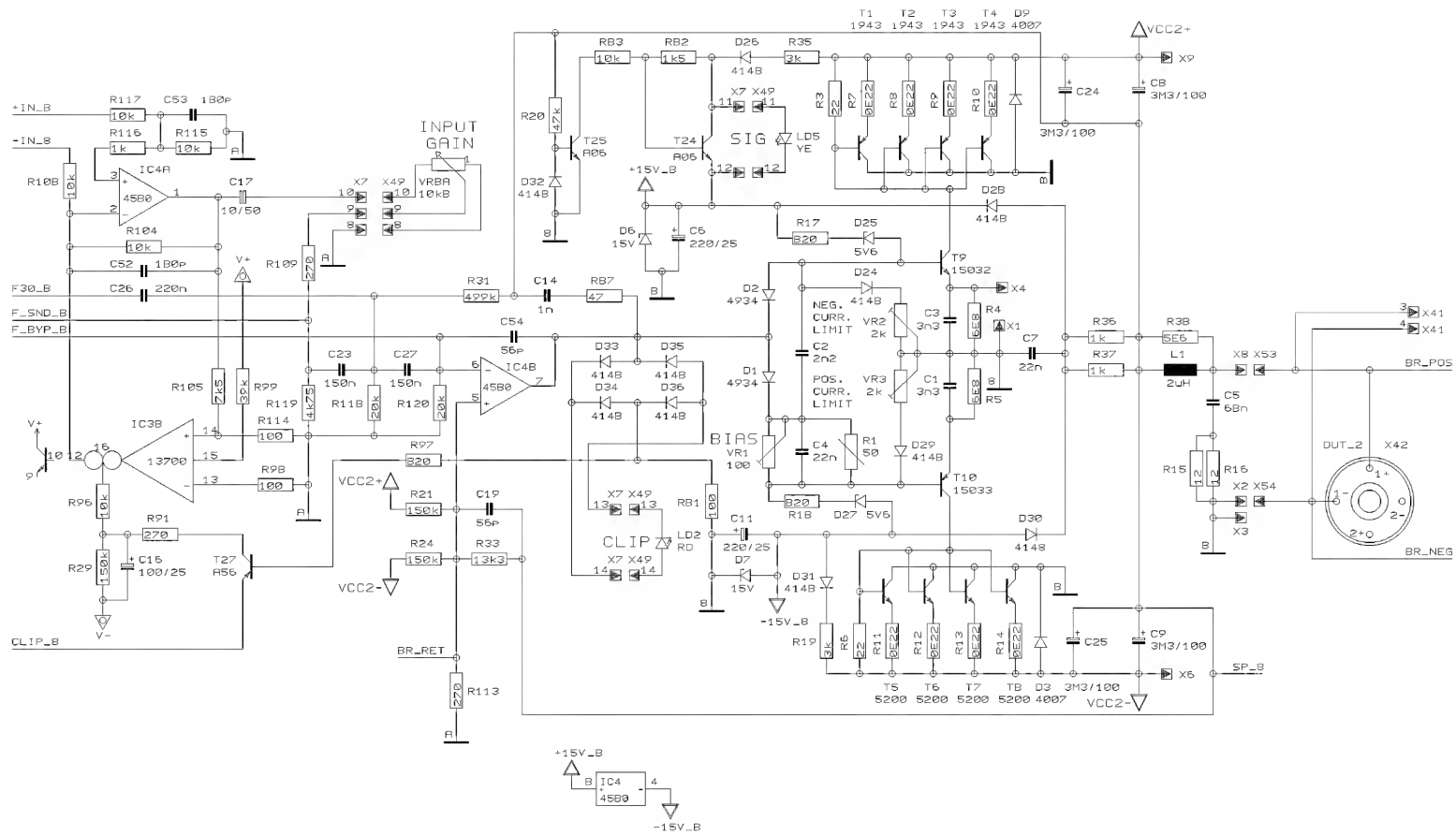
CHECKED

DATE 02.02. 5
12:35



PROJECT
EP1500
EUROPOWER
CHANNEL_1

SHEET 1 OF 3 SHEETS TOTAL



REVISIONS F

DRAWN MH

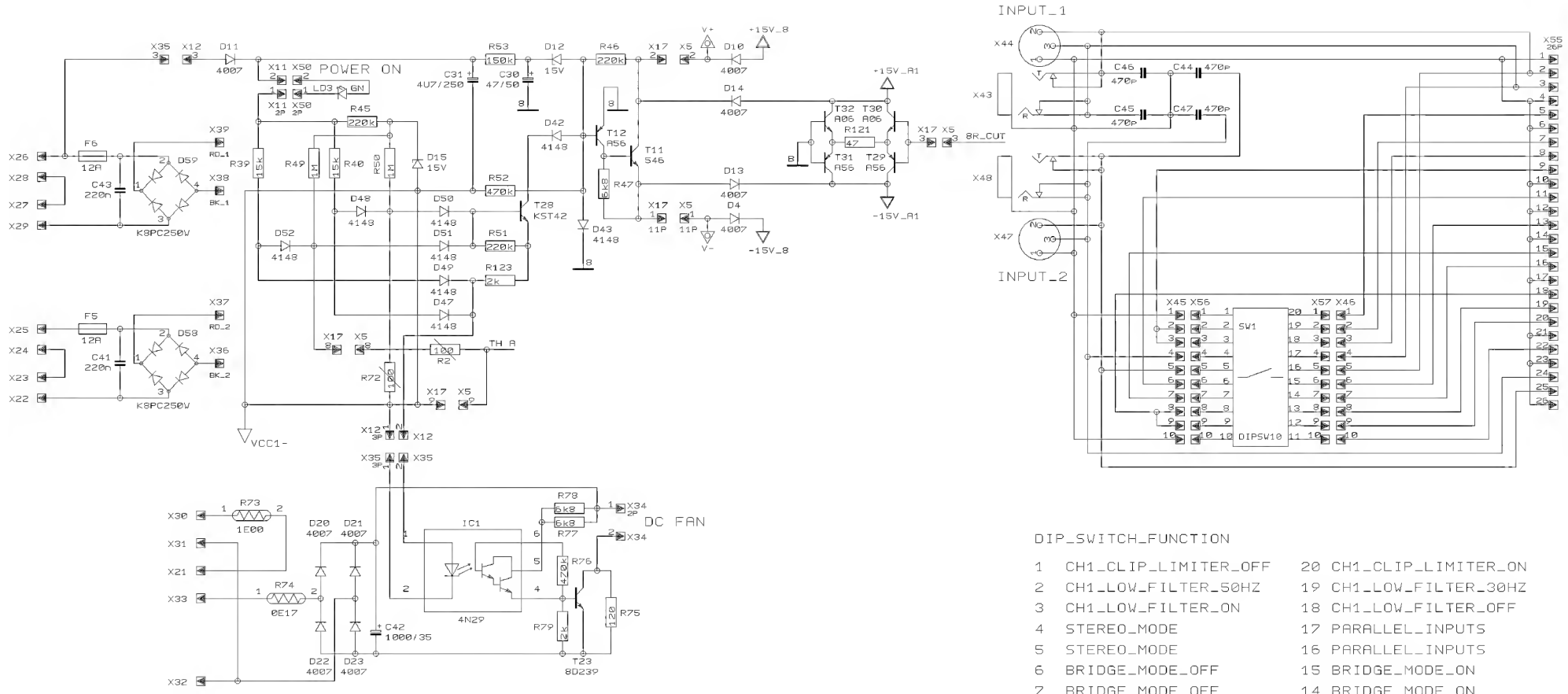
CHECKED

DATE 02.02. 5
12:35

BEHRINGER®
Specialized Studio Equipment

PROJECT
EP1500
EUROPOWER
CHANNEL_2

SHEET 2 OF 3 SHEETS TOTAL



- DIP_SWITCH_FUNCTION
- | | | | |
|----|----------------------|----|---------------------|
| 1 | CH1_CLIP_LIMITER_OFF | 20 | CH1_CLIP_LIMITER_ON |
| 2 | CH1_LOW_FILTER_50HZ | 19 | CH1_LOW_FILTER_30HZ |
| 3 | CH1_LOW_FILTER_ON | 18 | CH1_LOW_FILTER_OFF |
| 4 | STEREO_MODE | 17 | PARALLEL_INPUTS |
| 5 | STEREO_MODE | 16 | PARALLEL_INPUTS |
| 6 | BRIDGE_MODE_OFF | 15 | BRIDGE_MODE_ON |
| 7 | BRIDGE_MODE_OFF | 14 | BRIDGE_MODE_ON |
| 8 | CH2_LOW_FILTER_ON | 13 | CH2_LOW_FILTER_OFF |
| 9 | CH2_LOW_FILTER_50HZ | 12 | CH2_LOW_FILTER_30HZ |
| 10 | CH2_CLIP_LIMITER_OFF | 11 | CH2_CLIP_LIMITER_ON |

REVISIONS		F	
DRAWN	MH	CHECKED	DATE 02.02.5 12:35



PROJECT
 EP1500
 EUROPOWER
 PSU/INPUT STAGE
 SHEET 3 OF 3 SHEETS TOTAL