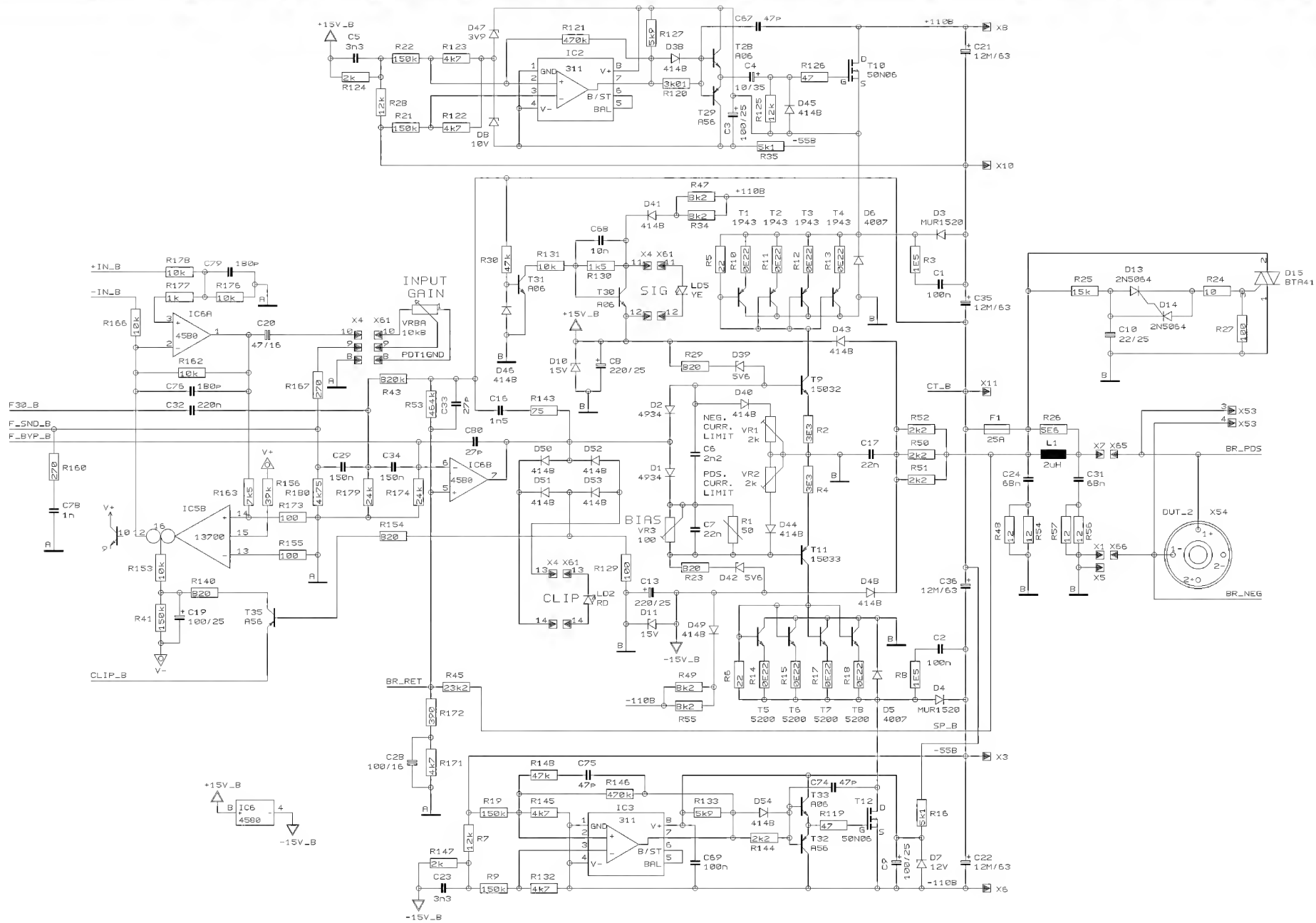


REVISIONS G (11/07/03)

DRAWN DF/SA CHECKED DATE 12.07. 4 14:42



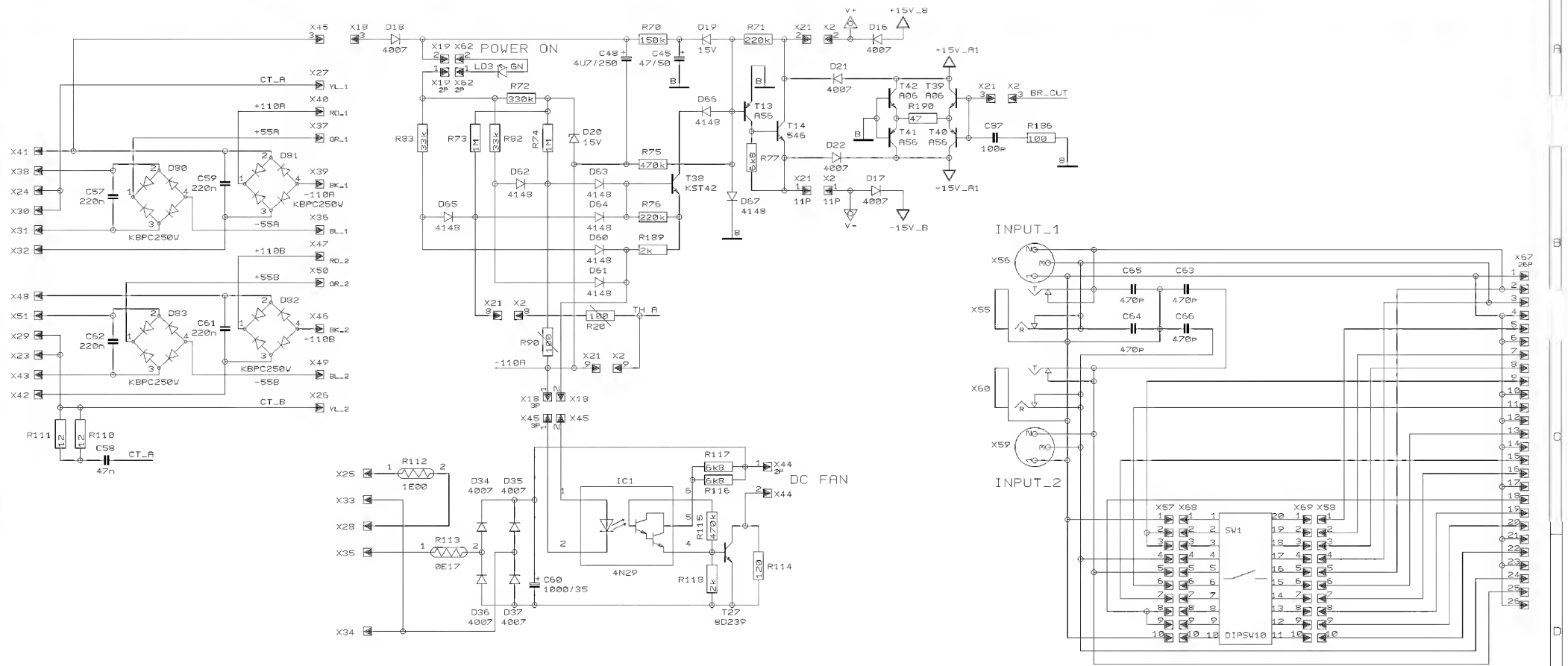
PROJECT EP2500 EUROPOWER CHANNEL_1 SHEET 1 OF 3 SHEETS TOTAL



REVISIONS	G		
DRAWN	DF/SA	CHECKED	DATE 12.07. 4 14:43



PROJECT
EP2500
EUROPOWER
CHANNEL_2
SHEET 2 OF 3 SHEETS TOTAL



DIP_SWITCH_FUNCTION

- | | | | |
|----|----------------------|----|---------------------|
| 1 | CH1_CLIP_LIMITER_OFF | 20 | CH1_CLIP_LIMITER_ON |
| 2 | CH1_LOW_FILTER_50HZ | 19 | CH1_LOW_FILTER_30HZ |
| 3 | CH1_LOW_FILTER_ON | 18 | CH1_LOW_FILTER_OFF |
| 4 | STEREO_MODE | 17 | PARALLEL_INPUTS |
| 5 | STEREO_MODE | 16 | PARALLEL_INPUTS |
| 6 | BRIDGE_MODE_OFF | 15 | BRIDGE_MODE_ON |
| 7 | BRIDGE_MODE_OFF | 14 | BRIDGE_MODE_ON |
| 8 | CH2_LOW_FILTER_ON | 13 | CH2_LOW_FILTER_OFF |
| 9 | CH2_LOW_FILTER_50HZ | 12 | CH2_LOW_FILTER_30HZ |
| 10 | CH2_CLIP_LIMITER_OFF | 11 | CH2_CLIP_LIMITER_ON |

REVISIONS G

DRAWN DF/SA

CHECKED

DATE 12.07. 4
14:43



Specialized Studio Equipment

PROJECT
EP2500
EUROPOWER
PSU/INPUT STAGE

SHEET 3 OF 3 SHEETS TOTAL