

REVISIONS

E

DRAWN

CHECKED

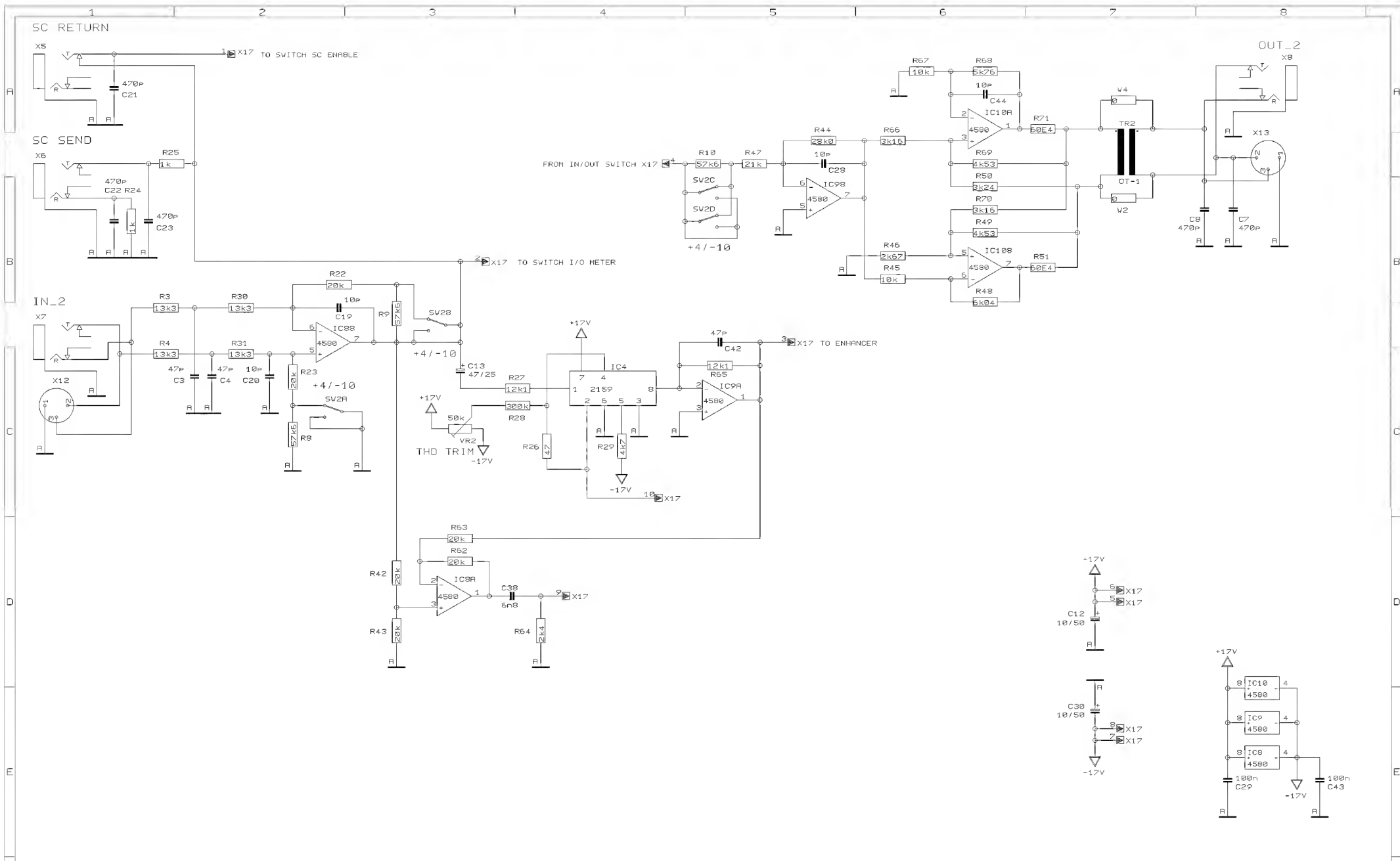
DATE 16.02. 1
9:07

BEHRINGER®

Specialized Studio Equipment

PROJECT
MDX1400
INPUT/OUTPUT SECTION
CHANNEL 1

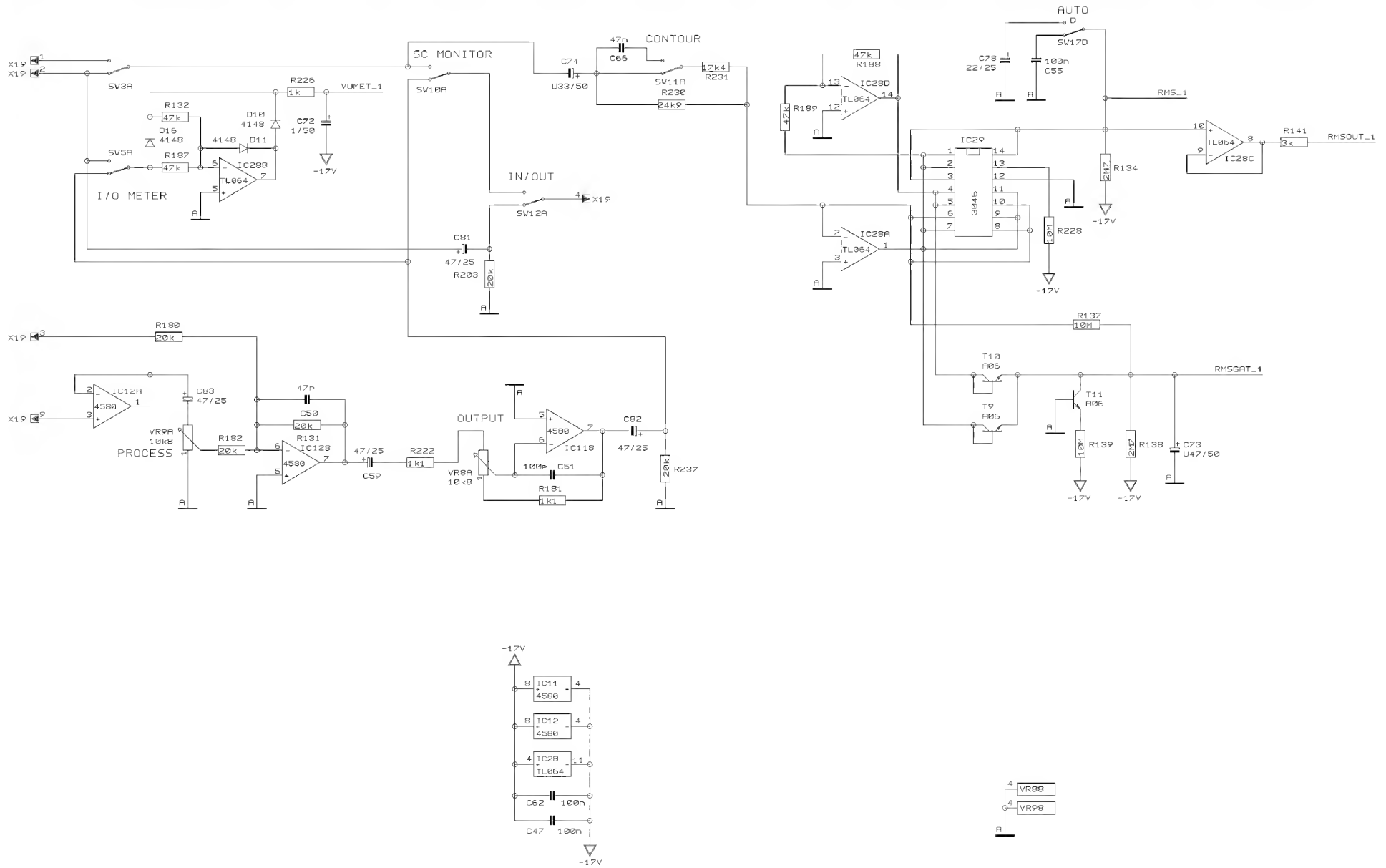
SHEET 1 OF 8 SHEETS TOTAL



REVISIONS		
E		
DRAWN	CHECKED	DATE 16.02. 1 9:07



PROJECT
MDX1400
INPUT/OUTPUT SECTION
CHANNEL 2
SHEET 2 OF 8 SHEETS TOTAL



REVISIONS

E

DRAWN

CHECKED

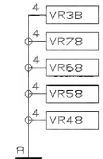
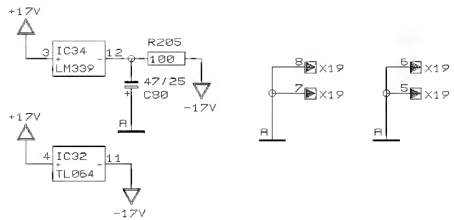
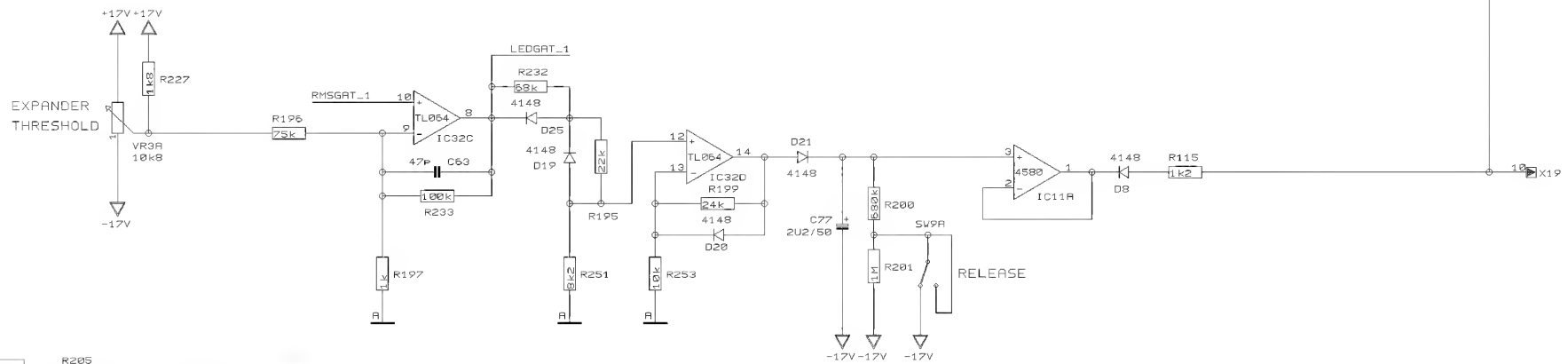
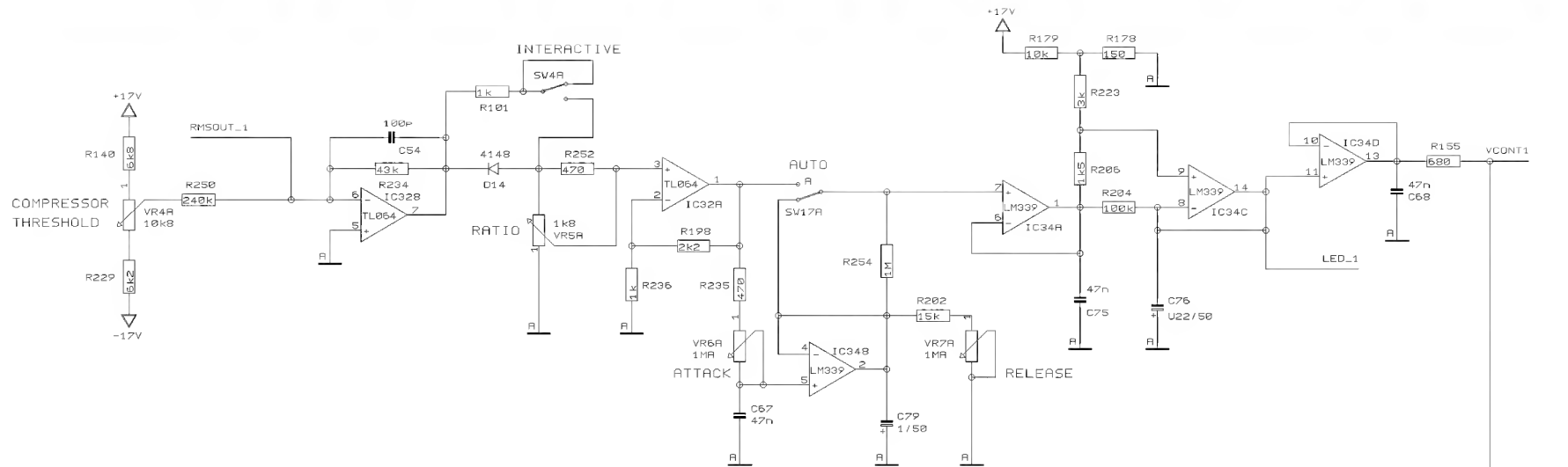
DATE 16.02. 1
9:07

BEHRINGER®

Specialized Studio Equipment

PROJECT
MDX1400
RMS / ENHANCER
CHANNEL 1

SHEET 3 OF 8 SHEETS TOTAL



REVISIONS

E

DRAWN

CHECKED

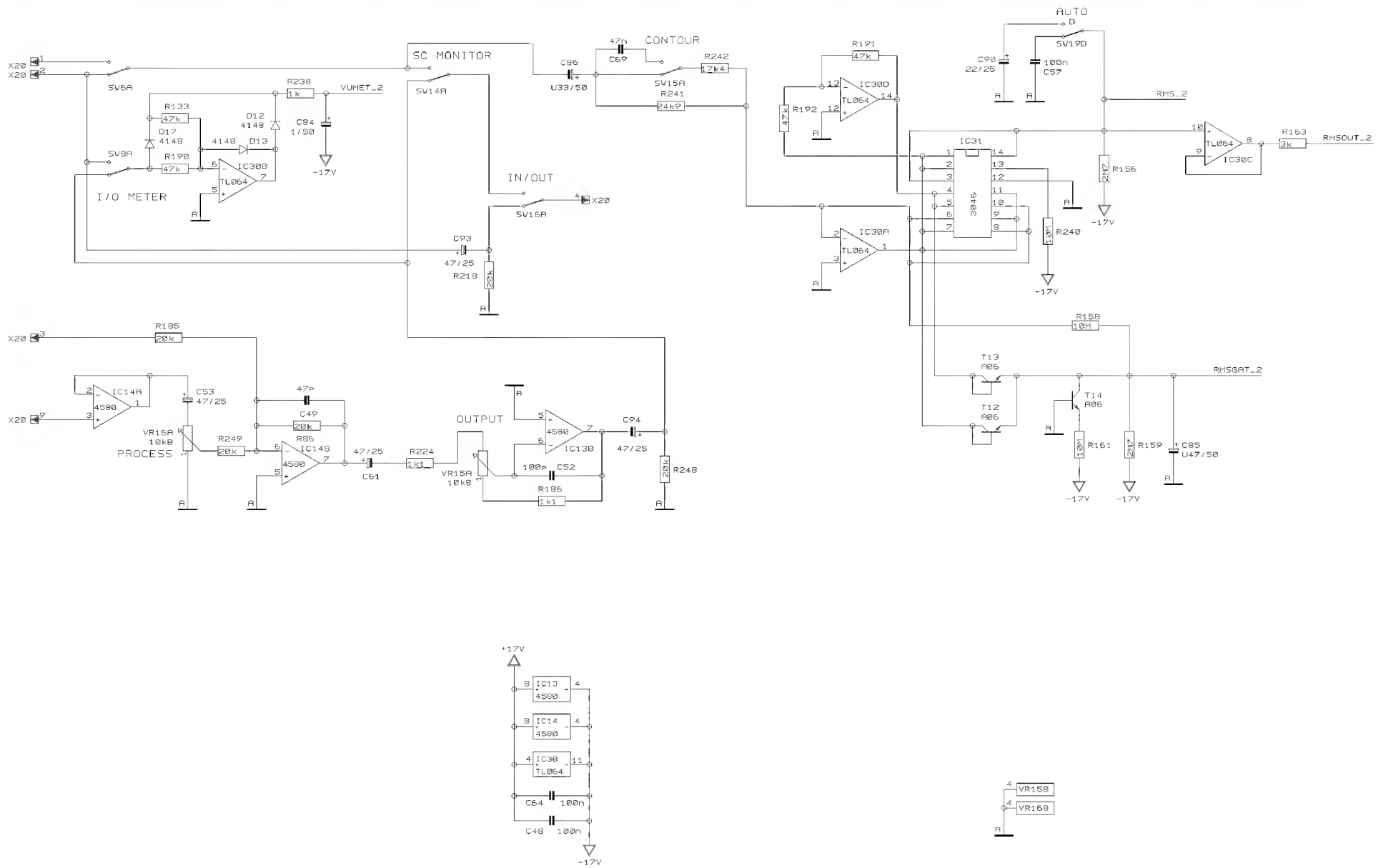
DATE 16.02. 1
9:07

BEHRINGER®

Specialized Studio Equipment

PROJECT
MDX1400
COMPRESSOR/EXPANDER
CHANNEL 1

SHEET 4 OF 8 SHEETS TOTAL

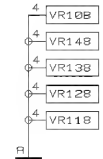
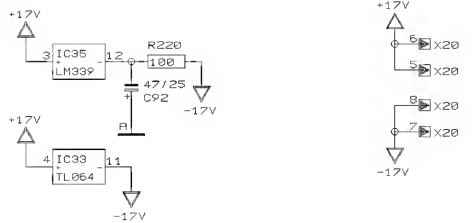
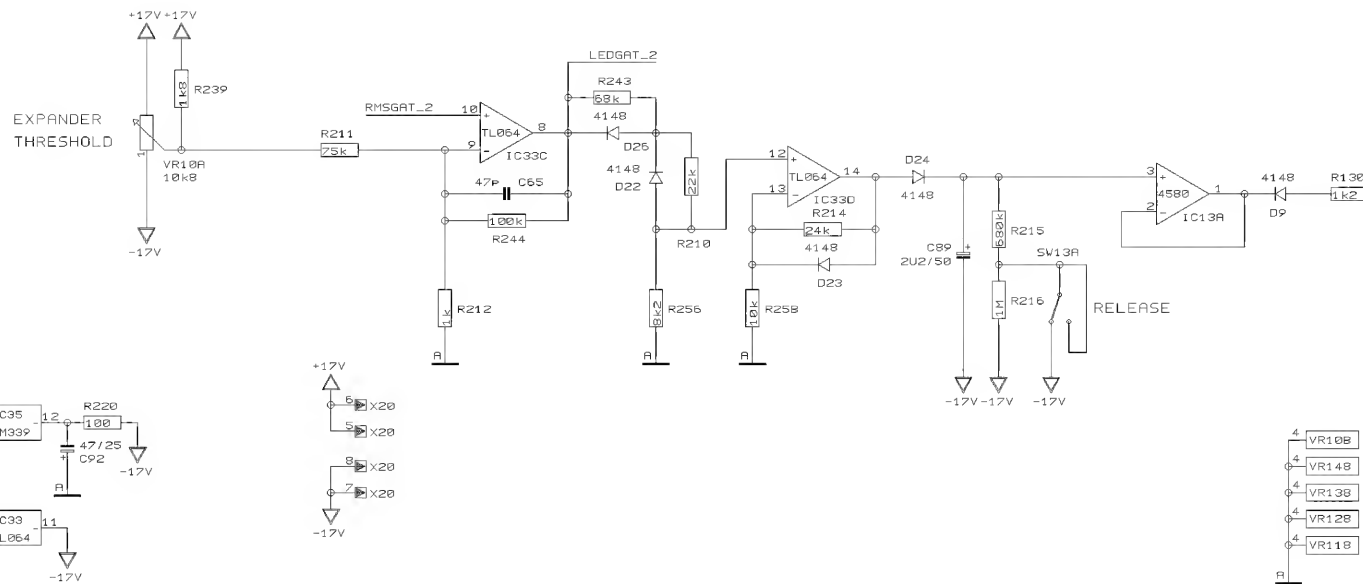
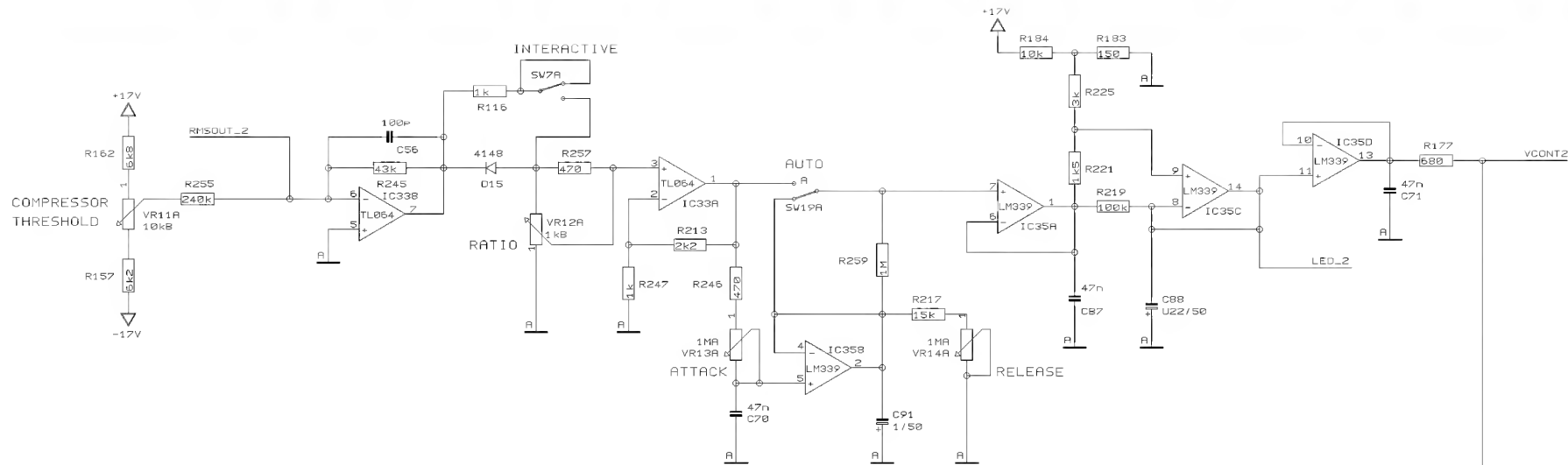


REVISIONS		
E		
DRAWN	CHECKED	DATE 16.02. 1 9:07

BEHRINGER[®]
Specialized Studio Equipment

PROJECT
MDX1400
RMS / ENHANCER
CHANNEL 2

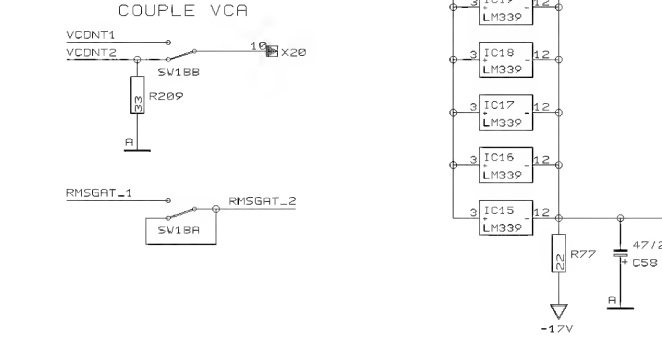
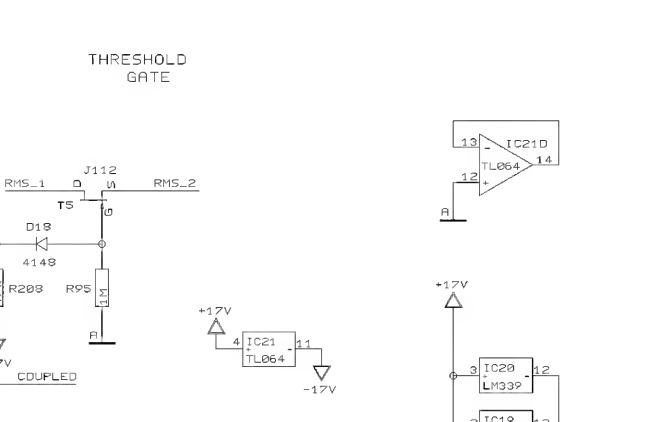
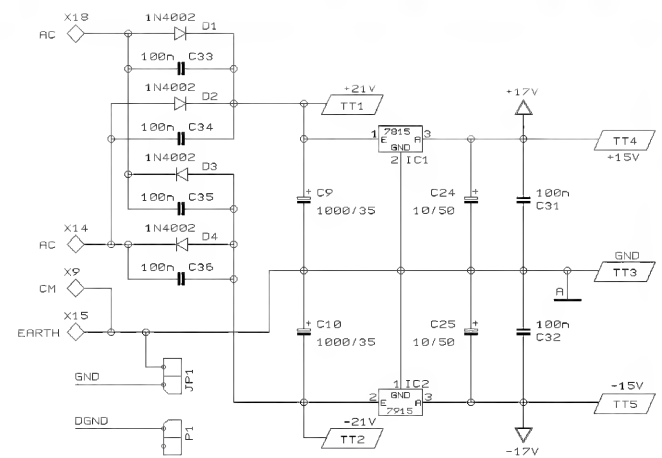
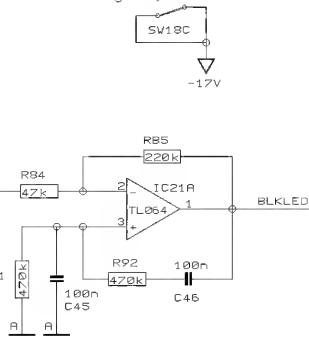
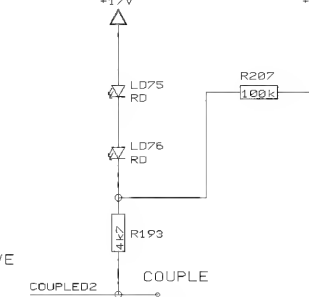
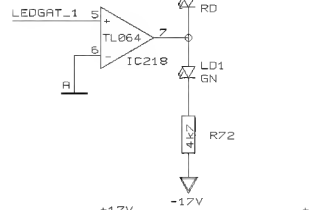
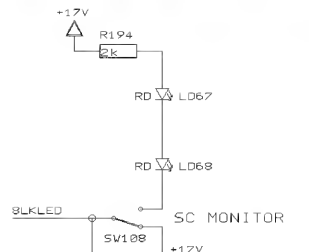
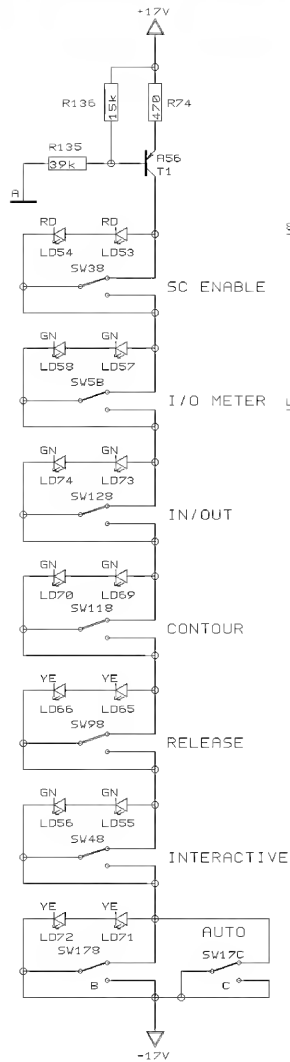
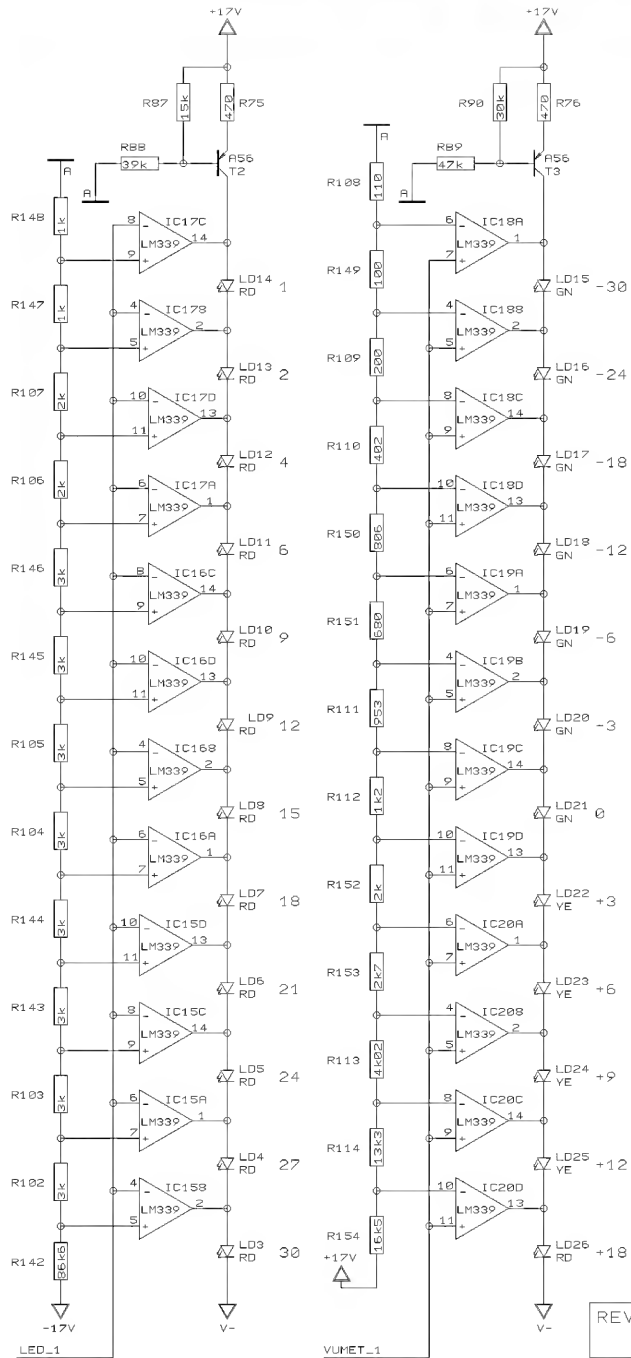
SHEET 5 OF 8 SHEETS TOTAL



REVISIONS		E
DRAWN	CHECKED	DATE 16.02.1 9:07



PROJECT
MDX1400
COMPRESSOR/EXPANDER
CHANNEL 2
SHEET 6 OF 8 SHEETS TOTAL



REVISIONS

E

DRAWN

CHECKED

DATE 16.02. 1
9:07

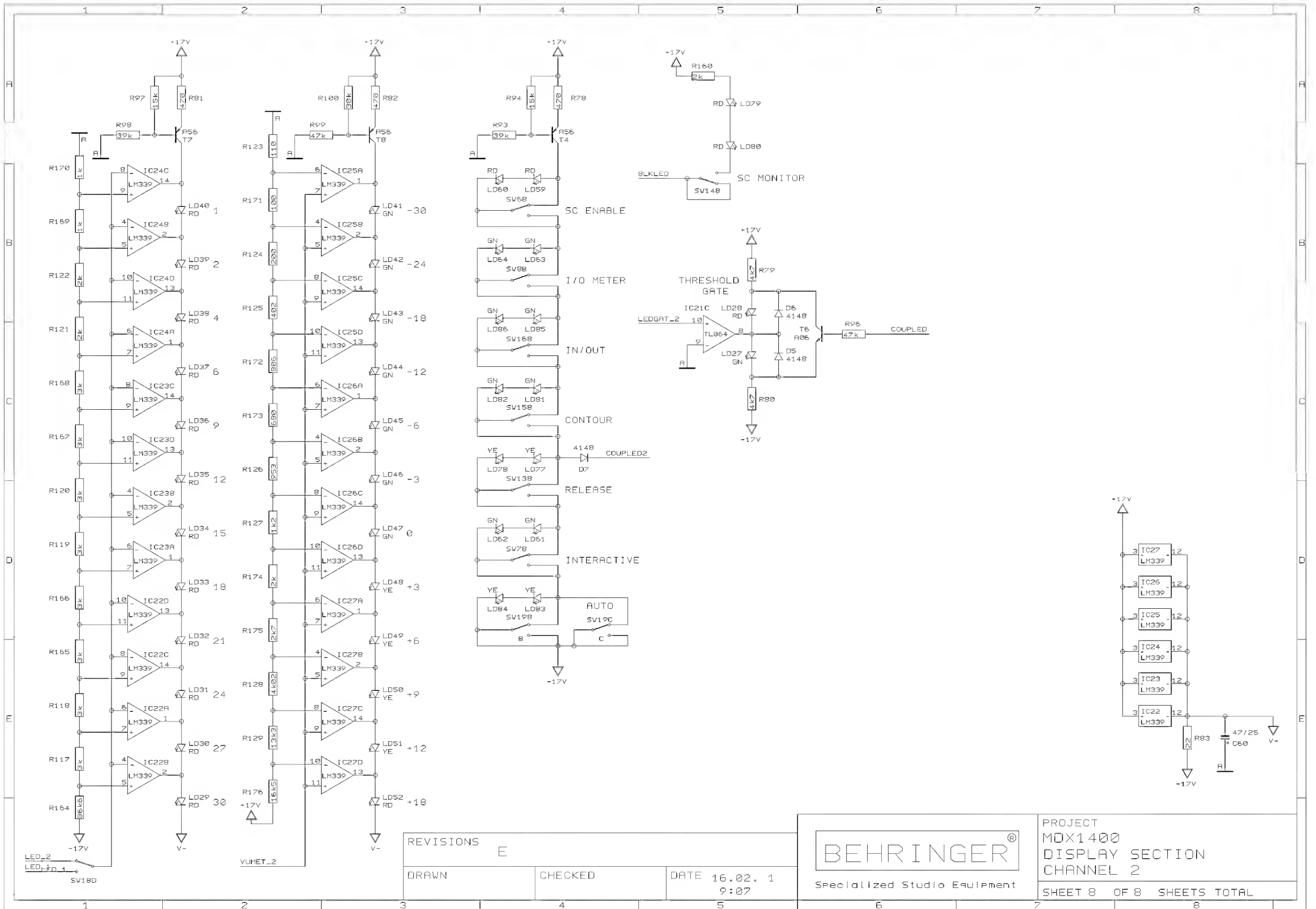
BEHRINGER®

Specialized Studio Equipment

PROJECT
MDX1400

DISPLAY SECTION
CHANNEL 1

SHEET 7 OF 8 SHEETS TOTAL



REVISIONS

E

DRAWN

CHECKED

DATE 16.02. 1
9:07



PROJECT
MDX1400
DISPLAY SECTION
CHANNEL 2

SHEET 8 OF 8 SHEETS TOTAL