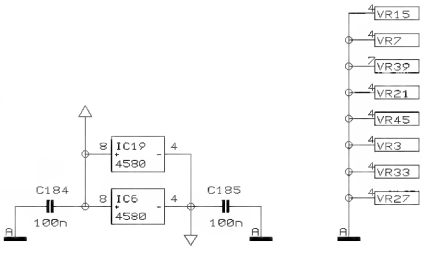
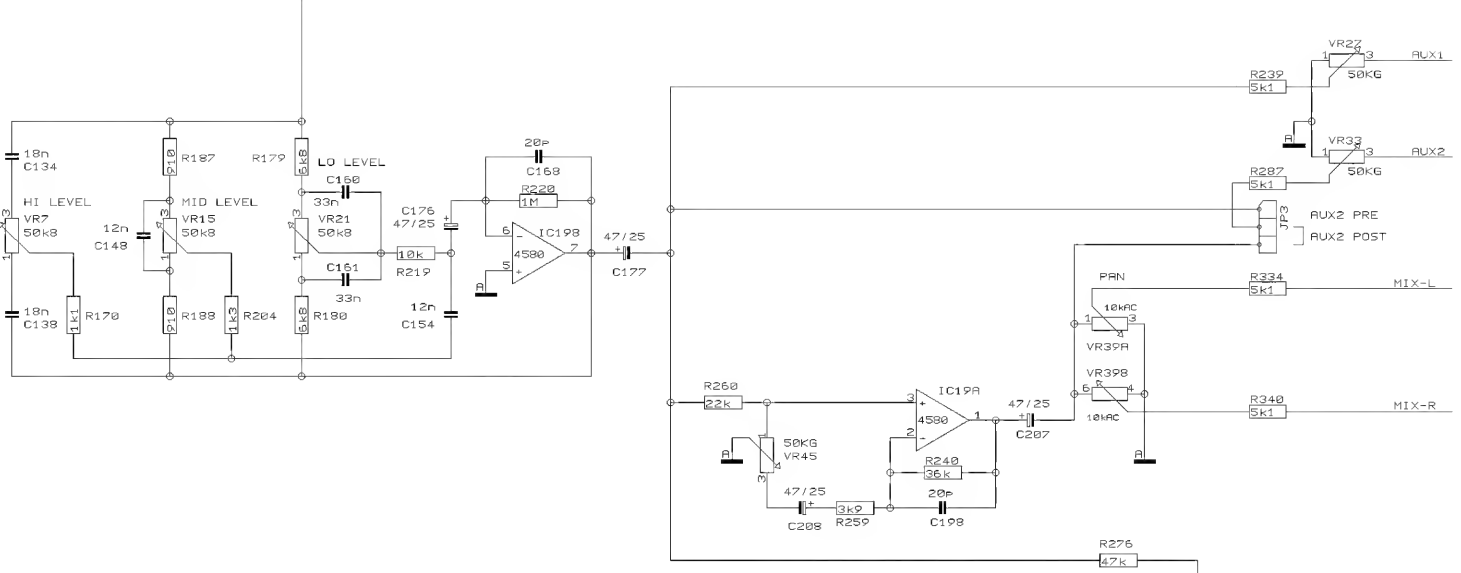
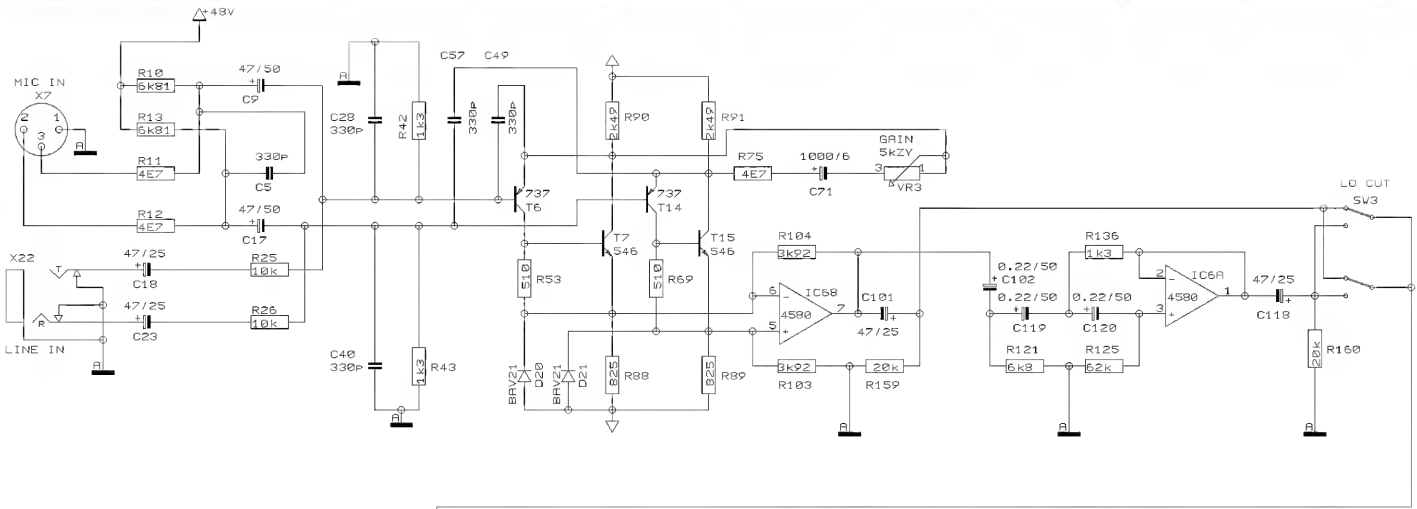


REVISIONS		
C		
DRAWN	CHECKED	DATE 05.02. 14:34



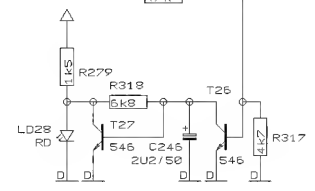
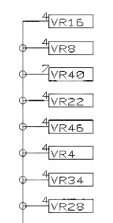
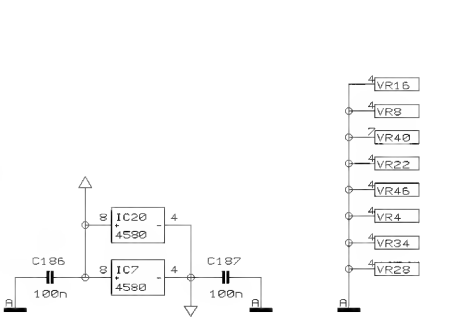
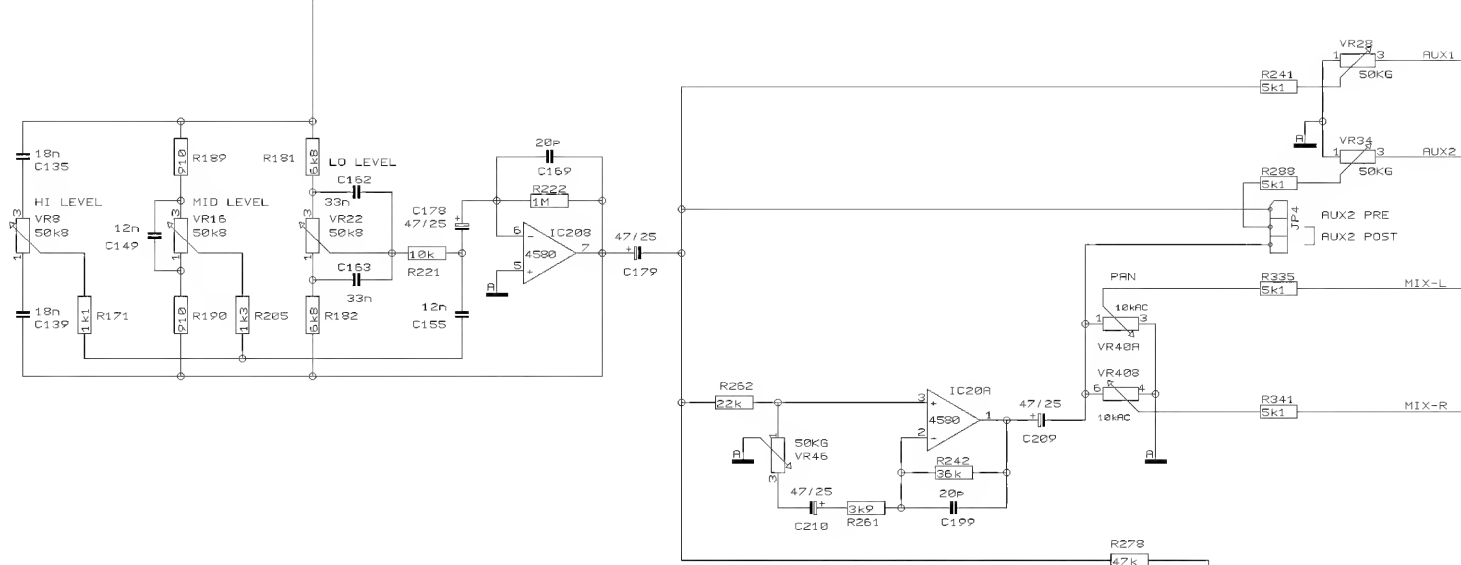
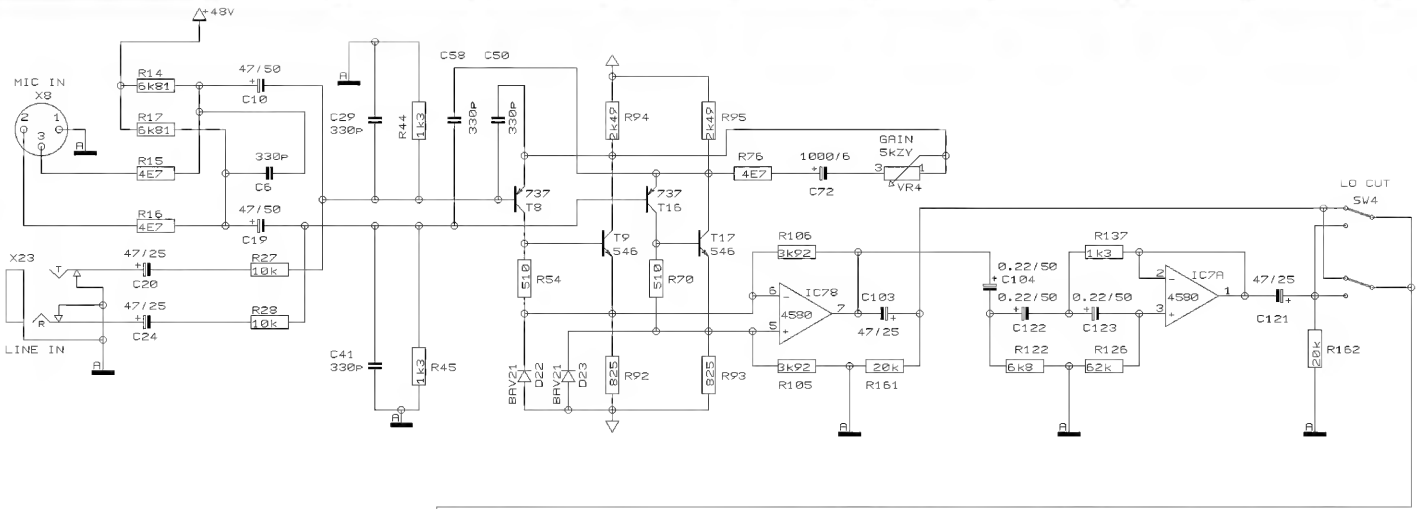
PROJECT
 MX802
 EURORACK MX 802
 MONO CHANNEL 1
 SHEET 1 OF 9 SHEETS TOTAL



REVISIONS C		
DRAWN	CHECKED	DATE 05.02. 14:34



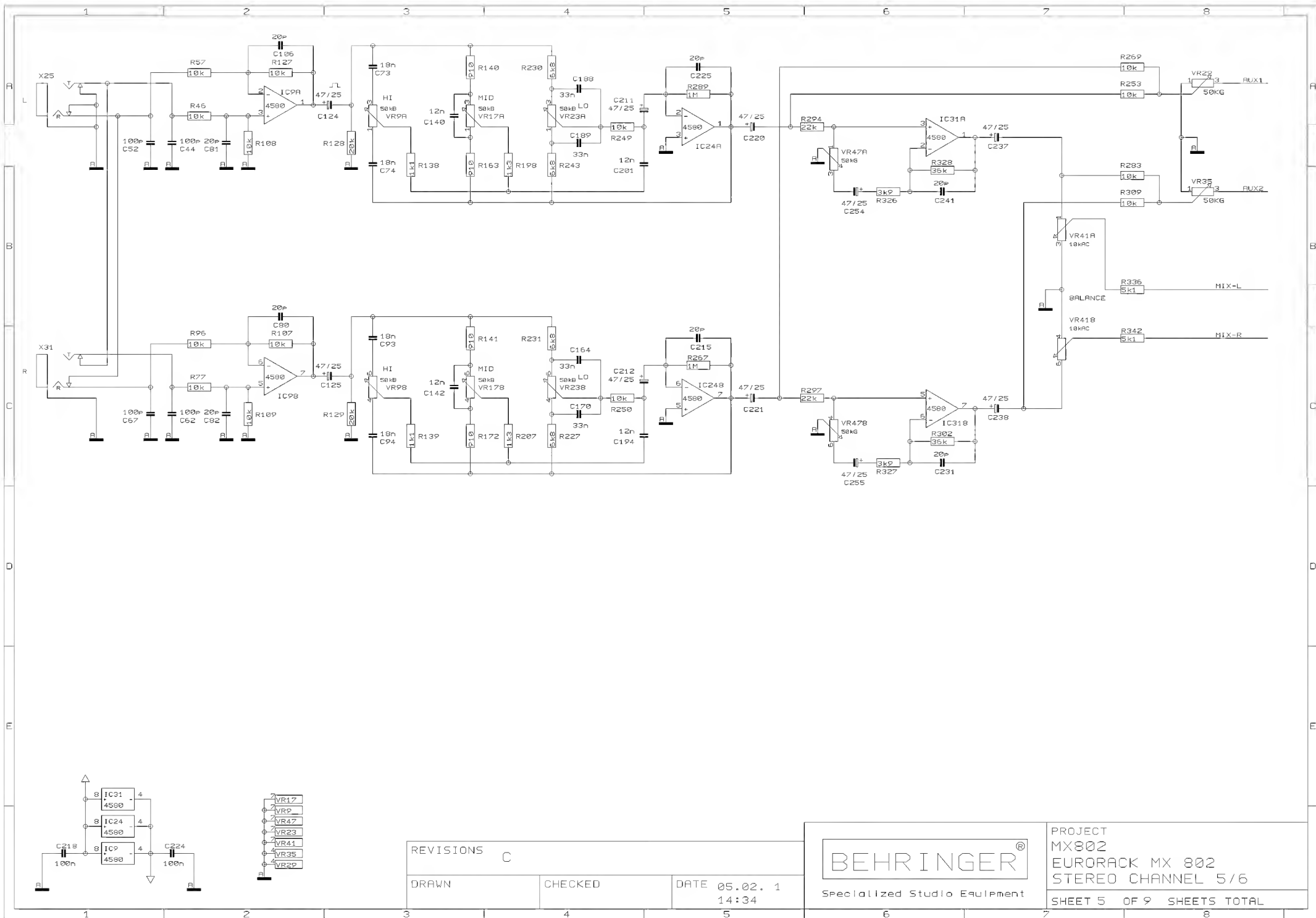
PROJECT
MX802
EURORACK MX 802
MONO CHANNEL 3
SHEET 3 OF 9 SHEETS TOTAL



REVISIONS C		
DRAWN	CHECKED	DATE 05.02. 1 14:34



PROJECT MX802 EURORACK MX 802 MONO CHANNEL 4
SHEET 4 OF 9 SHEETS TOTAL



REVISIONS C

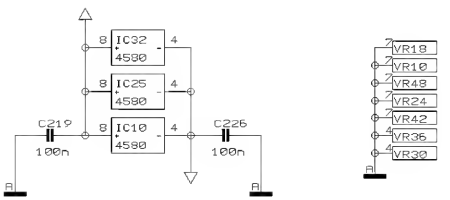
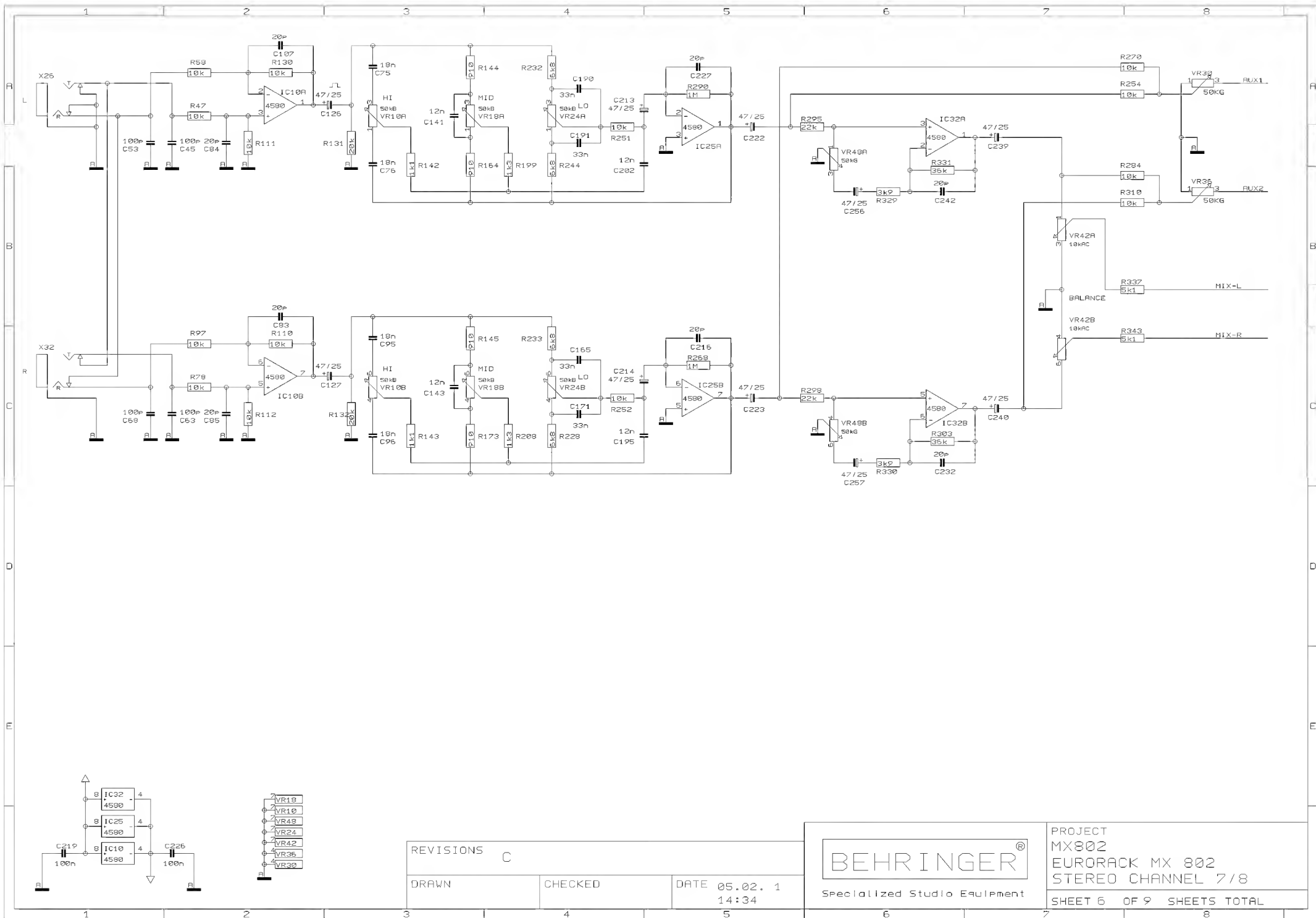
DRAWN

CHECKED

DATE 05.02. 1
14:34



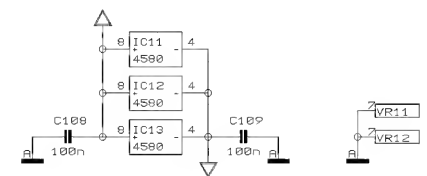
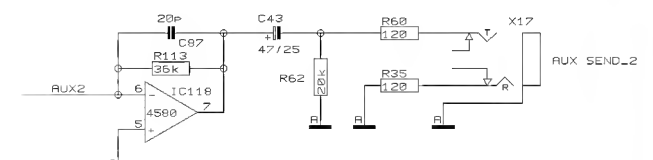
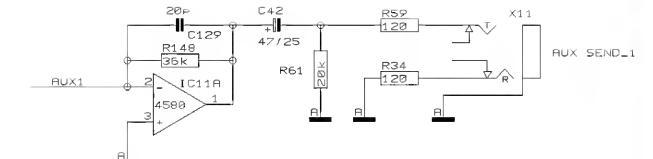
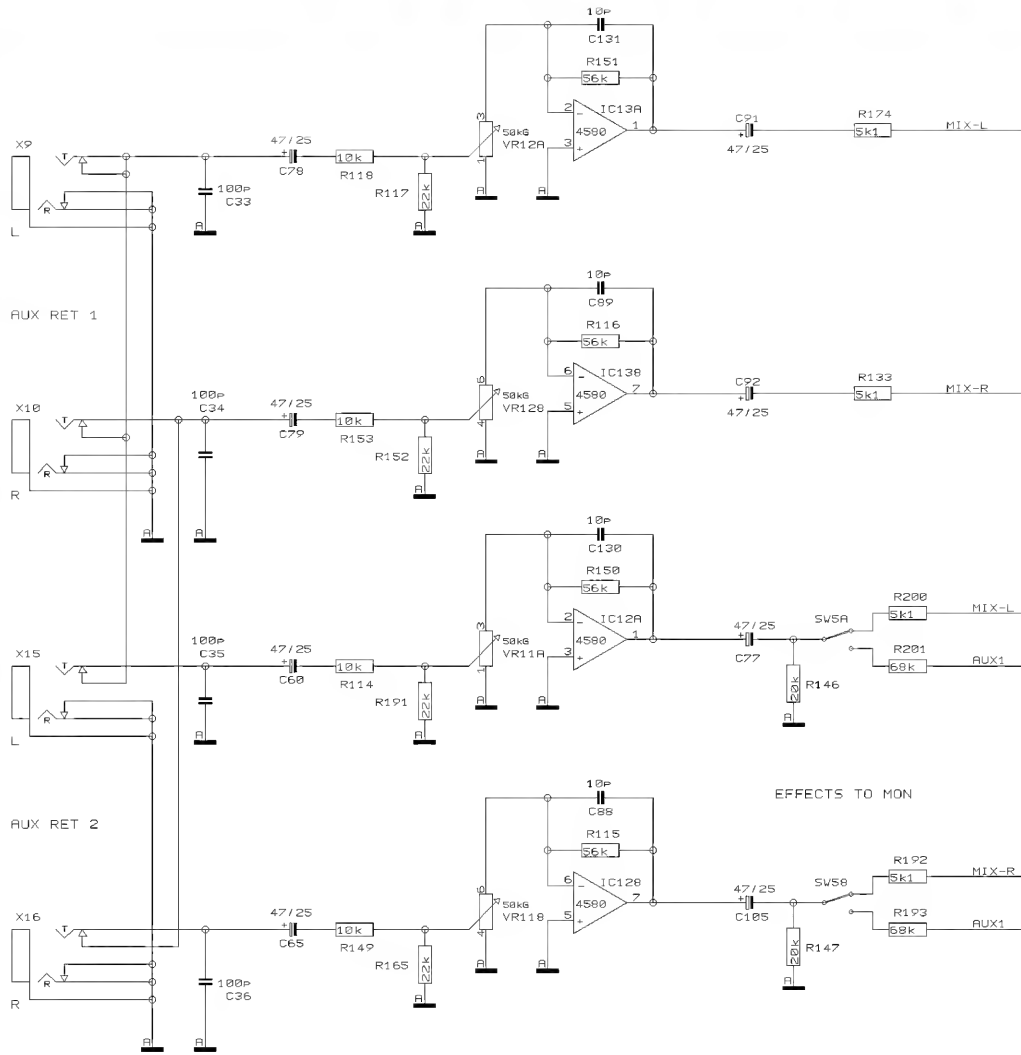
PROJECT
MX802
EURORACK MX 802
STEREO CHANNEL 5/6
SHEET 5 OF 9 SHEETS TOTAL



REVISIONS		C
DRAWN	CHECKED	DATE 05.02. 14:34



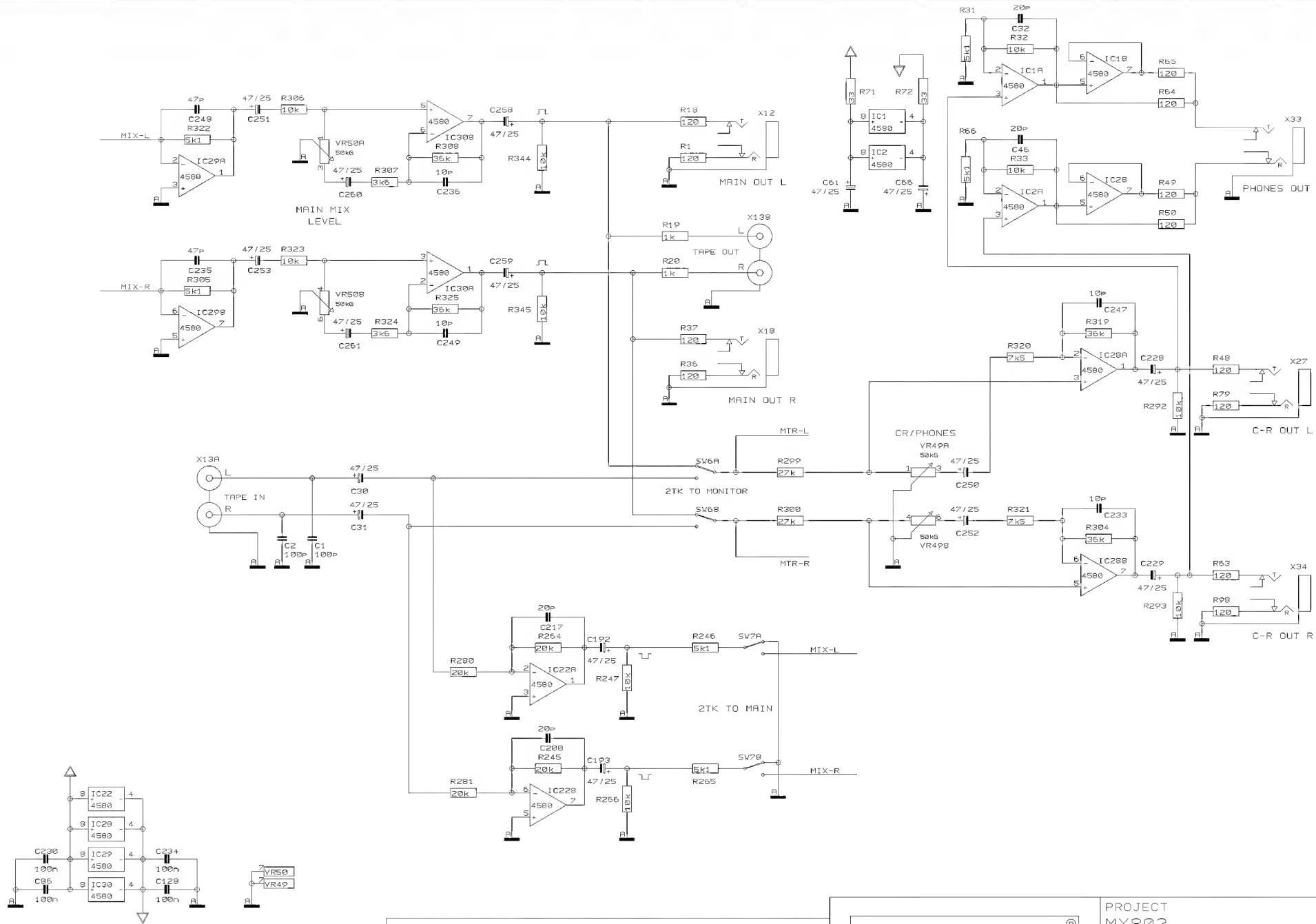
PROJECT
MX802
EURORACK MX 802
STEREO CHANNEL 7/8
SHEET 6 OF 9 SHEETS TOTAL



REVISIONS		
C		
DRAWN	CHECKED	DATE 05.02. 1 14:34



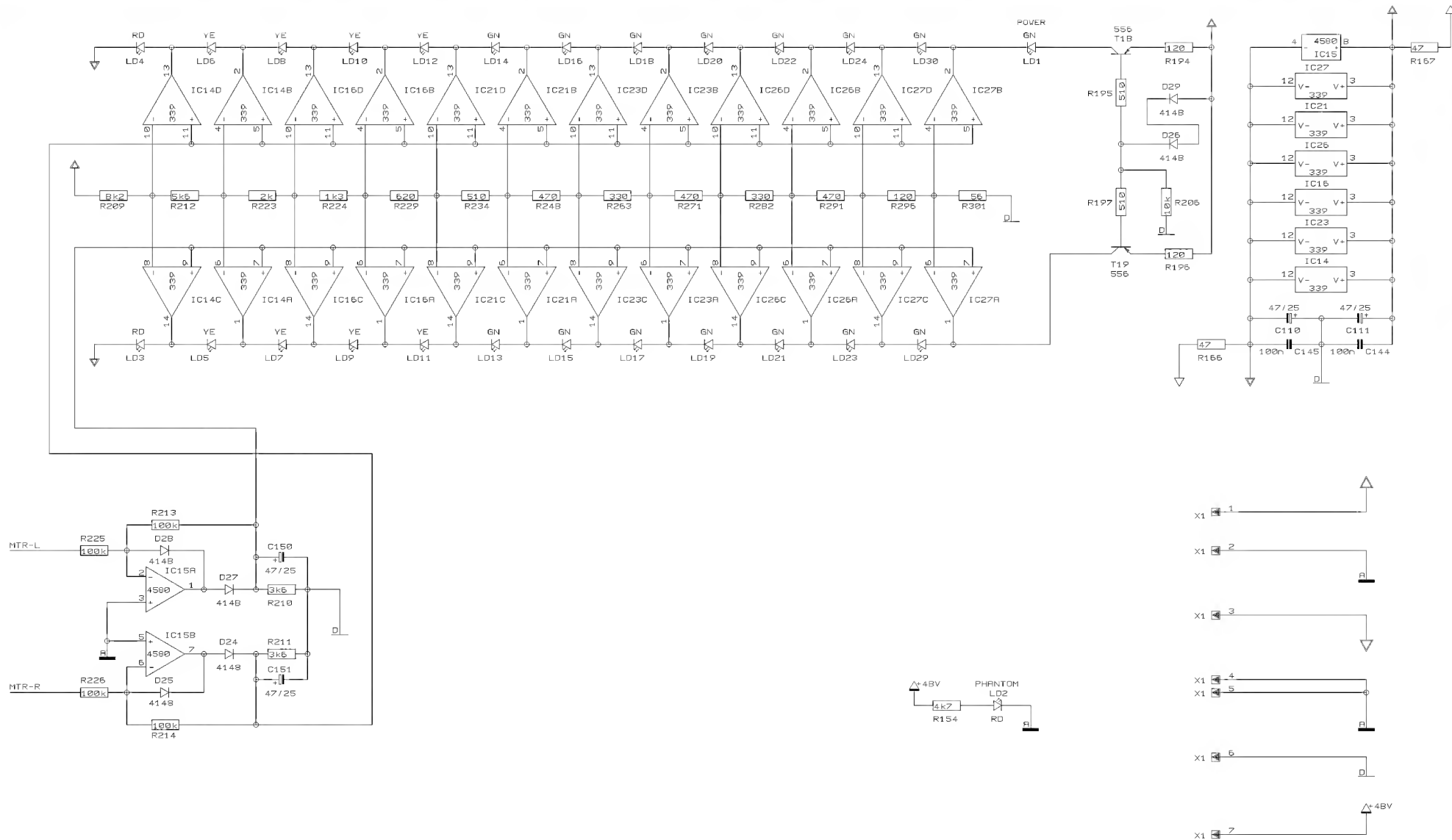
PROJECT
MX802
EURORACK MX 802
AUX SENDS & AUX RETURNS
SHEET 7 OF 9 SHEETS TOTAL



REVISIONS		
C		
DRAWN	CHECKED	DATE 05.02. 1 14:34


 Specialized Studio Equipment

PROJECT	MX802
EURORACK	MX 802
MAIN SECTION	
SHEET 8	OF 9 SHEETS TOTAL



REVISIONS C

DRAWN

CHECKED

DATE 05.02. 1
14:34



PROJECT
MX802
EURORACK MX 802
LED BARS
SHEET 9 OF 9 SHEETS TOTAL