

REVISIONS

E

DRAWN

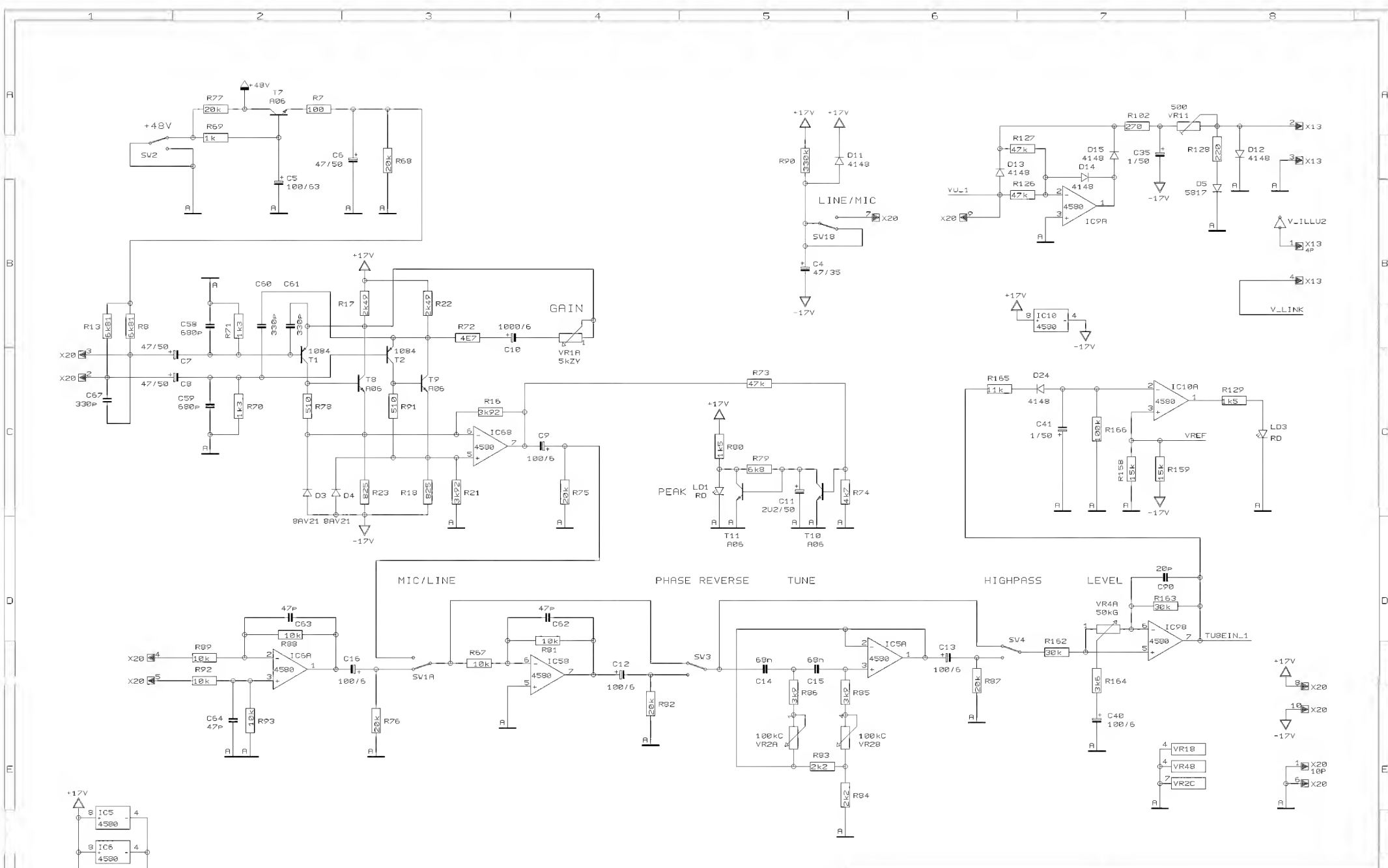
CHECKED

DATE 22.11. 0
10:02

BEHRINGER®

Specialized Studio Equipment

PROJECT
T1953
TUBE ULTRAGAIN
IN/OUT SECTION 1&2
SHEET 1 OF 4 SHEETS TOTAL



REVISIONS

E

DRAWN

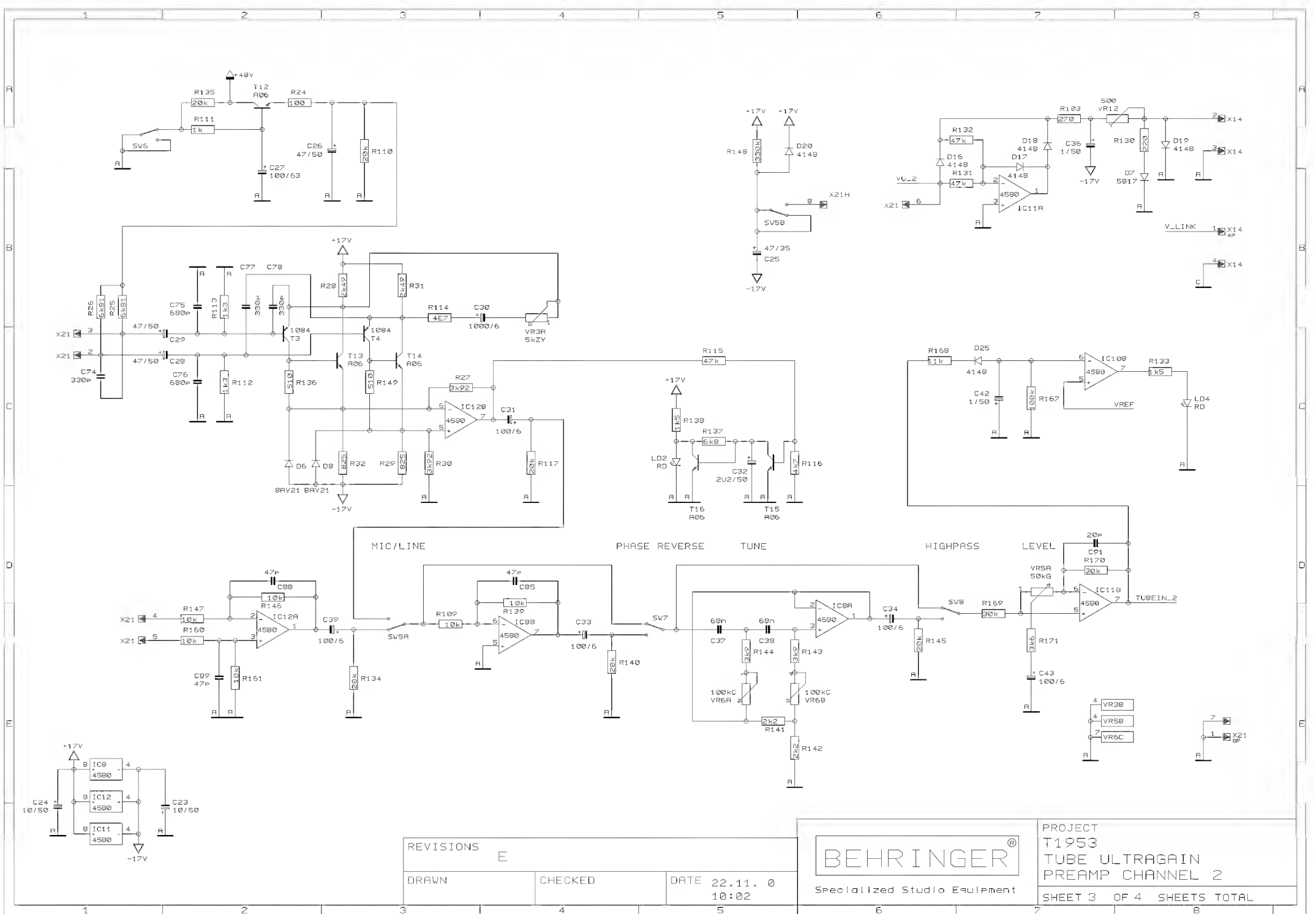
CHECKED

DATE 22.11. 0
10:02



PROJECT
T1953
TUBE ULTRAGAIN
PREAMP CHANNEL 1

SHEET 2 OF 4 SHEETS TOTAL



REVISIONS

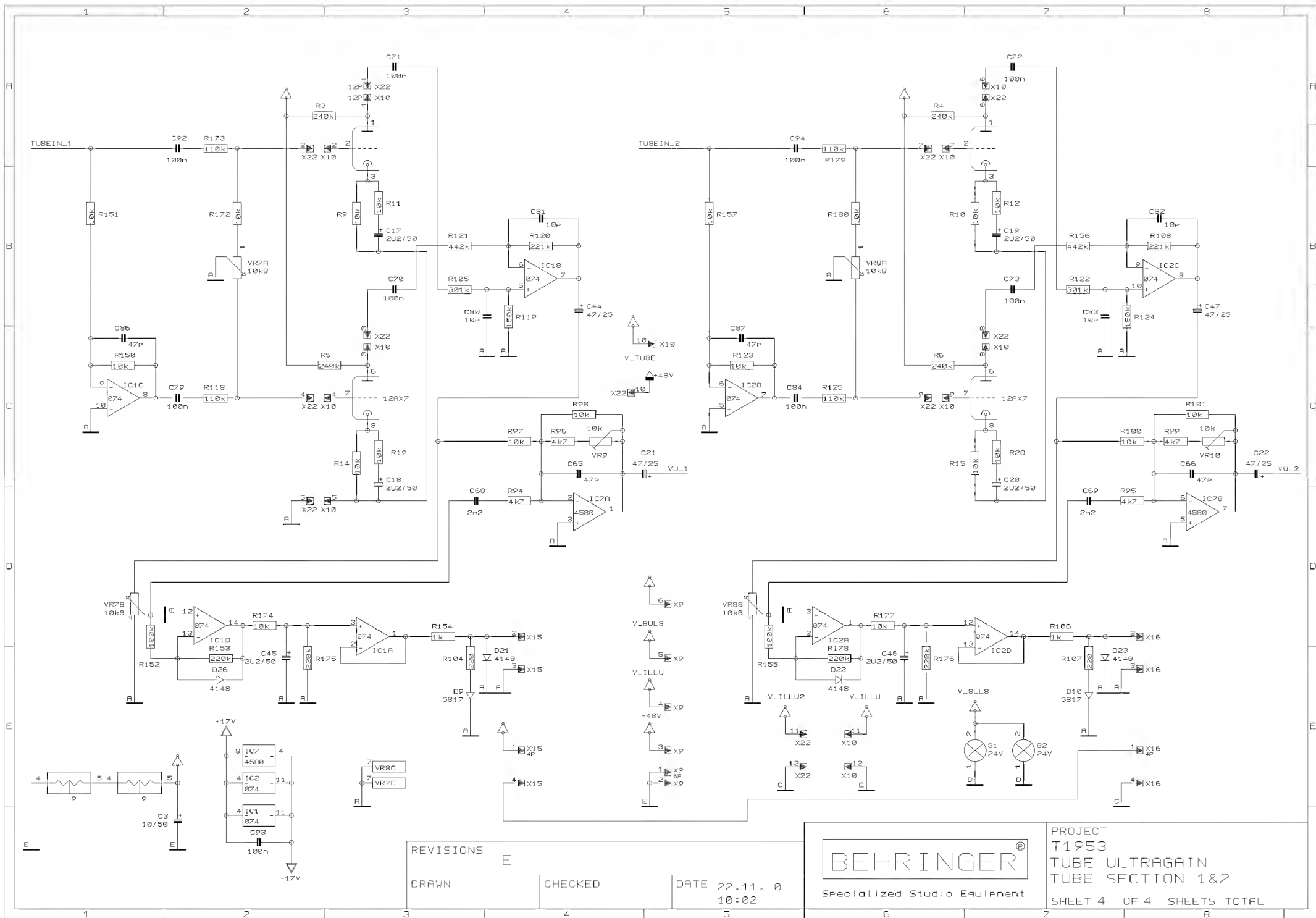
DRAWN

CHECKED

DATE 22.11. 0
10:02



PROJECT
T1953
TUBE ULTRAGAIN
PREAMP CHANNEL 2
SHEET 3 OF 4 SHEETS TOTAL



REVISIONS

E

DRAWN

CHECKED

DATE 22.11. 0
10:02

BEHRINGER®

Specialized Studio Equipment

PROJECT
T1953
TUBE ULTRAGRAIN
TUBE SECTION 1&2

SHEET 4 OF 4 SHEETS TOTAL