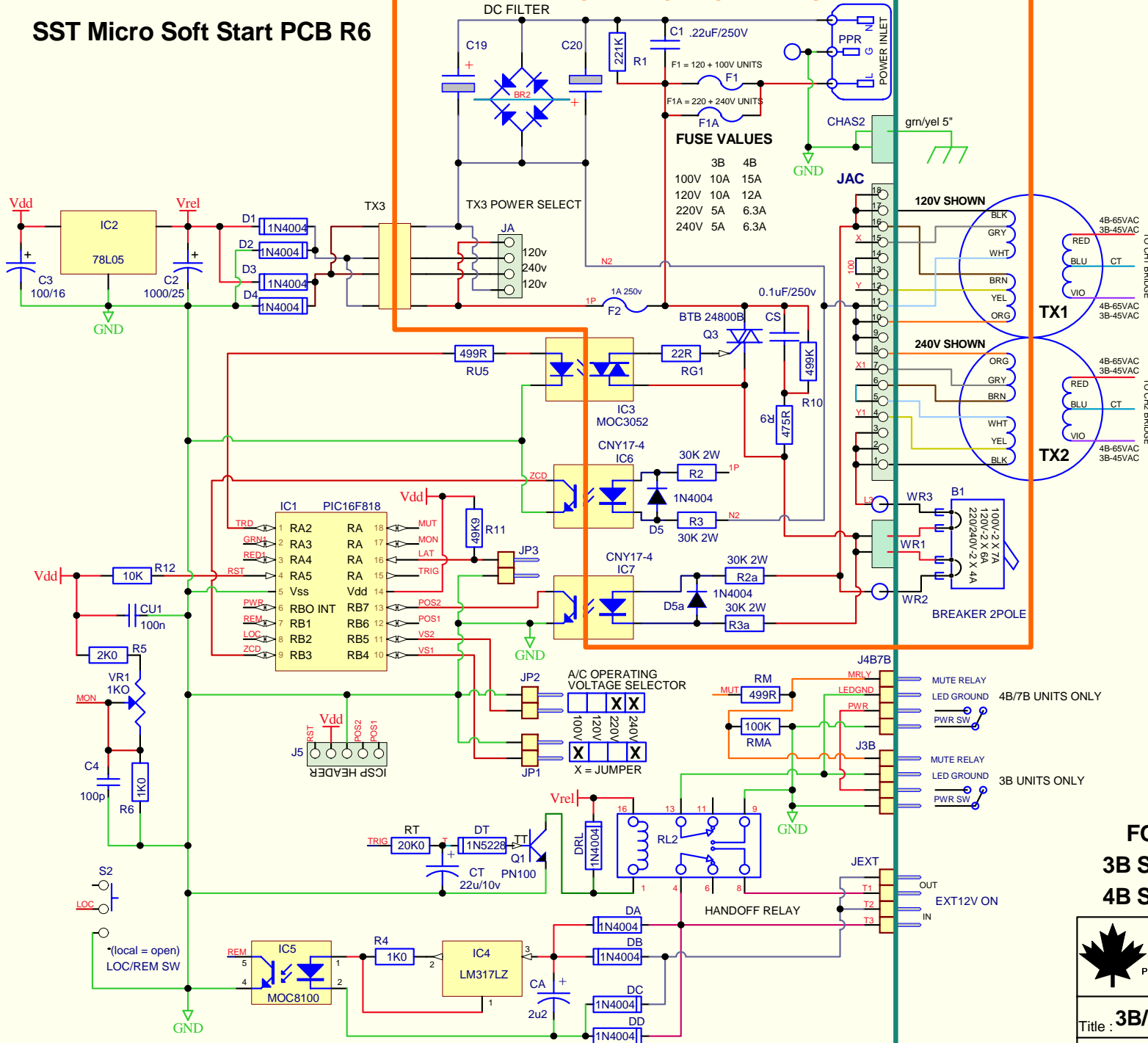


SST Micro Soft Start PCB R6

SAFETY CRITICAL PARTS



FUSE VALUES

	3B	4B
100V	10A	15A
120V	10A	12A
220V	5A	6.3A
240V	5A	6.3A

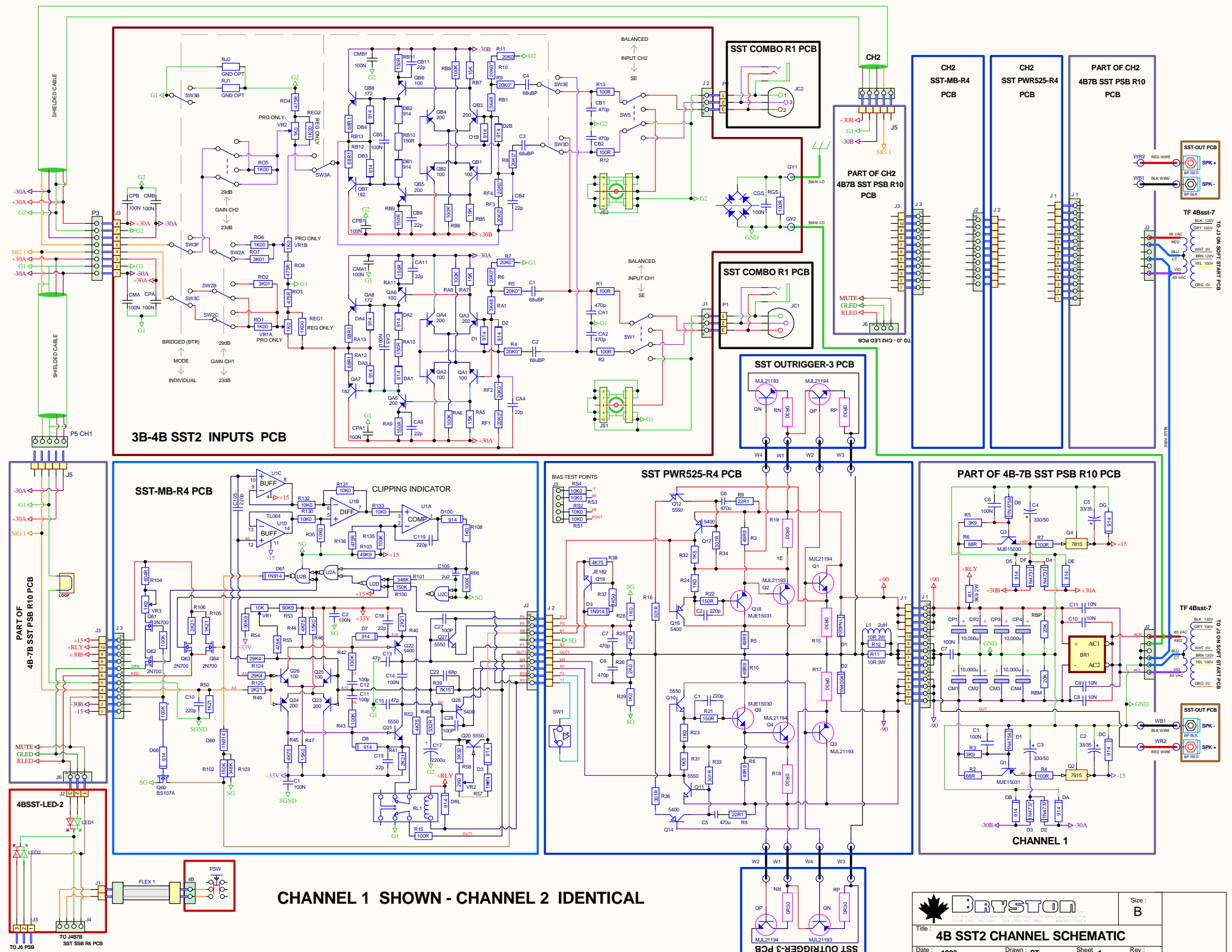
JAC VOLTAGE SELECT

240V	220V	PIN	120V	100V	
ORG	YEL	17	ORG	YEL	TX1
NC	NC	16	WH	GRY	
YEL	ORG	15	YEL	ORG	
BRN	BRN	14	NC	NC	
WHT	WH	13	NC	NC	
GRY	GRY	12	GRY	WH	TX2
NC	NC	11	BRN	BRN	
BLK	BLK	10	BLK	BLK	
ORG	YEL	9	ORG	YEL	
NC	NC	8	WH	GRY	
YEL	ORG	7	YEL	ORG	TX3
BRN	BRN	6	NC	NC	
WHT	WH	5	NC	NC	
GRY	GRY	4	GRY	WH	
NC	NC	3	BRN	BRN	
BLK	BLK	2	BLK	BLK	

4B USE (2) TF 4BSST-7 PLITRON
3B USE (2) TF 3BSST-4 PLITRON

**FOR AUDIO SECTION SEE
3B SST2 CHANNEL SCHEMATIC
4B SST2 CHANNEL SCHEMATIC**





CHANNEL 1 SHOWN - CHANNEL 2 IDENTICAL

		Size : B
Title : 4B SST2 CHANNEL SCHEMATIC		
Date : 1003	Drawn : ST	Sheet 1 Rev :