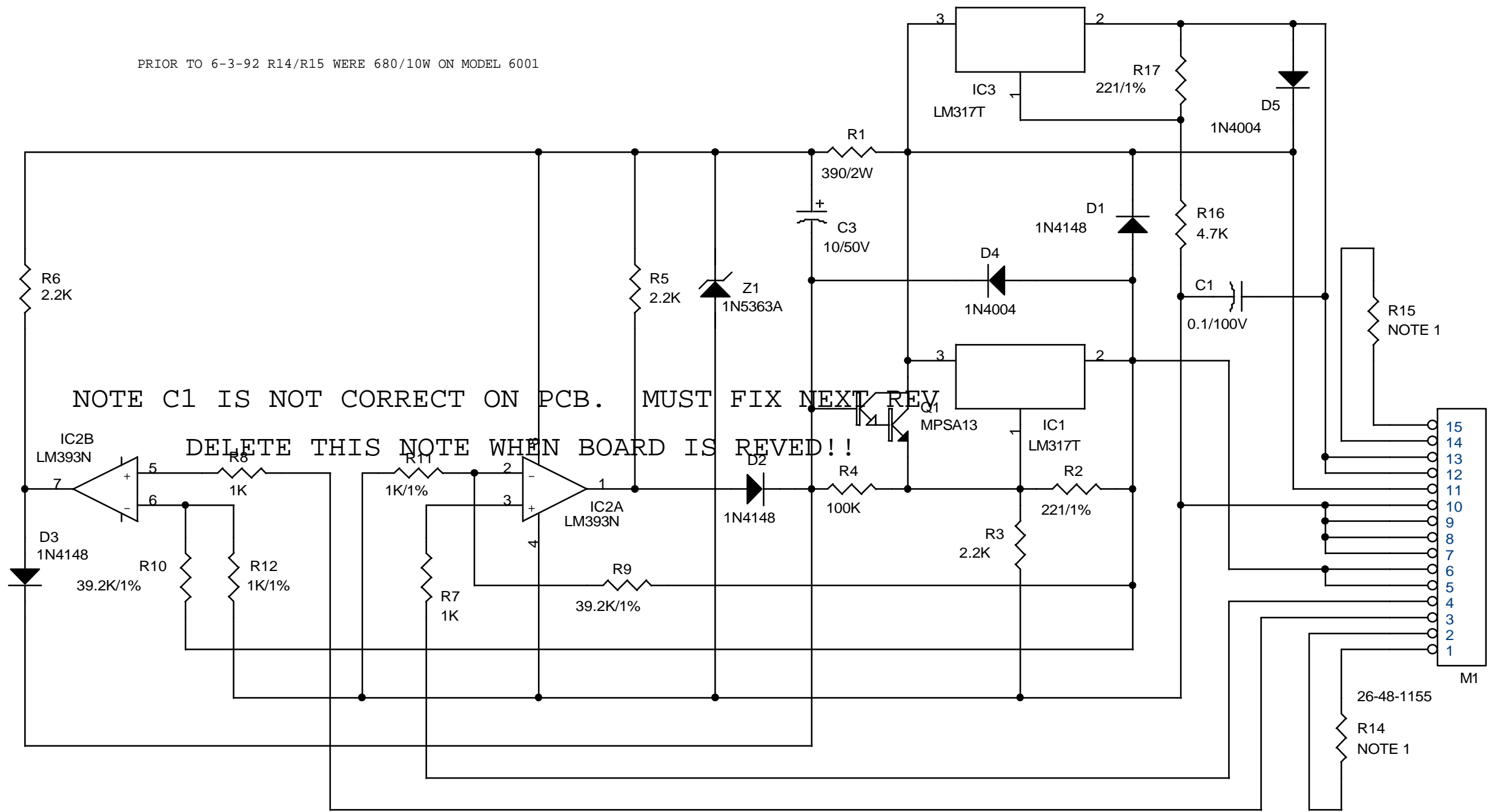


PRIOR TO 6-3-92 R14/R15 WERE 680/10W ON MODEL 6001



NOTE C1 IS NOT CORRECT ON PCB. MUST FIX NEXT REV.
 DELETE THIS NOTE WHEN BOARD IS REVED!!

NOTE 1: 680/10W ON 7001
 620/10W ON 6001
 1K/10W ON 3301
 1.1K/10W ON 4601

CREST AUDIO INC.
 150 Florence Ave.
 Hawthorne, NJ 07506
 Title: 7001/6001/4601/3301 FAN DRIVER

Size	Document Number	Rev
A	21A0952	

Date: Wednesday, May 17, 2000 Sheet 1 of 1