

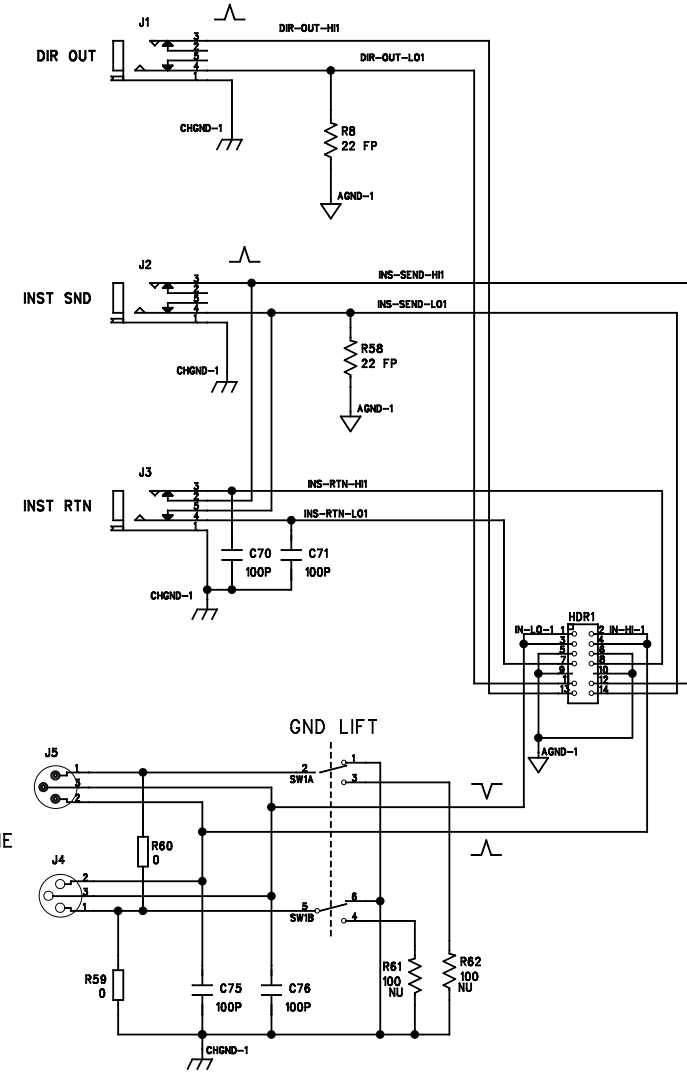
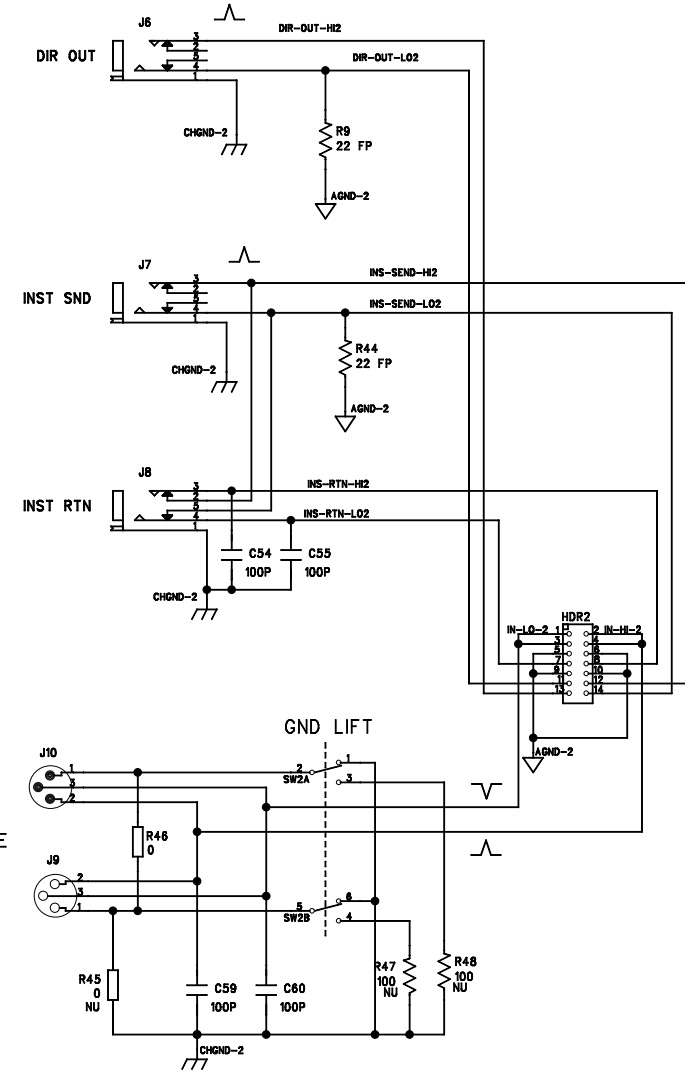
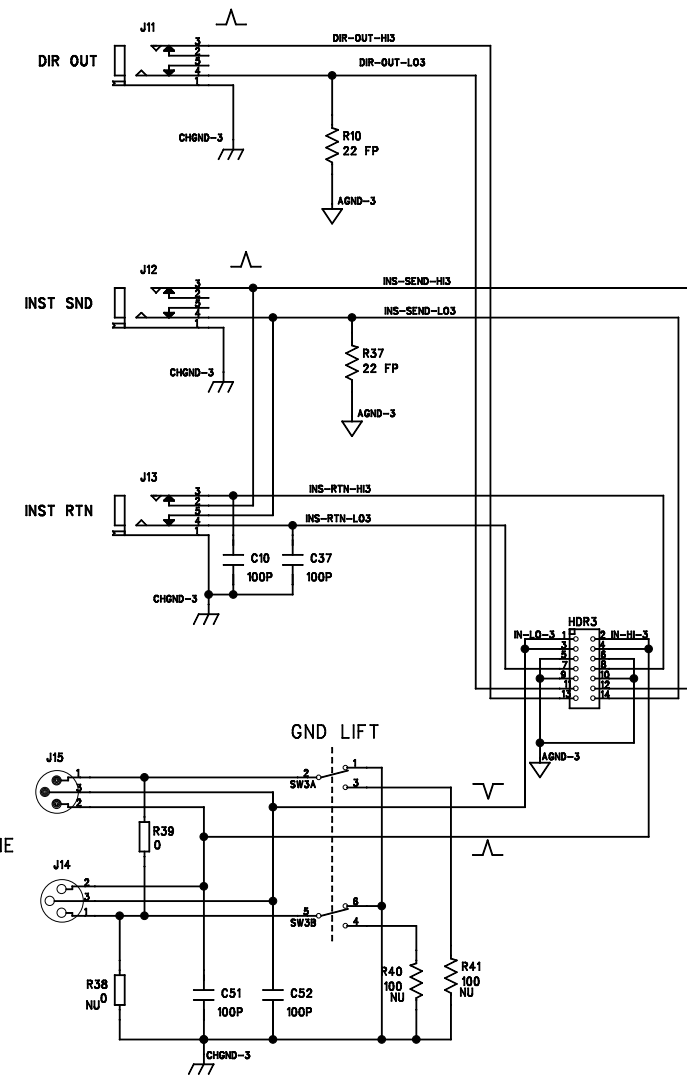
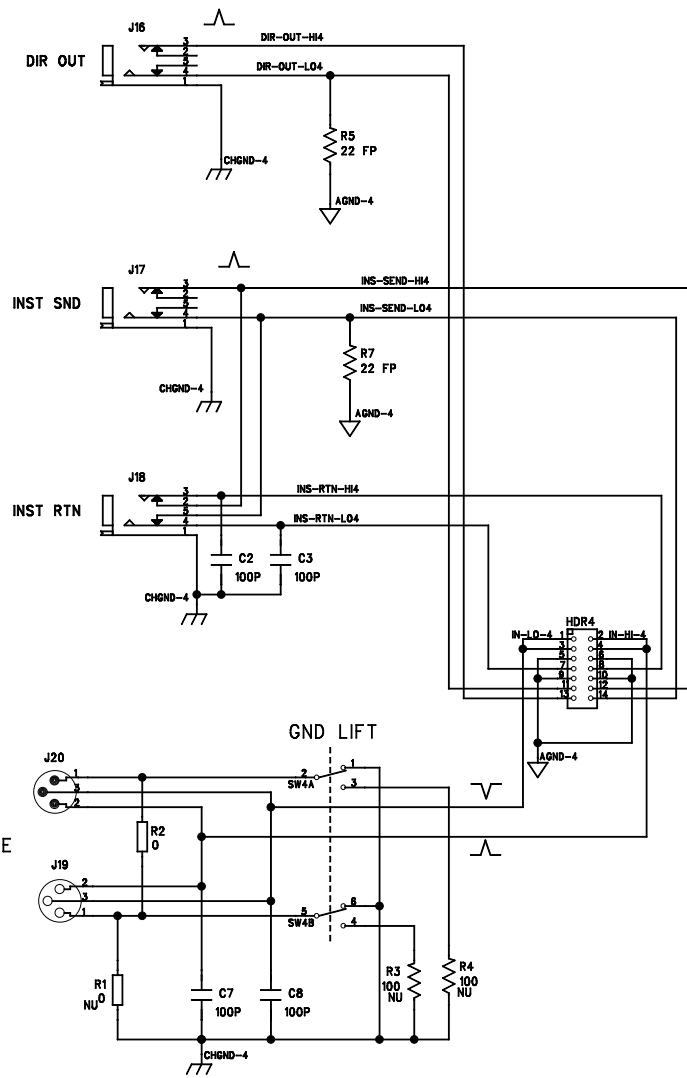
REVISION RECORD			
LTR	ECO NO.	APPROVED:	DATE:

CHANNEL 4

CHANNEL 3

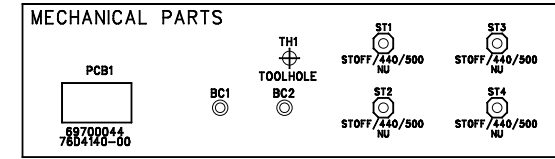
CHANNEL 2

CHANNEL 1



REVISION RECORD

REV LEVEL	ASMBLY LEVEL	DATE	ECO	ENG.	DESCRIPTION
A	A			RI	PROTOTYPE RELEASE
B	A	5/21/99	DC0987	TAZ	MOVE LOCATION OF SUPPORT PCB FIXING HOLES ST1 AND ST2
B	B	6/4/99	DC0996	TAZ	REMOVE R1, R38, R45, R59 FROM FSHIFT BOM (SHOULD NOT HAVE BEEN IMPORTED)
00	A	6/30/99		TAZ	SILKSCREEN CHNAGED TO REFLECT REV00, NO COPPER CHANGE.



COMPANY: **CREST AUDIO**

TITLE: **X-MONITOR INPUT CONNECTOR PCB**

ORG DRAWN: RI DATED: FEB 98

CHECKED: JP DATED: 13 JAN 99

CUR REV DRAWN: TAZ DATED: MAY 99

RELEASED: DATED:

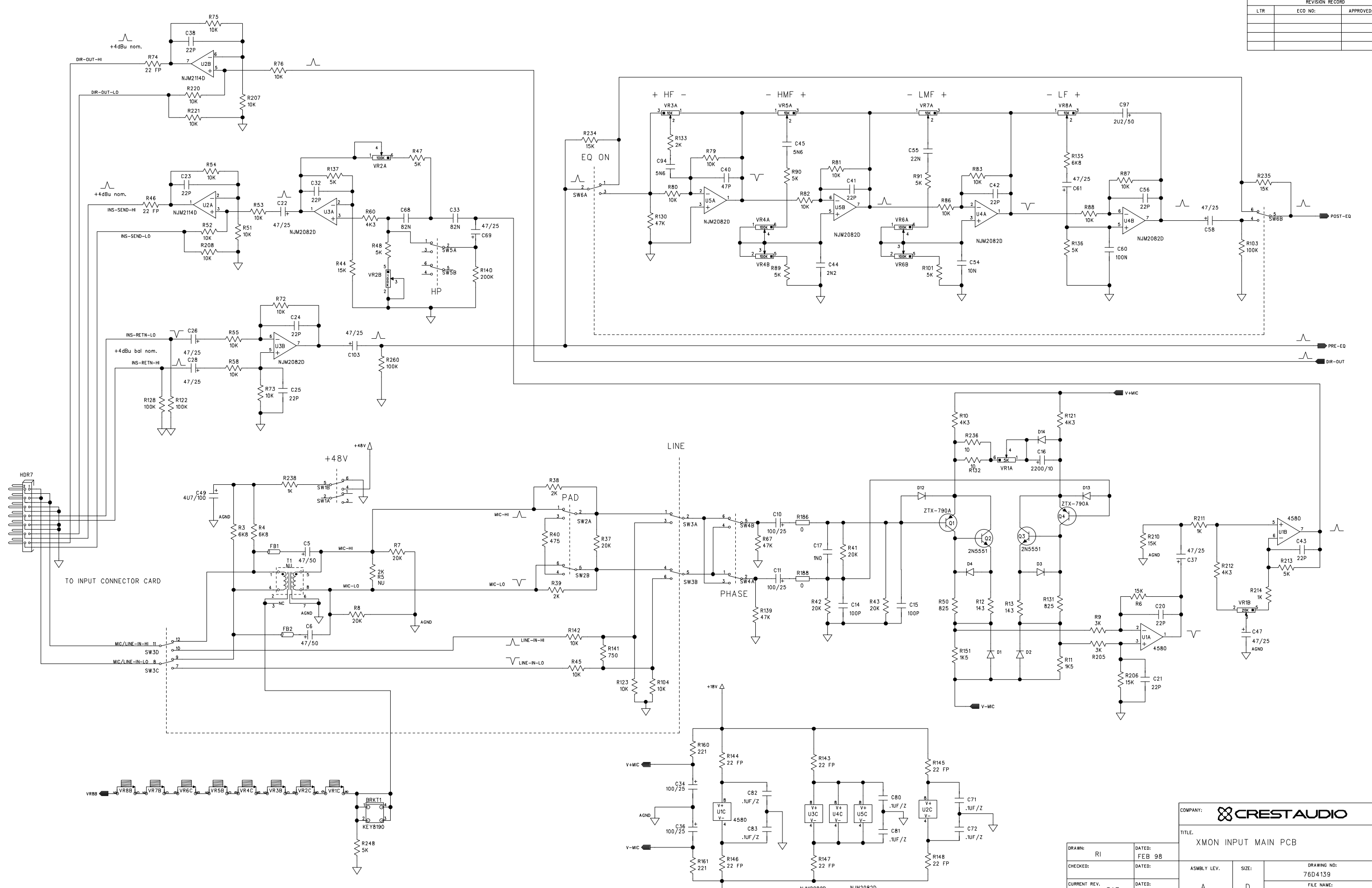
ASSEMBLY LEV: **A** SIZE: **D**

DRAWING NO: **76D4140** REV: **00**

FILE NAME: **XMINPCNO.SCH**

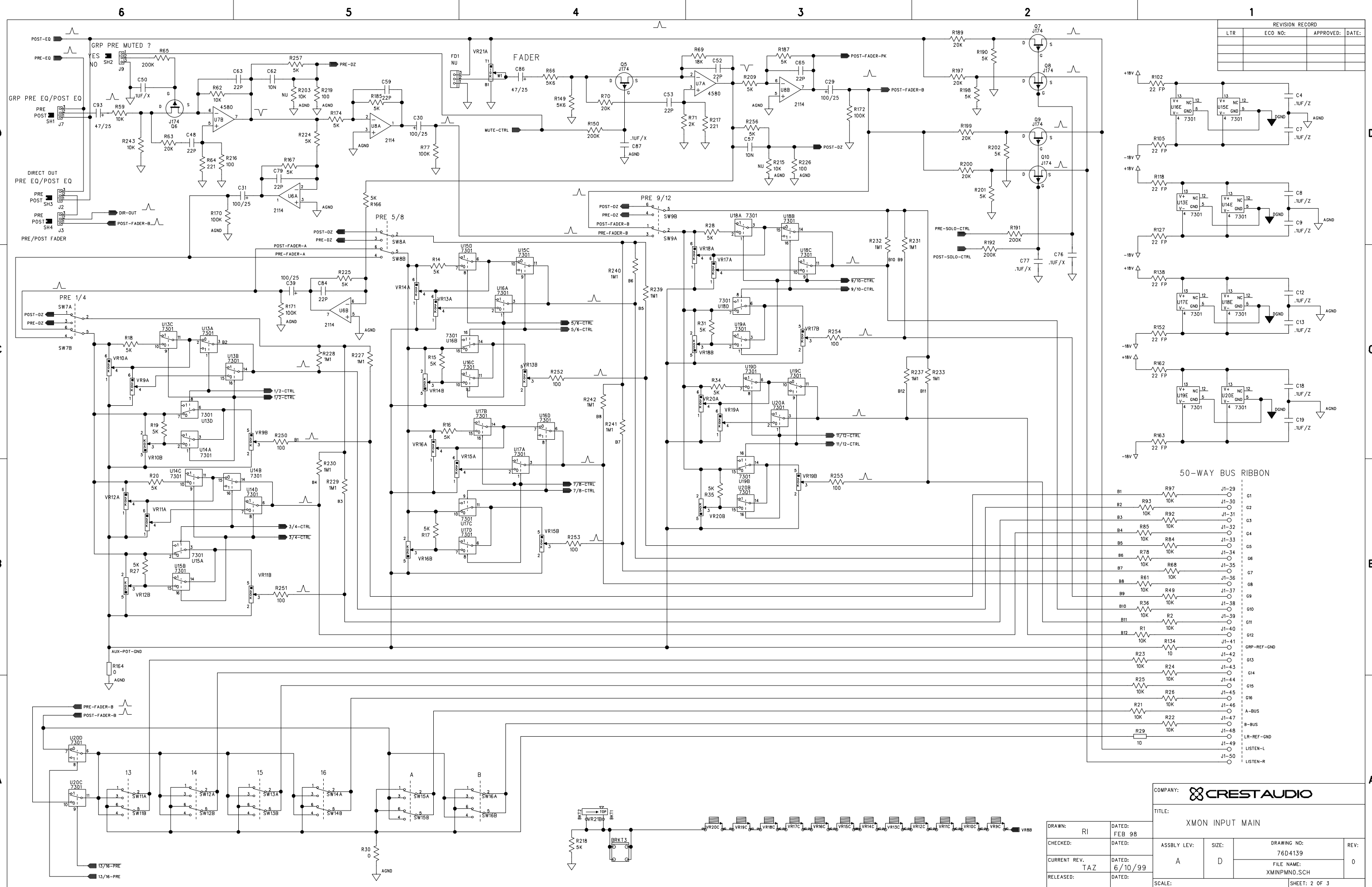
SCALE: SHEET: 1 OF 1

REVISION RECORD			
LTR	ECO NO:	APPROVED:	DATE:



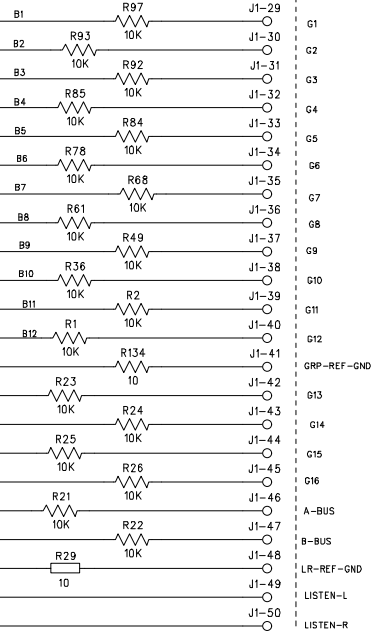
COMPANY: <b>CRESTAUDIO</b>		TITLE: <b>XM0N INPUT MAIN PCB</b>	
DRAWN: <b>R1</b>	DATED: <b>FEB 98</b>	ASSEMBLY LEV.:	SIZE: <b>D</b>
CHECKED:	DATED:	DRAWING NO: <b>76D4139</b>	REV: <b>0</b>
CURRENT REV.:	DATED: <b>6/10/99</b>	FILE NAME: <b>XM0NPMNO.SCH</b>	
RELEASED:	DATED:	SCALE:	SHEET: 1 OF 3

DRAWN: <b>R1</b>	DATED: <b>FEB 98</b>
CHECKED:	DATED:
CURRENT REV.:	DATED: <b>6/10/99</b>
RELEASED:	DATED:



REVISION RECORD			
LTR	ECO NO:	APPROVED:	DATE:

50-WAY BUS RIBBON

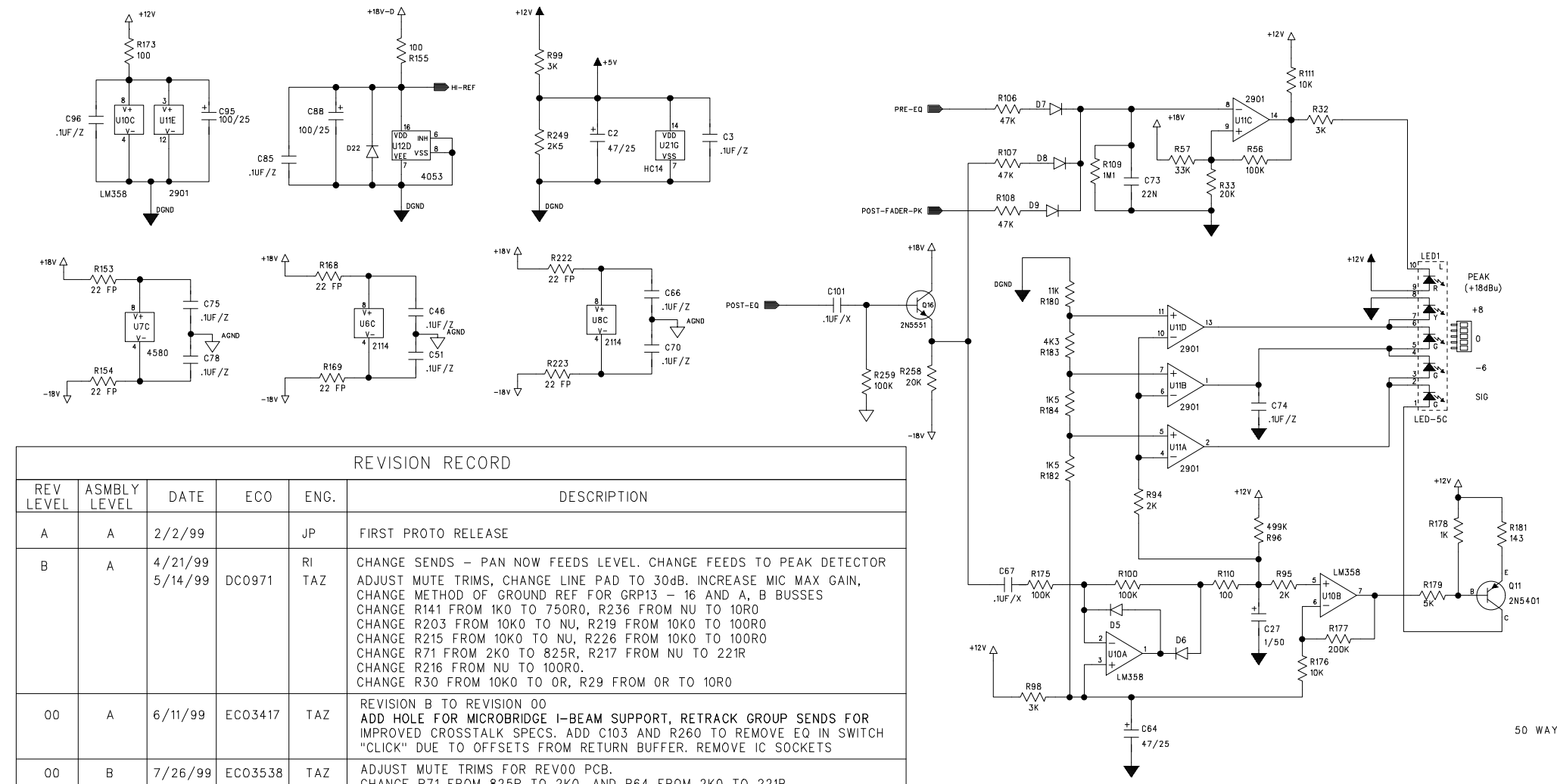
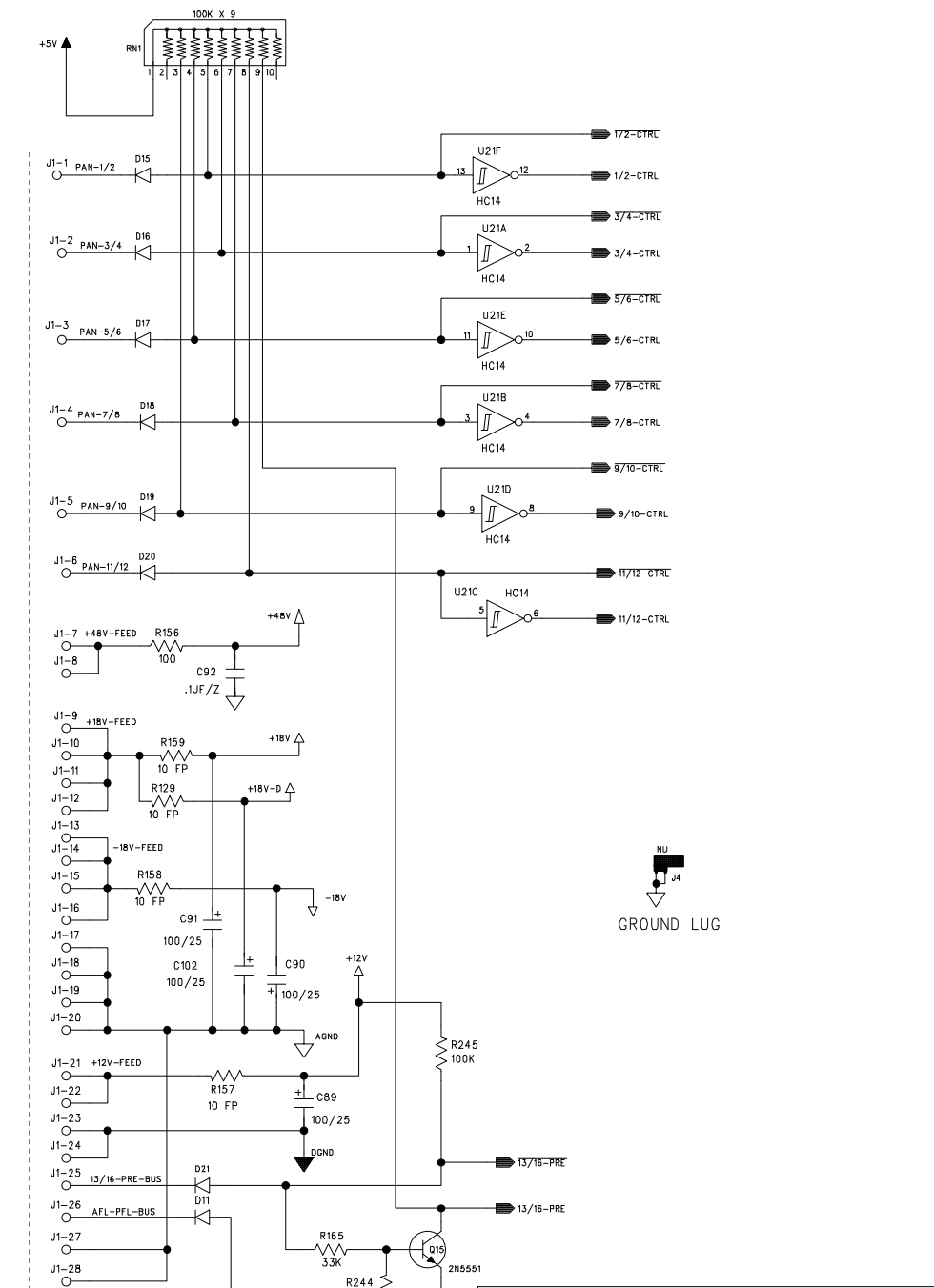
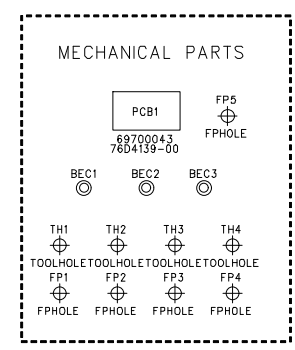
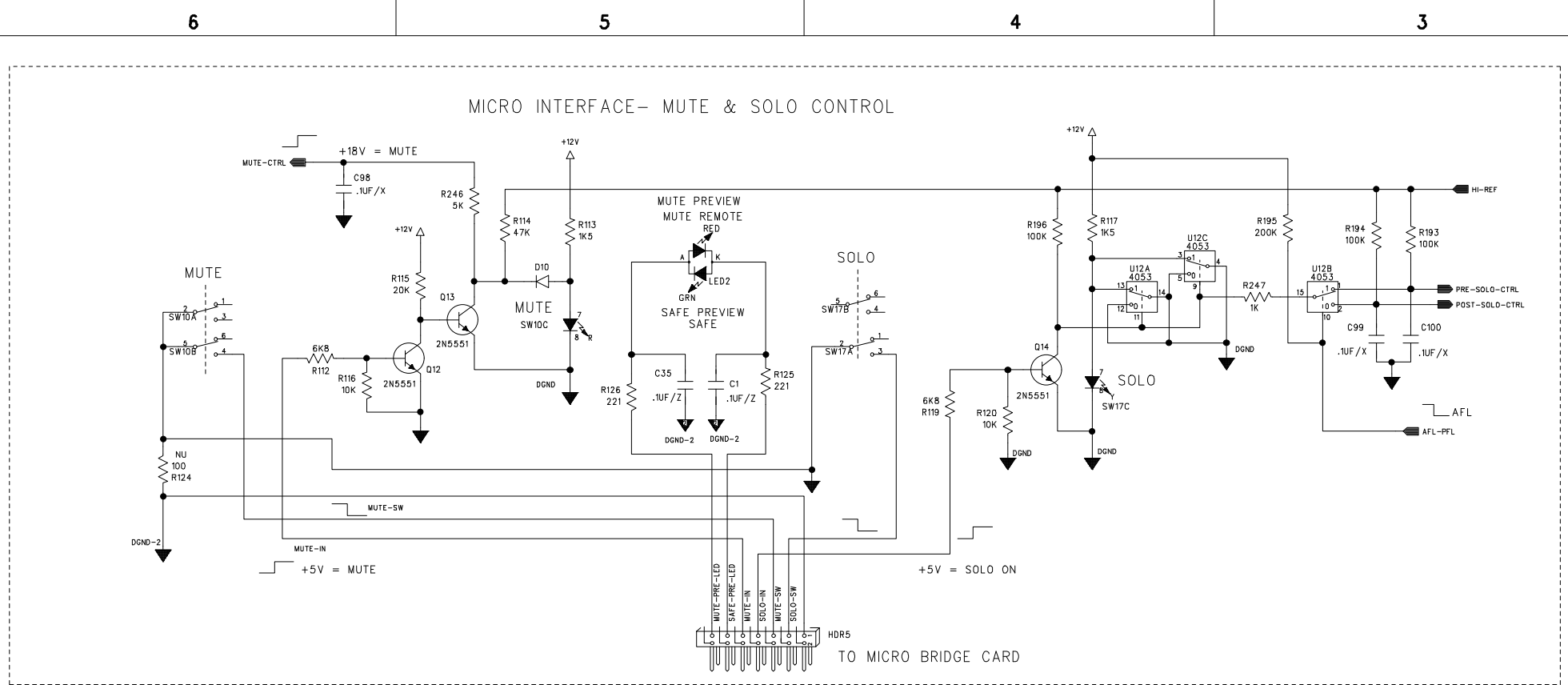


COMPANY: **CRESTAUDIO**

TITLE: **XMON INPUT MAIN**

DRAWN: RI	DATED: FEB 98	ASSEMBLY LEV: A	SIZE: D	DRAWING NO: 7604139	REV: 0
CHECKED: TAZ	DATED: 6/10/99	FILE NAME: XMINPMNO.SCH	SHEET: 2 OF 3		
RELEASED:	DATED:	SCALE:			

REVISION RECORD			
LTR	ECO NO:	APPROVED:	DATE:



REVISION RECORD					
REV LEVEL	ASMBLY LEVEL	DATE	ECO	ENG.	DESCRIPTION
A	A	2/2/99		JP	FIRST PROTO RELEASE
B	A	4/21/99 5/14/99	DC0971	RI TAZ	CHANGE SENDS - PAN NOW FEEDS LEVEL. CHANGE FEEDS TO PEAK DETECTOR ADJUST MUTE TRIMS, CHANGE LINE PAD TO 30dB. INCREASE MIC MAX GAIN, CHANGE METHOD OF GROUND REF FOR GRP13 - 16 AND A, B BUSES CHANGE R141 FROM 1K0 TO 750R0, R236 FROM NU TO 10R0 CHANGE R203 FROM 10K0 TO NU, R219 FROM 10K0 TO 100R0 CHANGE R215 FROM 10K0 TO NU, R226 FROM 10K0 TO 100R0 CHANGE R71 FROM 2K0 TO 825R, R217 FROM NU TO 221R CHANGE R216 FROM NU TO 100R0. CHANGE R30 FROM 10K0 TO 0R, R29 FROM 0R TO 10R0
00	A	6/11/99	ECO3417	TAZ	REVISION B TO REVISION 00 ADD HOLE FOR MICROBRIDGE I-BEAM SUPPORT, RETRACK GROUP SENDS FOR IMPROVED CROSSTALK SPECS. ADD C103 AND R260 TO REMOVE EQ IN SWITCH "CLICK" DUE TO OFFSETS FROM RETURN BUFFER. REMOVE IC SOCKETS
00	B	7/26/99	ECO3538	TAZ	ADJUST MUTE TRIMS FOR REV00 PCB. CHANGE R71 FROM 825R TO 2K0, AND R64 FROM 2K0 TO 221R
00	C	5/24/00	3918	SLAV	CHANGE R160, R161 FROM 475R TO 221R TO DECREASE MIC PRE DIST AT LOW POWER SUPPLY VOLTAGE

COMPANY: **CRESTAUDIO**

TITLE: **XMON INPUT MAIN**

ORG DRAWN: R1 DATED: FEB 98

CHECKED: TAZ DATED: 6/10/99

CUR REV DRAWN: TAZ DATED: 6/10/99

RELEASED: DATED:

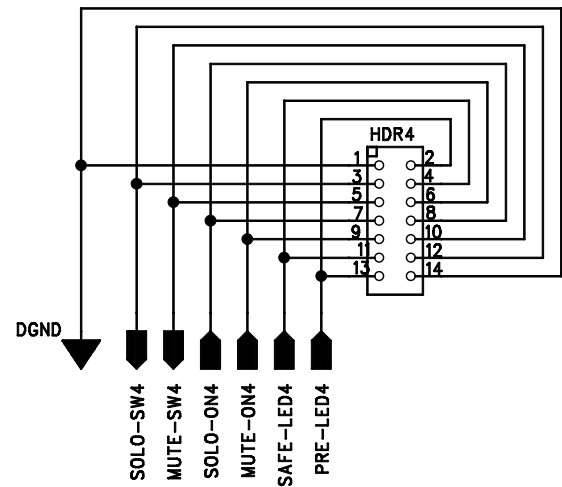
ASSBY LEV: A SIZE: D

DRAWING NO: 76D4139

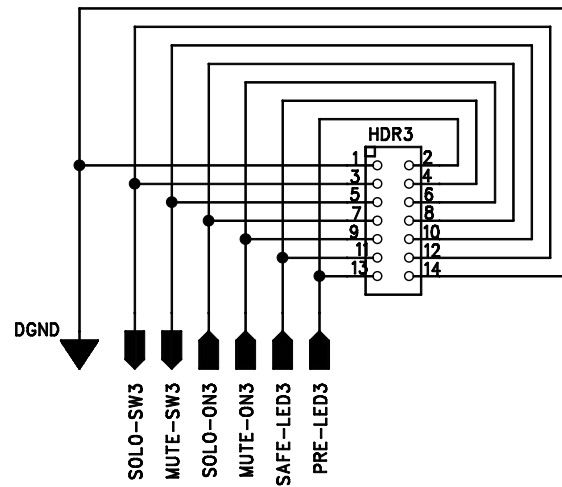
FILE NAME: XMINP.MNO.SCH

REV: 00

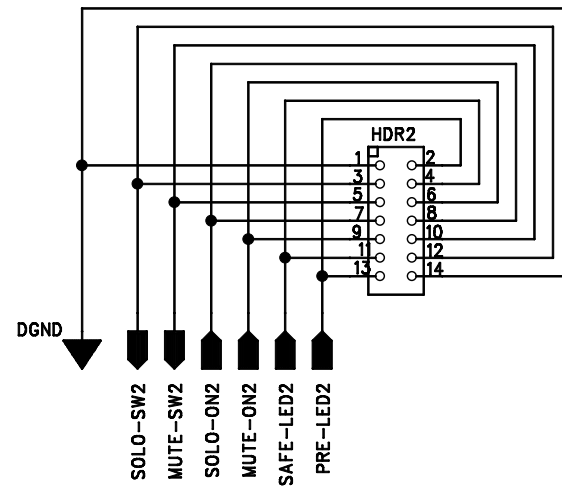
SHEET: 3 OF 3



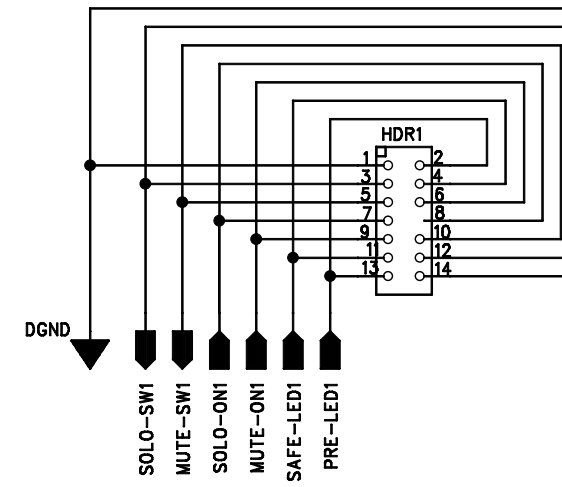
CHANNEL FURTHEST FROM MICRO WITHIN BLOCK



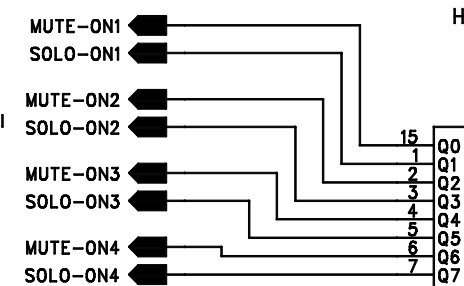
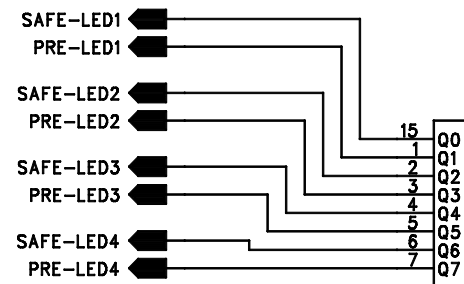
CHANNEL 3



CHANNEL 2

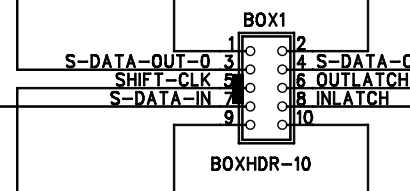


CHANNEL CLOSEST TO MICRO WITHIN BLOCK

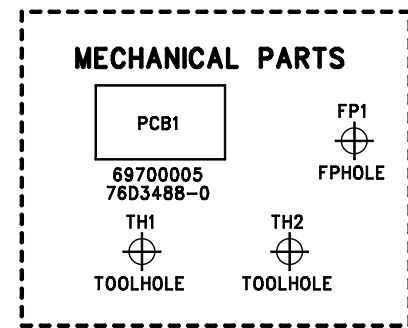


ACTIVE MUTE/SOLO=HI

END OF LINE OR PREVIOUS BRIDGE CARD



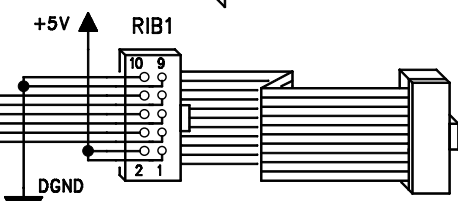
BOXHDR-10



**REV NOTE:**

This rev. change is only to re-track the PCB to reduce micro noise interference.

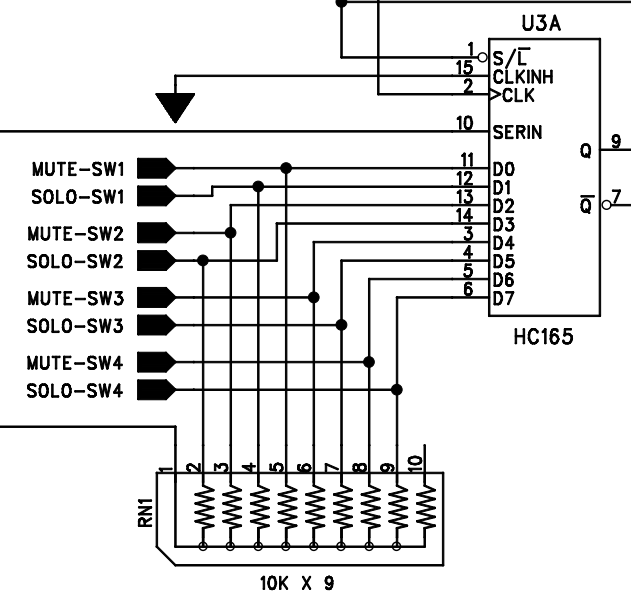
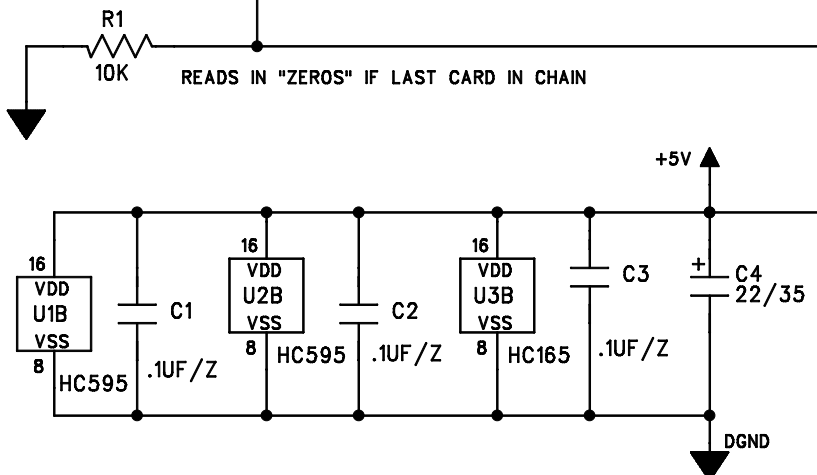
LED & CTRL DATA



TO/FROM MICRO OR NEXT BRIDGE CARD

SW DATA

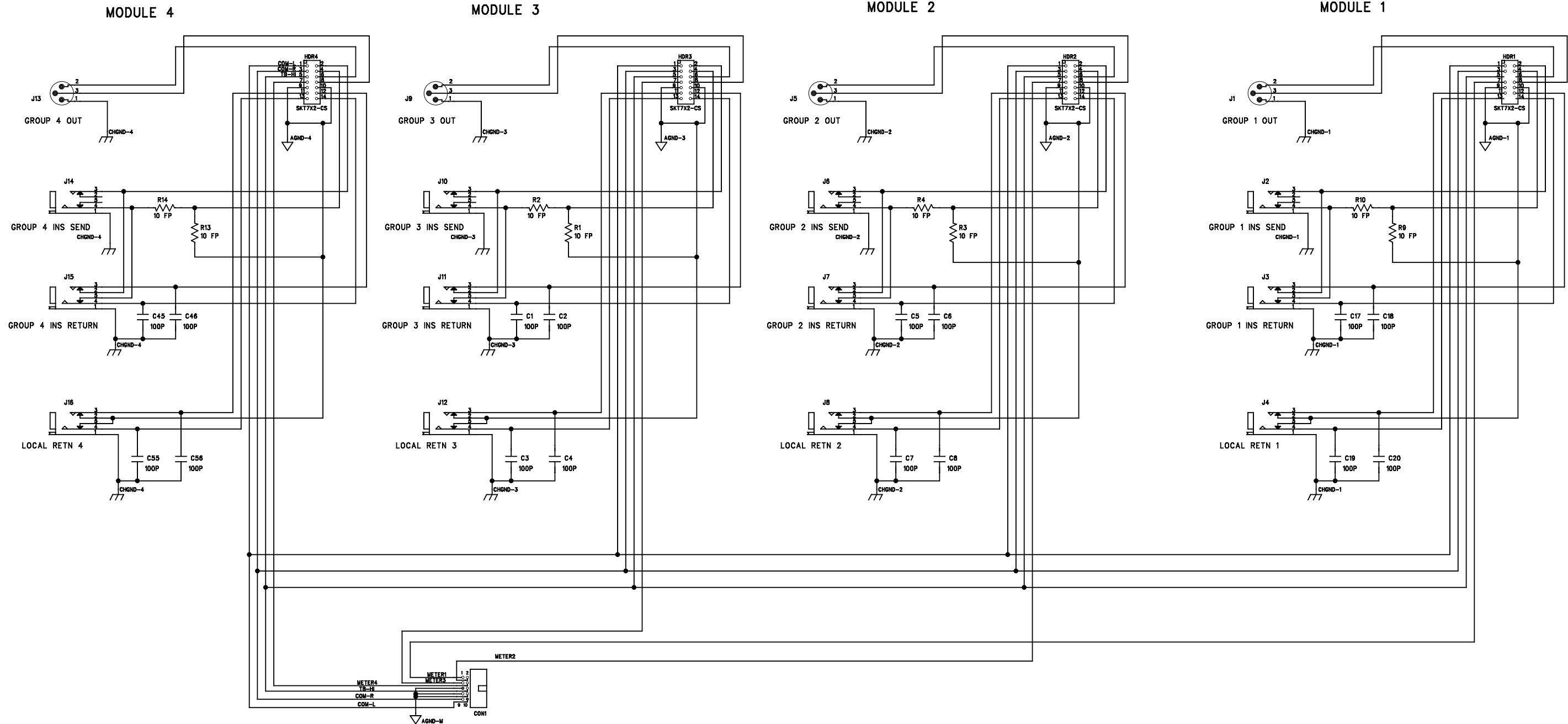
CARD ORIENTATION IS ALWAYS WITH RIBBON TOWARDS MICRO.  
CARD CAN BE FITTED TO INPUT BLOCK IN EITHER DIRECTION TO ALLOW FOR INPUTS TO THE LEFT OR RIGHT OF THE MICRO (MASTER SECTION).



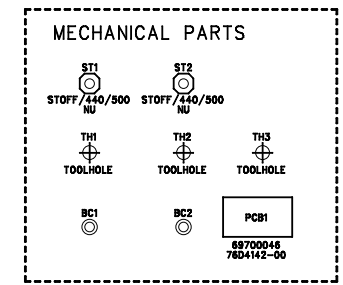
ORG DRAWN: JRP	DATED: 22 JUL 97
CHECKED:	DATED:
CUR REV DRAWN: PSM	DATED: 7/31/98
RELEASED:	DATED:

COMPANY: <b>CREST AUDIO</b>			
TITLE: <b>X-Monitor Input Micro Bridge PCB</b>			
X8 INPUT MICRO BRIDGE PCB (4 CHANNELS)			
CODE:	SIZE:	DRAWING NO: 76D3488	REV: 0
		FILE NAME: X8IPBRG0.SCH	
SCALE:			SHEET 1 OF 1

REVISION RECORD			
LTR	ECO NO.	APPROVED:	DATE:



TO GROUP CONN 5-8



COMPANY: <b>CREST AUDIO</b>		TITLE: <b>XMONITOR GROUP 1-4 CONN</b>	
DRAWN: RI	DATED: MAR 98	ASSEMBLY LEV: A	SIZE: D
CHECKED: JP	DATED: JAN 99	DRAWING NO: <b>76D4142</b>	
CUR. REV. DRAWN: TAZ	DATED: MAY 99	FILENAME: <b>XMG1CN0.SCH</b>	
RELEASED:	DATED:	SCALE:	REV: 00
SHEET: 1 OF 1			

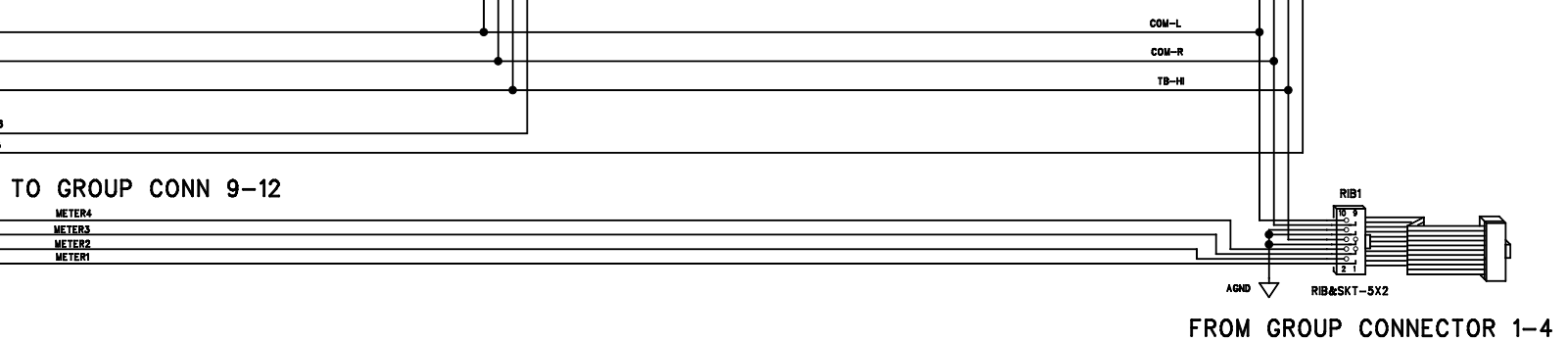
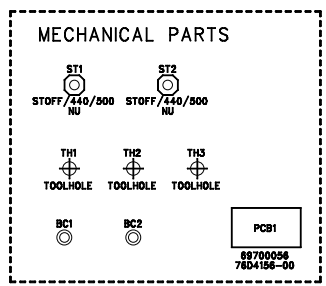
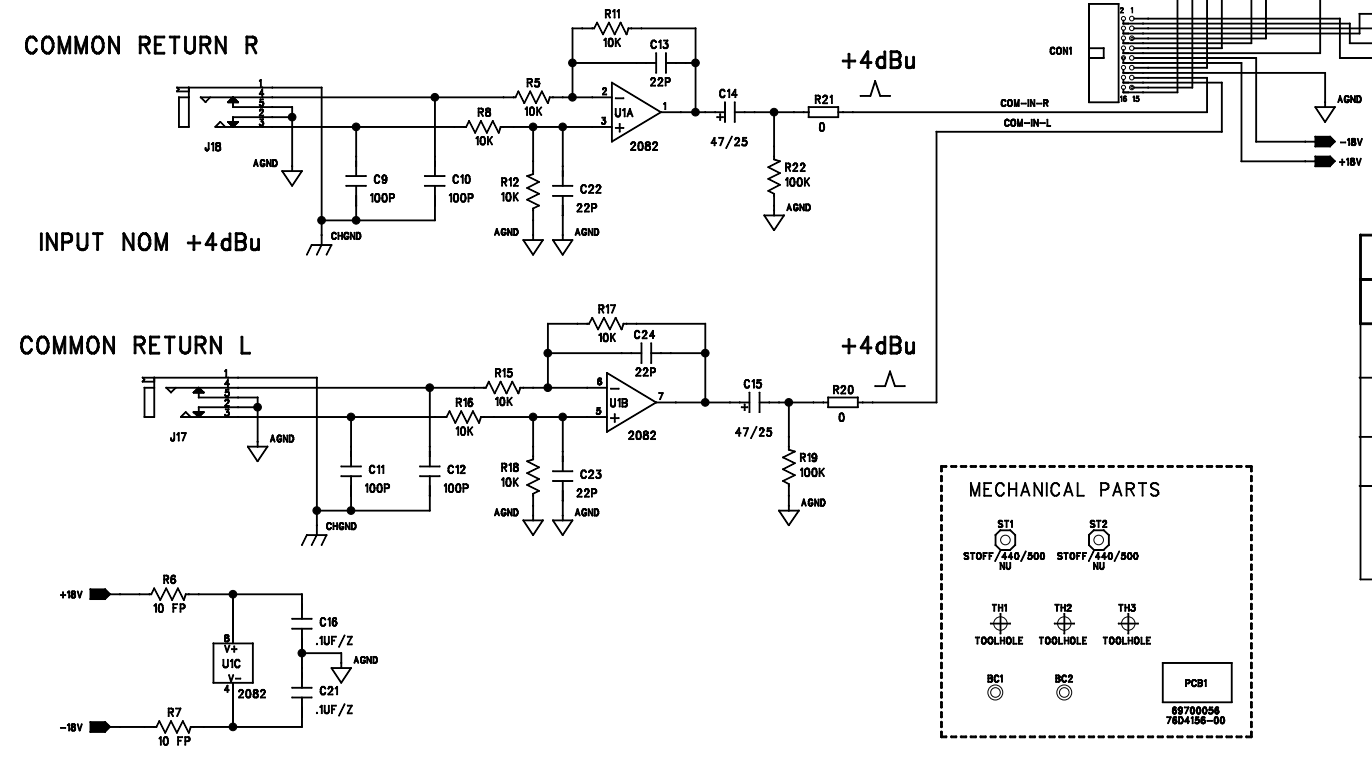
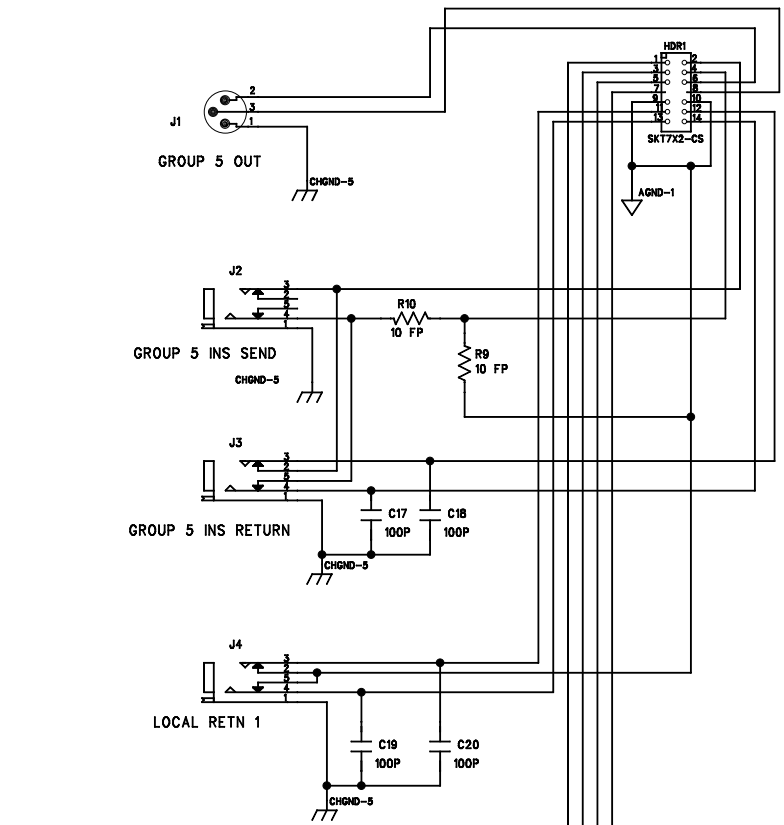
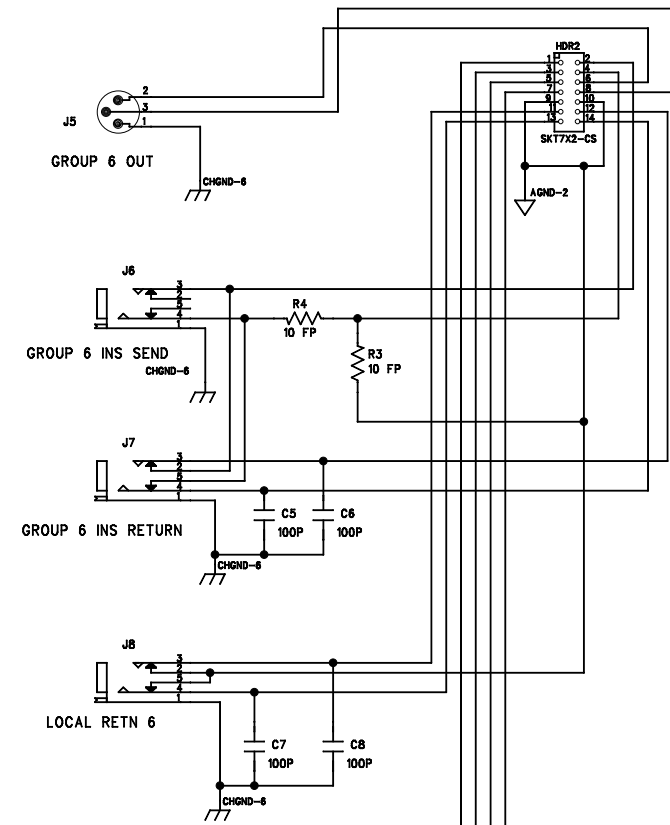
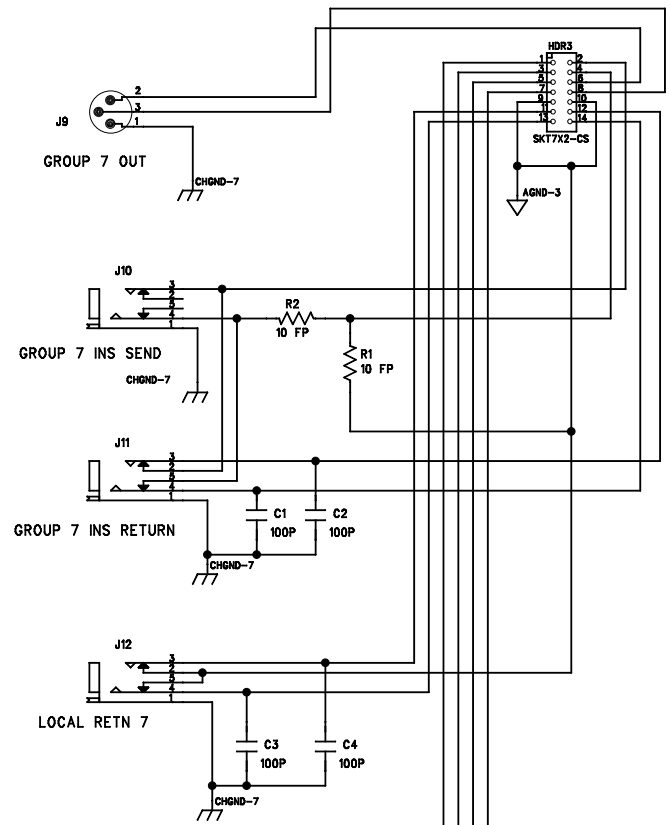
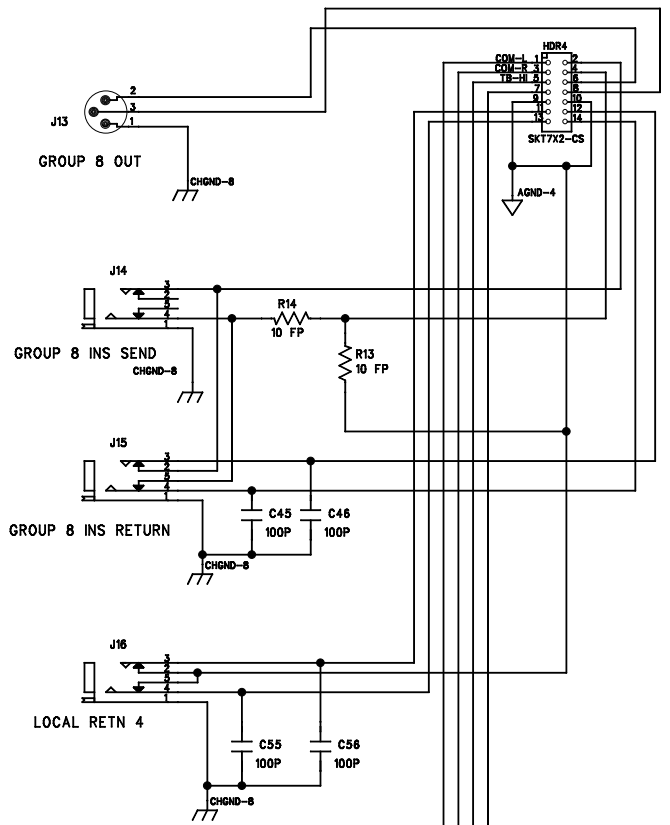
REVISION RECORD			
LTR	ECO NO:	APPROVED:	DATE:

MODULE 8

MODULE 7

MODULE 6

MODULE 5



REVISION RECORD					
REV LEVEL	ASMBLY LEVEL	DATE	ECO	ENG.	DESCRIPTION
A	A			RI	PROTOTYPE PCB RELEASE
B	A	5/21/99	DCO985	TAZ	MOVE LOCATION OF SUPPORT PCB FIXING HOLES ST1 AND ST2
B	B	6/10/99	DCO1007	PSM	- CHANGE R20, R21 FROM 22R-FP TO 0R JUMPER. REDUCES X-TALK!
00	A	6/30/99		TAZ	SILKSCREEN CHANGE TO REV00, NO COPPER CHANGE.

COMPANY: **CRESTAUDIO**

TITLE: **X-MONITOR GROUP 5-8 CONN**

DRAWN: RI	DATED: MAR 98	ASMBLY LEV: A	SIZE: D	DRAWING NO: 76D4156	REV: 00
CHECKED: JP	DATED: DEC 98			FILENAME: XMGP5CN0.SCH	
CUR. REV. DRAWN: TAZ	DATED: MAY 99				
RELEASED:	DATED:				

SHEET: 1 OF 1

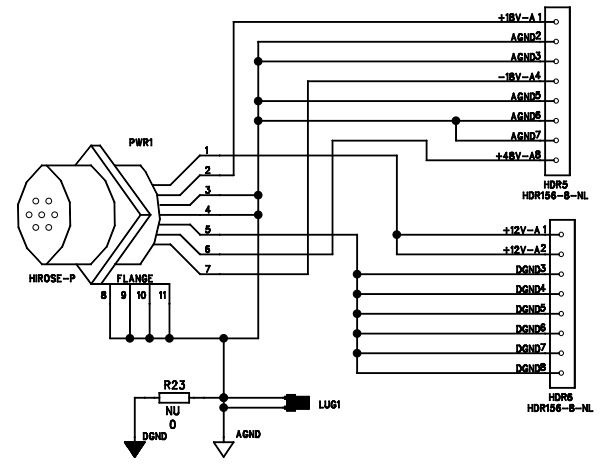
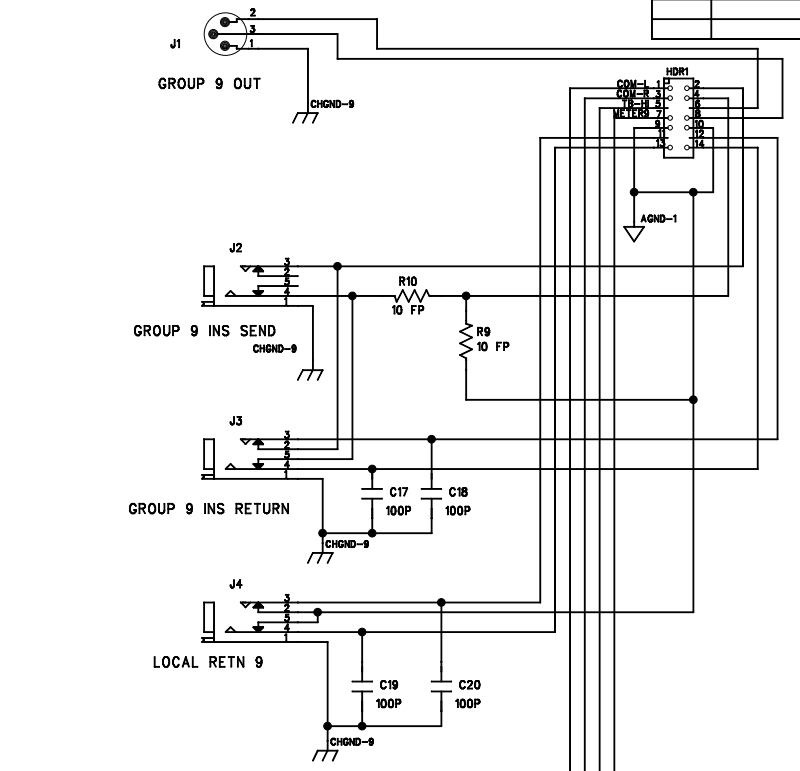
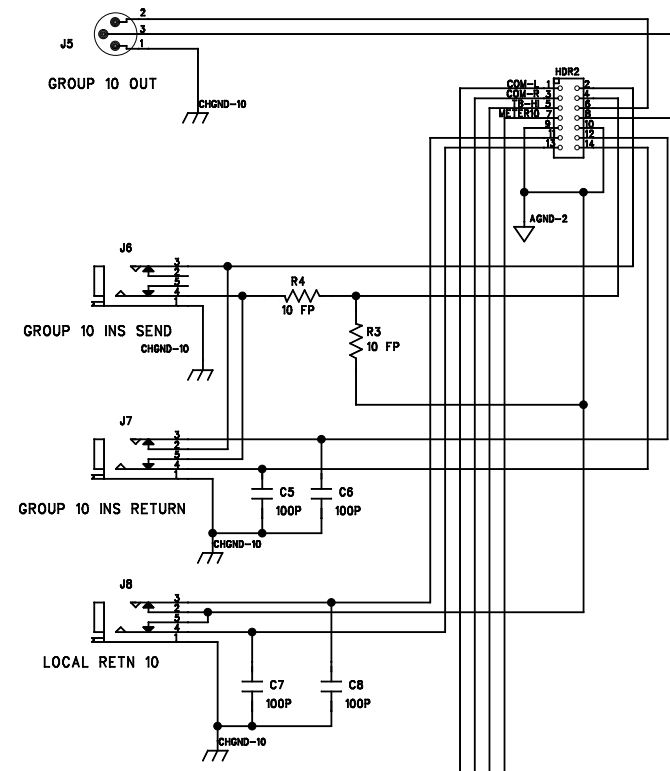
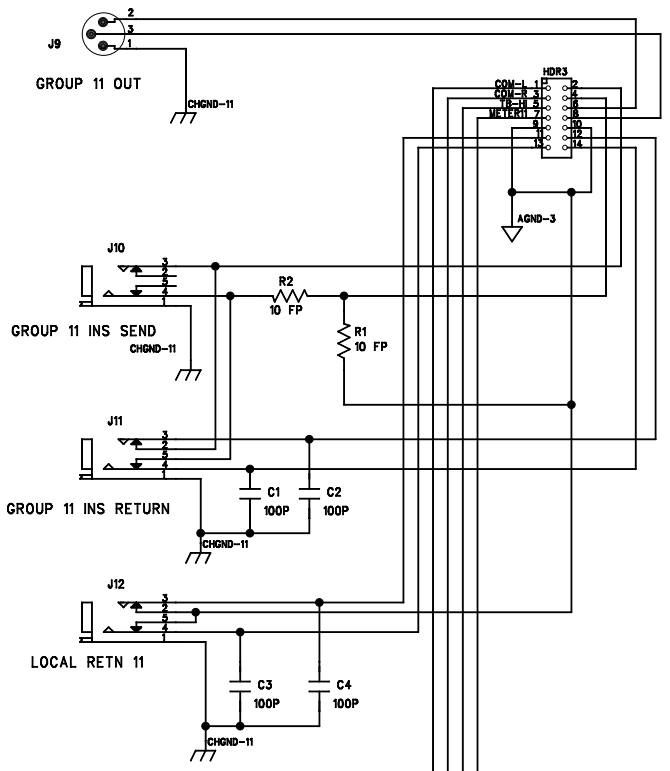
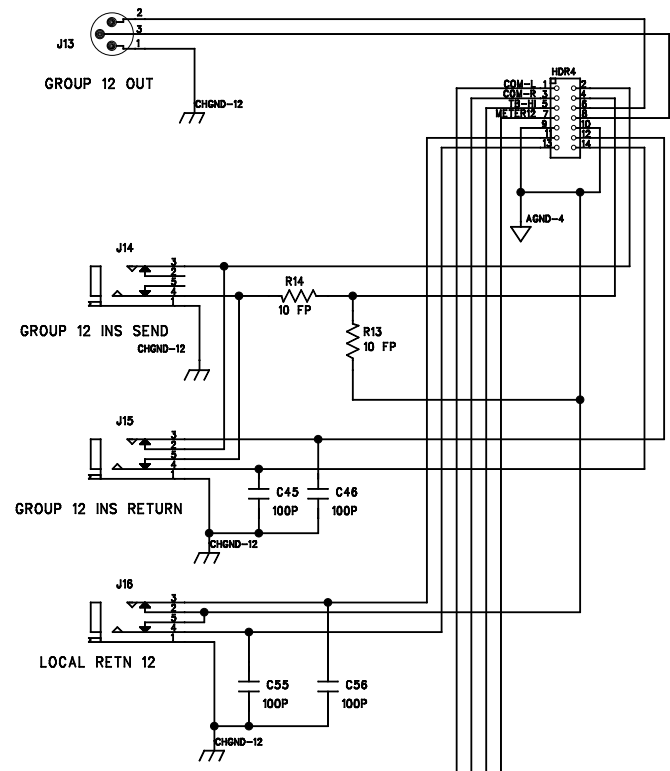
MODULE 12

MODULE 11

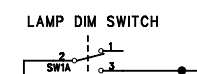
MODULE 10

MODULE 9

REVISION RECORD			
LTR	ECO NO:	APPROVED:	DATE:

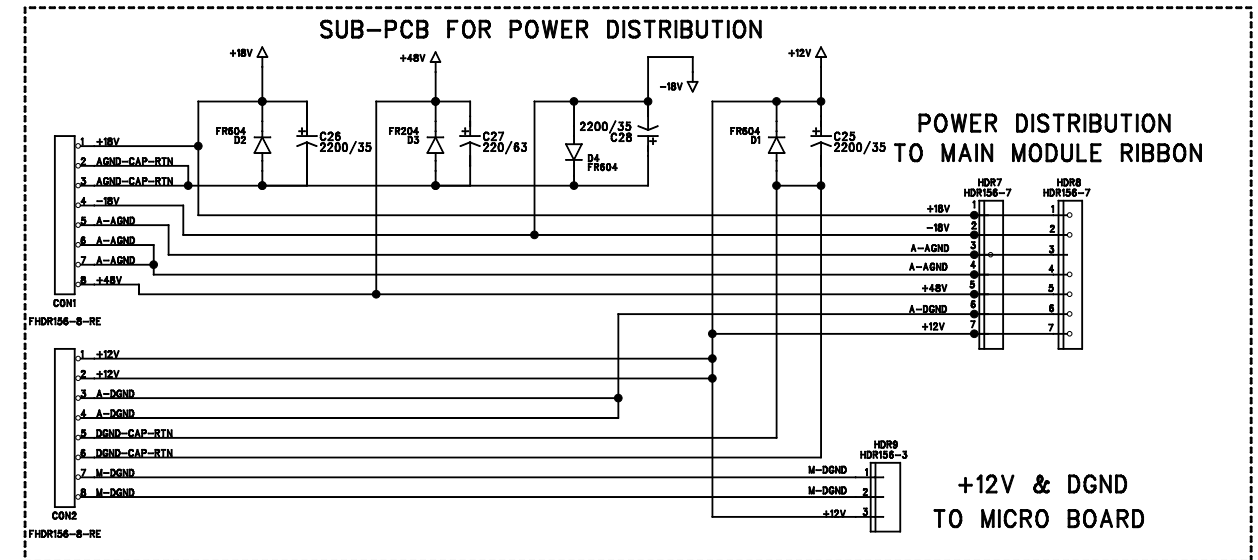


TO MASTER CONNECTOR



TO METER BRIDGE

TO GROUP CONN 5-8

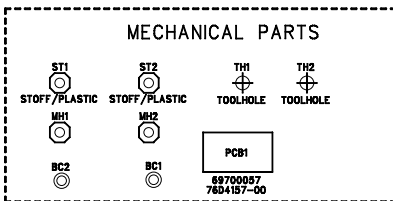


POWER DISTRIBUTION TO MAIN MODULE RIBBON

+12V & DGND TO MICRO BOARD

- PARTS FOR MOUNTING DC CONNECTOR**
- SCREW 1/4-40 PAN SCRW
  - SCREW 1/4-40 PAN SCRW
  - SCREW 1/4-40 PAN SCRW
  - SCREW 1/4-40 PAN SCRW
  - SCREW 1/4-40 PAN SCRW
  - SCREW 1/4-40 PAN SCRW
  - SCREW 1/4-40 PAN SCRW
  - SCREW 1/4-40 PAN SCRW
  - STOFF 1
  - STOFF 2
  - STOFF 3
  - STOFF 4
  - STOFF 440/875
  - STOFF 440/875
  - STOFF 440/875
  - STOFF 440/875

REVISION RECORD					
REV LEVEL	ASMBLY LEVEL	DATE	ECO	ENG.	DESCRIPTION
A	A			RI	PROTOTYPE RELEASE
B	A	5/21/99	DCO986	TAZ	MOVE LOCATION OF SUPPORT PCB FIXING HOLES ST1 AND ST2 MOVE POSITION OF CUTOUT FOR MIDI CABLE.
00	A	6/30/99		TAZ	SILKSREEN CHANGE TO REV 00 , NO COPPER CHANGE.



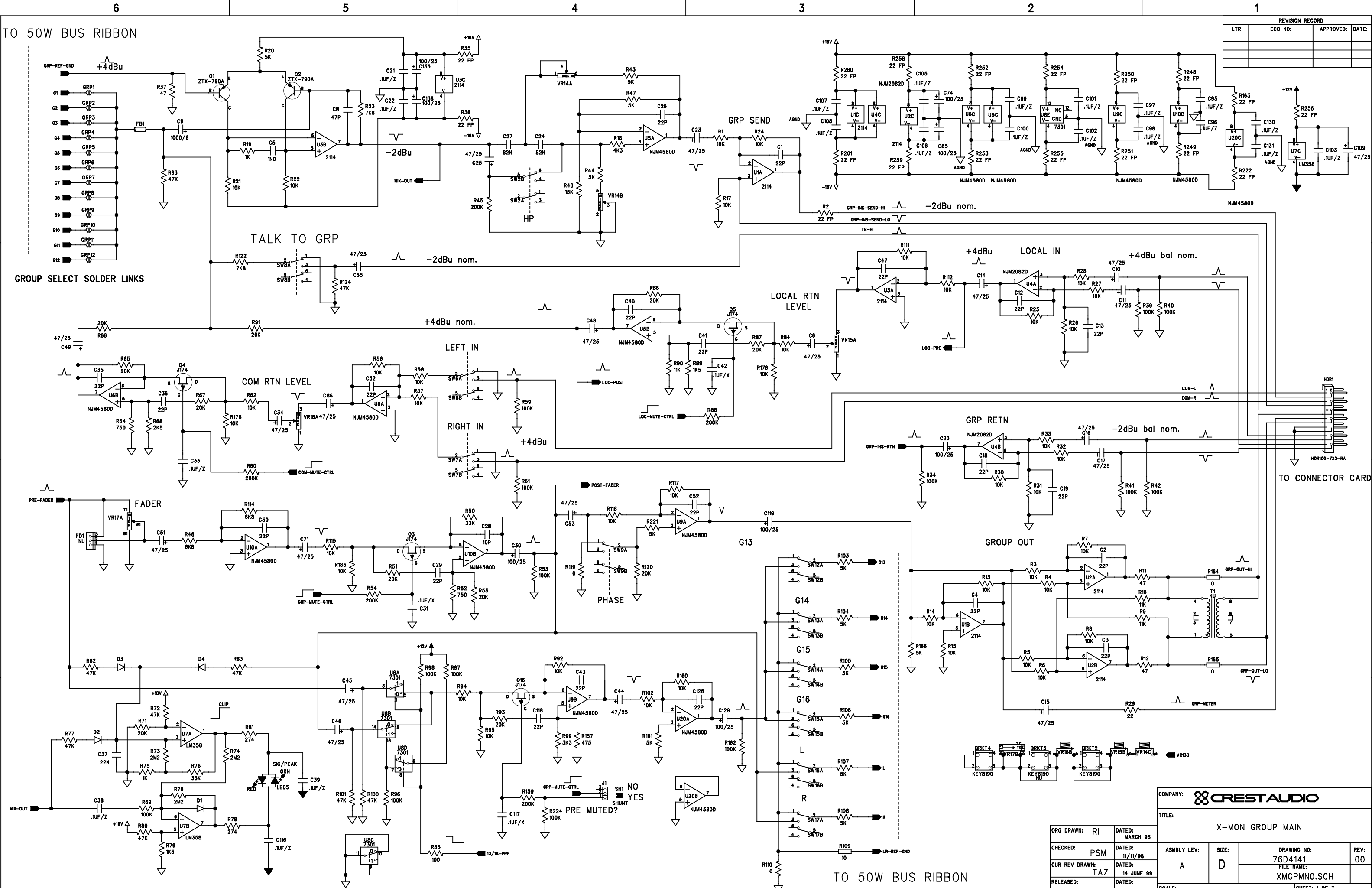
DRAWN: RI	DATED: MAR 98
CHECKED: JJP	DATED: 12 MAR 99
CUR. REV. DRAWN: TAZ	DATED: MAY 99
RELEASED:	DATED:

COMPANY: **CREST AUDIO**

TITLE: **X-MONITOR GROUP 9-12 CONN AND DC POWER CONNECTOR**

ASSEMBLY LEVEL: A	SIZE: D	DRAWING NO: 76D4157	REV: 00
FILENAME: XMGP9CN0.SCH		SHEET: 1 OF 1	

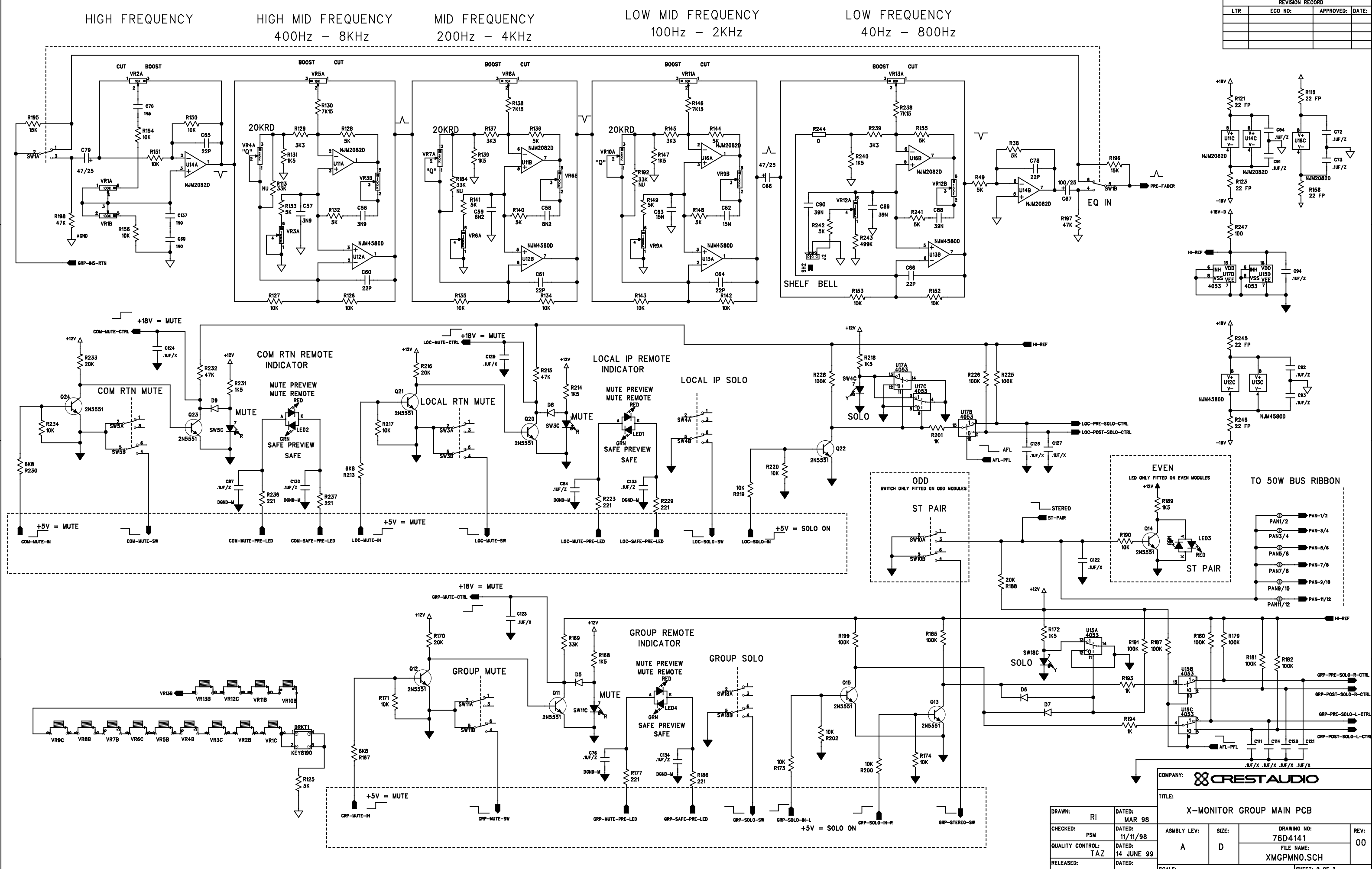




REVISION RECORD			
LTR	ECO NO.	APPROVED:	DATE:

COMPANY: <b>CRESTAUDIO</b>	
TITLE: <b>X-MON GROUP MAIN</b>	
ORG DRAWN: <b>RI</b>	DATED: <b>MARCH 98</b>
CHECKED: <b>PSM</b>	DATED: <b>11/11/98</b>
CUR REV DRAWN: <b>TAZ</b>	DATED: <b>14 JUNE 99</b>
RELEASED:	DATED:
ASSEMBLY LEV: <b>A</b>	SIZE: <b>D</b>
DRAWING NO: <b>76D4141</b>	REV: <b>00</b>
FILE NAME: <b>XMGPMNO.SCH</b>	SHEET: <b>1 OF 3</b>

REVISION RECORD			
LTR	ECO NO.	APPROVED:	DATE:

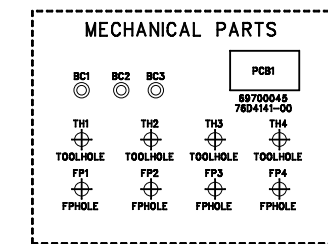
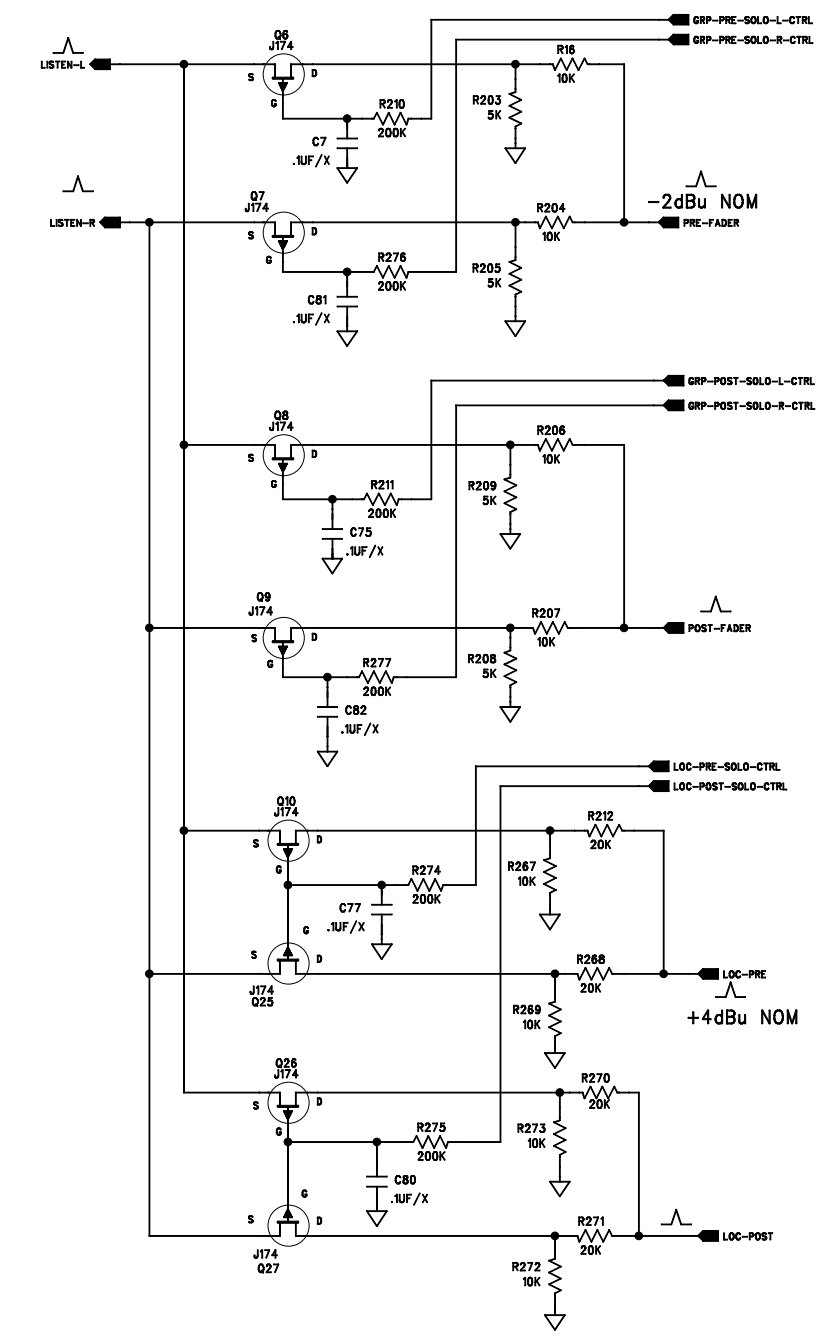
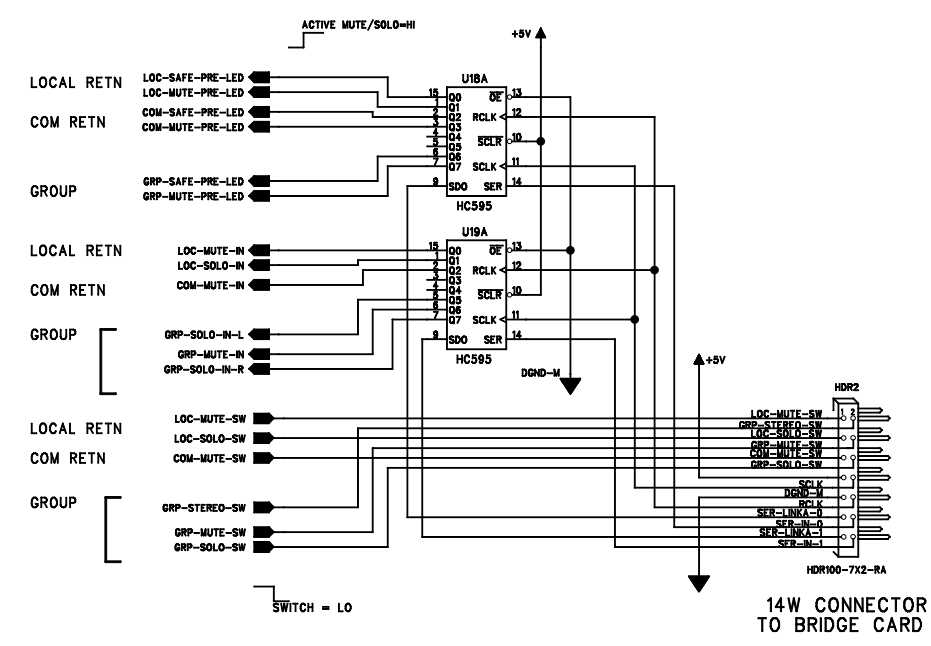
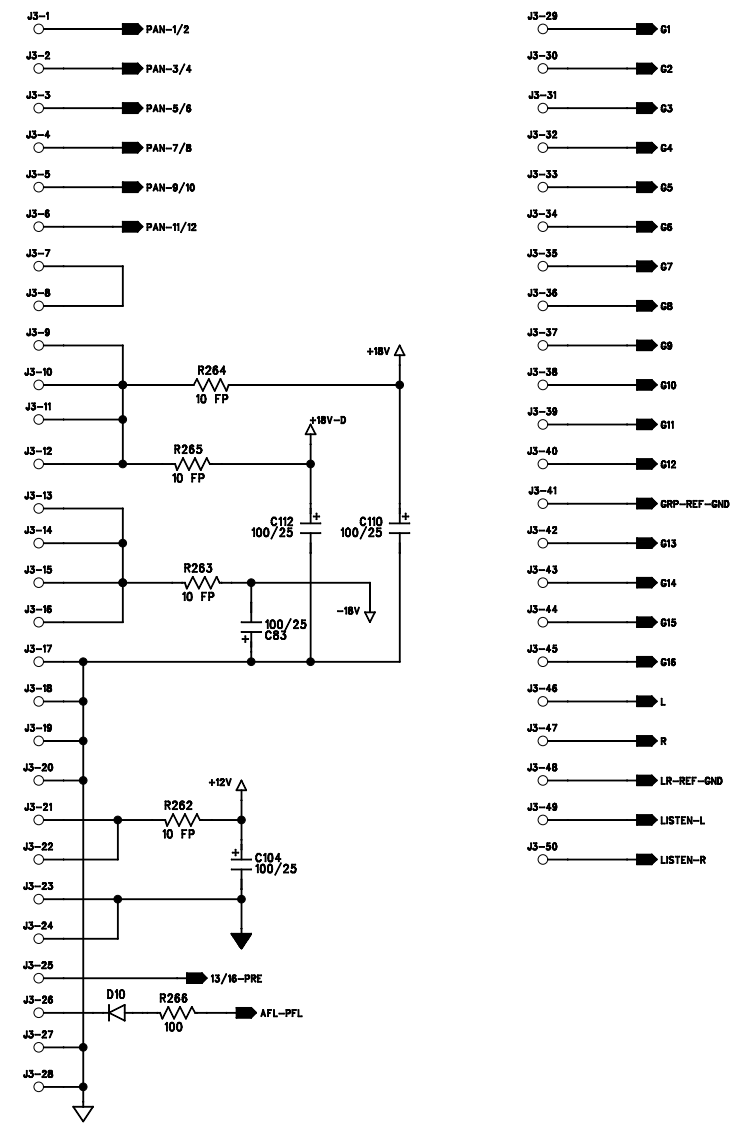


COMPANY: <b>CRESTAUDIO</b>		TITLE: <b>X-MONITOR GROUP MAIN PCB</b>	
DRAWN: RI	DATED: MAR 98	ASSEMBLY LEV: A	SIZE: D
CHECKED: PSM	DATED: 11/11/98	DRAWING NO: 76D4141	
QUALITY CONTROL: TAZ	DATED: 14 JUNE 99	FILE NAME: XMGP.MNO.SCH	
RELEASED:	DATED:	SCALE:	SHEET: 2 OF 3

REVISION RECORD			
LTR	ECO NO.	APPROVED:	DATE:

REVISION RECORD					
REV LEVEL	ASMBLY LEVEL	DATE	ECO	ENG.	DESCRIPTION
B	A	5/17/99	DC0973	TAZ	NEW MIX AMP CIRCUITRY, AND IMPROVEMENT IN MTX X'TALKS.
B	B	5/27/99	DC0992	TAZ	MUTE TRIMS - CHANGE R90 FROM 1K50 TO 750R CHANGE R89 FROM 825R TO NU CHANGE R64 FROM 274R TO 221R CHANGE R68 FROM 3K01 TO NU CHANGE R52 FROM 1K50 TO 2K49 CHANGE R157 FROM 274R TO 475R CHANGE R99 FROM 2K0 TO 143R ADD R85 (100R0) AND R224 (100K0) R224 (100K0) - ADDITION THRU MANUAL MODIFICATION.
B	C	6/2/99	DC0995	TAZ	REMOVAL OF R175 (100R0) - THIS IS A LINK BETWEEN DGND AND DGND-M AND SHOULD NOT BE FITTED.
00	A	6/14/99	EC03424	TAZ	PCB REVISION FROM B TO 00 - TRACK IN R224, AND IMPROVE COM1 X'TALK TO GROUP SEND. CHANGE SOLO RES TO AGND. REMOVE IC SOCKETS
00	B	7/16/99	3518	PSM	- CHANGED R20 OF GROUP MIX AMP FROM 10K TO 4K99. REDUCES COMMON MODE VOLTAGE ON OP-AMP.
00	B	8/4/99	3559	PSM	- MUTE TRIM CHANGES: R89: NU TO 1K5, R90: 750 TO 11K, R64: 221 TO 750, R68: NU TO 2K5, R99: 143 TO 3K32, R52: 2K5 TO 750, R55: 825 TO 20K.

50W MAIN BUS RIBBON



COMPANY: **CREST AUDIO**

TITLE: **X-MONITOR GROUP MAIN**

ORG DRAWN: **RI** DATED: **MAR 98**

CHECKED: **PSM** DATED: **11/11/98**

CUR REV DRAWING: **TAZ** DATED: **14 JUNE 99**

RELEASED: DATED:

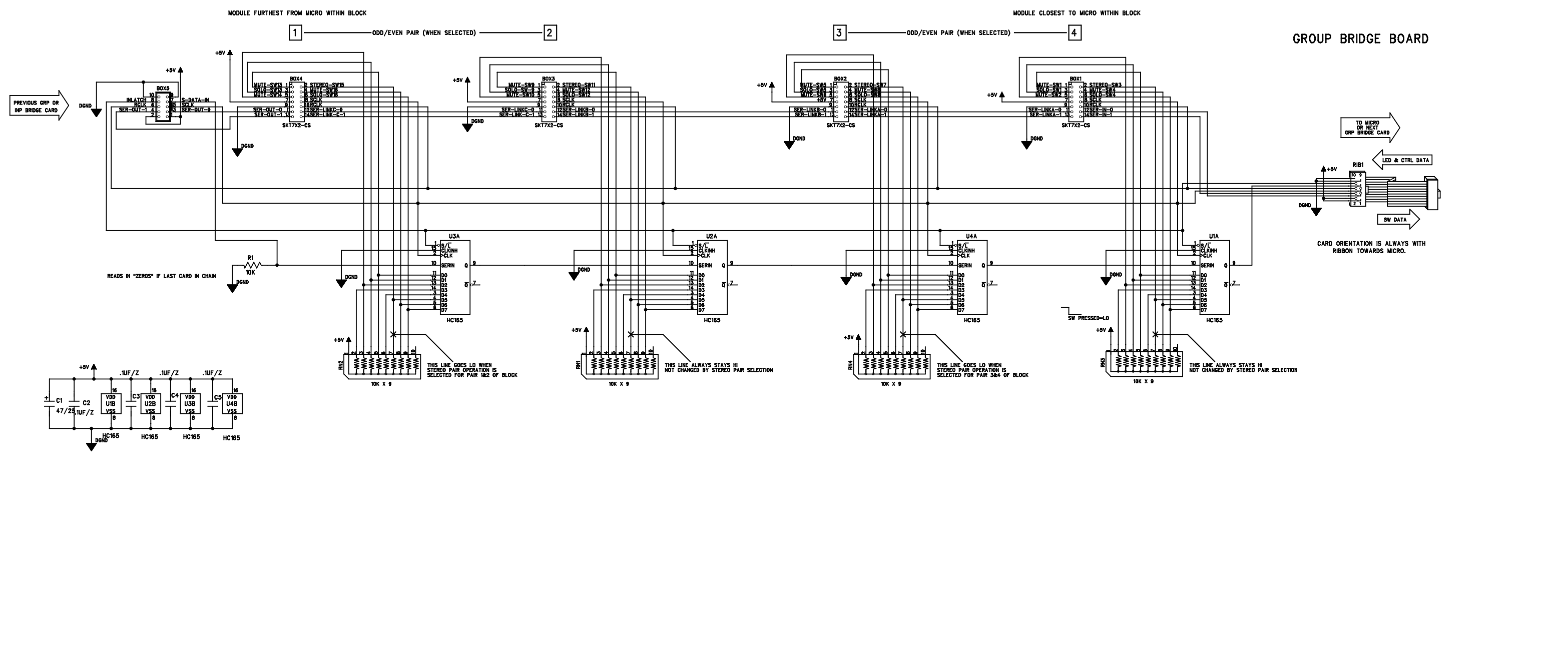
ASSEMBLY LEV: **D** SIZE: **D**

DRAWING NO: **76D4141** REV: **00**

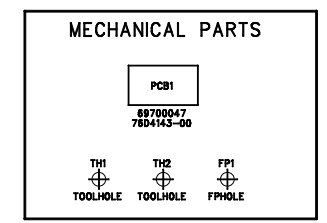
FILE NAME: **XMGPMM0.SCH**

SCALE: SHEET: **3 OF 3**

REVISION RECORD			
LTR	ECO NO.	APPROVED:	DATE:



REVISION RECORD					
REV LEVEL	ASMBLY LEVEL	DATE	ECO	ENG.	DESCRIPTION
A	A	??/??/??	????	???	KEEP TEXT CAPITALIZED AND USE FONT 180 10
0	A	6/30/99		PSM	SILKSCREEN CHANGED TO REV00, NO COPPER CHANGE



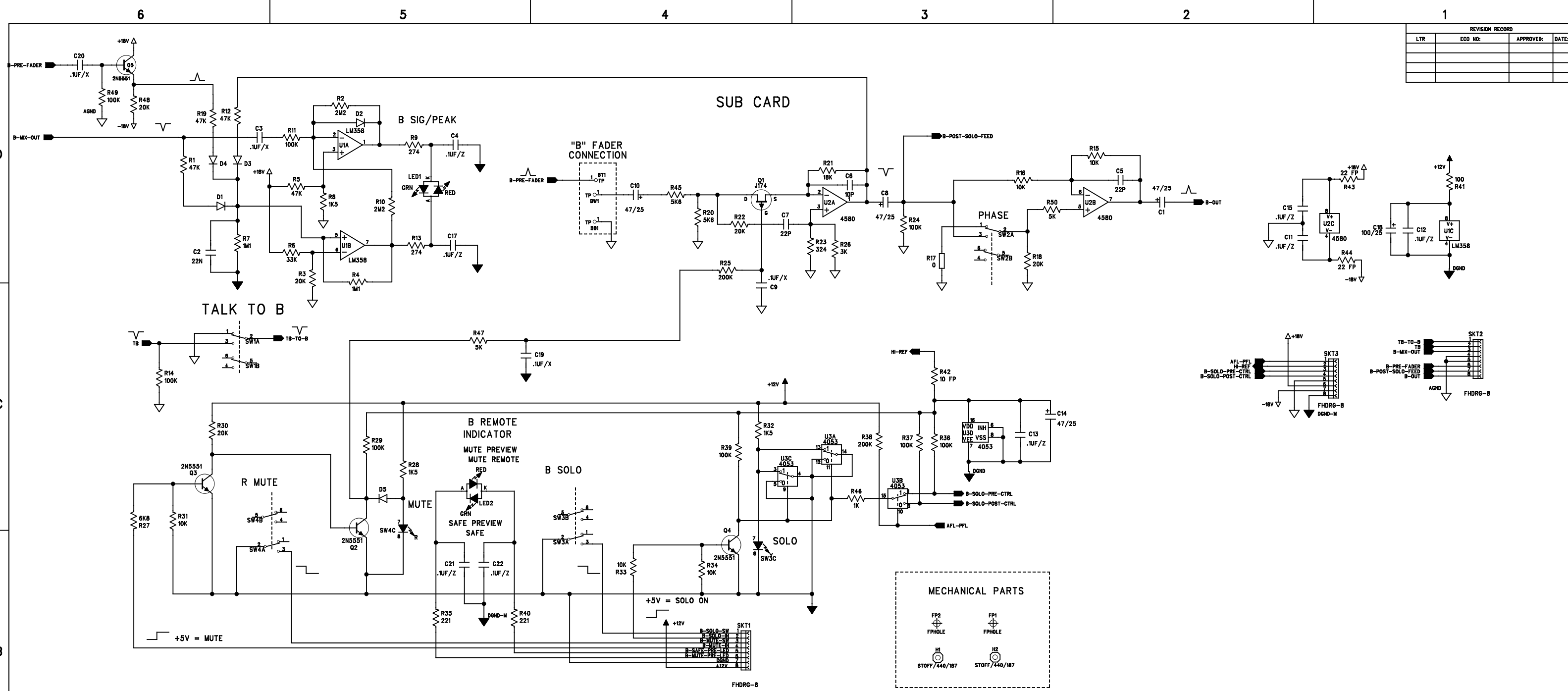
ORG DRAWN: RI	DATED: MAR 98
CHECKED:	DATED:
CUR REV DRAWN:	DATED:
RELEASED:	DATED:

COMPANY: **CREST AUDIO**

TITLE: **X MONITOR GROUP BRIDGE PCB**

CODE:	SIZE: <b>D</b>	DRAWING NO: <b>76D4143</b>	REV: <b>00</b>
FILE NAME: <b>XMGPBRC0.SCH</b>		SHEET: 1 OF 1	

REVISION RECORD			
LTR	ECO NO.	APPROVED:	DATE:



RFV	ASMRI	Y	DESCRIPTION
A	A		PROTOTYPE RELEASE
			NEEDS FILTERING FOLLOWED TO B PRE FADER SIGNAL FEEDING SIG PRE
			C6: 22P TO 10P. (REDUCING DISTORTION THROUGH Q1)
			CHANGED PHASE CIRCUIT R47: 10K TO 5K R22: 20K TO 5K
			LOW IMPEDANCE TO REDUCE CROSSTALK.
			CHANGED GROUND CONNECTION OF R3 (PEAK CIRCUIT) FROM DGND TO AGND
			CHANGE B POST FADER FEED SO THAT IT IS PRE PHASE SECTION.
			CHANGE PHASE CIRCUIT SO IT IS IMPEDANCE TO CONTROL CORRECT PHASE
			CHANGE R21 FROM 33K2 TO 18K2

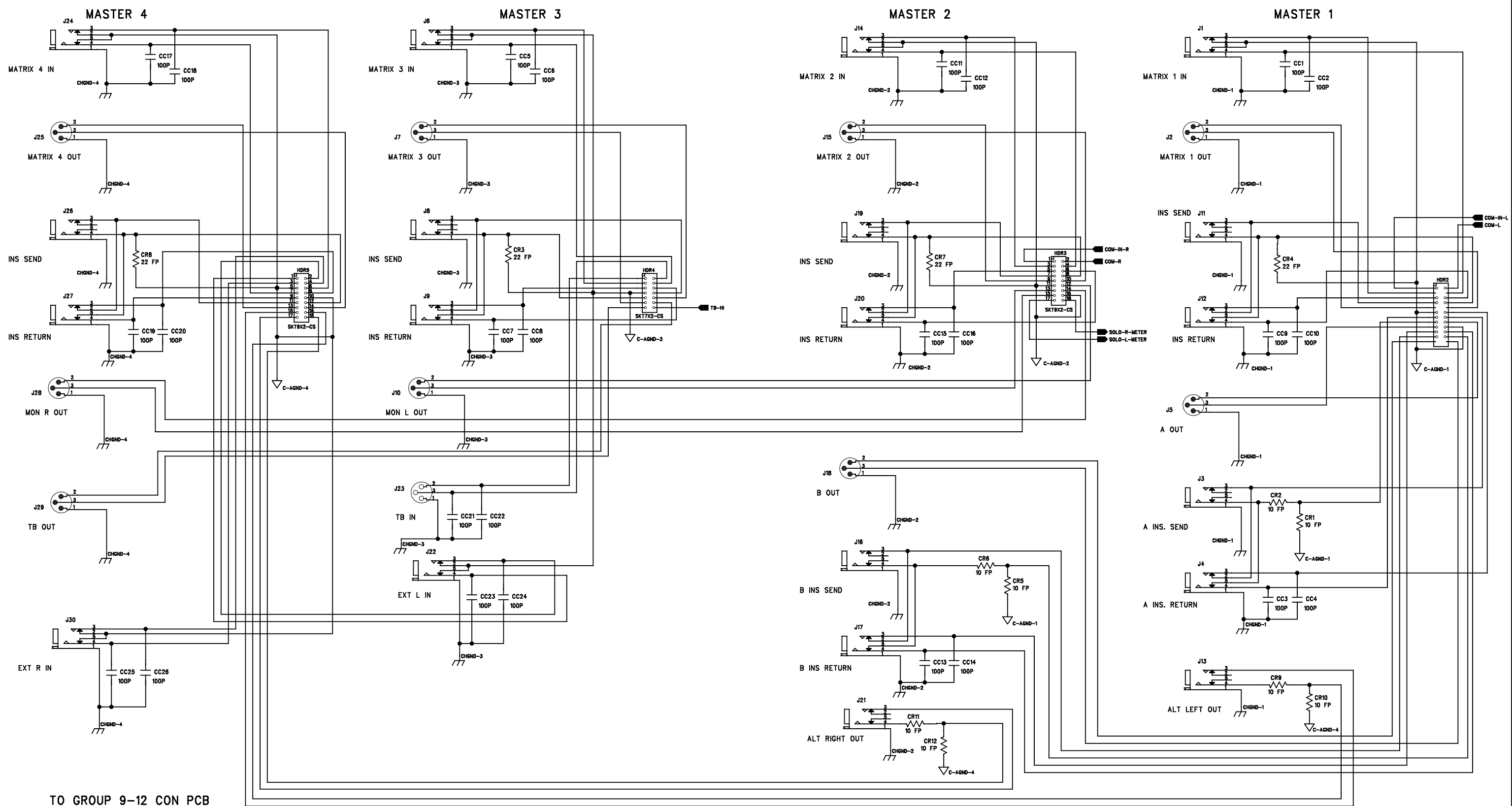
COMPANY: **CREST AUDIO**

TITLE: **X-MONITOR MASTER 1 SUB CARD**

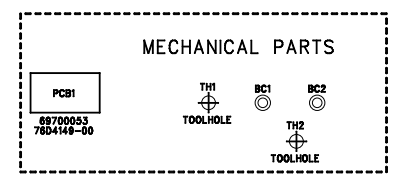
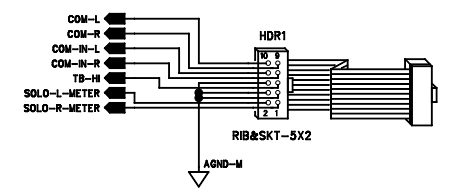
ORG DRAWN: RI	DATED: MAY 98	ASMBLY LEV: D	SIZE: D	DRAWING NO: 76D4149	REV: 0
CHECKED: TAZ	DATED: 6/14/99			FILE NAME: XMMSNO.SCH	
CUR REV DRAWN: TAZ	DATED: 6/14/99				
RELEASED:	DATED:				

SCALE: SHEET: 1 OF 2

REVISION RECORD			
LTR	ECO NO.	APPROVED:	DATE:

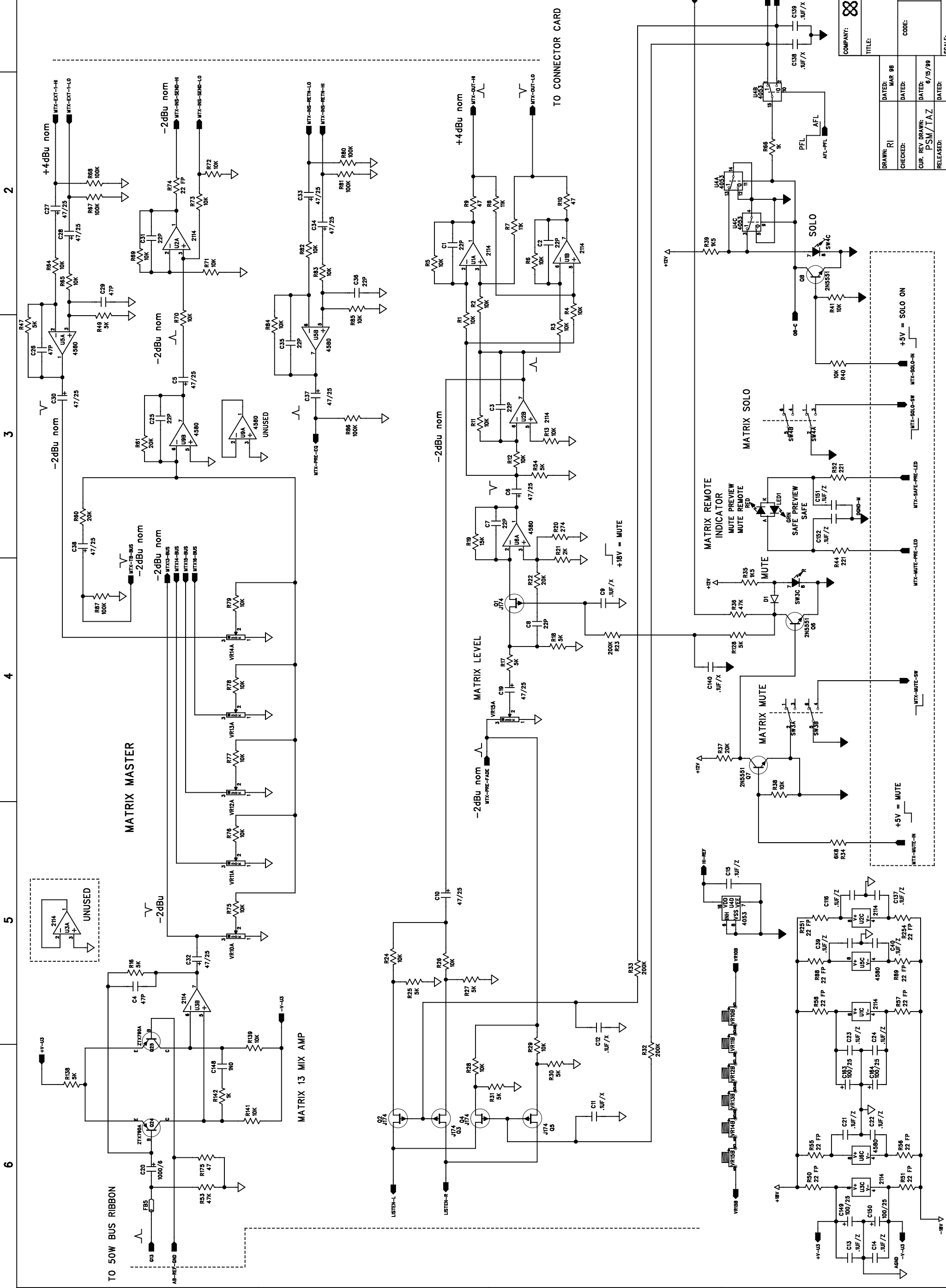


TO GROUP 9-12 CON PCB



COMPANY:	CREST AUDIO		
TITLE:	XMON MASTER CONNECTOR		
DRAWN:	RI	DATED:	MAR 98
CHECKED:		DATED:	
CUR. REV. DRAWN:	TAZ	DATED:	6/14/99
RELEASED:		DATED:	
ASSEMBLY LEV:		SIZE:	
DRAWING NO.:	76D4149		REV:
FILENAME:	XMMSTCNO.SCH		0
SCALE:			SHEET: 1 OF 1

REVISION RECORD	
LTR	ECO NO.
APPROVED:	DATE:



**CREST AUDIO**

COMPANY: XMON MASTER 1 MAIN

TITLE: XMON MASTER 1 MAIN

DRAWN: RI

CHECKED: PSM/TAZ

CUR. REV. DRAWN: PSM/TAZ

RELEASED: 6/15/99

DATED: MAR 98

DATE: 7/6/99

DATE: 8/15/99

DATE: 0

SCALE: 1 OF 4

1 2 3 4 5 6

D C B A

REVISION RECORD	
LTR	APPROVED: DATE:

1	
2	
3	
4	
5	
6	

1	
2	
3	
4	
5	
6	

1	
2	
3	
4	
5	
6	

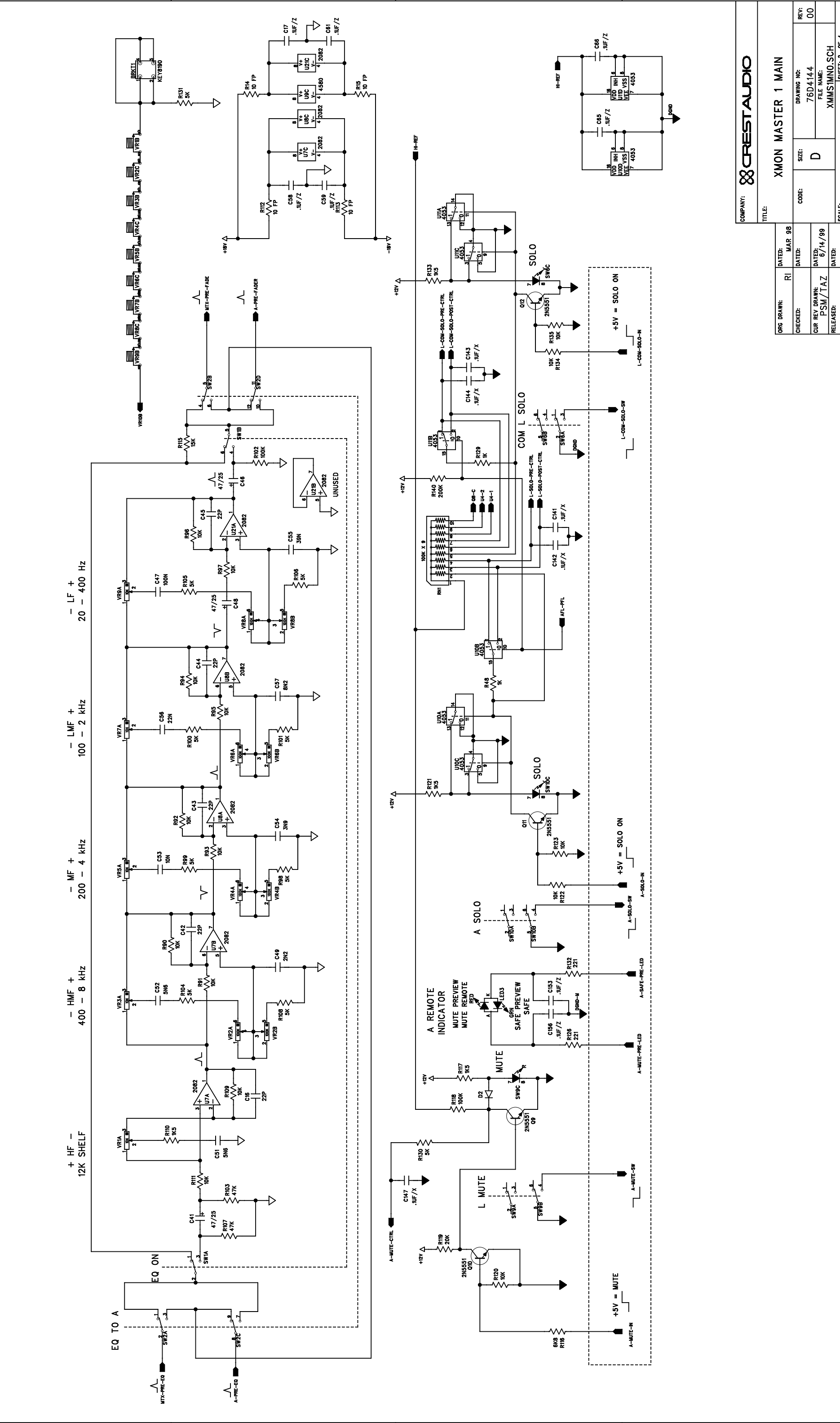
1	
2	
3	
4	
5	
6	

1	
2	
3	
4	
5	
6	

1	
2	
3	
4	
5	
6	

1	
2	
3	
4	
5	
6	

1	
2	
3	
4	
5	
6	



COMPANY: <b>CREST AUDIO</b>	
TITLE: <b>XMON MASTER 1 MAIN</b>	
ORG DRAWN: <b>RI</b>	DATED: <b>MAR 98</b>
CHECKED: <b> </b>	DATED: <b> </b>
CUR REV DRAWN: <b>PSM/TAZ</b>	DATED: <b>6/14/99</b>
RELEASED: <b> </b>	DATED: <b> </b>
CODE: <b>D</b>	SIZE: <b>76D4144</b>
SCALE: <b> </b>	FILE NAME: <b>XMMS1MNO.SCH</b>
SHEET: 2 OF 4	



1		REVISION RECORD	
LTR	ECO NO.	APPROVED:	DATE:

50W MAIN BUSS RIBBON

TO CONNECTOR CARD

COMPANY: **CREST AUDIO**

TITLE: **XMON MASTER 1 MAIN**

ORG DRAWN: **RI**    DATED: **MAR 98**

CHECKED:            DATED:           

CUR REV DRAWN: **PSM/TAZ**    DATED: **6/14/99**

RELEASED:            DATED:           

SCALE:            SHEET: **3 OF 4**

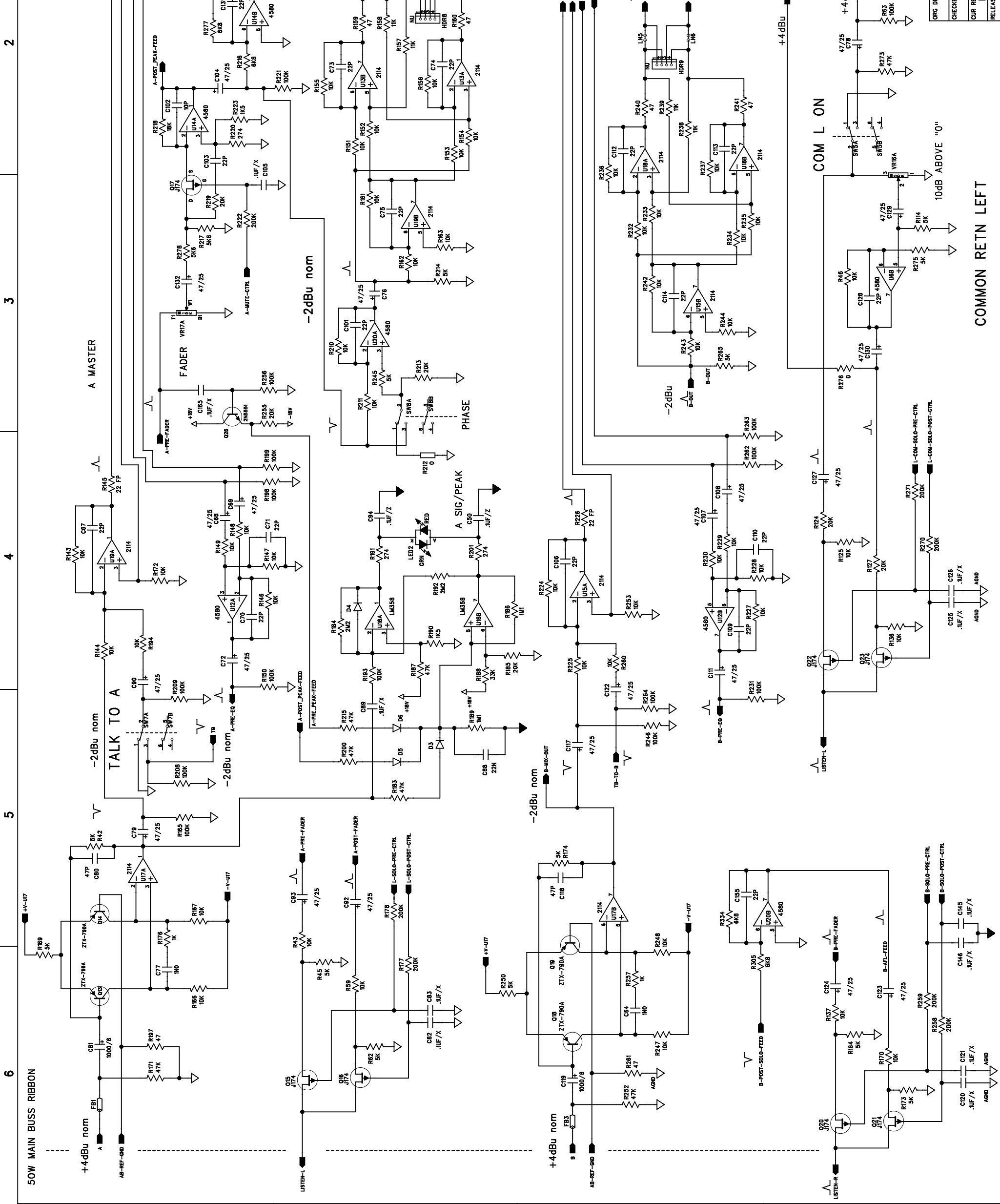
2

3

4

5

6



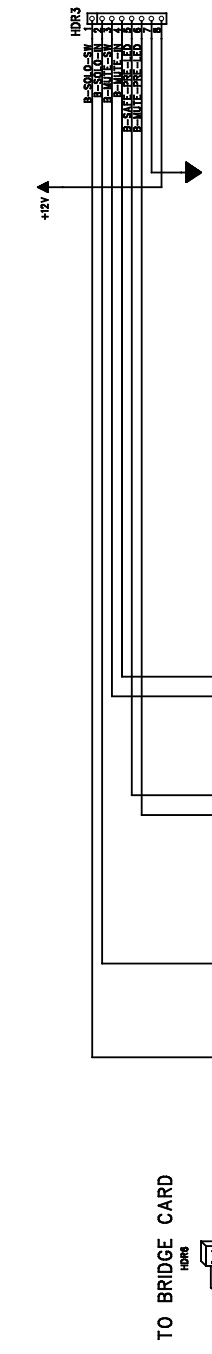
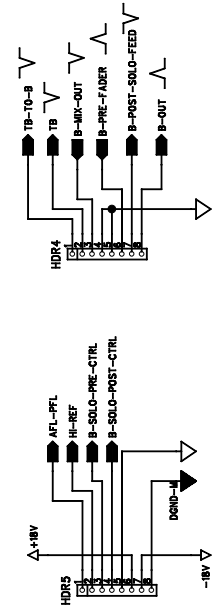
COMMON RETN LEFT

10dB ABOVE "0"

REVISION RECORD		
LTR	ECO NO.	APPROVED: DATE:

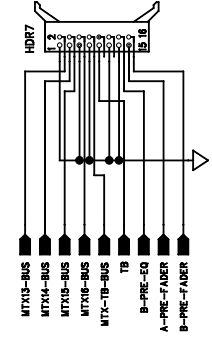
50W BUS RIBBON

MAIN TO SUB CONNECTORS

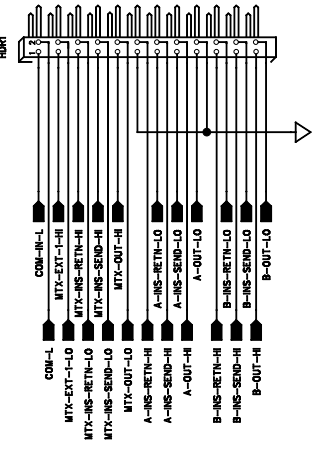


TO BRIDGE CARD

16-WAY MASTER INTERCONNECT RIBBON

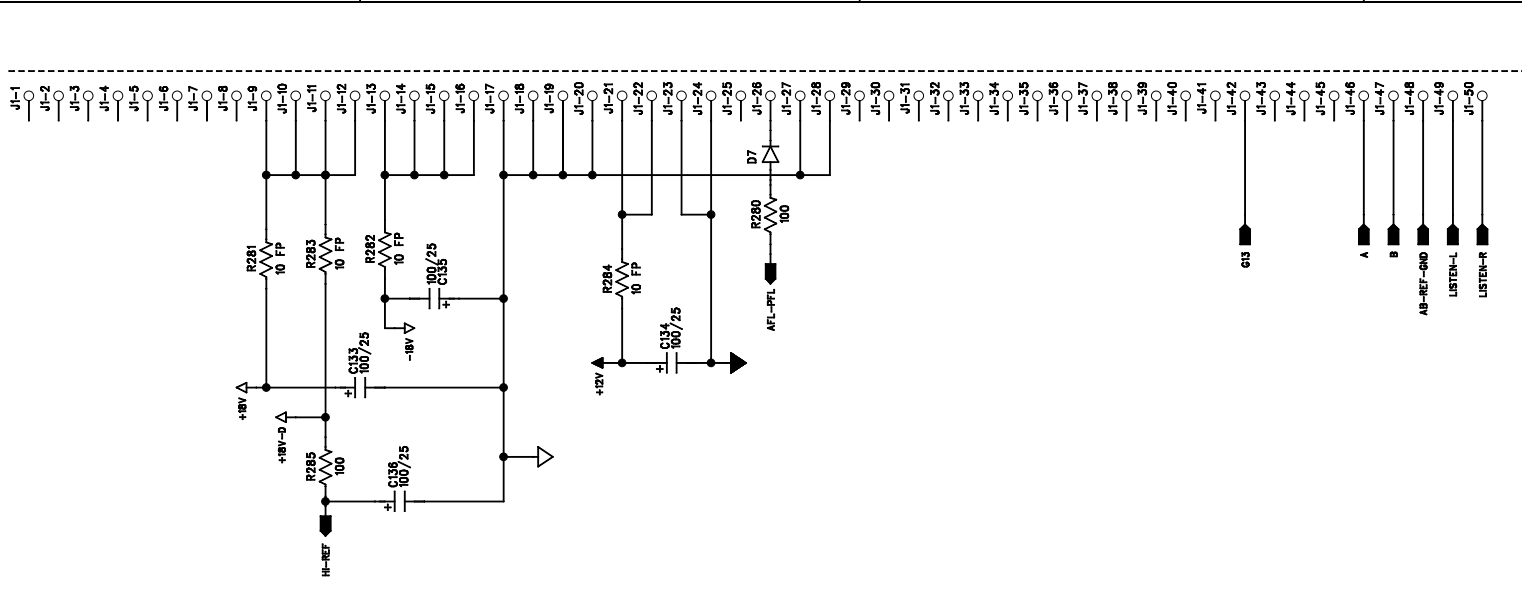
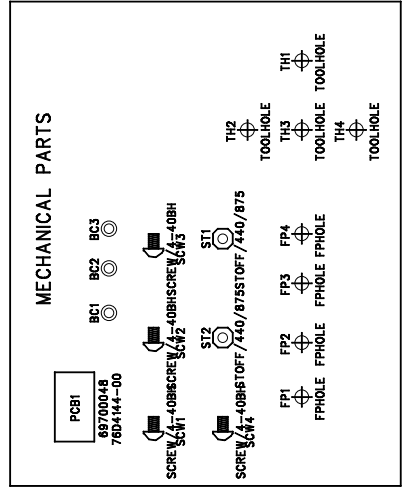


TO CONNECTOR CARD



REV LEVEL	ASMBY LEVEL	DATE	ECO	ENG.	DESCRIPTION
A	A			RI	PROTOTYPE BUILD
B	A	5/20/99	DC0989	PSM	<ul style="list-style-type: none"> <li>- CHANGED NET NAMES WITH L &amp; R TO NETS WITH A &amp; B.</li> <li>- EX: L-OUT-HI --&gt; A-OUT-HI</li> <li>- CHANGED HF EQ SECTION TO OPERATE PROPERLY AS A NON-INVERTING STAGE.</li> <li>- CHANGED THE MATRIX MIX AMP TO USE A TRANSISTOR FRONT END.</li> <li>- THIS OPERATES AS A PSEUDO BALANCED STAGE FEEDING THE BASES.</li> <li>- HMF EQ CHANGES. C52: 3N9 TO 5N6. C49: 1N5 TO 2N2</li> <li>- ADDED EMITTER FOLLOWER TO "A FADER POST MUTE SIGNAL"</li> <li>- FEEDING THE SIGNAL PRESENT CIRCUITRY TO REDUCE DISTORTION.</li> <li>- ALL OTHER SIGNALS TO SIG. PRES. CIRCUITRY ARE NOW TAKEN BEFORE THE DECOUPLING CAPACITOR OF THE STAGE.</li> <li>- CHANGED C88, C94, C50 AND R189 FROM AGND TO DGND (SIG PRES CIRCUIT)</li> <li>- CHANGED PHASE CIRCUITRY TO REDUCE PICK-UP SENSITIVITY.</li> <li>- R213: 10K TO 20K. R212: 10K TO 0R. ADD R245: 4K99 TO POS INPUT.</li> <li>- CHANGED A &amp; B MIX AMPS TO NEW MIX AMP. (SAME AS MATRIX)</li> <li>- CHANGED DGND TO DGND-M ON HDR6</li> <li>- ON ALL SAFE/PREVIEW LEDS, DECOUPLING CAPS GO TO DGND-M.</li> <li>- NEW PIN ASSIGNMENTS FOR HDR4 AND HDR5.</li> <li>- HDR5.1: AFL, HDR5.2: HI-REF, HDR5.3: B-SOLO-PRE-CTRL, HDR5.8: DGND-M</li> <li>- HDR4.4: AGND, HDR4.5: AGND, HDR4.6: B-PRE-FADER, HDR4.7: B-PRE-MUTE</li> <li>- HDR4.8: B-OUT.</li> </ul>
B	B	6/10/99	DC01003	PSM	<ul style="list-style-type: none"> <li>- MUTE TRIMS. R21: 2K TO 1K5, R20: 475R TO 221R, R220: 2K TO 750</li> <li>- R223: 274 TO 750</li> <li>- CHANGED COMMON RTN LEFT TO SOLO RESISTORS: R124 &amp; 127: 10K TO 20K0</li> <li>- CHANGED COMMON RTN LEFT GAIN. R46: 3K TO 10K</li> </ul>
00	A	6/14/99	EC03434	TAZ	<ul style="list-style-type: none"> <li>- PCB REVISION FROM REV B TO REV00</li> <li>- B FADER BUFFER MOVED TO MAIN SUB PCB (REMOVED FD2 AND C154)</li> <li>- CHANGED STRUCTURE OF A FADER BUFFER, IT NOW INCLUDES THE MUTE ELEMENT (U14A), PHASE SWT REVERSED AND INVERTING BUFFER TO SOLO FEED.</li> <li>- U20B IS NOW USED AS A INVERTING BUFFER TO B POST SOLO FEED.</li> <li>- ADDED U21 SO THAT LF EQ SECTION AND MTX MIX AMP CAN BE SEPERATE IC'S</li> <li>- INCREASED SOLO PRE FET ATTENUATION TO REDUCE BLEED TO THE SOLO BUS.</li> <li>- CHANGED R164, R173, R217, R25, R27, R30, R31, R45, R62</li> <li>- FROM 10K0 TO 4K99</li> <li>- REMOVED IC SOCKETS.</li> </ul>
00	B	7/16/99	3518	PSM	<ul style="list-style-type: none"> <li>- CHANGED MIX ANPMS (A,B,G13) TO REDUCE COMMON MODE DC VOLTAGE.</li> <li>- R138,R169,R250: 10K TO 4K99. R166-167,R247-248: 20K TO 10K</li> </ul>
00	C	7/7/00	3983	TAZ	<ul style="list-style-type: none"> <li>- CORRECTION OF FSHFT BOMS TO REFLECT PRODUCTION BUILD</li> <li>- MUTE TRIMS CHANGE R20 FROM 221R TO 274R, R21 FROM 1K50 TO 2K0</li> <li>- CHANGE R220 FROM 750R TO 274R, R223 FROM 750R TO 1K50</li> </ul>

REVISION RECORD



COMPANY: **CRESTAUDIO**

TITLE: **XMON MASTER 1 MAIN**

ORG DRAWN: **RI** DATED: **MAR 98**

CHECKED:  DATED:

CUR REV DRAWN: **PSM/TAZ** DATED: **6/14/99**

RELEASED:  DATED:

CODE:  SIZE: **D** REV: **00**

DRAWING NO: **76D4144**

FILE NAME: **XMM5MNO.SCH**

SCALE:  SHEET: **4 OF 4**

REVISION RECORD		
LTR.	ECO. NO.	APPROVED / DATE

TO 50W BUS RIBBON

MATRIX MASTER

MATRIX 14 MIX AMP

TO CONNECTOR CARD

13/16-PRE

13/16-PRE

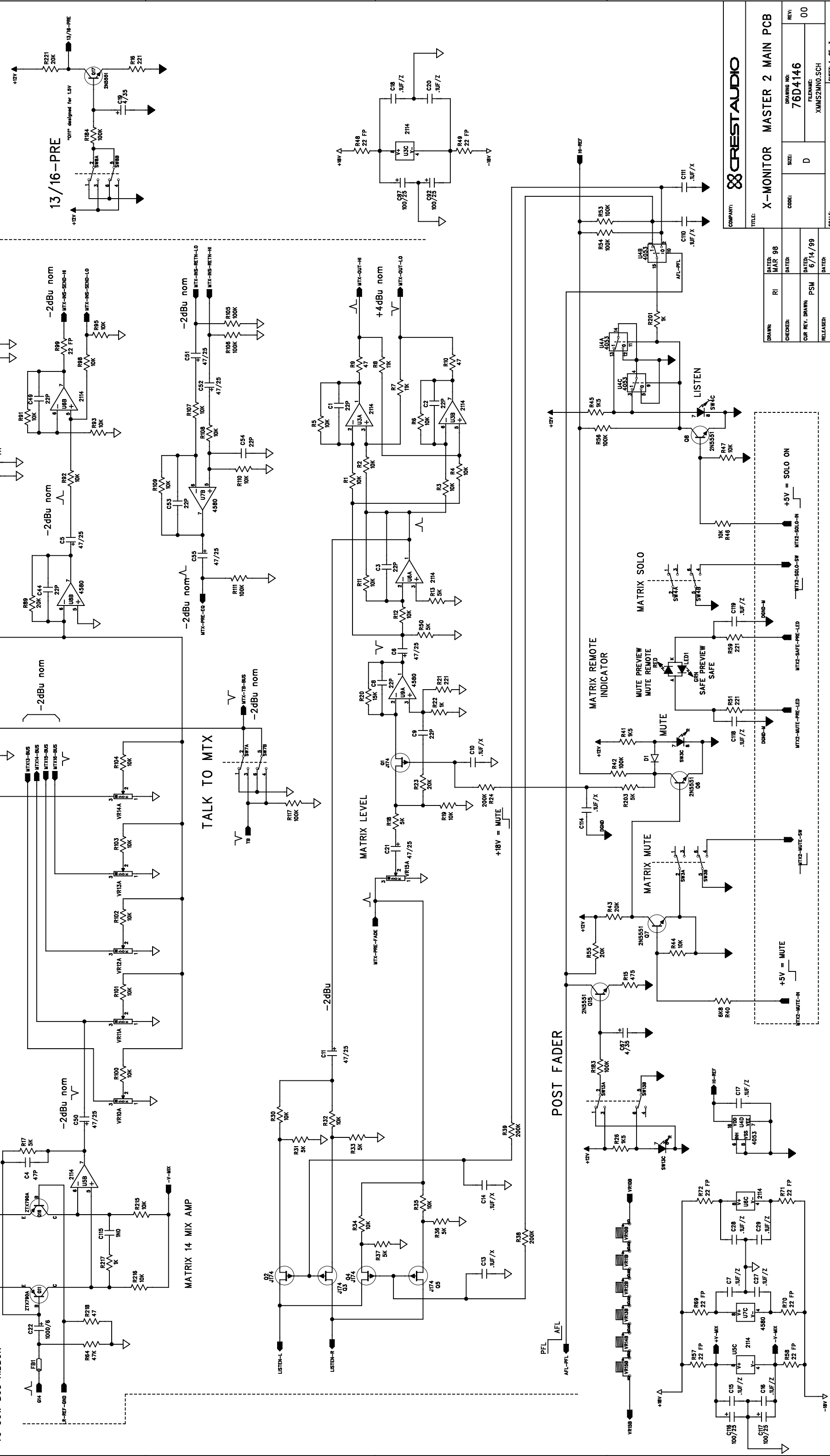
13/16-PRE

13/16-PRE

13/16-PRE

13/16-PRE

13/16-PRE



1

2

3

4

5

6

D

C

B

A

**CRESTAUDIO**

COMPANY: **CRESTAUDIO**

TITLE: **X-MONITOR MASTER 2 MAIN PCB**

DRAWN: **RI** DATE: **MAR 98**

CHECKED: **DATE:**

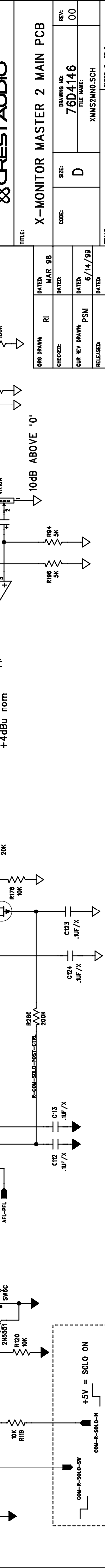
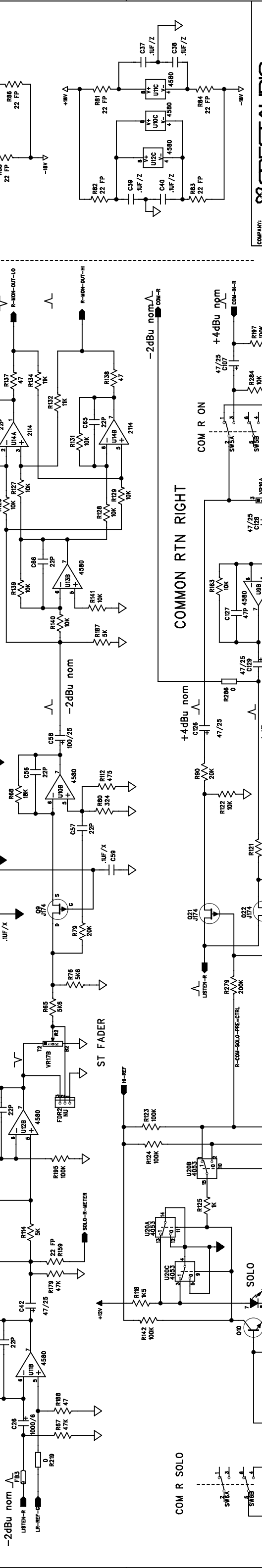
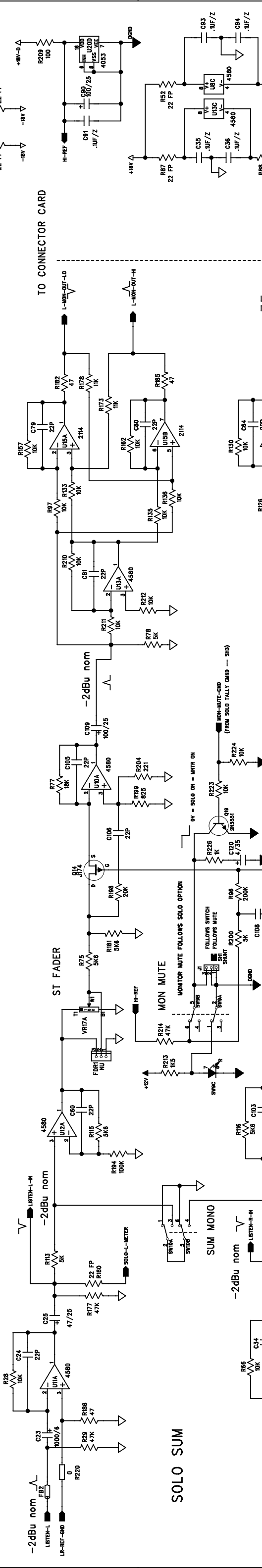
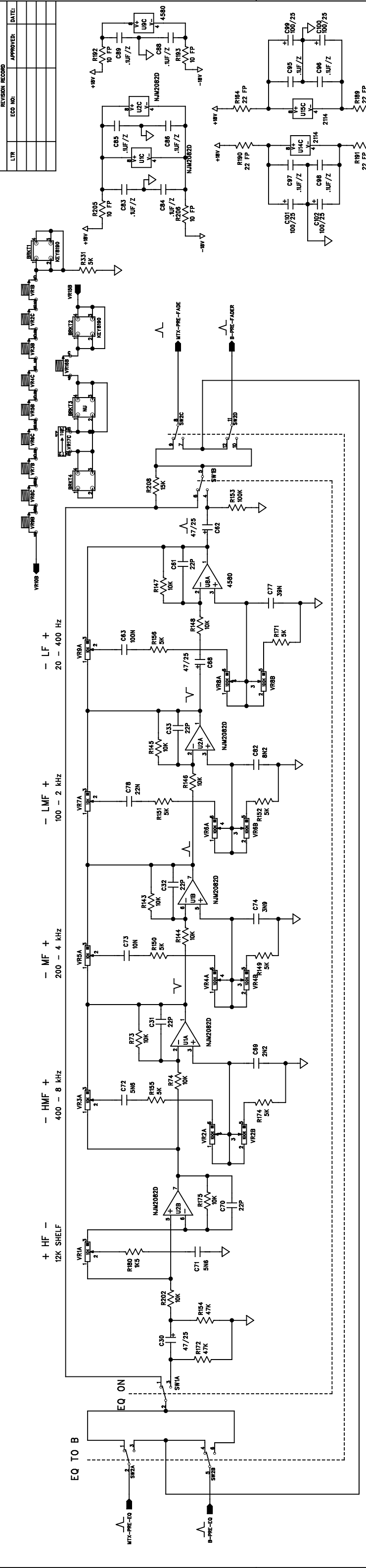
COR. REV. DRAWN: **PSM** DATE: **6/14/99**

REV: **00** DRAWING NO: **76D4146**

FILENAME: **XMONS2MNO.SCH**

SCALE: **SHEET 1 OF 3**

1  
2  
3  
4  
5  
6



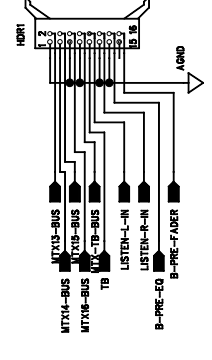
LTR	ECO NO.	APPROVED	DATE

REV	DATE	DESCRIPTION

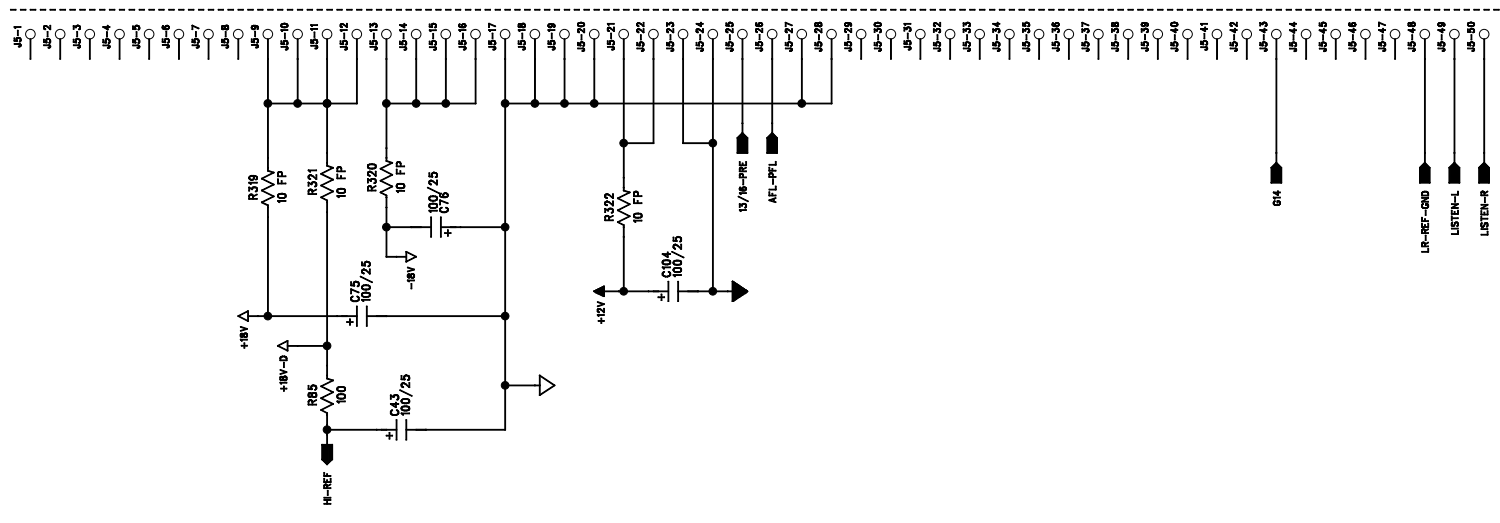
COMPANY: <b>CRESTAUDIO</b>	
TITLE: <b>X-MONITOR MASTER 2 MAIN PCB</b>	
DATE: <b>MAR 98</b>	REV: <b>00</b>
CHECKED: <b>RI</b>	DRAWING NO: <b>76D4146</b>
CAP REV: <b>PSM</b>	FILE NAME: <b>XMMS2MNO.SCH</b>
DATE: <b>6/14/99</b>	SIZE: <b>D</b>
RELEASED:	SHEET: <b>2 OF 3</b>

REVISION RECORD		
REV	DATE	DESCRIPTION

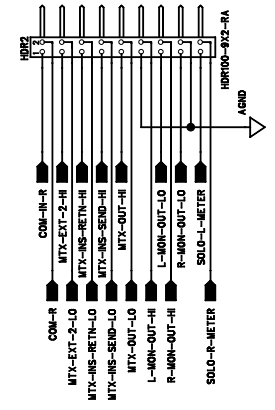
AUDIO TO BRIDGE CARD



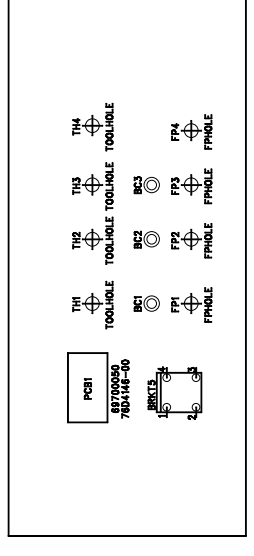
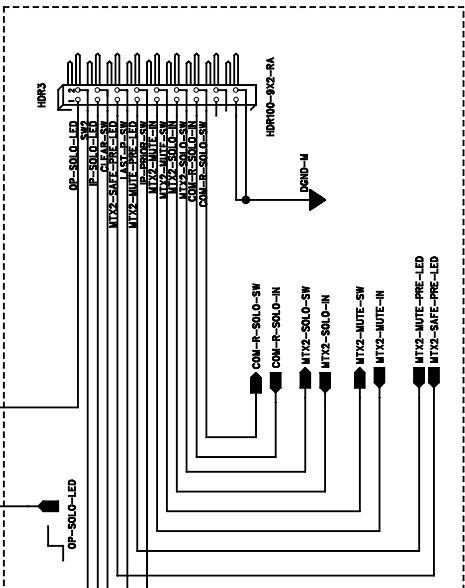
50W BUS RIBBON



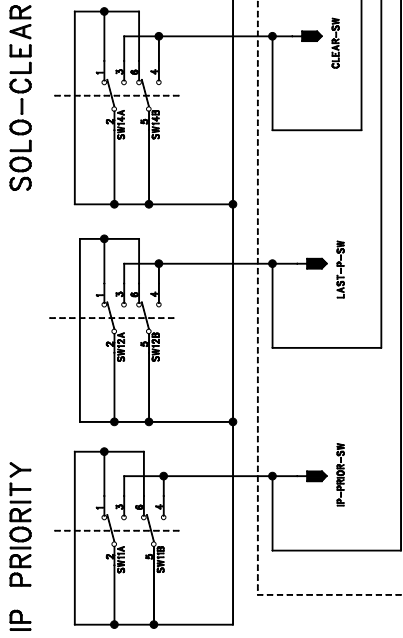
TO CONNECTOR CARD



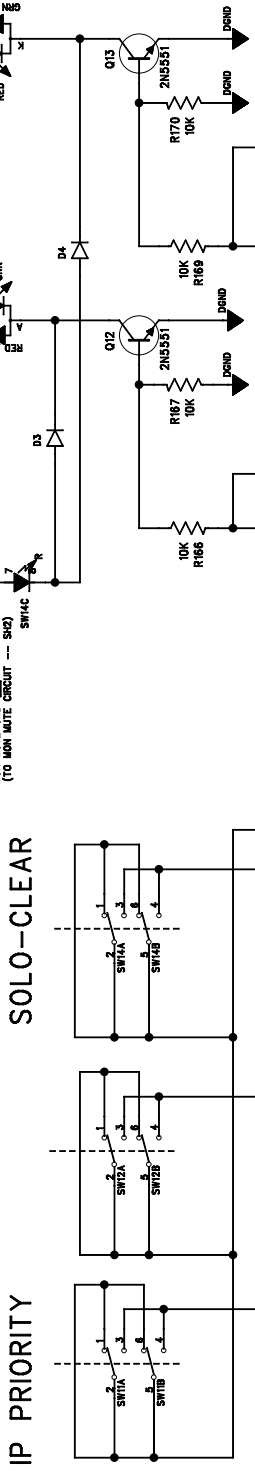
TO BRIDGE CARD



LAST PRESSED SOLO-CLEAR



IP PRIORITY



OP SOLO



REV LEVEL	ASMBLY LEVEL	DATE	ECO	ENG.	DESCRIPTION
A	A			RI	FIRST PROTO-BUILD
B	A	5/17/99	DC0976	PSM	<ul style="list-style-type: none"> <li>- CHANGED HF EQ SECTION TO OPERATE PROPERLY AS A NON-INVERTING STAGE</li> <li>- USED THE LR-REF-GND FOR THE SOLO MIX AMP.</li> <li>- CHANGED THE MATRIX MIX AMP TO USE A TRANSISTOR FRONT END.</li> <li>- THIS OPERATES AS A PSEUDO BALANCED STAGE FEEDING THE BASES</li> <li>- CHANGED HDR3 FROM 7X2 TO 9X2 HEADER TO INCLUDE DGND-M.</li> <li>- MOVED R-PRE-EQ ON HDR1 FROM PIN 15 TO PIN 14.</li> <li>- GATE SWAPS WITH U5 AND U8 TO IMPROVE TRACKING OF MATRIX SECTION.</li> <li>- HMF EQ CHANGES. C72: 3N9 TO 5N6, C69: 1N5 TO 2N2.</li> <li>- INCREASED GAIN IN SOLO FADERS. R77 &amp; R68: 15K TO 18K2.</li> </ul>
B	B	6/11/99	DC01004 DC01009	PSM	<ul style="list-style-type: none"> <li>- IMPROVE CROSSTALK BY CHANGING R113 AND R114 FROM 10K TO 5K (SOLO SUM TO MONO CIRCUIT)</li> <li>- RETRACK U9B TO KEEP COMMON RTN RIGHT FROM LEAKING INTO MATRIX</li> <li>- CHANGE SW14 FROM MOM YELLOW TO MOM RED.</li> <li>- MUTE TRIMS. R22: 2K0 TO 4K99, R21, 475R TO 274R, R119: 2K0 TO 1K0 R204: 274R TO 221R, R80: 2K0 TO 324R, R112: 274R TO 324R</li> <li>- COMMON RTN RIGHT GAIN CHANGE. R163: 3K TO 10K, R121: 10K TO 20K</li> </ul>
00	A	6/14/99	ECO3428	PSM	<ul style="list-style-type: none"> <li>- RAMP AFL/PFL CMD. C67: U1/CZAM TO 4U7/35V. DELETE R184,</li> <li>- ADD R15: 1K0 TO EMITTER OF Q15.</li> <li>- RAMP 13/16-PRE CMMD.</li> <li>- LINK MONITOR MUTE WITH SOLO COMMANDS. (INCLUDE DEFEAT OPTION)</li> <li>- REDUCE SOLO BLEED BY CHANGING R31, R33, R36-37: 10K0 TO 4K99.</li> <li>- REMOVE SOCKETS.</li> <li>- MUTE TRIMS: R21=221R, R22=1K0, R199=825R, R112=475R</li> </ul>
00	B	10/19/00	ECO 4087	TAZ	<ul style="list-style-type: none"> <li>- INCREASE CURRENT LIMIT ON AFL/PFL BUS. ON LARGE FRAME CONSOLES THE AFL/PFL CONTROL IS INTERMITTENT/OR NOT WORKING. CHANGE R15 FROM 1K0 TO 475R</li> </ul>

COMPANY: **CRESTAUDIO**

TITLE: **XMONITOR MASTER 2 MAIN PCB**

DATE: **MAR 98**

CHECKED: **RI**

DATE: **MAR 98**

CORPORATION: **PSM**

DATE: **6/14/99**

SCALE: **3 OF 3**

ECO NO:	APPROVED:	DATE:

DATE:	DATE:	DATE:	DATE:

DATE:	DATE:	DATE:	DATE:

DATE:	DATE:	DATE:	DATE:

DATE:	DATE:	DATE:	DATE:

DATE:	DATE:	DATE:	DATE:

DATE:	DATE:	DATE:	DATE:

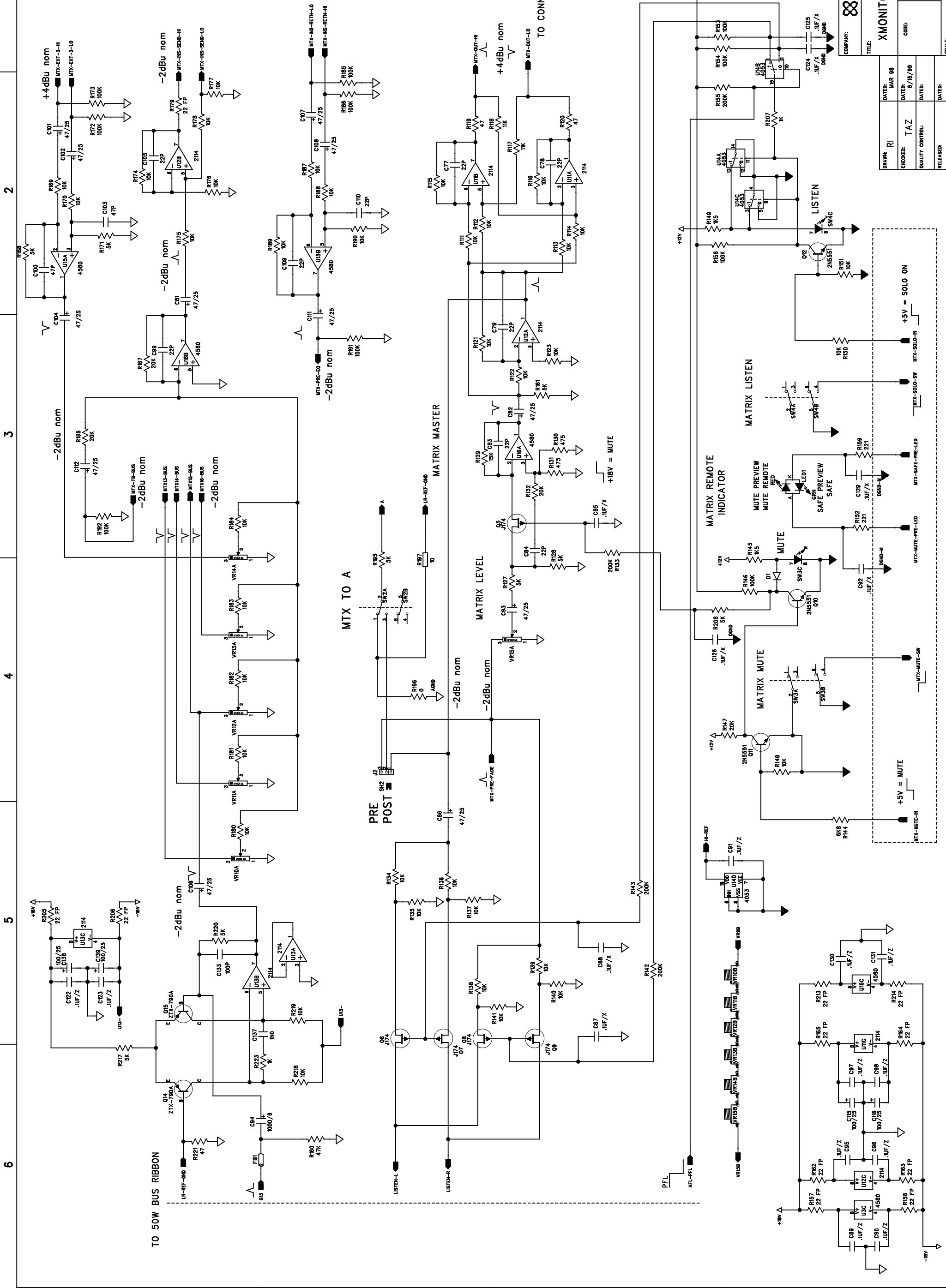
DATE:	DATE:	DATE:	DATE:

DATE:	DATE:	DATE:	DATE:

DATE:	DATE:	DATE:	DATE:

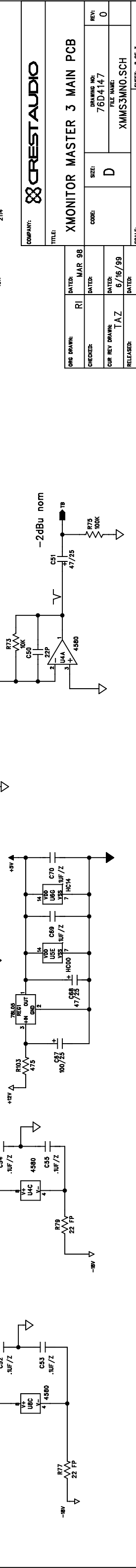
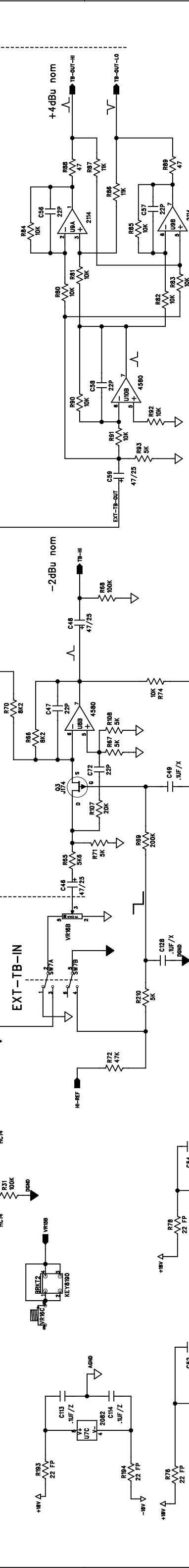
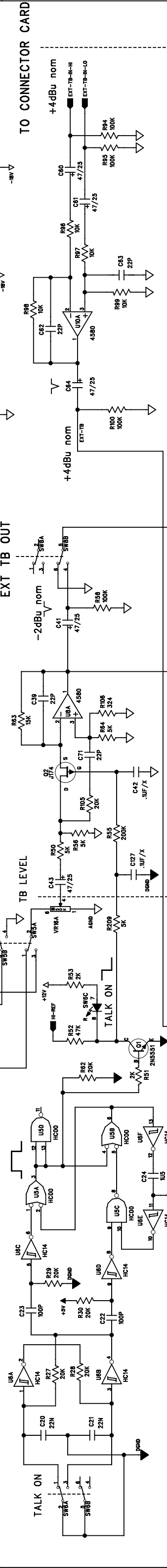
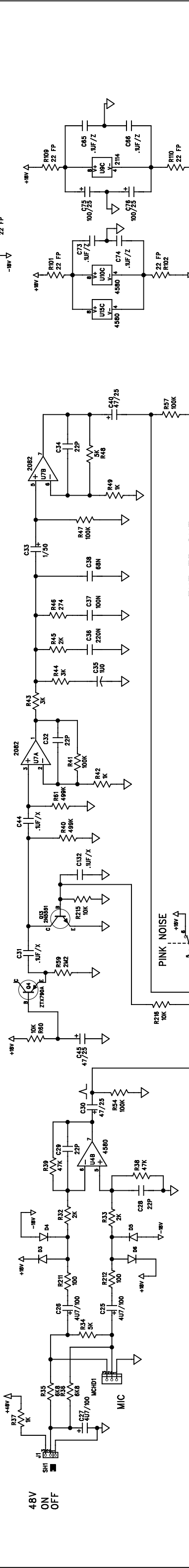
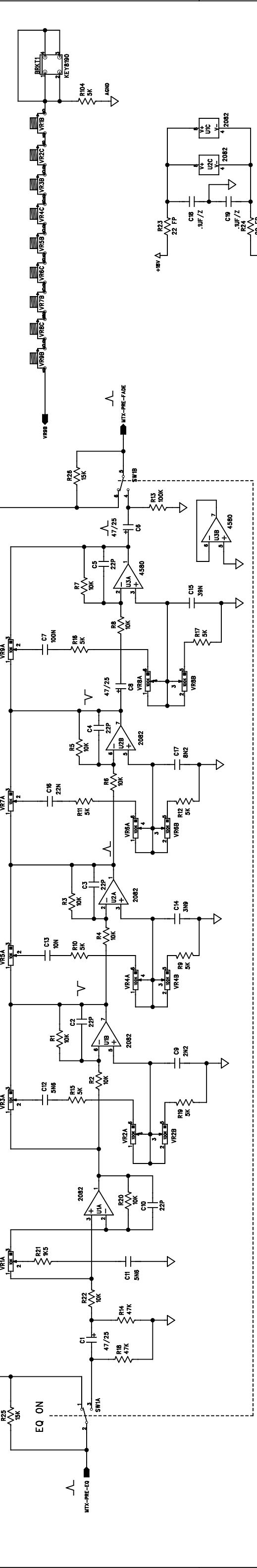
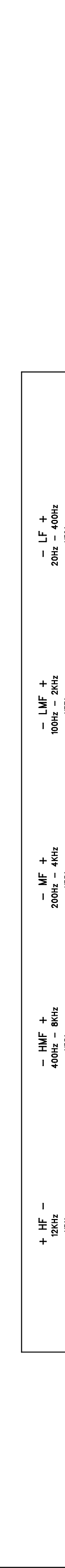
DATE:	DATE:	DATE:	DATE:

REVISION RECORD		
LTR	ECO NO.	APPROVED / DATE

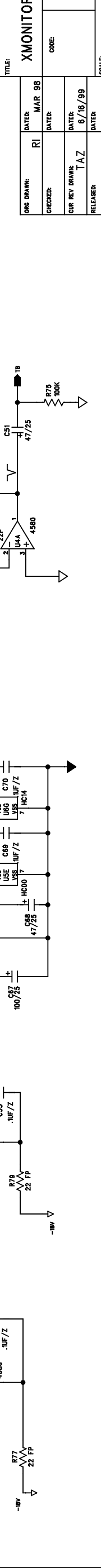


COMPANY: <b>CRESTAUDIO</b>	
TITLE: <b>XMONITOR MASTER 3 MAIN PCB</b>	
DRAWN: RI	DATE: MAR 98
CHECKED: TAZ	DATE: 6/18/99
QUALITY CONTROL:	DATE:
RELEASED:	DATE:
CODE:	SIZE:
DRAWING NO: 76D4147	FILE NAME: XMMS3MNO.SCH
REV: 00	SCALE: SHEET: 1 OF 3

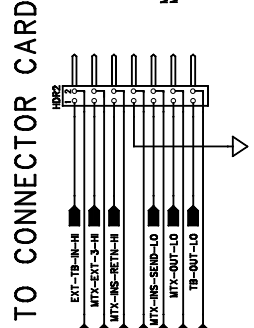
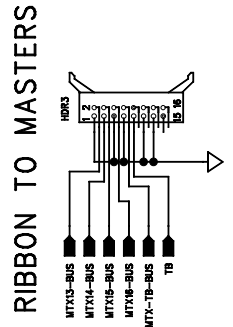
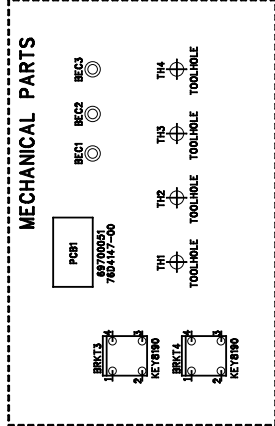
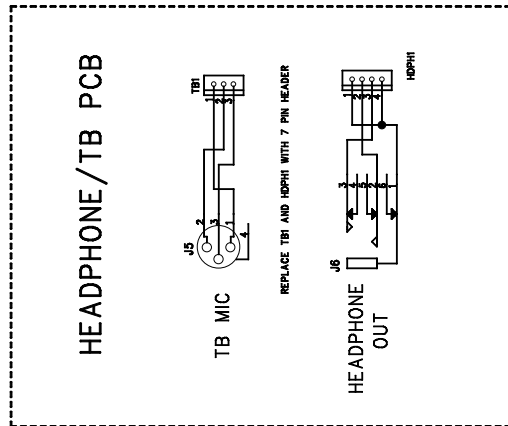
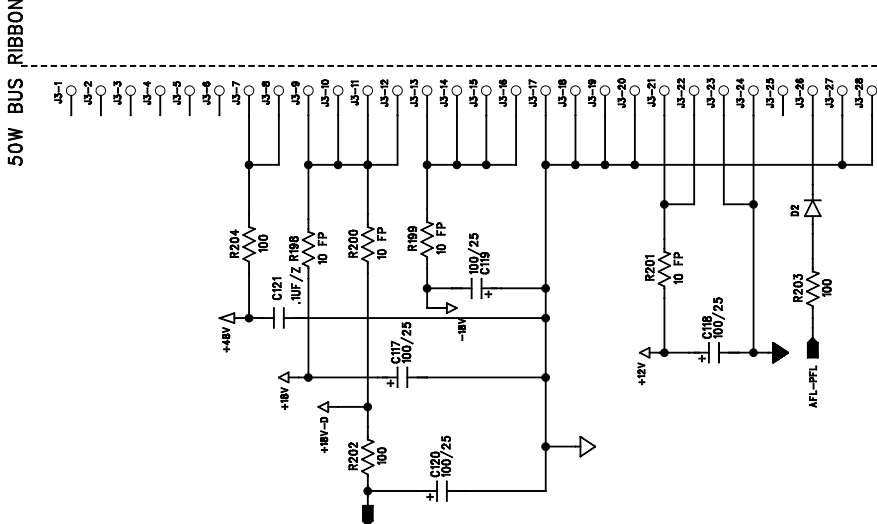
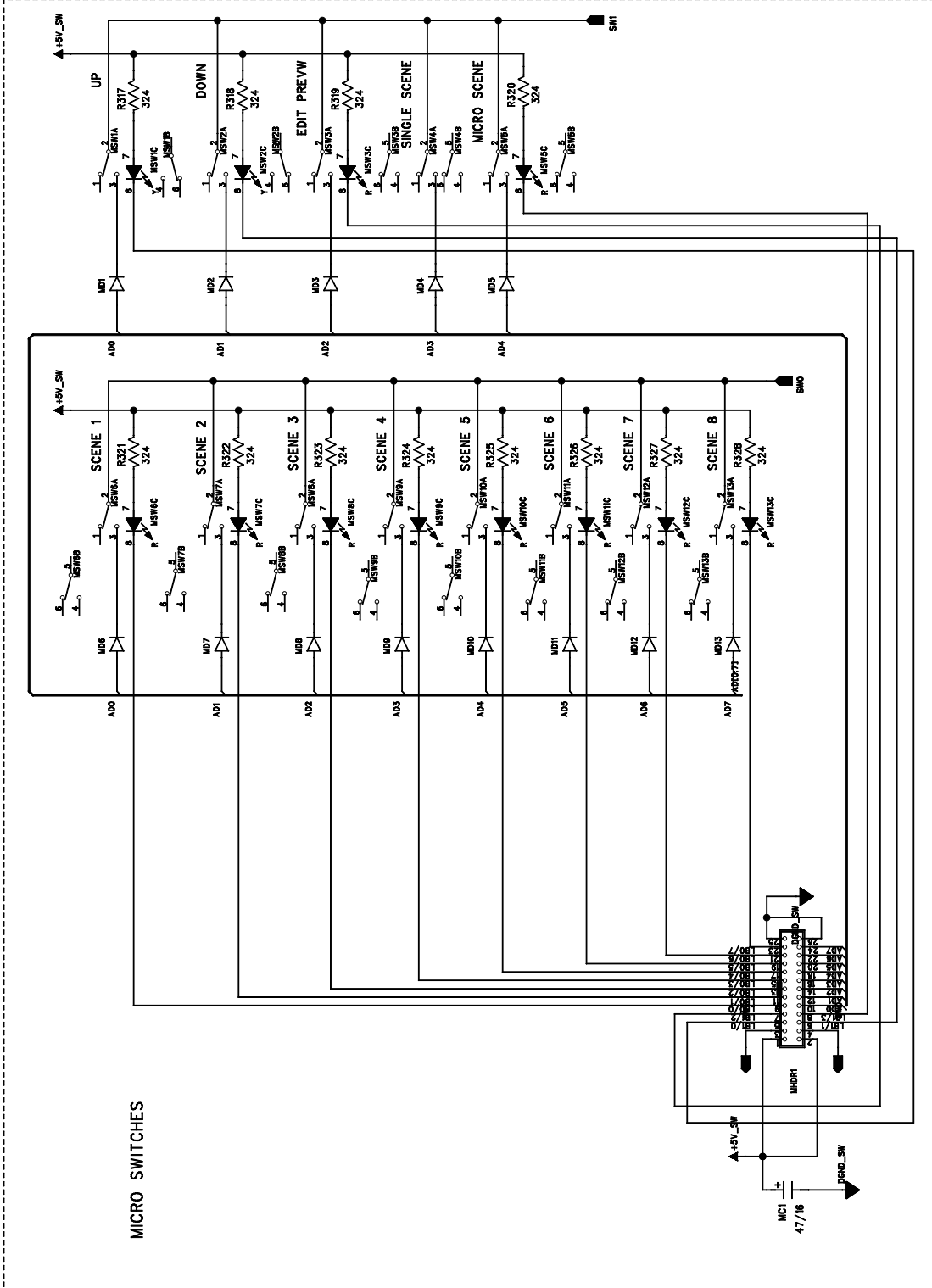
REVISION RECORD		
L.T.R.	ECO NO.	APPROVED DATE



COMPANY:	CRESTAUDIO		
TITLE:	XMONITOR MASTER 3 MAIN PCB		
DATE:	MAR 98	DATE:	MAR 98
CHECKED:	RI	DATE:	6/16/99
DATE:	6/16/99	DATE:	6/16/99
FILE NAME:	XMM53MNO.SCH		
SCALE:	2 OF 3		



LTR.	ECO NO.	APPROVER	DATE

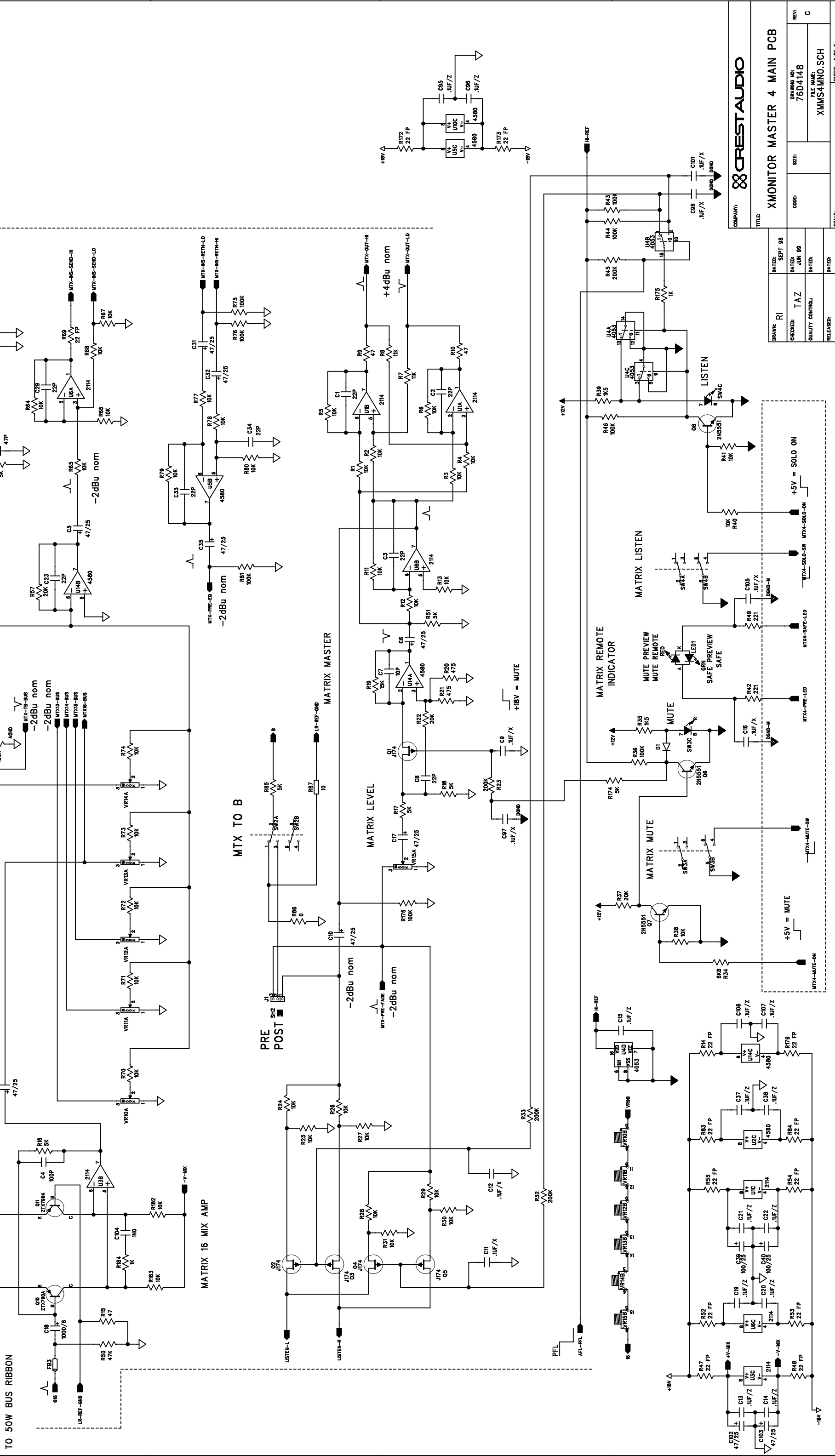


TO MICRO BRIDGE CARD

REVISION RECORD			DESCRIPTION		
REV LEVEL	ASMBLY LEVEL	DATE	ECO	ENG.	
B	A	5/18/99	DC0978	TAZ	NEW MATRIX MIX AMP ADDITION OF U16 TO IMPROVE LAYOUT ON MATRIX SECTION TO REDUCE X-TALKS ADD DIODE CLAMPS TO TALKBACK STAGE REDUCE X-TALK TO PINK NOISE GENERATOR BY CHANGING SWITCHING METHOD INCREASE PCB LENGTH BY 0.060", IMPROVE CONNECTION TO CONN PCB
B	B	6/4/99	DC0998	TAZ	MUTE TRIMS CHANGE R131 FROM 2K0 TO 475R, R106 FROM 4K99 TO 324R
00	A	6/16/99	EC03440	TAZ	PCB REVISION FROM B TO 00 - SILKSCREEN CHANGE, REMOVE IC SOCKETS
00	B	7/16/99	3518	PSM	- CHANGED R217 (10K TO 4K99) ON THE G15 MIX AMP TO REDUCE COMMON MODE DC VOLTAGE ON THE OP-AMP INPUTS.



REVISION RECORD	
DATE	APPROVED / DATE



**CRESTAUDIO**

**XMONITOR MASTER 4 MAIN PCB**

COMPANY: **CRESTAUDIO**

TITLE: **XMONITOR MASTER 4 MAIN PCB**

DATE: SEPT 98

DRAWN: RI

CHECKED: TAZ

QUALITY CONTROL:

RELEASED:

CODE:

SIZE:

DRAWING NO: **76D4148**

FILE NAME: **XMMS4MNO.SCH**

REV: **C**

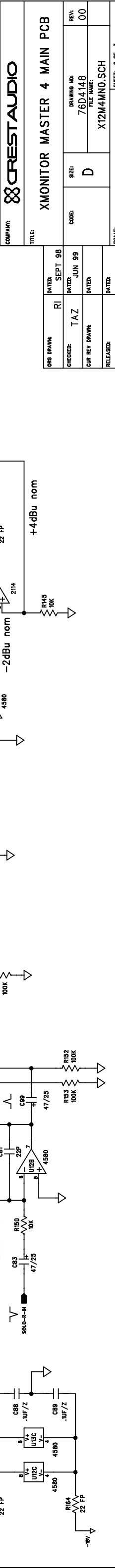
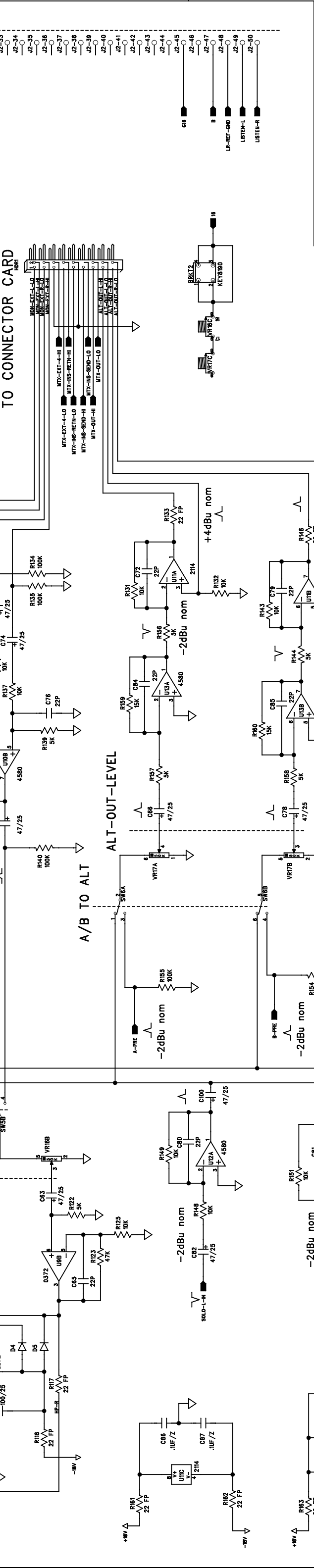
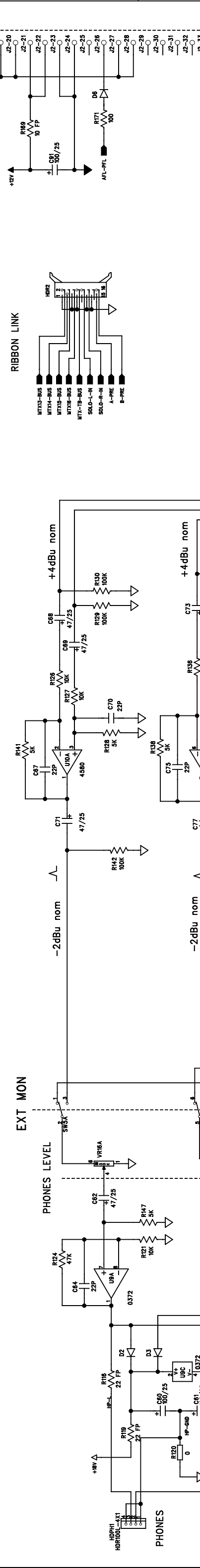
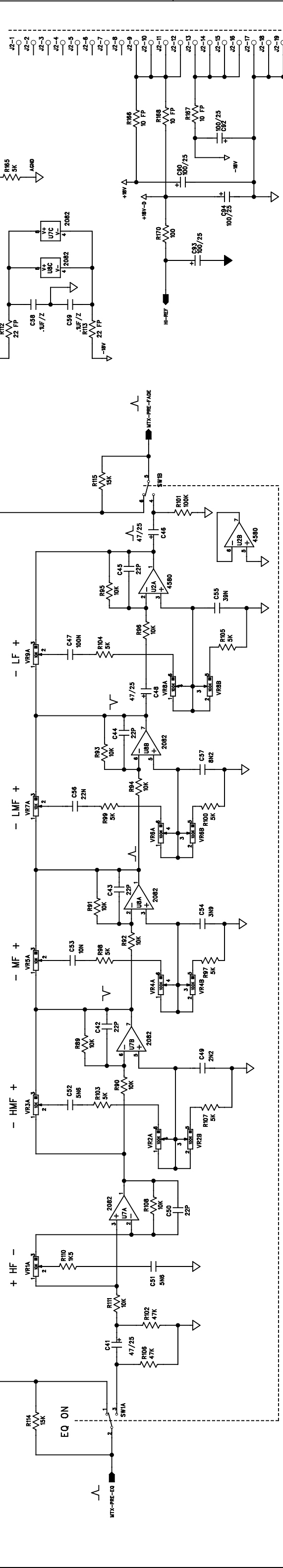
SCALE:

SHEET: 1 OF 3

1 2 3 4 5 6

LTR.	REV. NO.	APPROVED	DATE

50W BUS RIBBON



COMPANY: **CRESTAUDIO**

TITLE: **XMONITOR MASTER 4 MAIN PCB**

DATE: **SEPT 98**

CHECKED: **TAZ**

DATE: **JUN 99**

DESIGNED: **RI**

DATE: **SEPT 98**

REV: **00**

DRAWING NO: **76D414B**

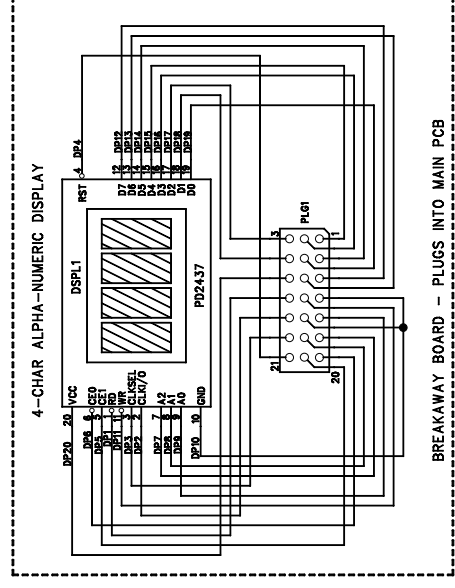
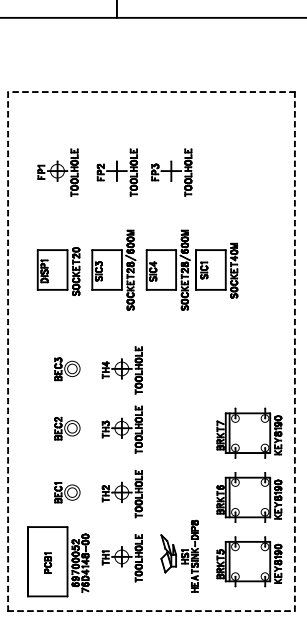
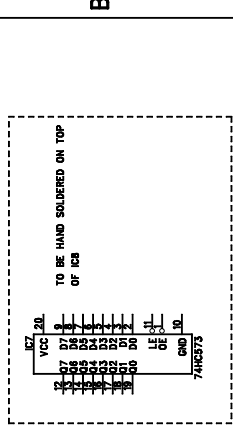
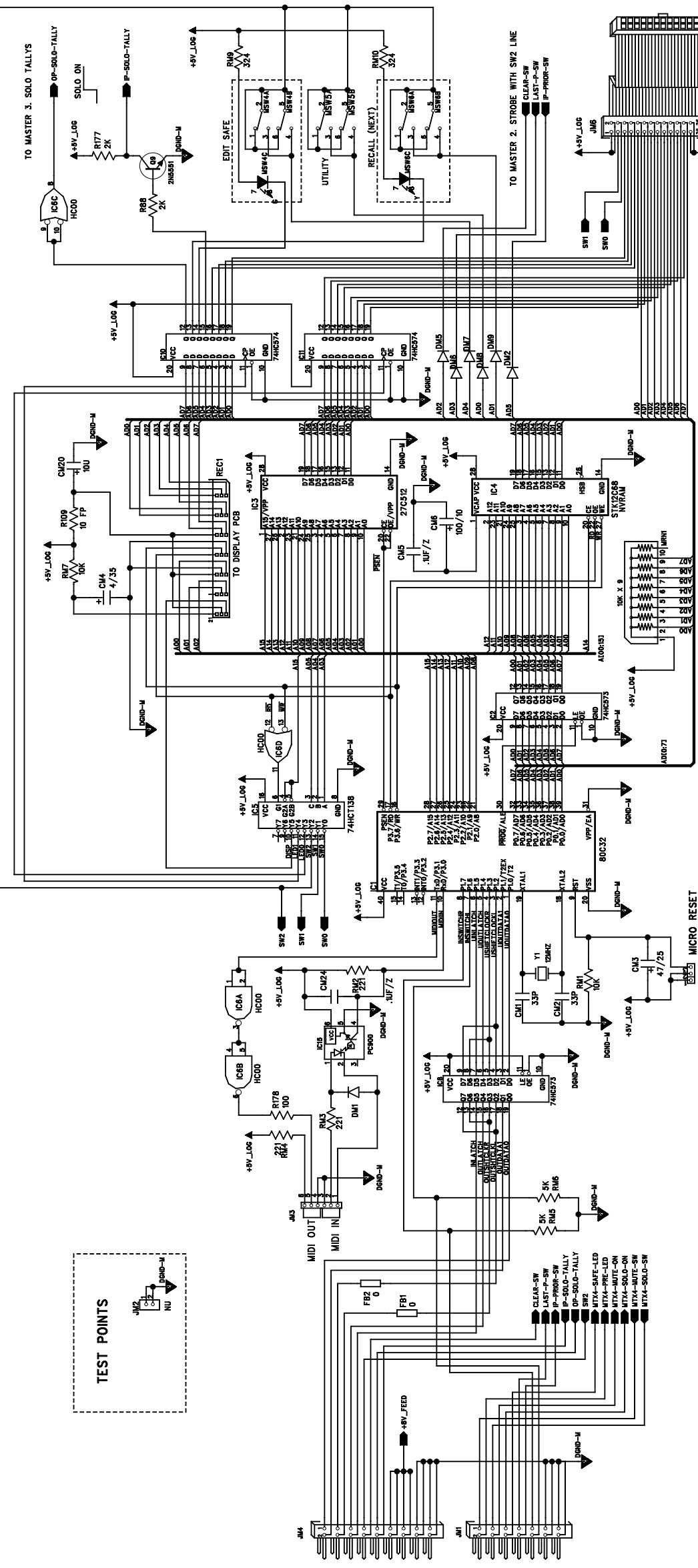
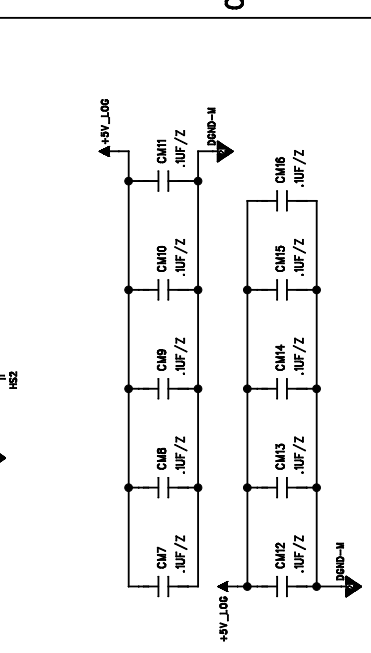
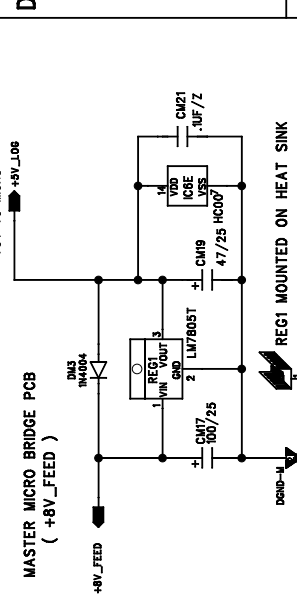
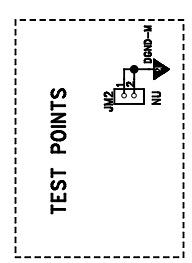
FILE NAME: **X12M4MNO.SCH**

SIZE: **D**

CODE: **D**

SCALE: **SHEET: 2 OF 3**

LTR.	ECO NO.	APPROVED	DATE



BREAKAWAY BOARD - PLUGS INTO MAIN PCB

REV LEVEL	ASMBY LEVEL	DATE	ECO	ENG.	DESCRIPTION
A	A			RI	PROTOTYPE PCB
B	A	5/21/99	DC0982	TAZ	PCB REVISION A TO B CHANGE OF MIX AMP TOPOLOGY IMPROVEMENT OF MIX X-TALK'S BY ADDING U14 CHANGED SWITCH MAP OF MSW4 TO AVOID CONFLICT INVERTED IP AND OP SOLO TALLIES CHANGED MIDI CON TO 6WAY R/Y AND ADDED BUILD OUT RESISTOR (R178). MUTE TRIM CHANGE R21 FROM 2K0 TO 475R. MANUALLY MODIFY HF OF EQ SO THAT PINS AND PIN1 OF VRT ARE SWAPPED (CUT/BOOST REVERSED)
B	B	6/4/99	DC0999	TAZ	PCB REVISION B TO 00 - TO CORRECT ABOVE MOD
00	A	6/4/99	ECO3418	TAZ	- CHANGED R181 (10K TO 4K99) OF THE G16 MIX AMP TO REDUCE COMMON MODE DC AT THE INPUTS OF THE OP-AMP.
00	B	7/16/99	3518	PSM	- PROBLEMS WITH MICRO COMMUNICATION ON NEW LARGE FRAME SIZES (64) CHANGED FB1 AND FB2 FROM FERRITE BEADS TO OR RESISTORS.
00	C	7/05/00	3975	TAZ	- PROBLEMS WITH MICRO COMMUNICATION ON NEW LARGE FRAME SIZES (64) ADDED IC7.
00	C	11/28/00	4129	TAZ	

COMPANY:	<b>CREST AUDIO</b>
TITLE:	<b>XMONITOR MASTER 4 MAIN PCB</b>

DATE:	7 SEPT 98
DATE:	JUN 99
DATE:	
DATE:	

DATE:	7 SEPT 98
DATE:	JUN 99
DATE:	
DATE:	

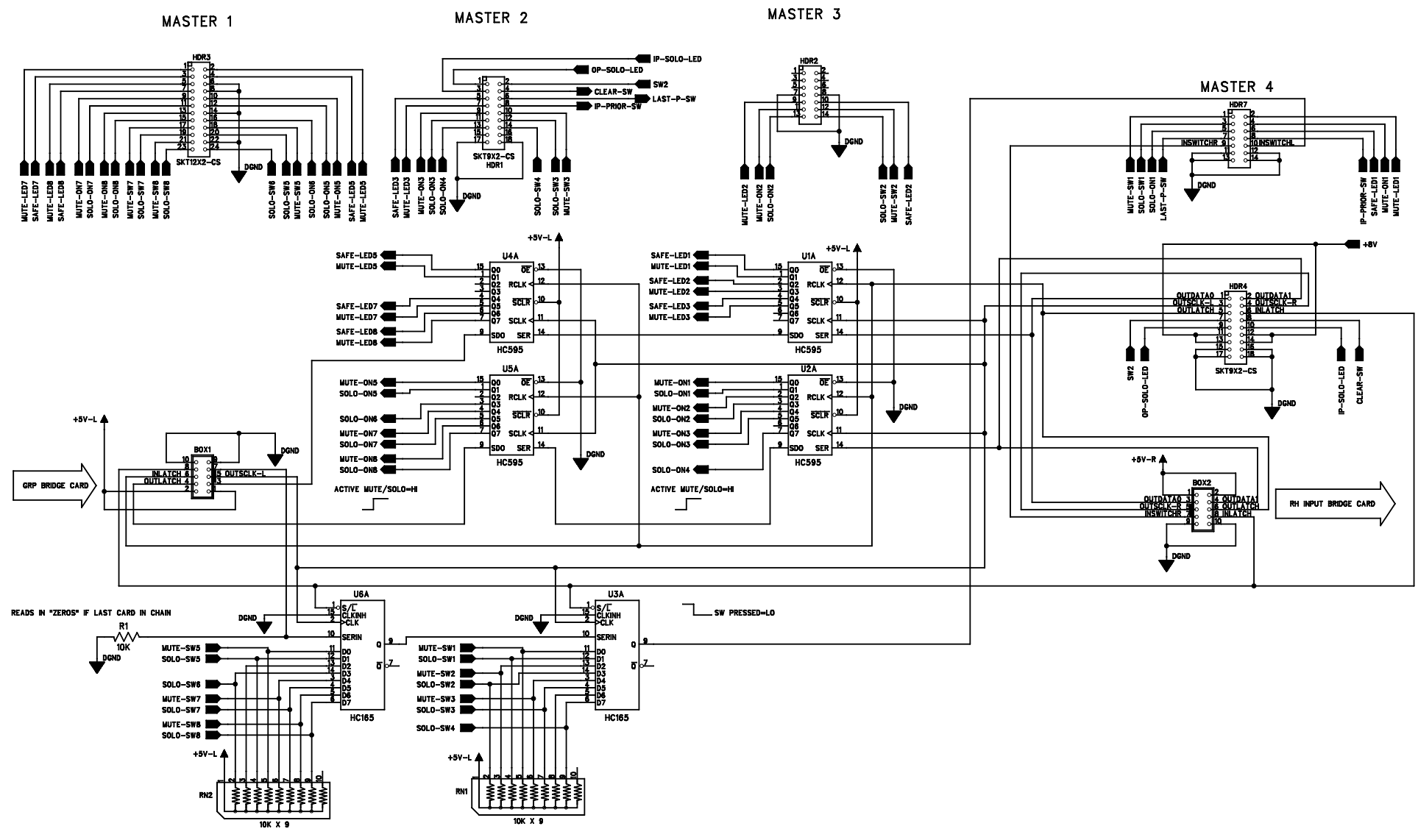
DATE:	7 SEPT 98
DATE:	JUN 99
DATE:	
DATE:	

DATE:	7 SEPT 98
DATE:	JUN 99
DATE:	
DATE:	

DATE:	7 SEPT 98
DATE:	JUN 99
DATE:	
DATE:	

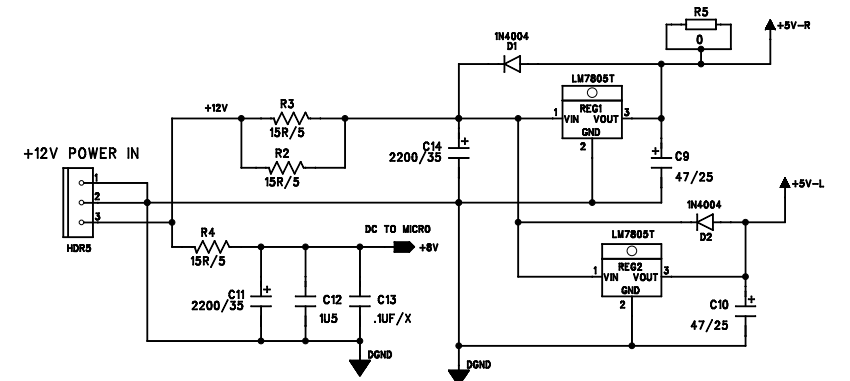
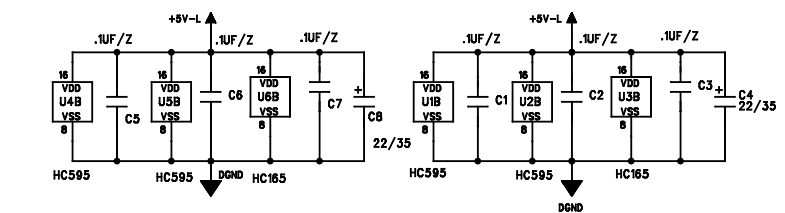
DATE:	7 SEPT 98
DATE:	JUN 99
DATE:	
DATE:	

REVISION RECORD			
LTR	ECO NO.	APPROVED:	DATE:

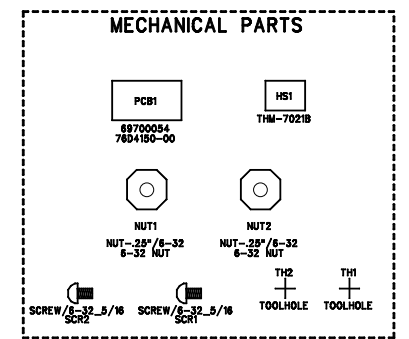


THE NUMBERS ON SIGNALS GOING TO MASTER BOARDS REFER TO THE FOLLOWING SIGNALS:

- 1 = MTX4 -- OUTPUT SOLO CMDS
- 2 = MTX3 -- OUTPUT SOLO CMDS
- 3 = MTX2 -- OUTPUT SOLO CMDS
- 4 = COM RETN R -- INPUT SOLO CMDS
- 5 = MTX1 -- OUTPUT SOLO CMDS
- 6 = COM RETN L -- INPUT SOLO CMDS
- 7 = LEFT -- OUTPUT SOLO CMDS
- 8 = RIGHT -- OUTPUT SOLO CMDS



REVISION RECORD					
REV LEVEL	ASMBLY LEVEL	DATE	ECO	ENG.	DESCRIPTION
A	A			RI	PROTOTYPE RELEASE
B	A	5/20/99	DC0981	PSM	- CHANGED HDR1 FROM 7X2 TO 9X2 HEADER. (ADDED DGND TO MASTER 2) - SWAPPED DGND AND +8V PINS ON HDR 4 (TO MATCH MASTER 4) - CHANGED ALL "PRE-LED" SIGNALS TO "MUTE LED" SIGNALS EXAMPLE: PRE-LED7 --> MUTE-LED7 - CHANGED ALL "PRE-LED" SIGNALS TO "MUTE LED" SIGNALS - CHANGED HDR2 PIN9 FROM "SAFE-LED2" TO MUTE-LED2" - CHANGED HDR2 PIN 10 FROM "PRE-LED2" TO "SAFE-LED2"
00	A	6/16/99	ECO 3442	PSM	- ROTATED BOX 2 10-WAY BOX HEADER FOR PROPER RIBBON LEAD-IN.



COMPANY: **CREST AUDIO**

TITLE: **XMONITOR MASTER MODULE  
MICRO BRIDGE BOARD - 4 CHANNELS**

ORG DRAWN: RI	DATED: 9/98	CODE: D	SIZE: DRAWING NO: 76D4150 FILE NAME: XMMSBRO.SCH	REV: 00
CHECKED:	DATED:			
CUR REV DRAWN: PSM	DATED: 6/16/99			
RELEASED:	DATED:			

SCALE:

6

5

4

3

2

1

REVISION RECORD		
ECO NO:	APPROVED:	DATE:

D

C

B

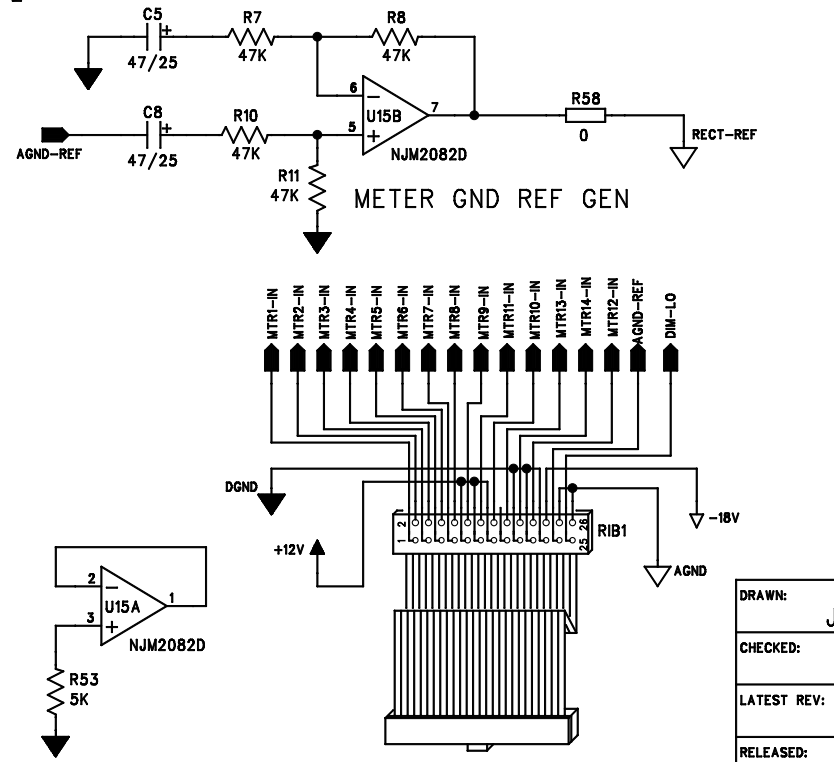
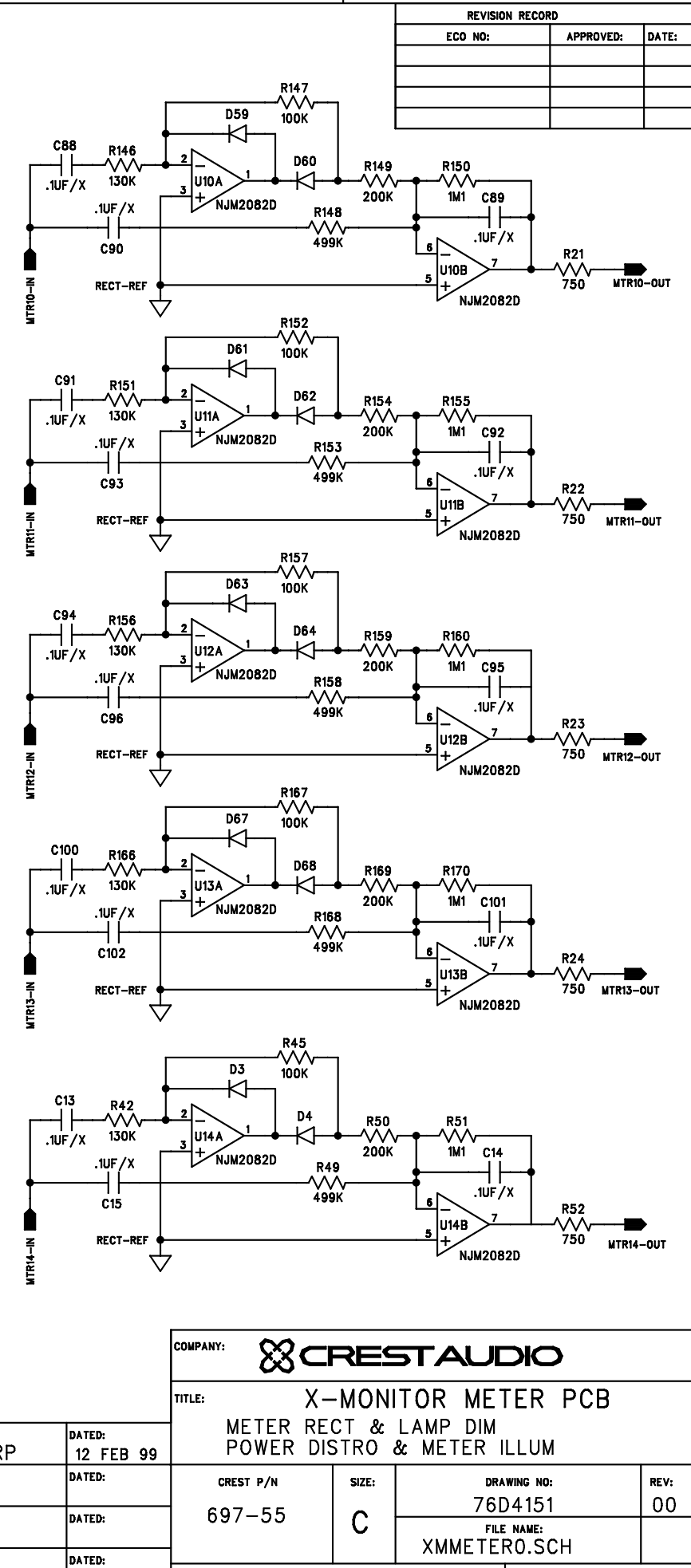
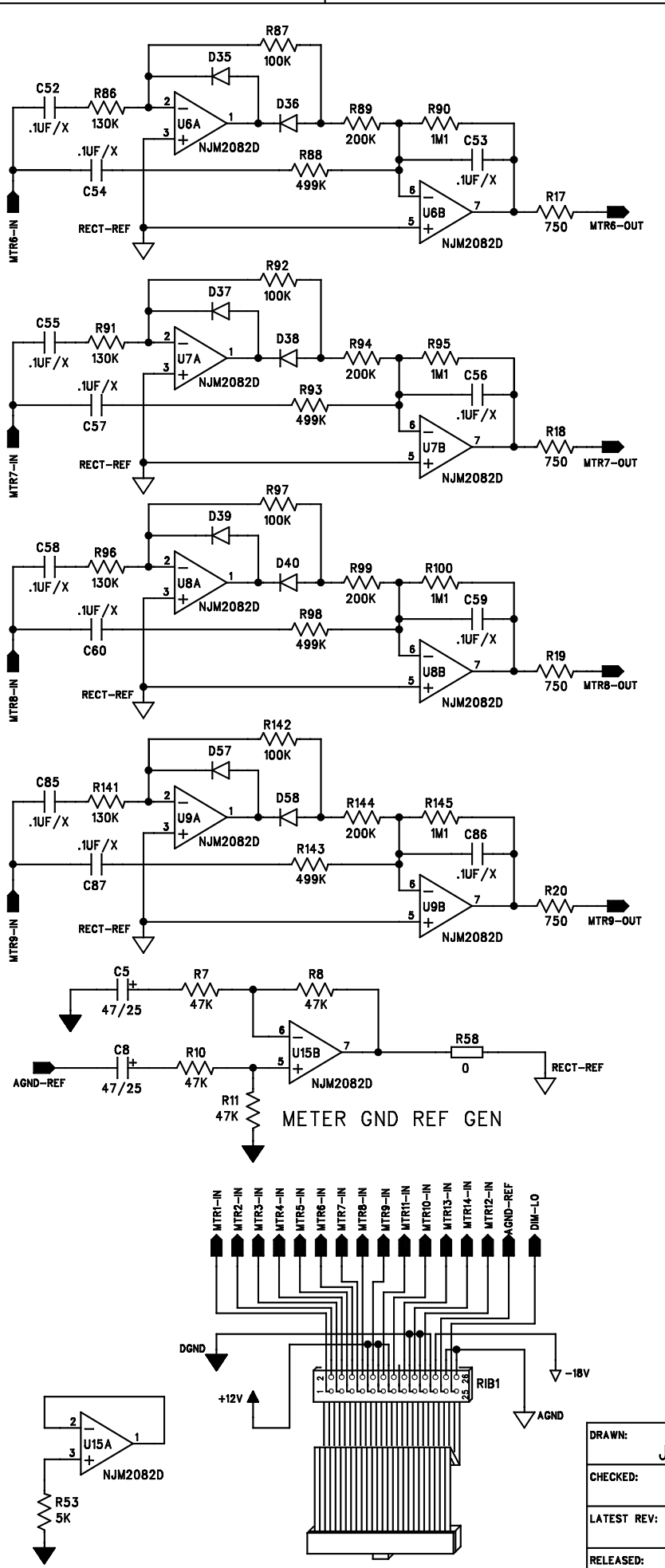
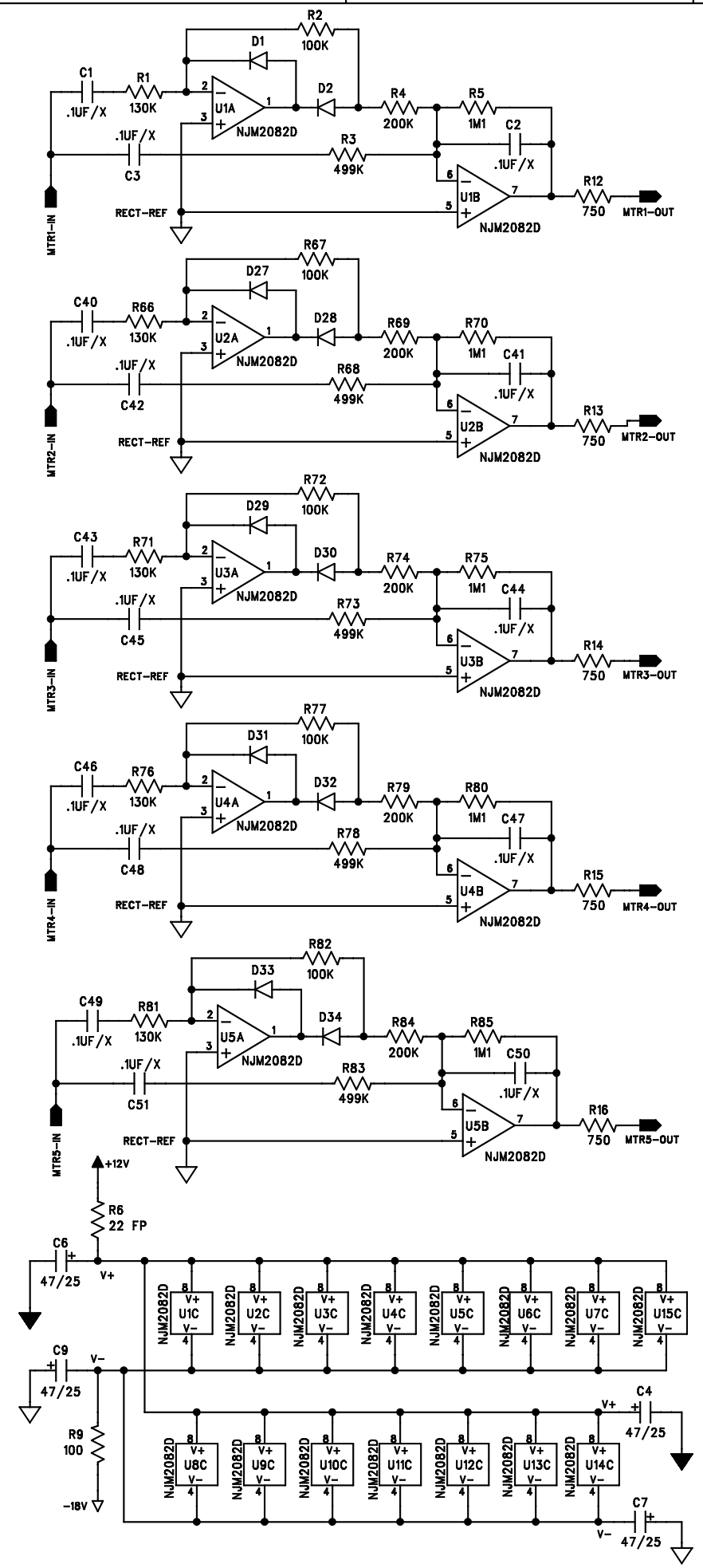
A

D

C

B

A



COMPANY: **CREST AUDIO**

TITLE: **X-MONITOR METER PCB**  
**METER RECT & LAMP DIM**  
**POWER DISTRO & METER ILLUM**

CREST P/N	SIZE:	DRAWING NO:	REV:
697-55	C	76D4151	00
FILE NAME:		XMMETER0.SCH	
SCALE:		SHEET: 1 OF 2	

DRAWN:	DATED:
JRP	12 FEB 99
CHECKED:	DATED:
LATEST REV:	DATED:
RELEASED:	DATED:

6

5

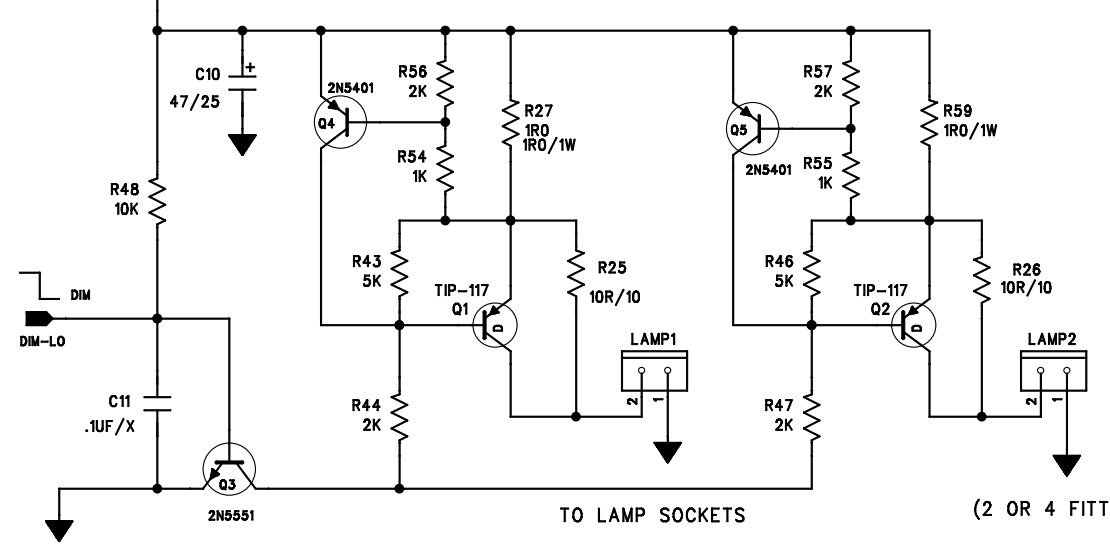
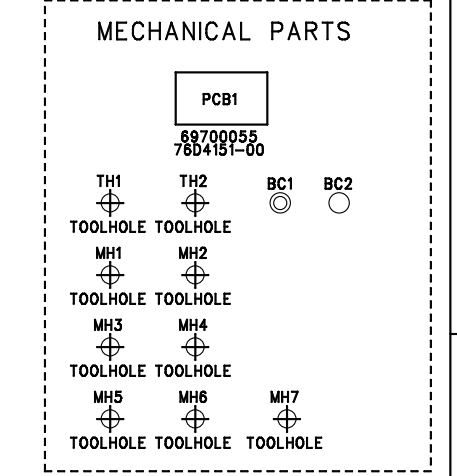
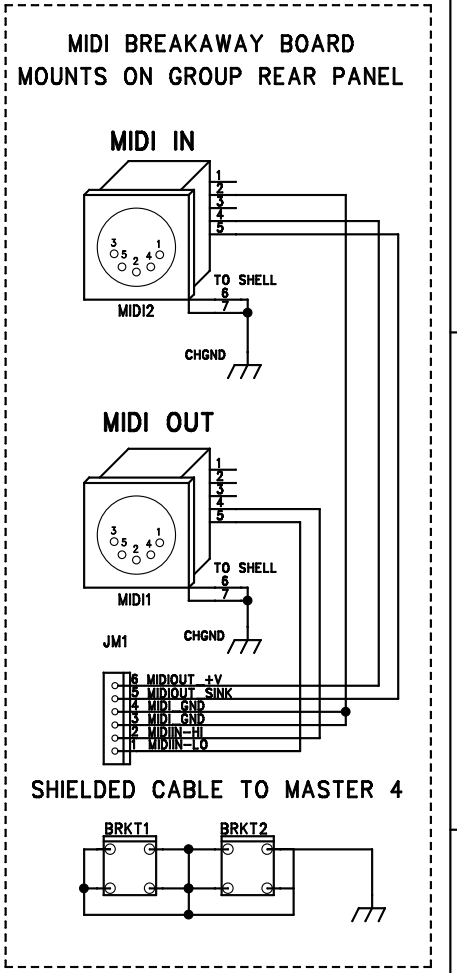
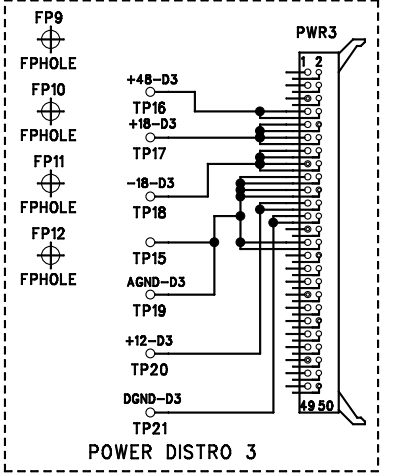
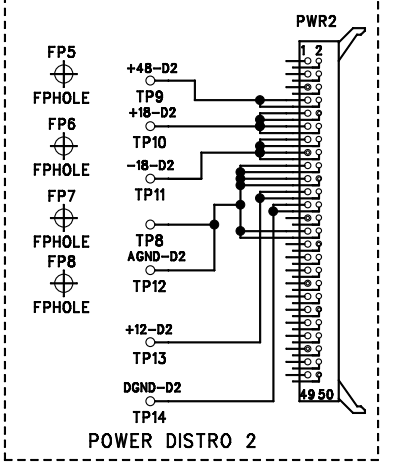
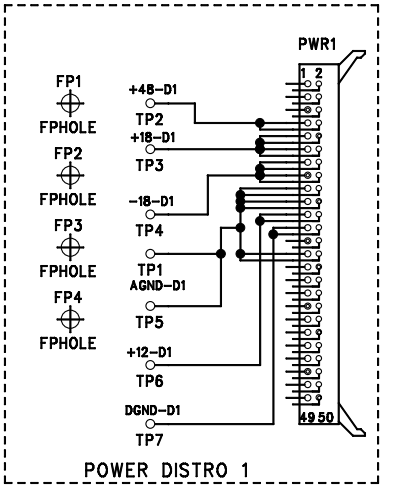
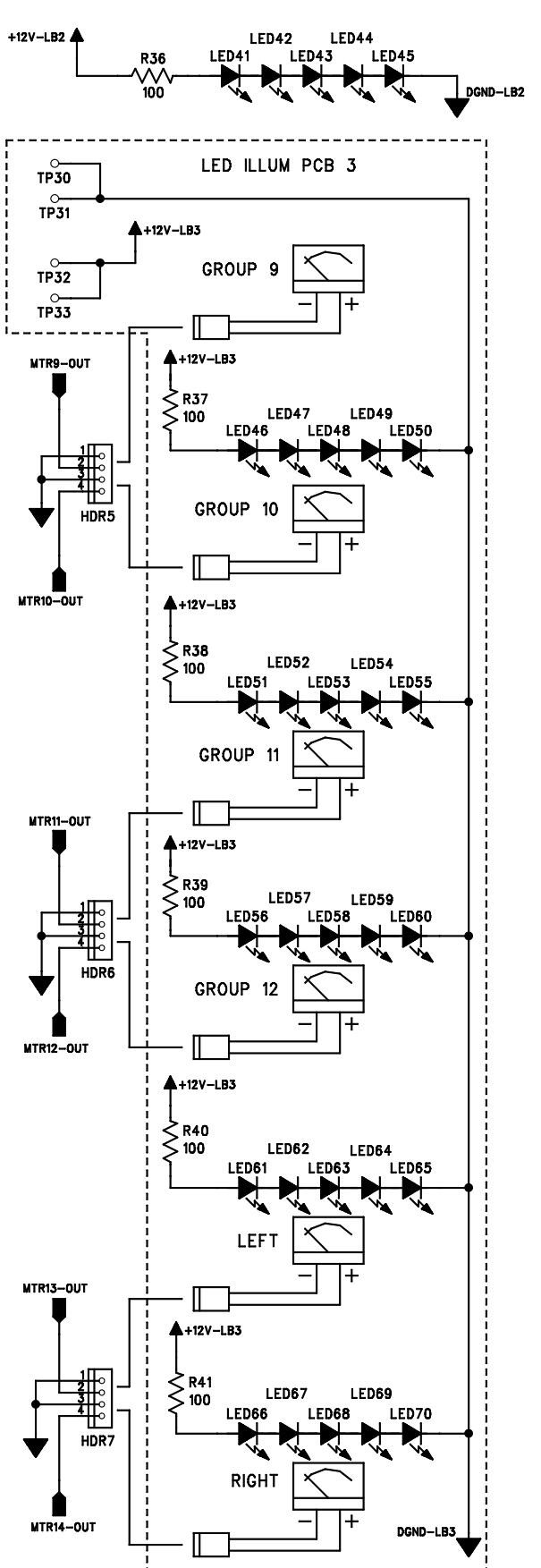
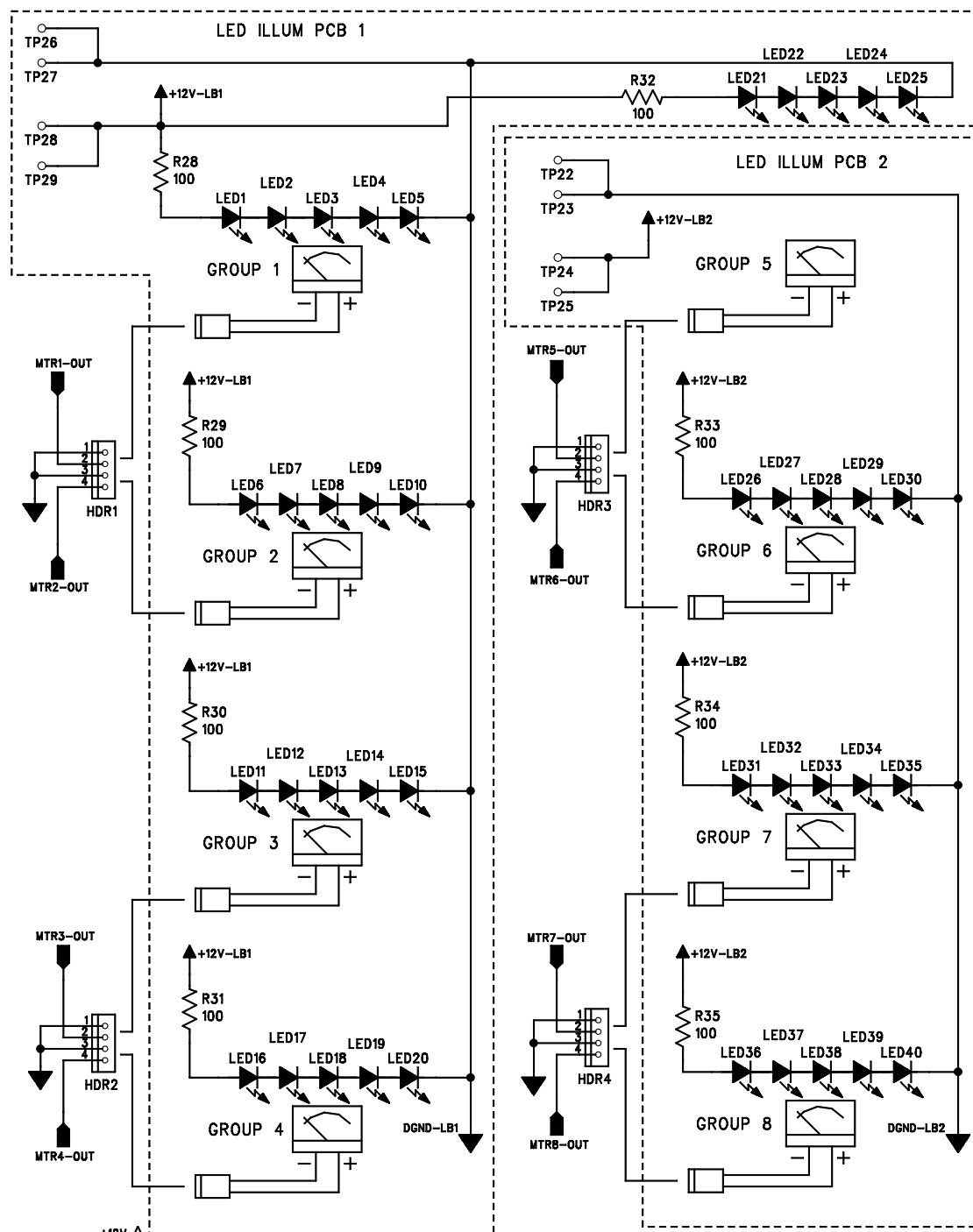
4

3

2

1

REVISION RECORD			
LTR	ECO NO:	APPROVED:	DATE:



COMPANY: **CREST AUDIO**

TITLE: **X-MON METER RECT & LAMP DIM PCB PLUS POWER DISTRO & METER ILLUM**

DRAWN: JRP	DATED: 12 FEB 99	CODE: 697-55	SIZE: C	DRAWING NO: 76D4151	REV: 00
CHECKED:	DATED:	FILE NAME: XMMETER0.SCH		SHEET: 1 OF 2	
QUALITY CONTROL:	DATED:	SCALE:			
RELEASED:	DATED:				

D

C

B

A

D

C

B

A