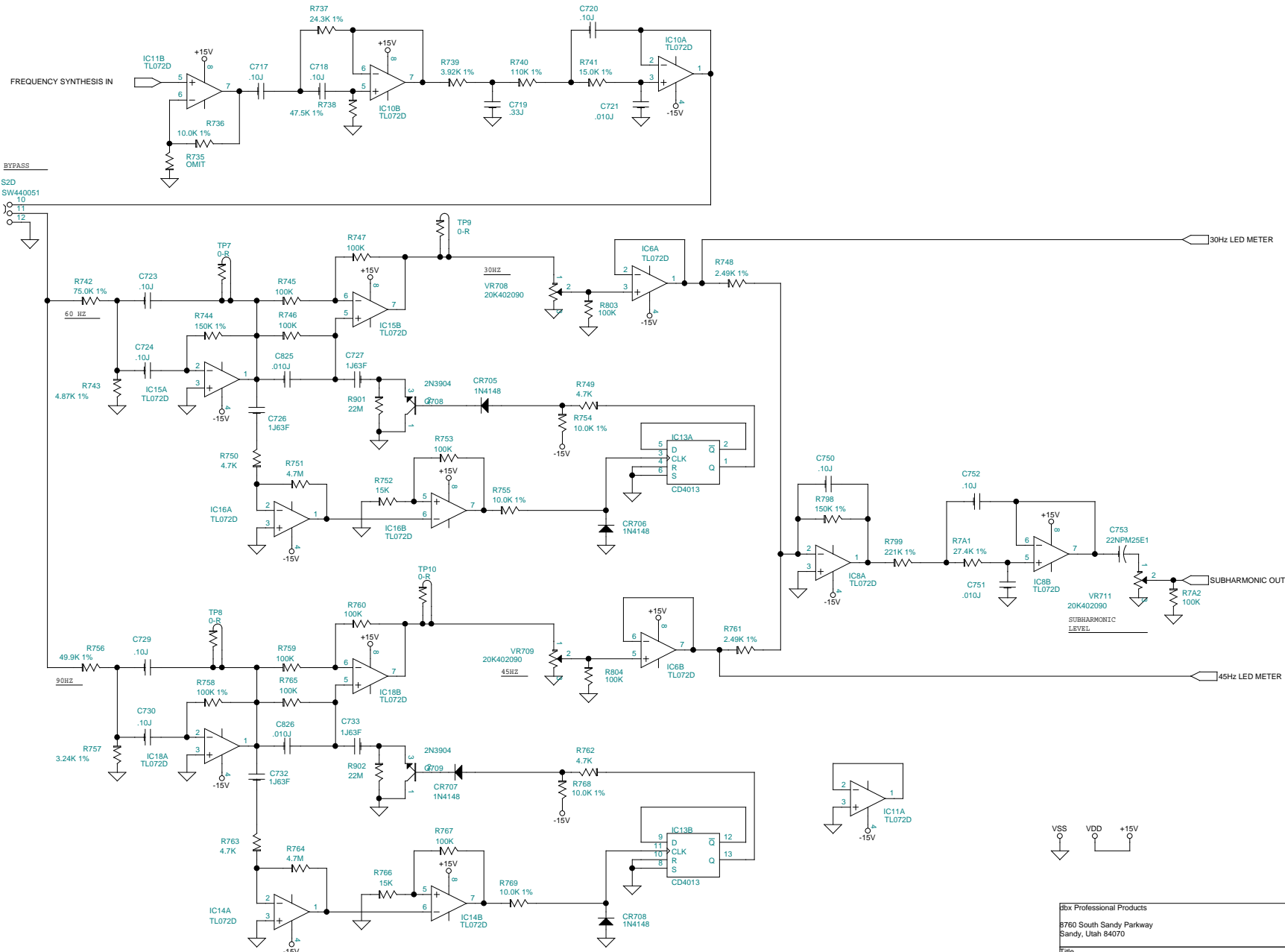
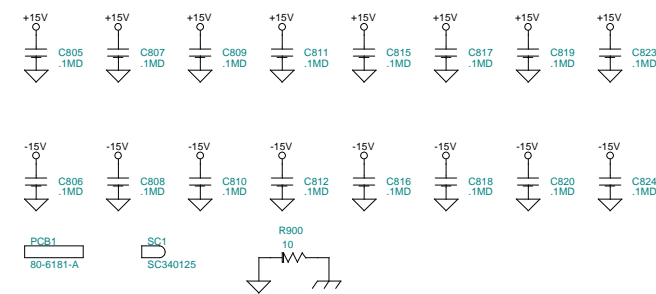
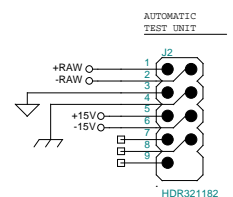
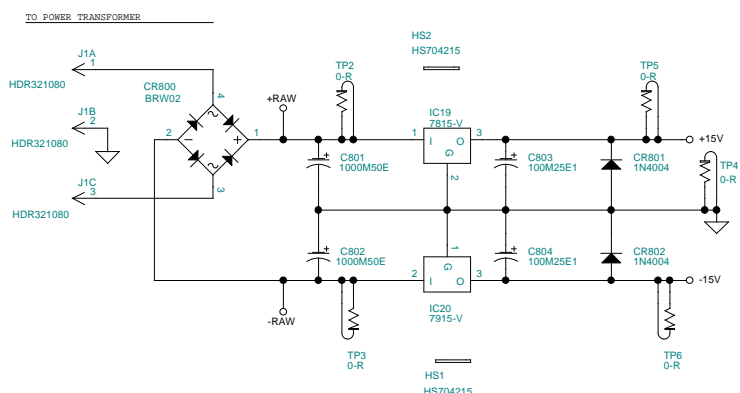
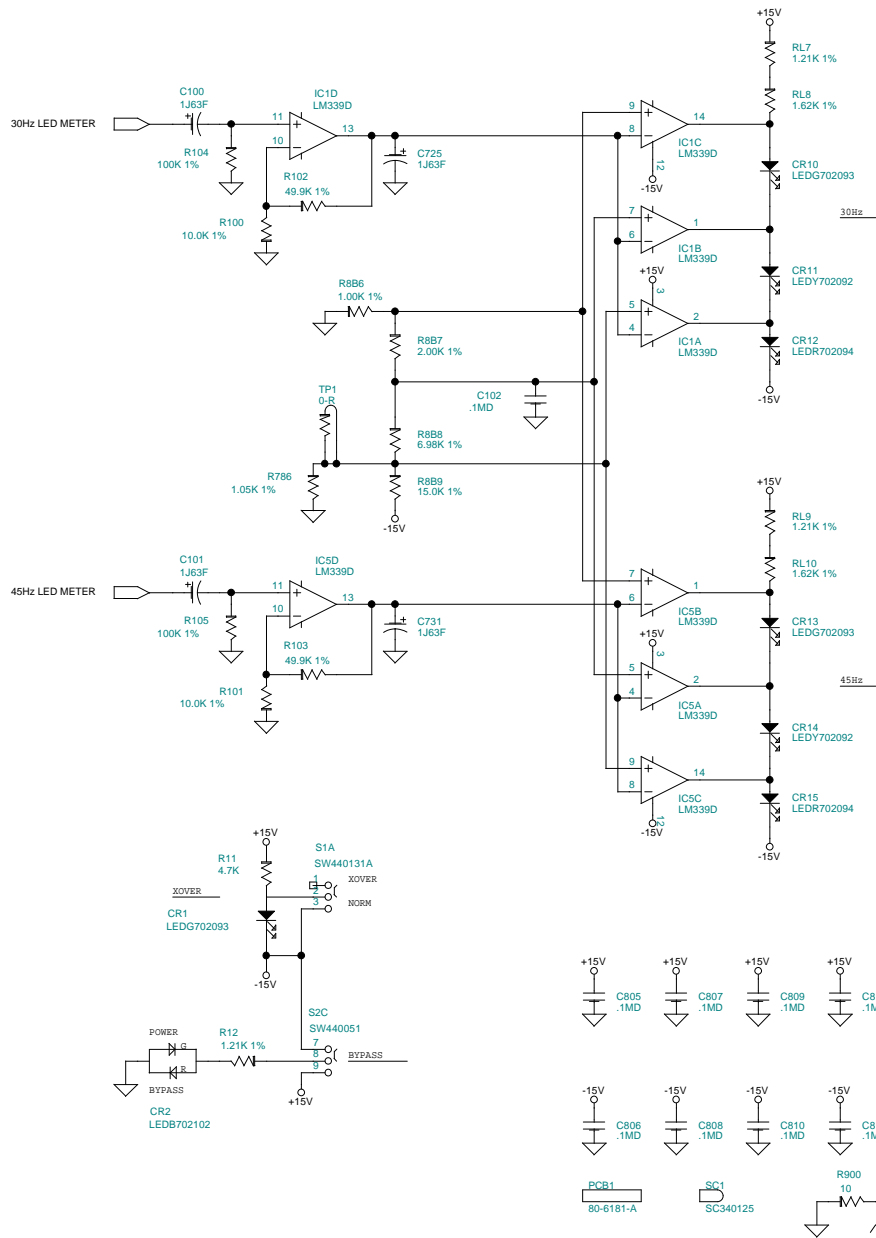


dbx Professional Products	
8760 South Sandy Parkway Sandy, Utah 84070	
Title dbx 120XP SUBHARMONIC SYNTHESIZER 80-6181	
Size B	Document Number 056181A7.001
Date: Wednesday, November 01, 2000	Sheet 1 of 3
	Rev A7



dbx Professional Products	
8760 South Sandy Parkway Sandy, Utah 84070	
Title dbx 120XP SUBHARMONIC SYNTHESIZER 80-6181	
Size B	Document Number 056181A7.002
Date: Wednesday, November 01, 2000	Sheet 2 of 3
	Rev A7



dbx Professional Products		
8760 South Sandy Parkway Sandy, Utah 84070		
Title dbx 120XP SUBHARMONIC SYNTHESIZER 80-6181		
Size B	Document Number 056181A7.003	Rev A7
Date:	Wednesday, November 01, 2000	Sheet 3 of 3

&l0 (sOP (s15H (s8V (s0S &l6D &l66P &l3E &a7L &a120M &l61FDOD Software

Page 1

dbx 120XP SUBHARMONIC SYNTHESIZER 80-6181 Revised: September 7, 2000

056181A7.001 Revision: A7

Bill Of Materials September 13, 2000 9:28:30

Quan Reference Part SYMAN Description

Quan	Reference	Part	SYMAN	Description
12	C100,C101,C707L,C707R, C708L,C708R,C725,C726, C727,C731,C732,C733	1J63F	56-5036	1 uF Cap 63V 5% M/Plyes Rad
17	C102,C805,C806,C807,C808, C809,C810,C811,C812,C815, C816,C817,C818,C819,C820, C823,C824	.1MD	62-3068	.1 uF Cap 50V 20% Ceramic Z5U
4	C704L,C704R,C705L,C705R	220PJ100D	62-0041	220 pF Cap 100V 5% Ceramic Disc
2	C706L,C706R	33PJ100D	62-0040	33 pF Cap 100V 5% Ceramic Disc
4	C710L,C710R,C711L,C711R	.033J	56-0009	.033 uF Cap 50V 5% Poly Film 333J ammo
2	C715L,C715R	.22J	56-0014	.22 uF Cap 50V 5% Stacked Metal Pet 224J ammo
3	C716L,C716R,C719	.33J	56-0015	.33 uF Cap 50V 5% Stacked Metal Pet 334J ammo
9	C717,C718,C720,C723,C724, C729,C730,C750,C752	.10J	56-0012	.10 uF Cap 50V 5% Stacked Metal Pet 104J ammo
4	C721,C751,C825,C826	.010J	56-0006	.010 uF Cap 50V 5% Poly Film 103J ammo
1	C753	22NPM25E1	60-0402	22 uF Cap 25V -20/+20% Elect. NP , T&R
2	C801,C802	1000M50E	60-1026	1000 uF Cap 50V -20/+20% Elect Alum Rad
2	C803,C804	100M25E1	60-0055	100 uF Cap 25V -20/+20% Elect-D T&R
3	CR1,CR10,CR13	LEDG702093	70-2093	Green Light Emitting Diode, Tl
1	CR2	LEDB702102	70-2102	Red/Grn Light Emitting Diode, Tl C/B0.1
2	CR11,CR14	LEDY702092	70-2092	Yellow Light Emitting Diode, Tl
2	CR12,CR15	LEDR702094	70-2094	Red Light Emitting Diode, Tl
4	CR705,CR706,CR707,CR708	1N4148	70-0002	1N4148 Diode Silicon Switching, 75 Volts PIV
1	CR800	BRW02	70-0166	Bridge Rectifer
2	CR801,CR802	1N4004	70-0009	1N4004 Rect 1A 400V
2	HS1,HS2	HS704215	70-4215	Heatsink, PCB Mount, Vert., for TO-220
2	IC1,IC5	LM339D	72-4306	LM339 Quad Comparator
13	IC2,IC3,IC4,IC6,IC8,IC10, IC11,IC12,IC14,IC15,IC16, IC17,IC18	TL072D	72-4315	TL072 Dual JFet-Input Op-Amp
2	IC7,IC9	NE5532	72-4316	5532 Low Noise Dual Op-Amp
1	IC13	CD4013	72-4324	CD4013 Dual D Flip-Flop
1	IC19	7815-V	70-4123	7815 +15 Volt 1 A Voltage Regulator TO-220 VERT
1	IC20	7915-V	70-4124	7915 -15 Volt 1 A Voltage Regulator TO-220 VERT
1	J1	HDR321080	32-1080	3 Pin Header, 0.1" spacing, 0.025" sq pins, Locking
1	J2	HDR321182	32-1182	9 Pin Hdr, 5X2, Straight, .23", 0.1" spacing
5	J701L,J701R,J702L,J702R, J703	J323135	32-3135	Jack, 1/4" Phone, PC Mount, Hor., Non-shorting
1	PCB1	80-6181-A	80-6181-A	dbx 120XP MAIN PCB, RAW
2	Q708,Q709	2N3904	70-1004	2N3904 NPN, Gen. Purp. Amplifier/Switching Transistor
25	R1,R2,R3,R4,R5,R6,R100, R101,R705L,R705R,R706L, R706R,R707L,R707R,R708L, R708R,R724L,R724R,R729L, R729R,R736,R754,R755, R768,R769	10.0K 1%	52-0107	10.0 KOhm Resistor 1% 1/4 Watt Metal Film
1	R7	20K	50-0023	20 KOhm Resistor 5% 1/4 Watt Carbon Film
2	R8,R739	3.92K 1%	52-2059	3.92 KOhm Resistor 1% 1/4 Watt Metal Film
4	R9,R8B7,R726L,R726R	2.00K 1%	52-0186	2.00 KOhm Resistor 1% 1/4 Watt Metal Film
3	R10,R727L,R727R	47	50-0166	47 Ohm Resistor 5% 1/4 Watt Carbon Film
5	R11,R749,R750,R762,R763	4.7K	50-0015	4.7 KOhm Resistor 5% 1/4 Watt Carbon Film
3	R102,R103,R756	49.9K 1%	52-0020	49.9 KOhm Resistor 1% 1/4 Watt Metal Film

DOD Software

dbx 120XP SUBHARMONIC SYNTHESIZER 80-6181 Revised: September 7, 2000

056181A7.001 Revision: A7

Bill Of Materials September 13, 2000 9:28:30

Page

Quan	Reference	Part	SYMAN	Description
3	R104,R105,R758	100K 1%	52-0305	100 KOhm Resistor 1% 1/4 Watt Metal Film
4	R701L,R701R,R702L,R702R	11.0K 1%	52-0105	11.0 KOhm Resistor 1% 1/4 Watt Metal Film
8	R703L,R703R,R704L,R704R, R710L,R710R,R794L,R794R	7.50K 1%	52-2090	7.50 KOhm Resistor 1% 1/4 Watt Metal Film
4	R714L,R714R,R717L,R717R	84.5K 1%	52-0005	84.5 KOhm Resistor 1% 1/4 Watt Metal Film
2	R715L,R715R	42.2K 1%	52-0026	42.2 KOhm Resistor 1% 1/4 Watt Metal Film
2	R716L,R716R	169K 1%	52-0283	169 KOhm Resistor 1% 1/4 Watt Metal Film
2	R725L,R725R	931 1%	52-2018	931 Ohm Resistor 1% 1/4 Watt Metal Film
2	R730L,R730R	22K	50-0025	22 KOhm Resistor 5% 1/4 Watt Carbon Film
1	R735	OMIT	00-0000	This part has been omitted
1	R737	24.3K 1%	52-0086	24.3 KOhm Resistor 1% 1/4 Watt Metal Film
1	R738	47.5K 1%	52-2167	47.5 KOhm Resistor 1% 1/4 Watt Metal Film
1	R740	110K 1%	52-0301	110 KOhm Resistor 1% 1/4 Watt Metal Film
1	R742	75.0K 1%	52-0009	75.0 KOhm Resistor 1% 1/4 Watt Metal Film
1	R743	4.87K 1%	52-0137	4.87 KOhm Resistor 1% 1/4 Watt Metal Film
2	R744,R798	150K 1%	52-0288	150 KOhm Resistor 1% 1/4 Watt Metal Film
2	R748,R761	2.49K 1%	52-0141	2.49 KOhm Resistor 1% 1/4 Watt Metal Film
2	R751,R764	4.7M	50-0291	4.7 MOhm Resistor 5% 1/4 Watt Carbon Film
2	R752,R766	15K	50-0019	15 KOhm Resistor 5% 1/4 Watt Carbon Film
1	R757	3.24K 1%	52-0124	3.24 KOhm Resistor 1% 1/4 Watt Metal Film
1	R786	1.05K 1%	52-0207	1.05 KOhm Resistor 1% 1/4 Watt Metal Film
1	R799	221K 1%	52-0272	221 KOhm Resistor 1% 1/4 Watt Metal Film
1	R900	10	50-0001	10 Ohm Resistor 5% 1/4 Watt Carbon Film
2	R901,R902	22M	50-0307	22 MOhm Resistor 5% 1/4 Watt Carbon Film
1	R7A1	27.4K 1%	52-0085	27.4 KOhm Resistor 1% 1/4 Watt Metal Film
11	R7A2,R745,R746,R747,R753, R759,R760,R765,R767,R803, R804	100K	50-0036	100 KOhm Resistor 5% 1/4 Watt Carbon Film
1	R8B6	1.00K 1%	52-0133	1.00 KOhm Resistor 1% 1/4 Watt Metal Film
1	R8B8	6.98K 1%	52-2086	6.98 KOhm Resistor 1% 1/4 Watt Metal Film
4	R8B9,R712L,R712R,R741	15.0K 1%	52-0050	15.0 KOhm Resistor 1% 1/4 Watt Metal Film
3	RL7,RL9,R12	1.21K 1%	52-0202	1.21 KOhm Resistor 1% 1/4 Watt Metal Film
2	RL8,RL10	1.62K 1%	52-0131	1.62 KOhm Resistor 1% 1/4 Watt Metal Film
2	S1,S3	SW440131A	44-0131	4PDT Slide Switch, 2MM Actuator, RA
1	S2	SW440051	44-0051	Mini In/Out 4PDT Switch (12 Pin) E-Switch
1	SC1	SC340125	34-0125	Switch Cap, Black
10	TP1,TP2,TP3,TP4,TP5,TP6, TP7,TP8,TP9,TP10	0-R	50-0317	0 Ohm Resistor 5% 1/4 Watt Carbon Film Radial T&R
1	VR705	20K402091	40-2091	20 K "A" 12mm Rot Pot X2, 20mm Knurled shaft
4	VR708,VR709,VR710,VR711	20K402090	40-2090	20 K "A" 12mm Rot Pot, 20mm Knurled shaft