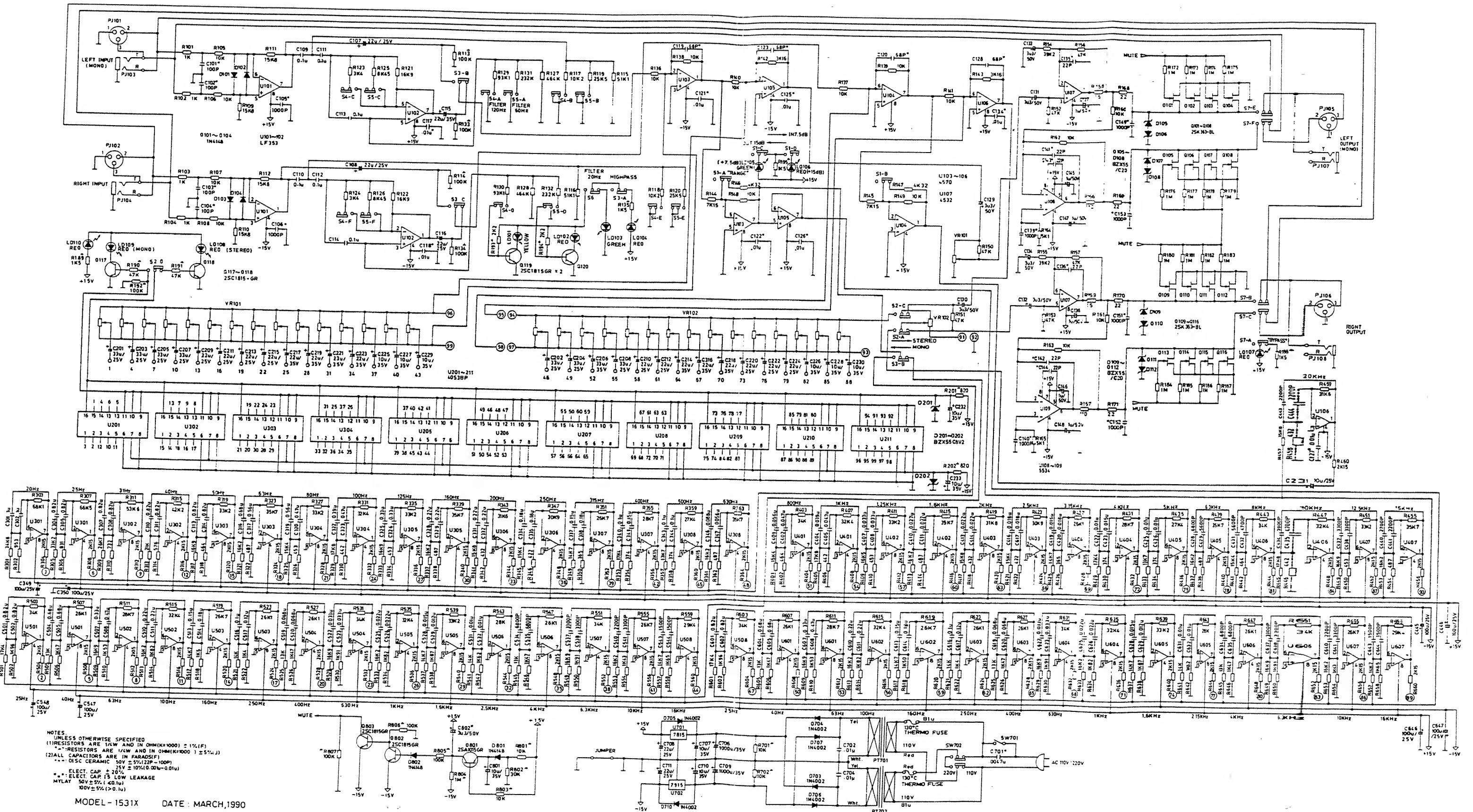


SCHEMATIC



NOTES:  
 UNLESS OTHERWISE SPECIFIED  
 (1) RESISTORS ARE 1/4W AND IN OHM(K=1000) = 1%, (F)  
 (2) RESISTORS ARE 1/4W AND IN OHM(K=1000) = 5%, (J)  
 (3) ALL CAPACITORS ARE IN FARAD(F)  
 (4) DISC CERAMIC 50V = 5%, (22P-100P)  
 (5) ELECT. CAP ± 20%  
 (6) ELECT. CAP IS LOW LEAKAGE  
 MTLAT 50V ± 5% (> 0.1u)  
 100V ± 5% (> 0.1u)

MODEL - 1531X DATE : MARCH, 1990