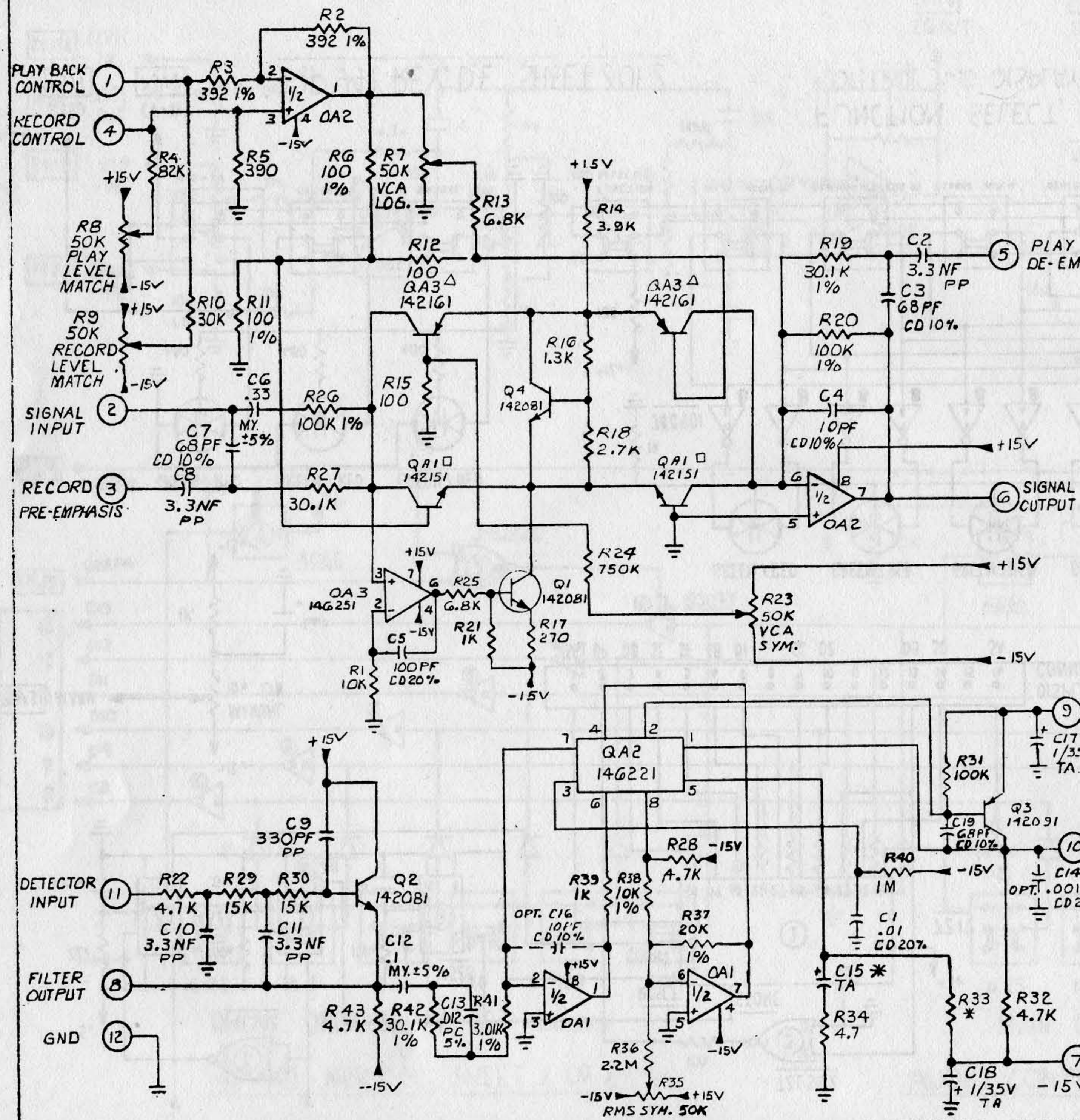


REV	DESCRIPTION	DATE
01	PER ECO#435	8-21-78
02	PER ECO# 450	11-10-78



- NOTES:**
- UNLESS OTHERWISE SPECIFIED:
    - A. RESISTORS ARE EXPRESSED IN OHMS AND ARE  $\pm 5\%$ .
    - B. CAPACITORS ARE EXPRESSED IN MICROFARADS.
    - C. OPAMPS ARE #146241.
  - SELECT C15 + R33 PER SPEC. DWG. A164001.
  - SELECT QA3 PER SPEC. DWG. 160002.
  - SELECT QA1 PER SPEC. DWG. 160016.

dbx inc. WALTHAM, MASS.

RELEASED BY: [Signature] 29 JUN 78

4/11/78

SCHEMATIC  
MODEL 303C TYPE II 15V

340123 02