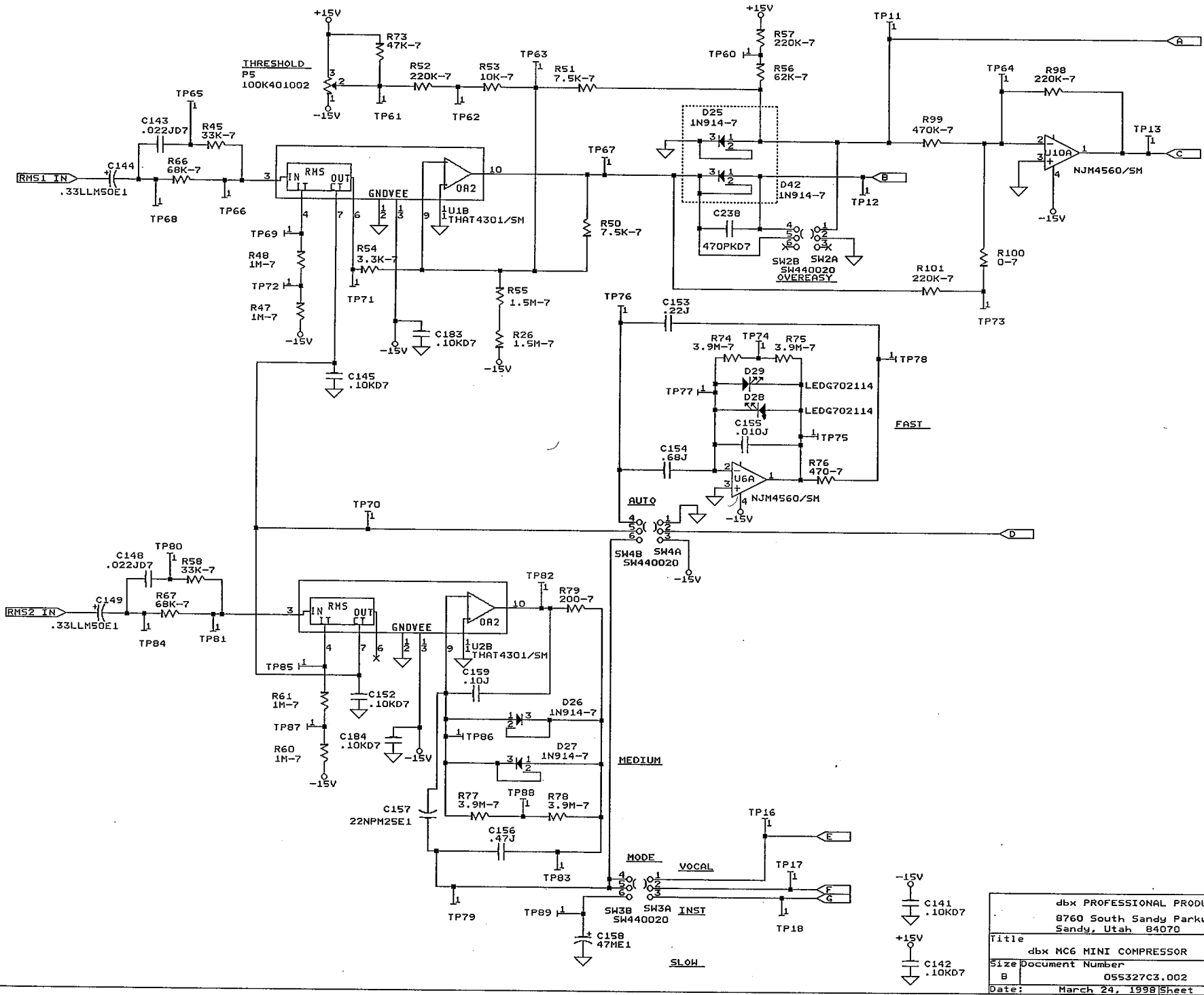


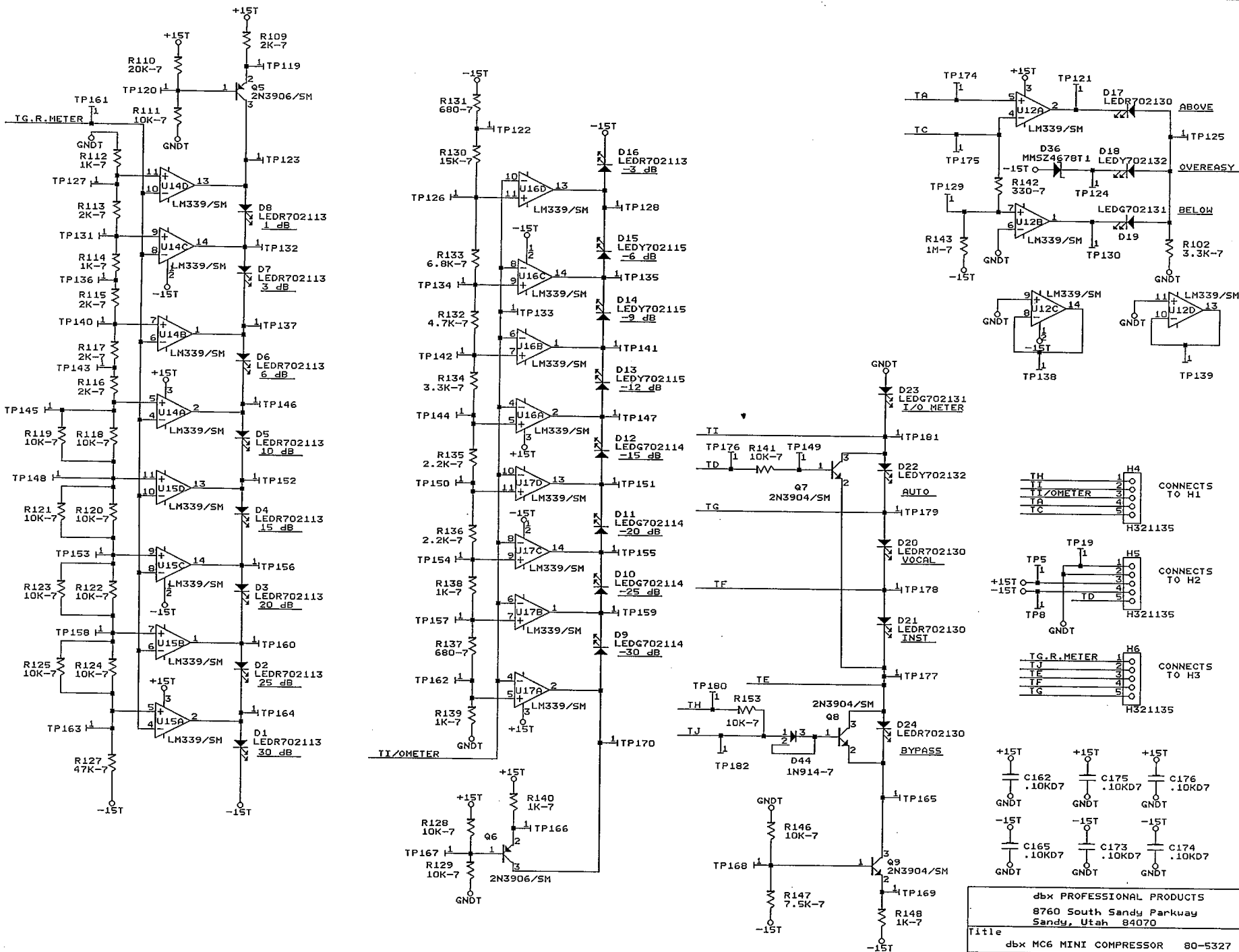
dbx PROFESSIONAL PRODUCTS
 8760 South Sandy Parkway
 Sandy, Utah 84070

Title dbx MC6 MINI COMPRESSOR 80-5327
 Size Document Number REV
 B 055327C3.001 C3
 Date: March 24, 1998 Sheet of 4



dbx PROFESSIONAL PRODUCTS 8760 South Sandy Parkway Sandy, Utah 84070	
Title	dbx MC6 MINI COMPRESSOR 80-5327
Size Document Number	B 055327C3.002
Date:	March 24, 1998 Sheet 2 of 4

-15V
C141
.10KD7
+15V
C142
.10KD7



dbx PROFESSIONAL PRODUCTS
 8760 South Sandy Parkway
 Sandy, Utah 84070

Title
 dbx MC6 MINI COMPRESSOR 80-5327

Size Document Number
 B 055327C3.004

Date: March 24, 1998 Sheet 4 of 4

dbx MC6 MINI COMPRESSOR 80-5327

Revised: March 24, 1998

055327C3.000

Revision: C3

Bill Of Materials

March 24, 1998

13:56:54

Quan Reference

Part

SYMAN

Description

Quan	Reference	Part	SYMAN	Description
31	C1,C132,C134,C135,C136, C137,C138,C139,C141,C142, C145,C152,C160,C161,C162, C163,C164,C165,C167,C168, C169,C171,C172,C173,C174, C175,C176,C179,C181,C183, C184	.10KD7	62-3139	.10 uF Cap 50V 20% Cerm, SMT 0805
4	C80,C113,C177,C178	220M35E	60-0092	220 uF Cap 35V -20/+20% Elect, cut not formed
2	C116,C166	1M50E1	60-0044-01	1.0 uF Cap 50V -20/+20% Elect., T&R C&F
5	C117,C121,C128,C180,C182	10ME1	60-0049-01	10 uF Cap 16V -20/+20% Elect., -D Ammo
4	C120,C127,C185,C186	22PJD7	62-3134	22 pF Cap 50V 5% Cerm, SMT 0805
2	C122,C129	220PKD7	62-3138	220 pF Cap 50V 10% Cerm, SMT 0805
2	C133,C140	1000PMD7	62-3136	1000 pF Cap 50V 20% Cerm, SMT 0805
2	C143,C148	.022JD7	62-3143	.022 uF Cap 50V 5% Cerm, SMT 0805
2	C144,C149	.33LLMS0E1	60-0061-01	.33 uF Cap 50V 20% Elect, LL T&R
1	C153	.22J	56-0014	.22 uF Cap 50V 5% Stacked Metal Pet 224J ammo
1	C154	.68J	56-0017	.68 uF Cap 50V 5% Stacked Metal Pet 684J ammo
1	C155	.010J	56-0006	.010 uF Cap 50V 5% Poly Film 103J ammo
1	C156	.47J	56-0016	.47 uF Cap 50V 5% Stacked Metal Pet 474J ammo
1	C157	22NPM25E1	60-0402	22 uF Cap 25V -20/+20% Elect. NP , T&R
1	C158	47ME1	60-0054-01	47 uF Cap 16V -20/+20% Elect., T&R, 5X8mm body
1	C159	.10J	56-0012	.10 uF Cap 50V 5% Stacked Metal Pet 104J ammo
1	C170	4.7ME1	60-0048-01	4.7 uF Cap 16V -20/+20% Elect., T&R
1	C238	470PKD7	62-3133	470 pF Cap 50V 10% Cerm, SMT 0805
9	D1,D2,D3,D4,D5,D6,D7,D8, D16	LEDR702113	70-2113	Red Light Emitting Diode, T1 (AUTO INSERT)
6	D9,D10,D11,D12,D28,D29	LEDG702114	70-2114	Green Light Emitting Diode, T1 (AUTO INSERT)
3	D13,D14,D15	LEDY702115	70-2115	Yellow Light Emitting Diode, T1 (AUTO INSERT)
4	D17,D20,D21,D24	LEDR702130	70-2130	LED, Red, w/Spacer, T1, 9mm Height, T&R
2	D18,D22	LEDY702132	70-2132	LED, Yellow, w/Spacer, T1, 9mm Height, T&R
2	D19,D23	LEDG702131	70-2131	LED, Green, w/Spacer, T1, 9mm Height, T&R
7	D25,D26,D27,D30,D42,D43, D44	1N914-7	70-0110	1N914 Diode Silicon Switching, 75 Volts PIV, SMT
1	D36	MMSZ4678T1	70-0151	MMSZ4678T1 1.8V Zener Diode, SMT
4	D38,D39,D40,D41	1N4001R	70-0000	1N4001 Silicon Rectifier, 1 Amp, 50 Volts PIV, RADIAL
3	H1,H2,H3	H321136	32-1136	Shouded header, 2mm, 5-Cond. JST #B5P-MQ
3	H4,H5,H6	H321135	32-1135	Header Receptacle, 2mm, 5-Cond., Top Entry JST # 05MQ-BT
1	H7	HDR321182	32-1182	9 Pin Hdr, 5X2, Straight, .23", 0.1" spacing
5	J1,J2,J3,J4,J5	J320119	32-0119	1/4 Phone Jack, Hor. Mount, Full Nose Thread Slimline
1	J6	J320089	32-0089	Barrel Jack, Hor. PCB Mount, 2.5/5.5mm
2	P1,P2	50K420222	42-0222	50 K Trim Pot, Vertical Mount, 3/4 turn
5	P5,P6,P7,P8,P9	100K401002	40-1002	100 K "W" 45mm, Sld Pot, 15mm Shaft, CD
1	PCB1	80-5327-C0		
4	Q1,Q2,Q5,Q6	2N3906/SM	70-1059	2N3906 PNP, Transistor, SOT23
1	Q3	J201	70-1015	J201A JFET, N-Channel
20	Q3A,Q4A,R14,R17,R18,R32, R35,R36,R41,R42,R43,R44, C118,C119,C123,C124,C125, C126,C130,C131	OMIT	00-0000	This part has been omitted
1	Q4	J112	70-1012	J112A JFET, National Only
3	Q7,Q8,Q9	2N3904/SM	70-1058	2N3904 NPN, Transistor, SOT23
6	R1,R2,R13,R19,R20,R31	10.0K 1%-7	52-4500	10.0 KOhm Resistor 1% 1/10 Watt TF, SMT 0805

dbx MC6 MINI COMPRESSOR 80-5327

Revised: March 24, 1998

055327C3.000

Revision: C3

Bill Of Materials

March 24, 1998

13:56:54

Quan	Reference	Part	SYMAN	Description
6	R3,R4,R7,R21,R22,R25	20.0K 1%-7	52-4501	20.0 KOhm Resistor 1% 1/10 Watt TF, SMT 0805
3	R5,R23,R133	6.8K-7	50-1513	6.8 KOhm Resistor 5% 1/10 Watt TF, SMT 0805
9	R6,R24,R39,R47,R48,R60, R61,R93,R143	1M-7	50-1506	1 MOhm Resistor 5% 1/10 Watt TF, SMT 0805
3	R8,R9,R100	0-7	50-1531	0 Ohm Resistor 5% 1/10 Watt TF, SMT 0805
3	R10,R28,R91	330K-7	50-1519	330 KOhm Resistor 5% 1/10 Watt TF, SMT 0805
4	R11,R12,R29,R30	51-7	50-1524	51 Ohm Resistor 5% 1/10 Watt TF, SMT 0805
9	R15,R33,R38,R112,R114, R138,R139,R140,R148	1K-7	50-1505	1 KOhm Resistor 5% 1/10 Watt TF, SMT 0805
10	R16,R34,R37,R40,R95,R109, R113,R115,R116,R117	2K-7	50-1508	2 KOhm Resistor 5% 1/10 Watt TF, SMT 0805
2	R26,R55	1.5M-7	50-1540	1.5 MOhm Resistor 5% 1/10 Watt Carbon Film, 0805
2	R45,R58	33K-7	50-1512	33 KOhm Resistor 5% 1/10 Watt TF, SMT 0805
3	R50,R51,R147	7.5K-7	50-1521	7.5 KOhm Resistor 5% 1/10 Watt TF, SMT 0805
7	R52,R57,R81,R98,R101, R104,R108	220K-7	50-1514	220 KOhm Resistor 5% 1/10 Watt TF, SMT 0805
17	R53,R103,R105,R111,R118, R119,R120,R121,R122,R123, R124,R125,R128,R129,R141, R146,R153	10K-7	50-1503	10 KOhm Resistor 5% 1/10 Watt TF, SMT 0805
3	R54,R102,R134	3.3K-7	50-1525	3.3 KOhm Resistor 5% 1/10 Watt TF, SMT 0805
1	R56	62K-7	50-1501	62 KOhm Resistor 5% 1/10 Watt TF, SMT 0805
2	R66,R67	68K-7	50-1536	68 KOhm Resistor 5% 1/10 Watt TF, SMT 0805
5	R73,R83,R84,R88,R127	47K-7	50-1502	47 KOhm Resistor 5% 1/10 Watt TF, SMT 0805
4	R74,R75,R77,R78	3.9M-7	50-1537	3.9 MOhm Resistor 5% 1/10 Watt TF, SMT 0805
3	R76,R86,R87	470-7	50-1518	470 Ohm Resistor 5% 1/10 Watt TF, SMT 0805
1	R79	200-7	50-1510	200 Ohm Resistor 5% 1/10 Watt TF, SMT 0805
5	R82,R96,R97,R142,R155	330-7	50-1517	330 Ohm Resistor 5% 1/10 Watt TF, SMT 0805
3	R85,R107,R110	20K-7	50-1507	20 KOhm Resistor 5% 1/10 Watt TF, SMT 0805
3	R89,R135,R136	2.2K-7	50-1529	2.2 KOhm Resistor 5% 1/10 Watt TF, SMT 0805
2	R90,R92	27K-7	50-1527	27 KOhm Resistor 5% 1/10 Watt TF, SMT 0805
1	R99	470K-7	50-1523	470 KOhm Resistor 5% 1/10 Watt TF, SMT 0805
1	R130	15K-7	50-1516	15 KOhm Resistor 5% 1/10 Watt TF, SMT 0805
3	R131,R137,R154	680-7	50-1511	680 Ohm Resistor 5% 1/10 Watt TF, SMT 0805
1	R132	4.7K-7	50-1509	4.7 KOhm Resistor 5% 1/10 Watt TF, SMT 0805
1	R151	22K-7	50-1522	22 KOhm Resistor 5% 1/10 Watt TF, SMT 0805
1	SC1	SC340125	34-0125	Switch Cap, Black
1	SW1	SW440052	44-0052	Mini In/Out 6PDT Switch (18 Pin) E-Switch
5	SW2,SW3,SW4,SW5,SW6	SW440020	44-0020	DPDT Switch, Vert, Push-Push 3X2mm
180	TP1,TP2,TP3,TP5,TP6,TP7, TP8,TP9,TP10,TP11,TP12, TP13,TP14,TP15,TP16,TP17, TP18,TP19,TP20,TP21,TP22, TP23,TP24,TP25,TP26,TP27, TP28,TP29,TP30,TP32,TP33, TP34,TP35,TP36,TP37,TP38, TP39,TP40,TP41,TP42,TP43, TP44,TP45,TP46,TP47,TP48, TP49,TP50,TP51,TP52,TP53, TP54,TP55,TP56,TP57,TP58, TP59,TP60,TP61,TP62,TP63, TP64,TP65,TP66,TP67,TP68,	TP_ATE	00-0000	Testpoint 1 Pin, .028 Rnd Pad

TP69, TP70, TP71, TP72, TP73,
TP74, TP75, TP76, TP77, TP78,
TP79, TP80, TP81, TP82, TP83,
TP84, TP85, TP86, TP87, TP88,
TP89, TP90, TP91, TP92, TP93,
TP94, TP96, TP97, TP98, TP99,
TP100, TP101, TP102, TP103,
TP104, TP105, TP106, TP107,
TP108, TP109, TP110, TP111,
TP112, TP113, TP114, TP115,
TP116, TP117, TP118, TP119,
TP120, TP121, TP122, TP123,
TP124, TP125, TP126, TP127,
TP128, TP129, TP130, TP131,
TP132, TP133, TP134, TP135,
TP136, TP137, TP138, TP139,
TP140, TP141, TP142, TP143,
TP144, TP145, TP146, TP147,
TP148, TP149, TP150, TP151,
TP152, TP153, TP154, TP155,
TP156, TP157, TP158, TP159,
TP160, TP161, TP162, TP163,
TP164, TP165, TP166, TP167,
TP168, TP169, TP170, TP171,
TP172, TP173, TP174, TP175,
TP176, TP177, TP178, TP179,
TP180, TP181, TP182, TP183

1	TPGND	0-R	50-0317	0	Ohm Resistor 5% 1/4 Watt Carbon Film Radial T&R
2	U1, U2	THAT4301/S	72-4058	4301S, DMP-30, Dynamics Processor, THAT Corp., SMT	
7	U5, U12, U13, U14, U15, U16, U17	LM339/SM	72-4034	LM339 Low Power, Low offset voltage Quad Comparator	
3	U6, U10, U11	NJM4560/SM	72-4233	NJM4560 Dual Op-Amp, SMT SOIC	
1	U18	7815-H	70-4123	7815 +15 Volt 1 A Voltage Regulator	TO-220 HORIZ
1	U19	7915-H	70-4124	7915 -15 Volt 1 A Voltage Regulator	TO-220 HORIZ