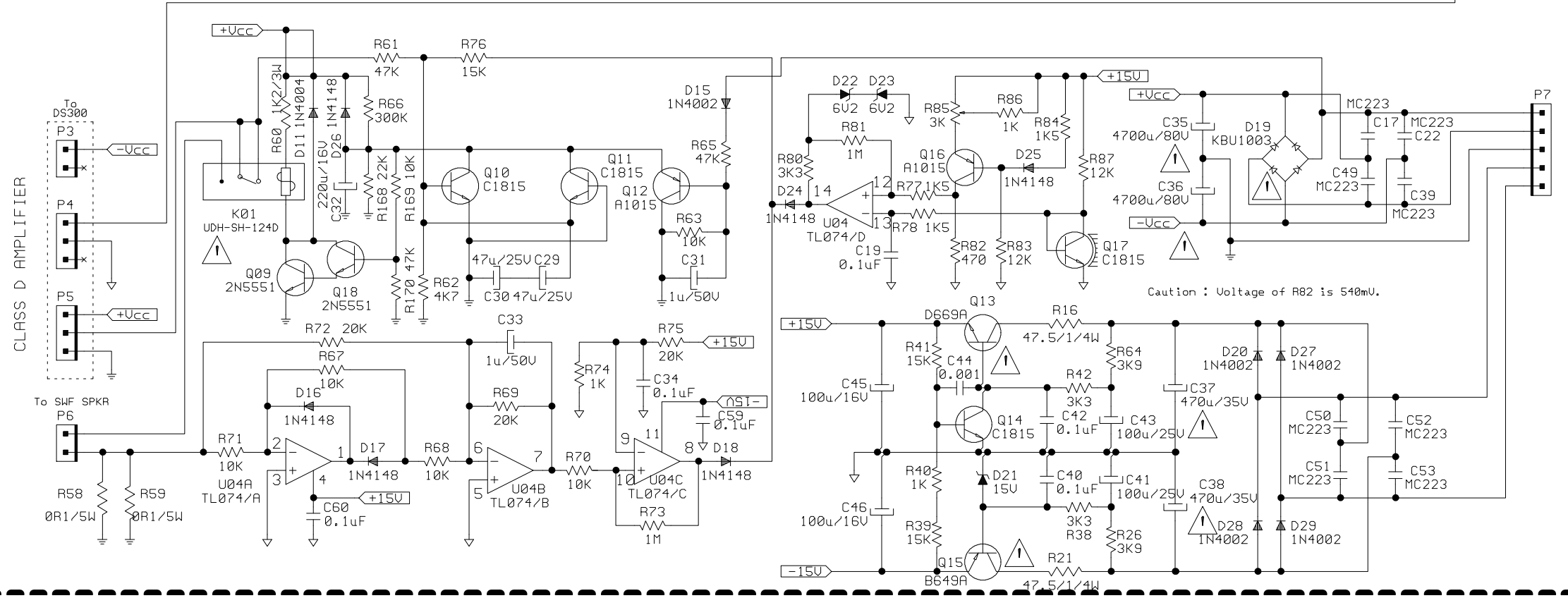
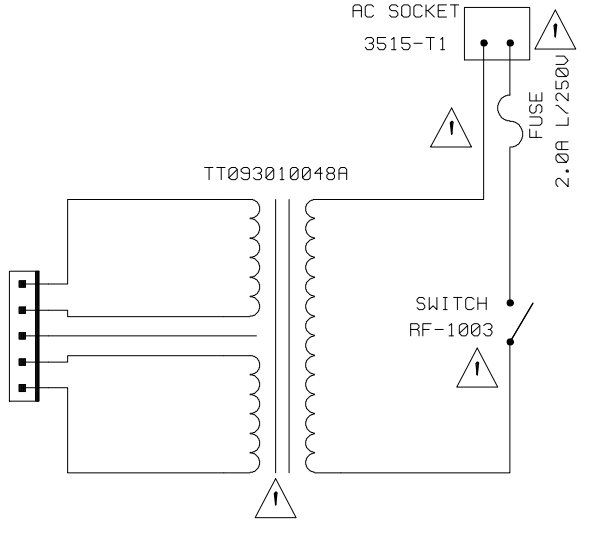
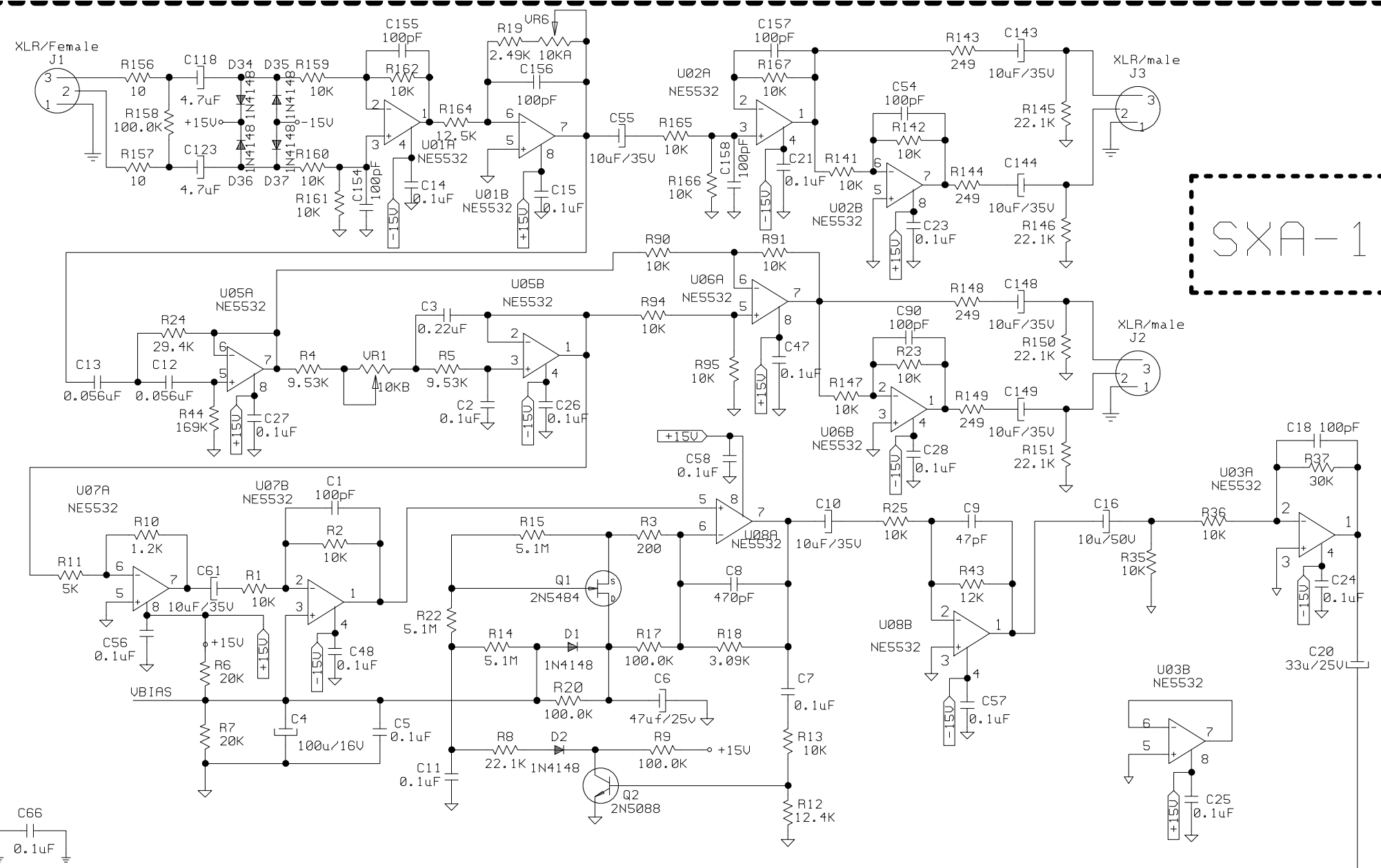
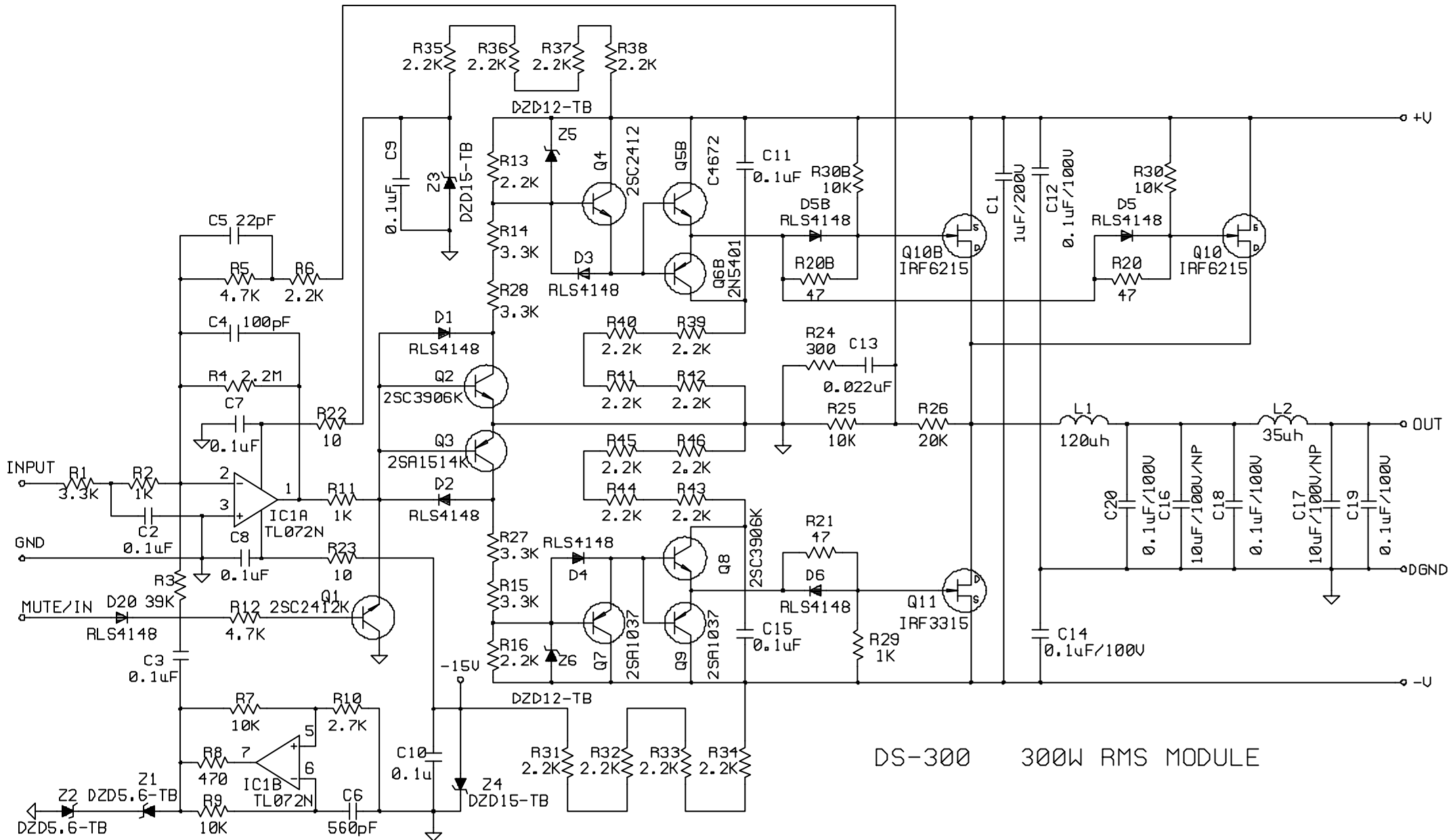


SXA-180



Caution: Voltage of R82 is 540mV.



DS-300 300W RMS MODULE