

6

5

4

3

2

1

D

C

B

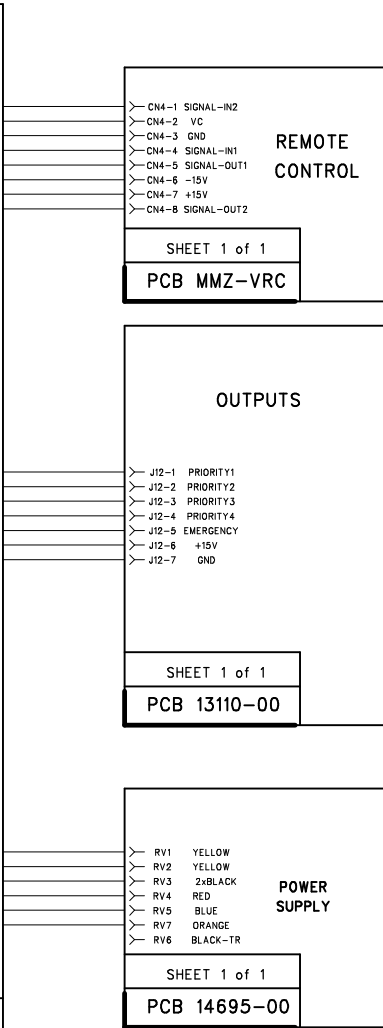
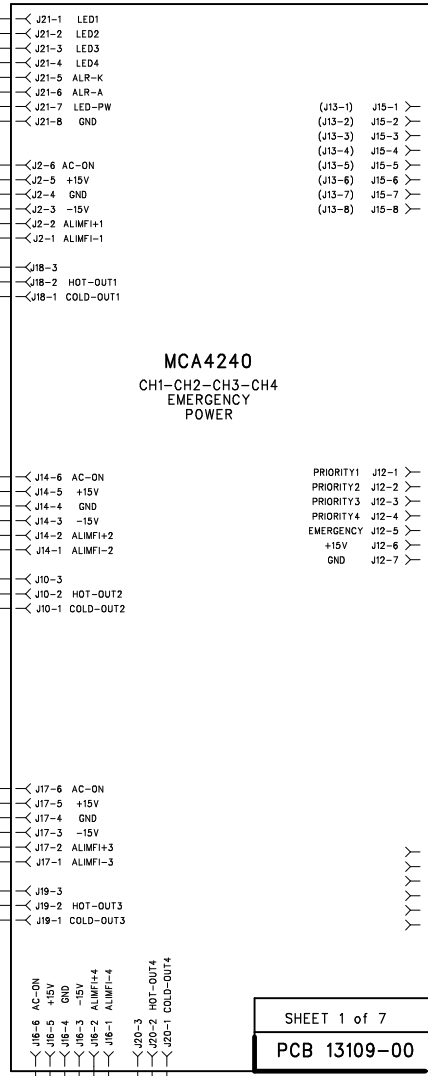
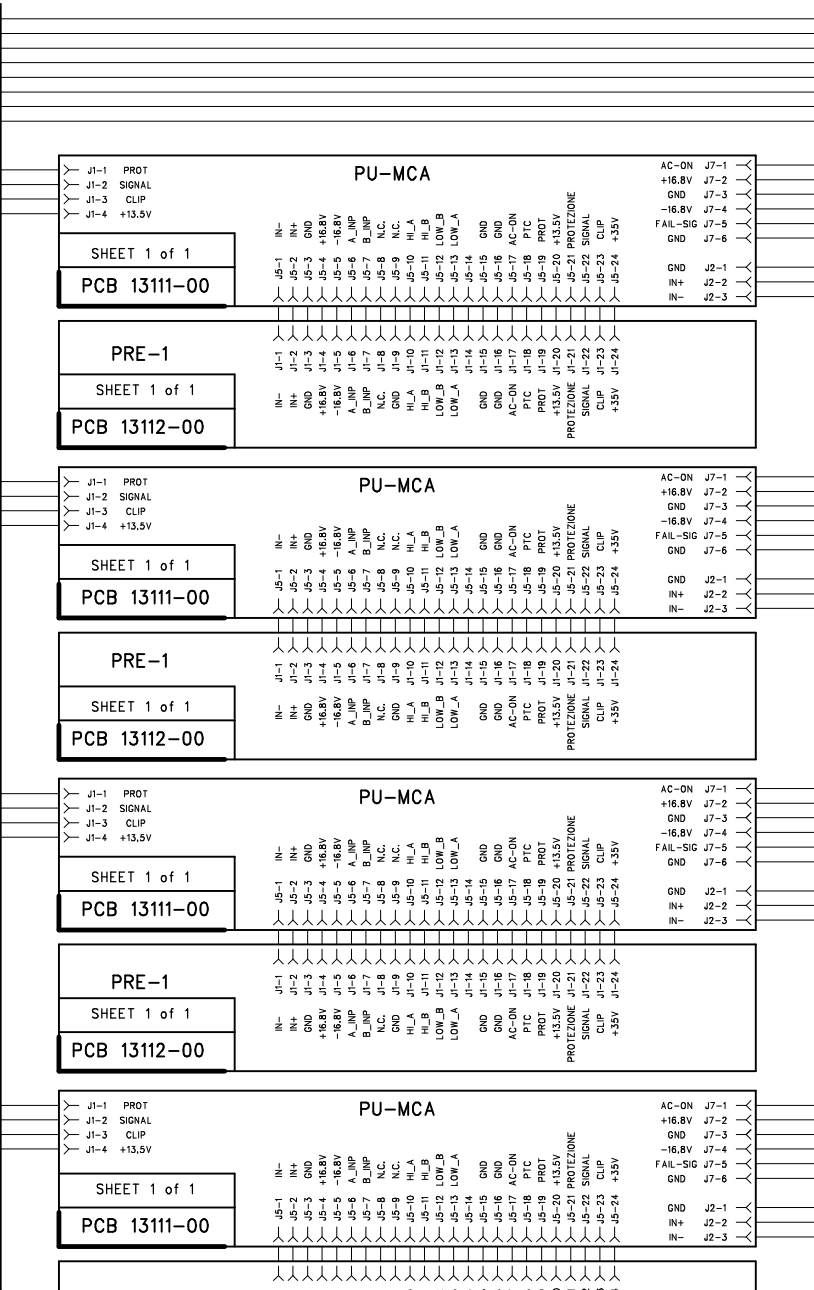
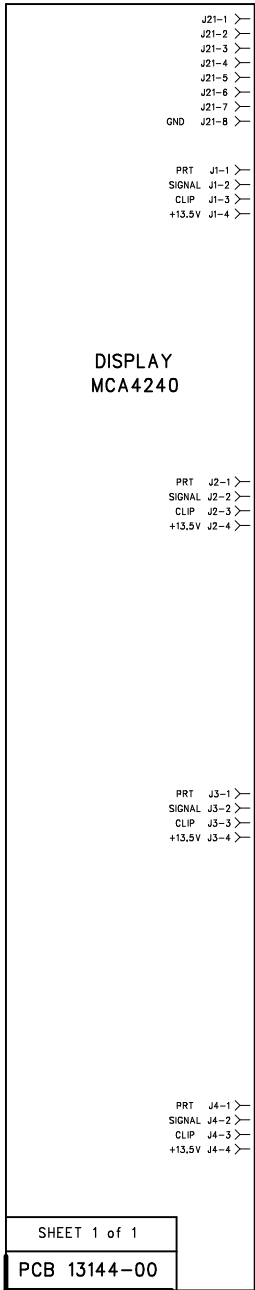
A

D

C

B

A



SHEET 1 of 1
PCB 13144-00

SHEET 1 of 1
PCB 13111-00

SHEET 1 of 1
PCB 13112-00

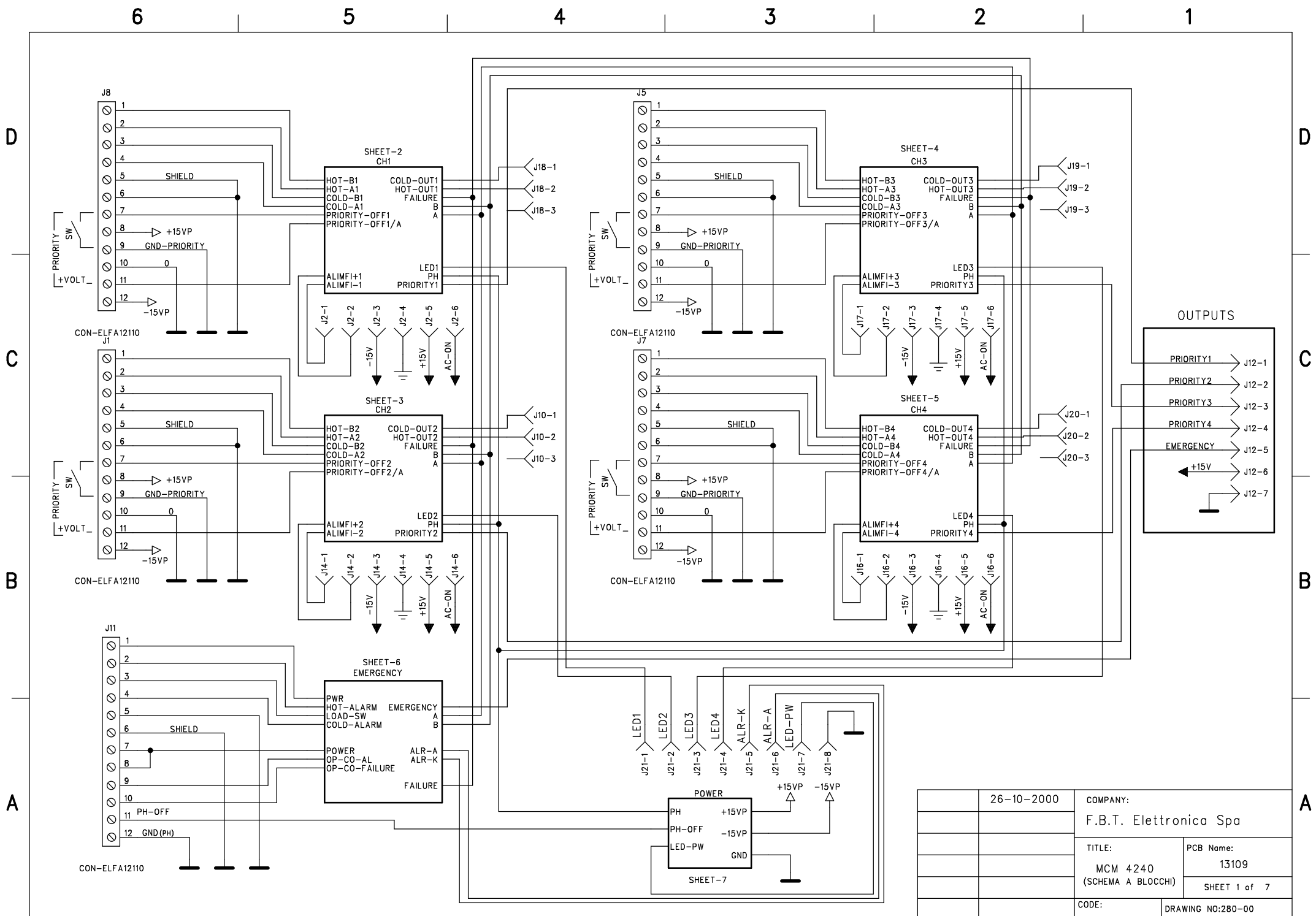
SHEET 1 of 7
PCB 13109-00

SHEET 1 of 1
PCB 13110-00

SHEET 1 of 1
PCB 14695-00

[-] SHOW OFF-PAGE SHEET NUMBER

REVISION N. 1	DATED: 26-10-2000	COMPANY: F.B.T. Elettronica Spa
REVISION N. 2	DATED:	TITLE: MCA4240 CONNECTIONS DIAGRAM
REVISION N. 3	DATED:	
REVISION N. 4	DATED:	DRAWING NO: 280-00
REVISION N. 5	DATED:	
REVISION N. 6	DATED:	



26-10-2000	COMPANY:	
	F.B.T. Electronica Spa	
	TITLE:	PCB Name:
	MCM 4240 (SCHEMA A BLOCCHI)	13109
	CODE:	DRAWING NO:280-00

D

D

C

C

B

B

A

A

6

5

4

3

2

1

D

D

C

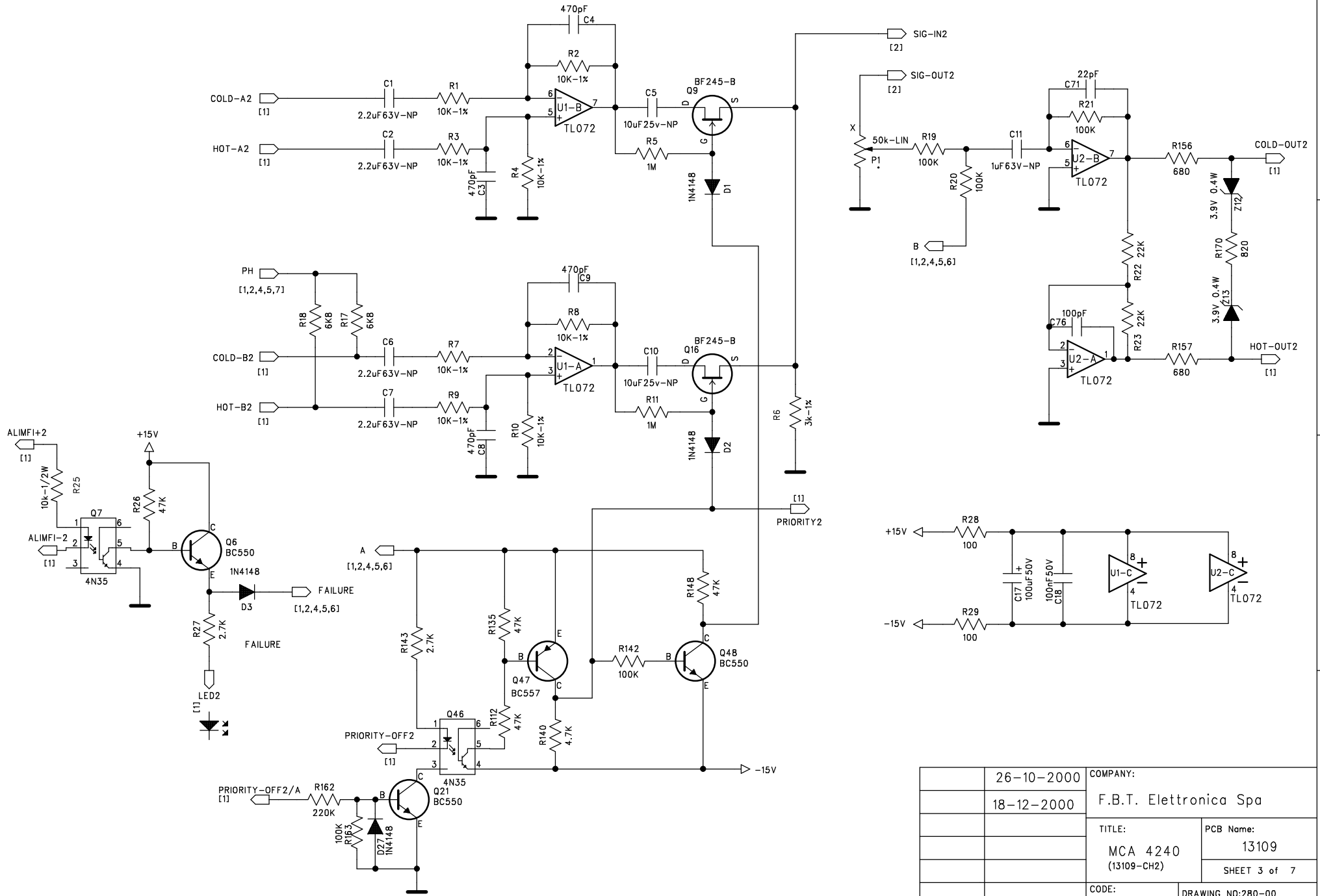
C

B

B

A

A



	26-10-2000	COMPANY:	
	18-12-2000	F.B.T. Electronica Spa	
		TITLE:	PCB Name:
		MCA 4240 (13109-CH2)	13109
			SHEET 3 of 7
		CODE:	DRAWING NO:280-00

6

5

4

3

2

1

D

D

C

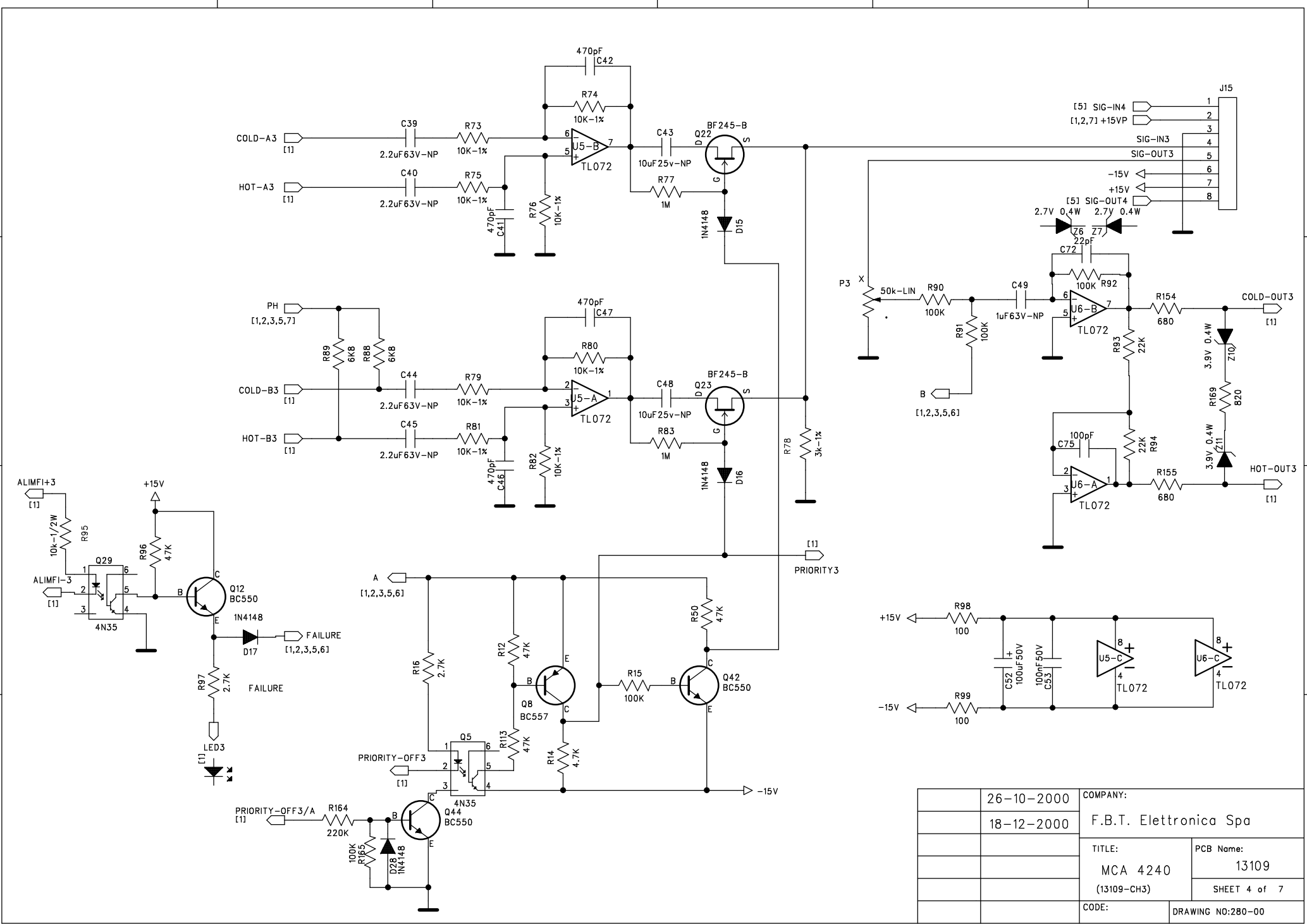
C

B

B

A

A



	26-10-2000	COMPANY:	
	18-12-2000	F.B.T. Electronica Spa	
		TITLE:	PCB Name:
		MCA 4240	13109
		(13109-CH3)	SHEET 4 of 7
		CODE:	DRAWING NO:280-00

6

5

4

3

2

1

D

D

C

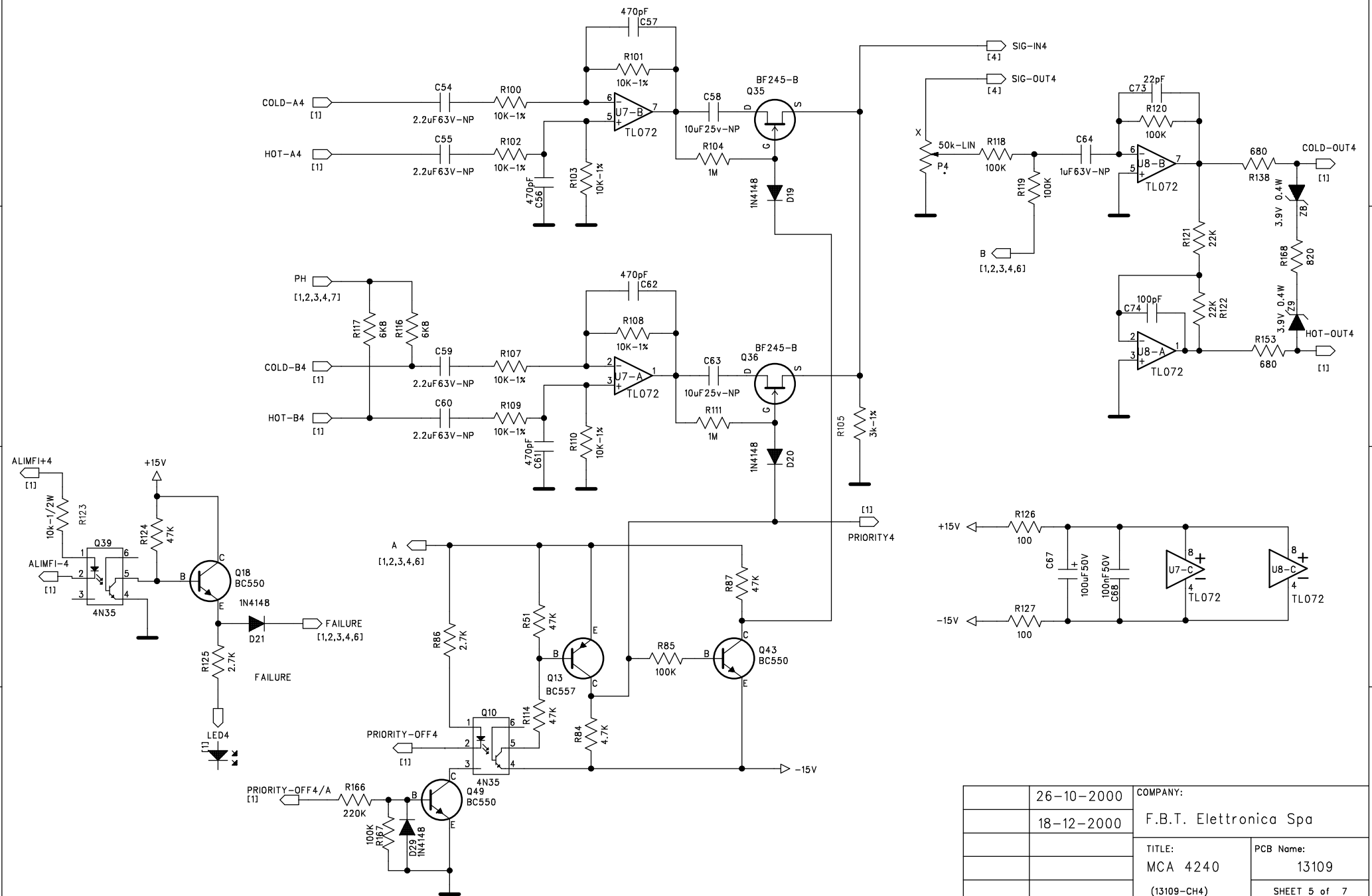
C

B

B

A

A



	26-10-2000	COMPANY:	
	18-12-2000	F.B.T. Electronica Spa	
		TITLE:	PCB Name:
		MCA 4240	13109
		(13109-CH4)	SHEET 5 of 7
		CODE:	DRAWING NO:280-00

6

5

4

3

2

1

D

D

C

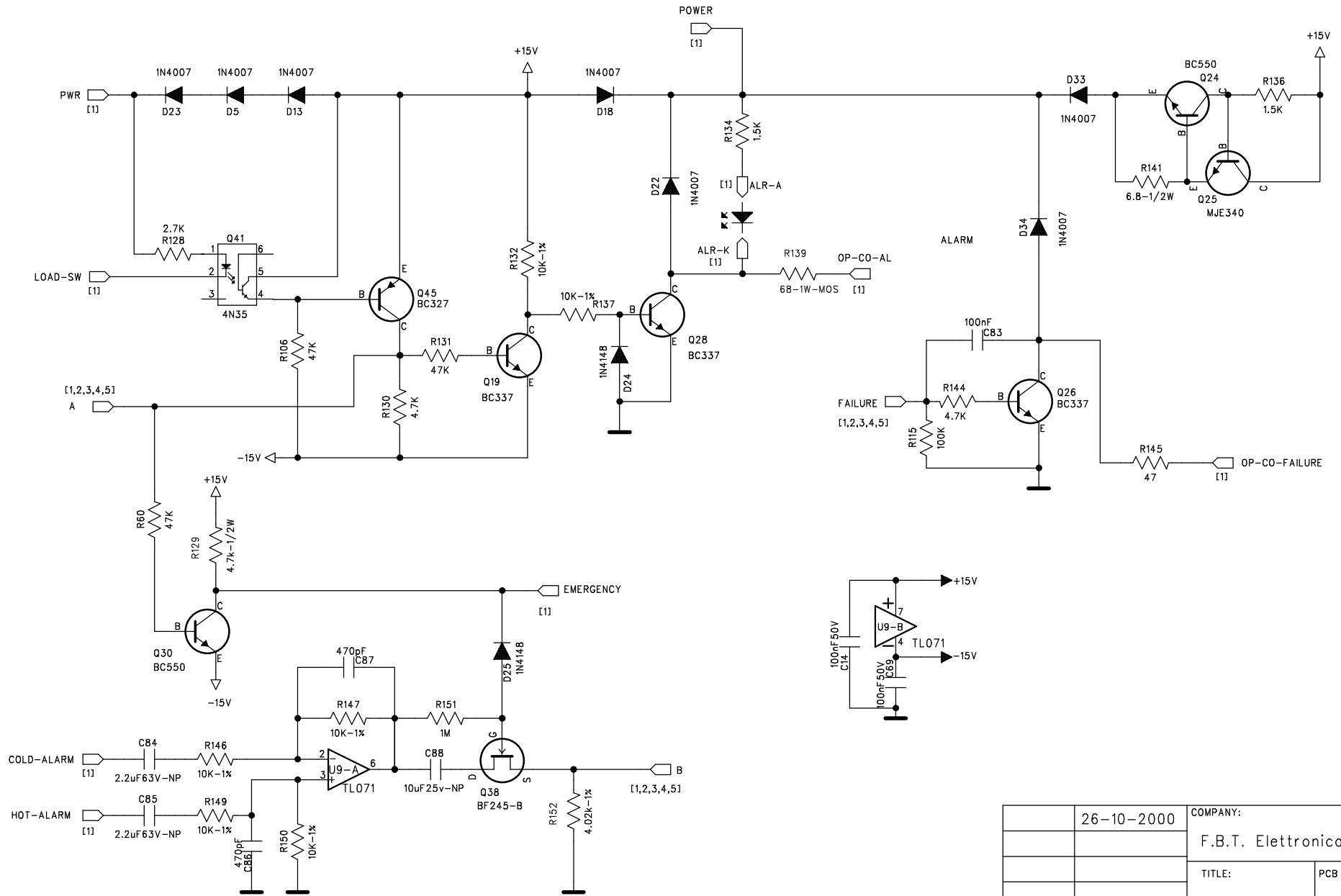
C

B

B

A

A



	26-10-2000	COMPANY:	
		F.B.T. Electronica Spa	
		TITLE:	PCB Name:
		MCA 4240	13109
		(13109-EMERGENCY)	SHEET 6 of 7
		CODE:	DRAWING NO:280-00

6

5

4

3

2

1

D

D

C

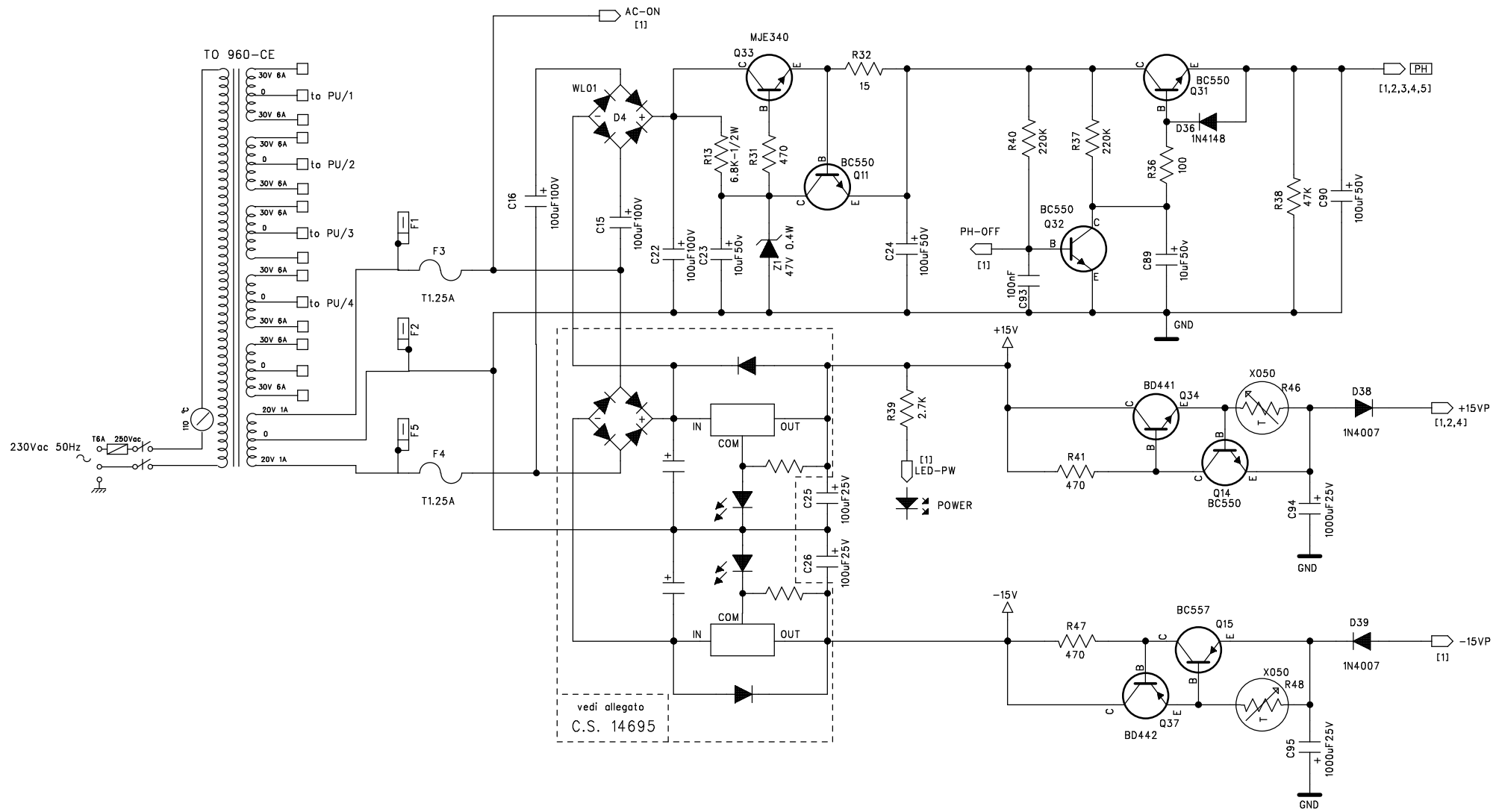
C

B

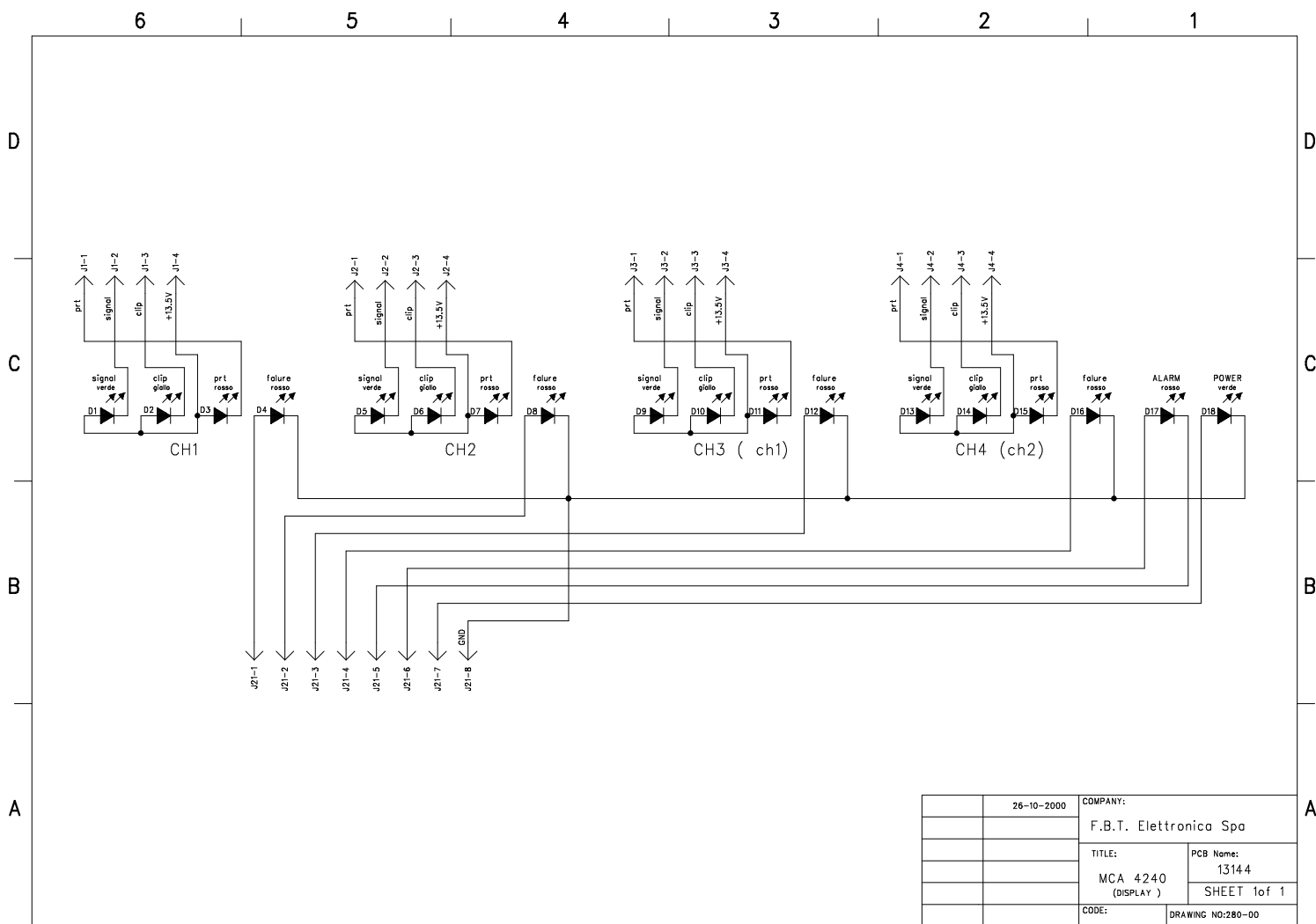
B

A

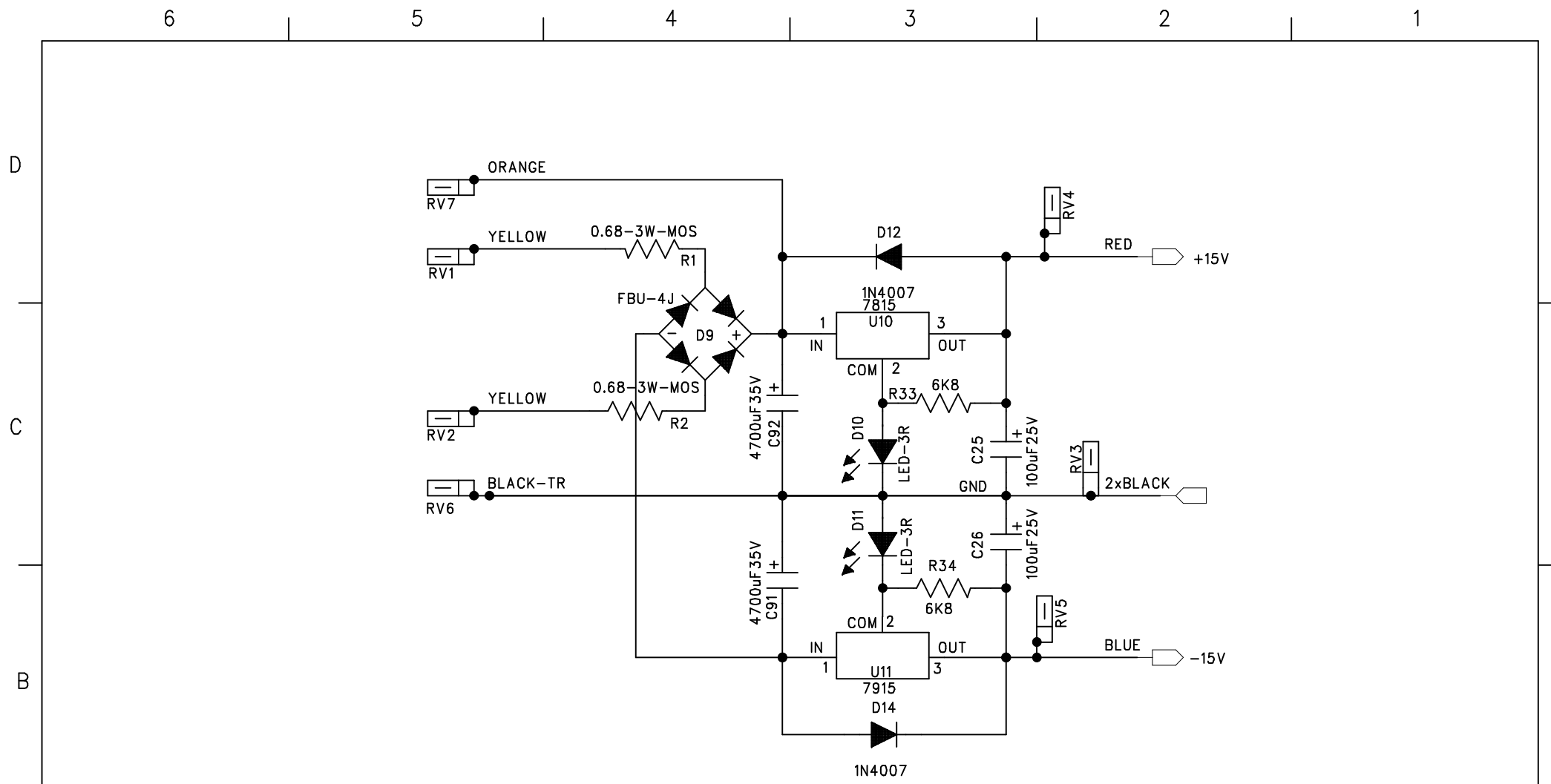
A



26-10-2000	COMPANY:	F.B.T. Electronica Spa	
	TITLE:	MCA 4240	PCB Name: 13109
		(13109-POWER)	SHEET 7 of 7
	CODE:	DRAWING NO:280-00	



26-10-2000	COMPANY:	F.B.T. Elettronica Spa	
	TITLE:	PCB Name:	13144
	MCA 4240 (DISPLAY)	SHEET 1 of 1	
CODE:	DRAWING NO:280-00		



	26-10-2000	COMPANY: F.B.T. Elettronica Spa	
		TITLE: MCA 4240 (POWER SUPPLY)	PCB Name: 14695
		SHEET 1 of 1	
		CODE:	DRAWING NO:280-00

6

5

4

3

2

1

D

C

B

A

D

C

B

A

6

5

4

3

2

1

D

D

C

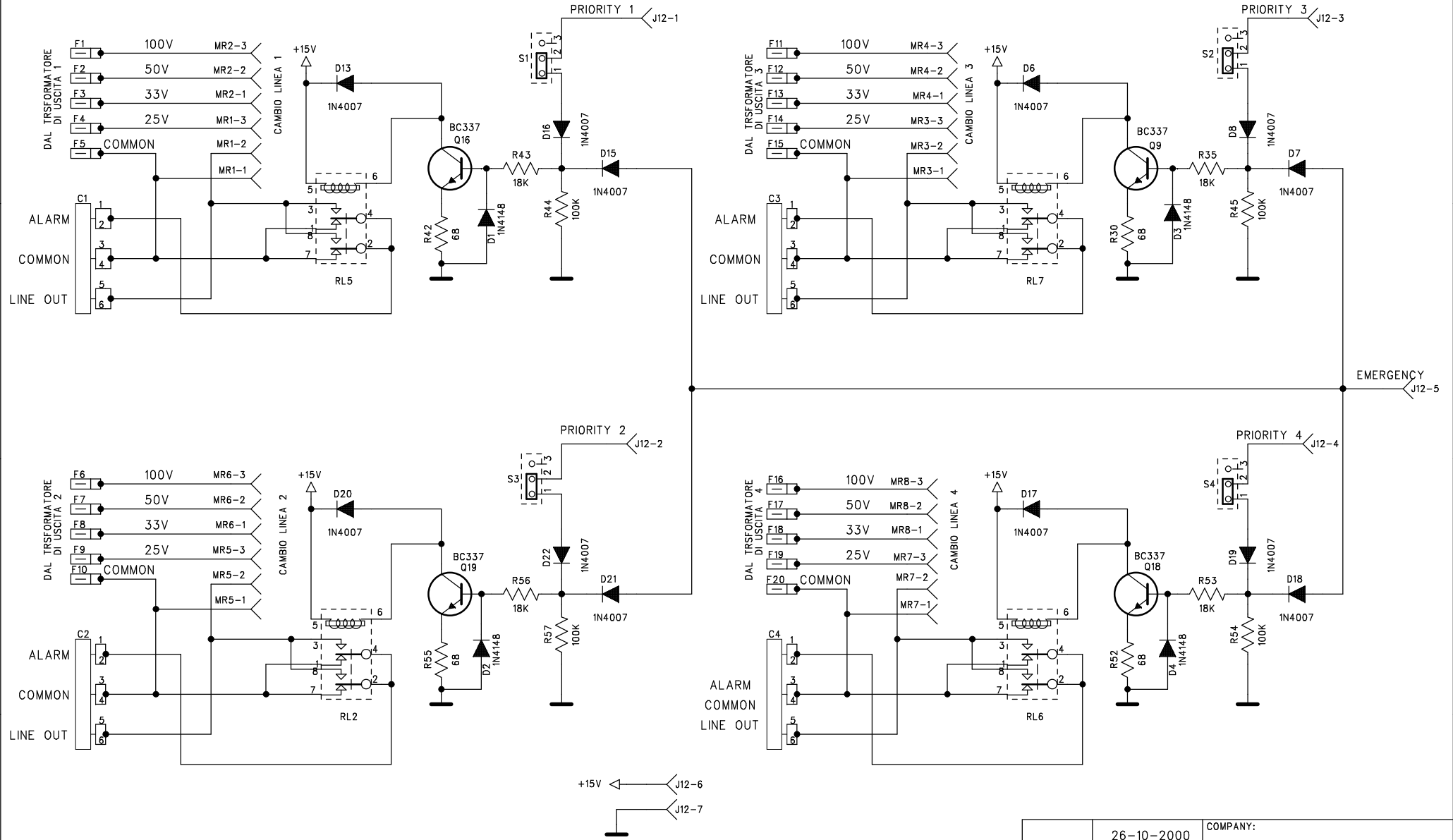
C

B

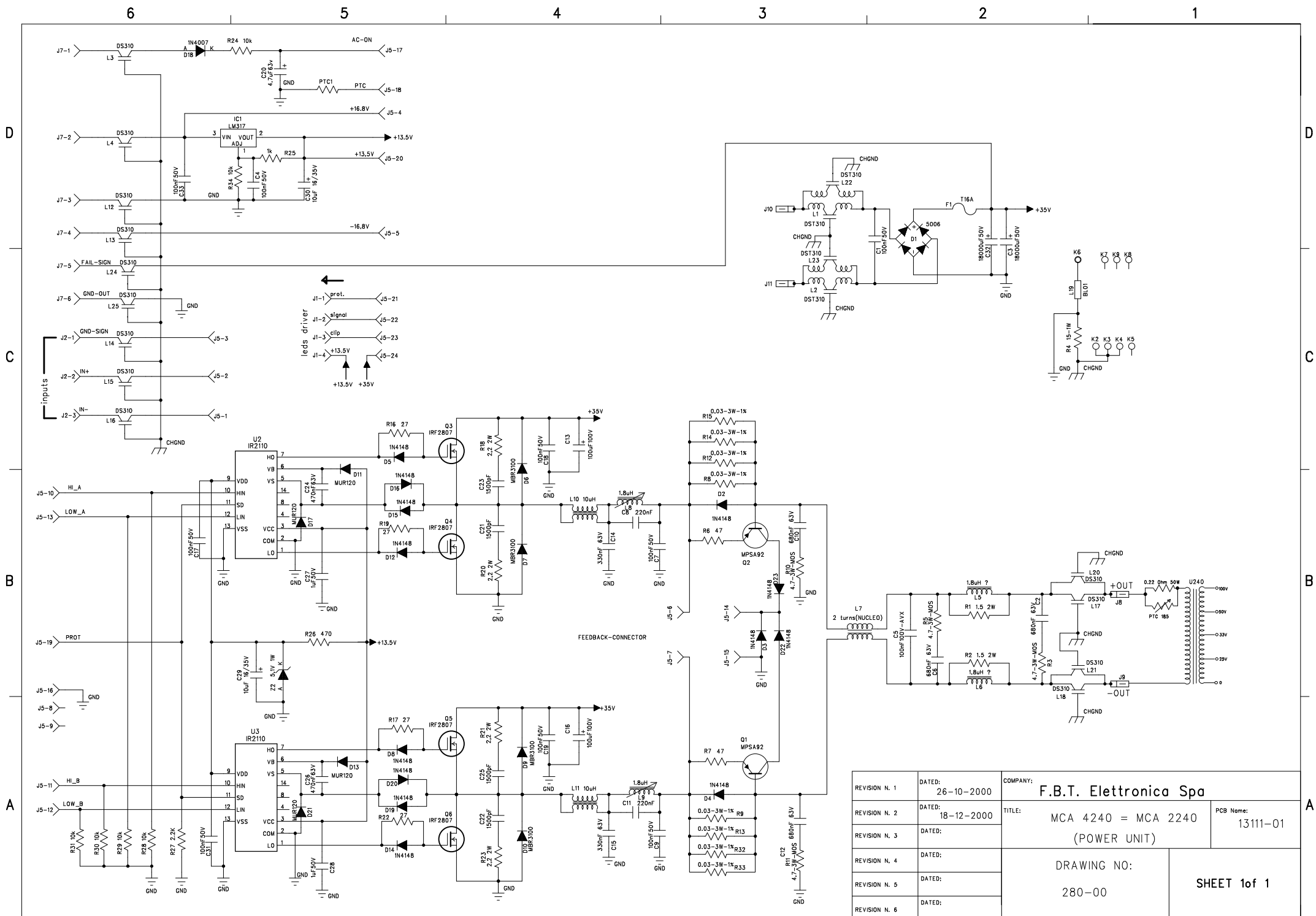
B

A

A



	26-10-2000	COMPANY:	
		F.B.T. Elettronica Spa	
		TITLE:	PCB Name:
		MCA 4240	13110
		(OUTPUTS)	SHEET 1 of 1
		CODE:	DRAWING NO:280-00



REVISION N. 1	DATED: 26-10-2000	COMPANY: F.B.T. Elettronica Spa
REVISION N. 2	DATED: 18-12-2000	TITLE: MCA 4240 = MCA 2240 (POWER UNIT)
REVISION N. 3	DATED:	PCB Name: 13111-01
REVISION N. 4	DATED:	DRAWING NO: 280-00
REVISION N. 5	DATED:	SHEET 1 of 1
REVISION N. 6	DATED:	

D

C

B

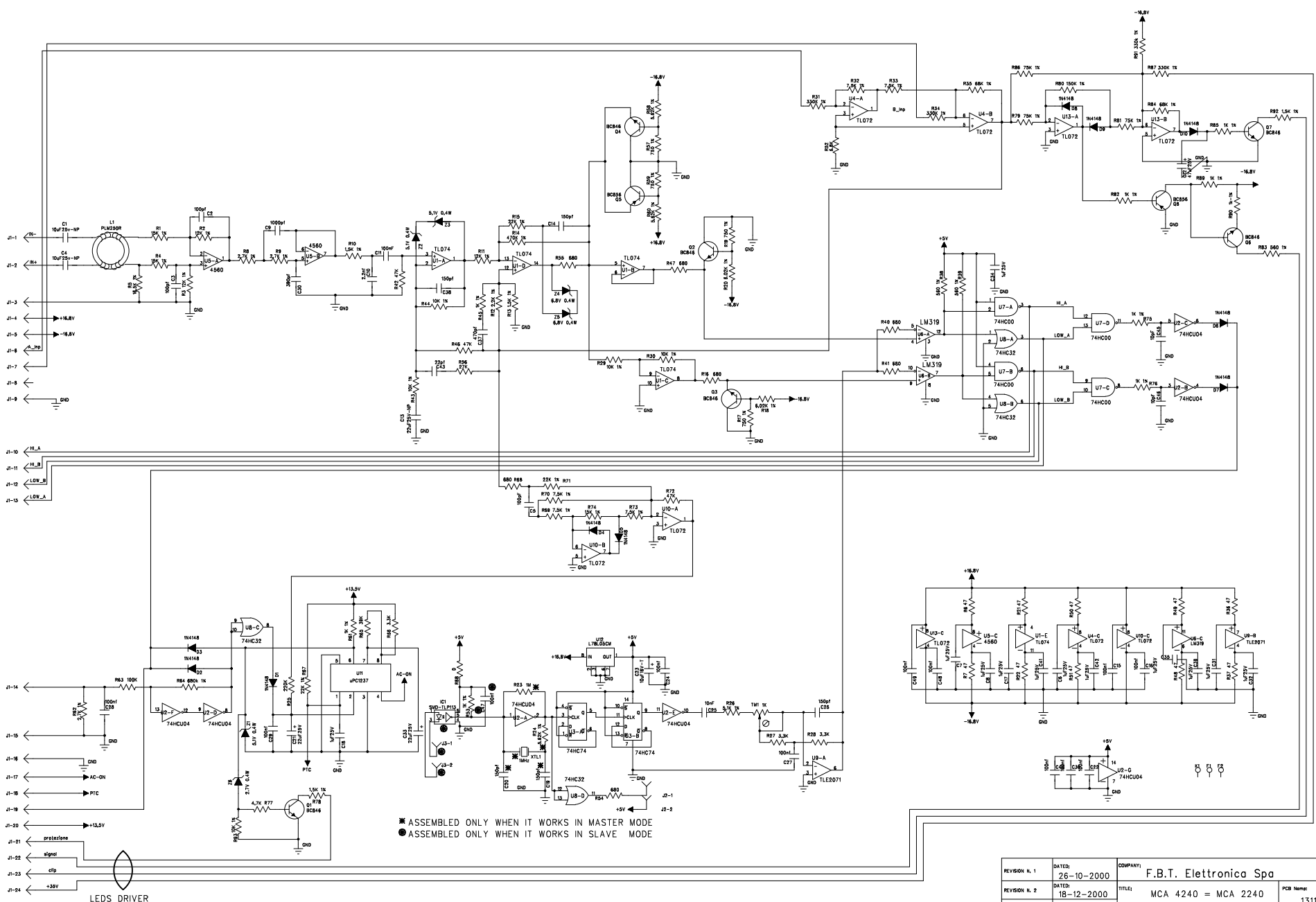
A

D

C

B

A



* ASSEMBLED ONLY WHEN IT WORKS IN MASTER MODE
 ● ASSEMBLED ONLY WHEN IT WORKS IN SLAVE MODE

REVISION n. 1	DATED: 26-10-2000	COMPANY: F.B.T. Electronica Spa	
REVISION n. 2	DATED: 18-12-2000	TITLE: MCA 4240 = MCA 2240	PCB Name: 13112
REVISION n. 3	DATED:	(PRE-POWER-UNIT)	
REVISION n. 4	DATED:	DRAWING NO: 280-00	SHEET 1 of 1
REVISION n. 5	DATED:		
REVISION n. 6	DATED:		

6

5

4

3

2

1

D

D

C

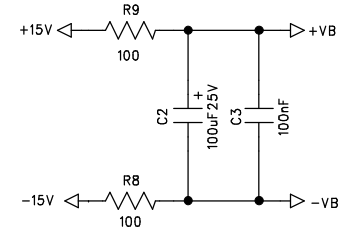
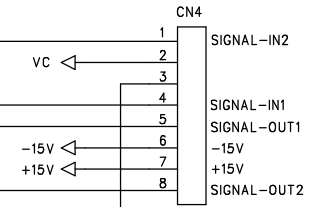
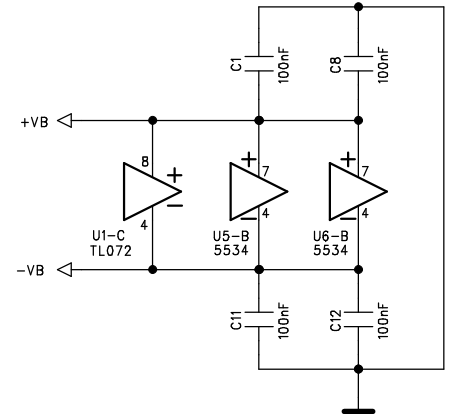
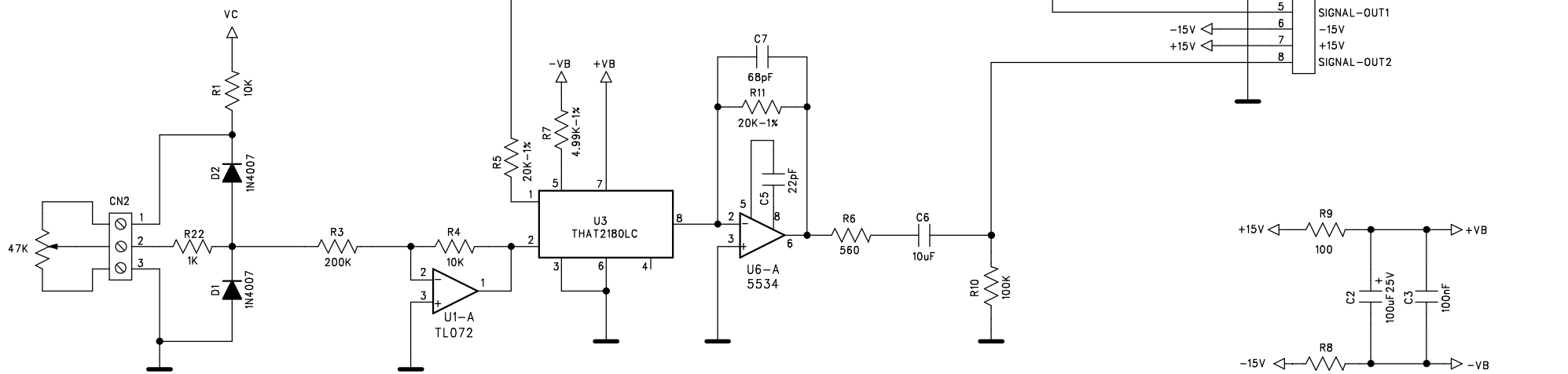
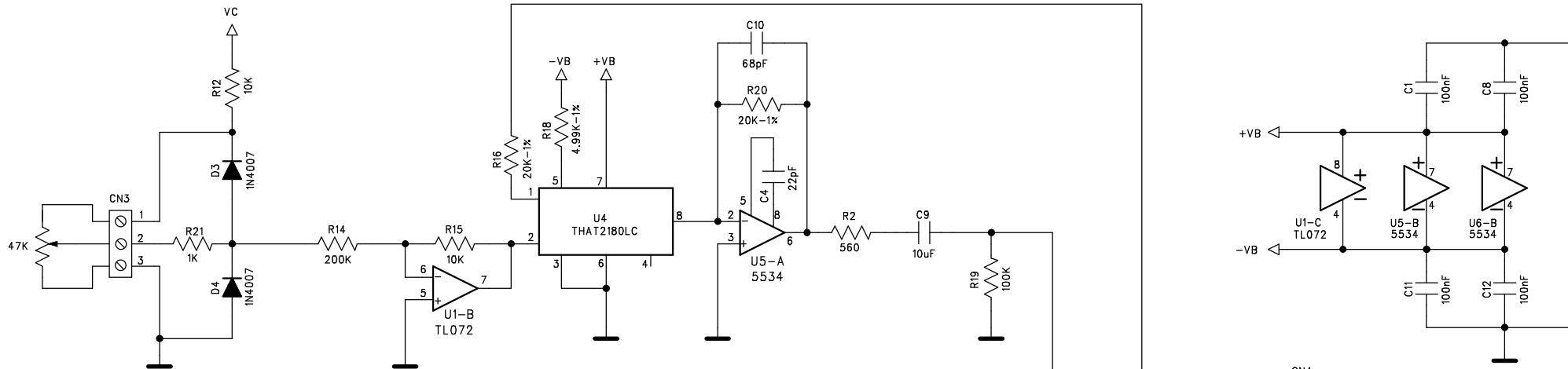
C

B

B

A

A



	26-10-2000	COMPANY:	
		F.B.T. Electronica Spa	
		TITLE:	PCB Name:
		MCA 4240	MMZ-VRC
		(REMOTE VOLUME)	SHEET 1 di 1
		CODE:	DRAWING NO: 281-00