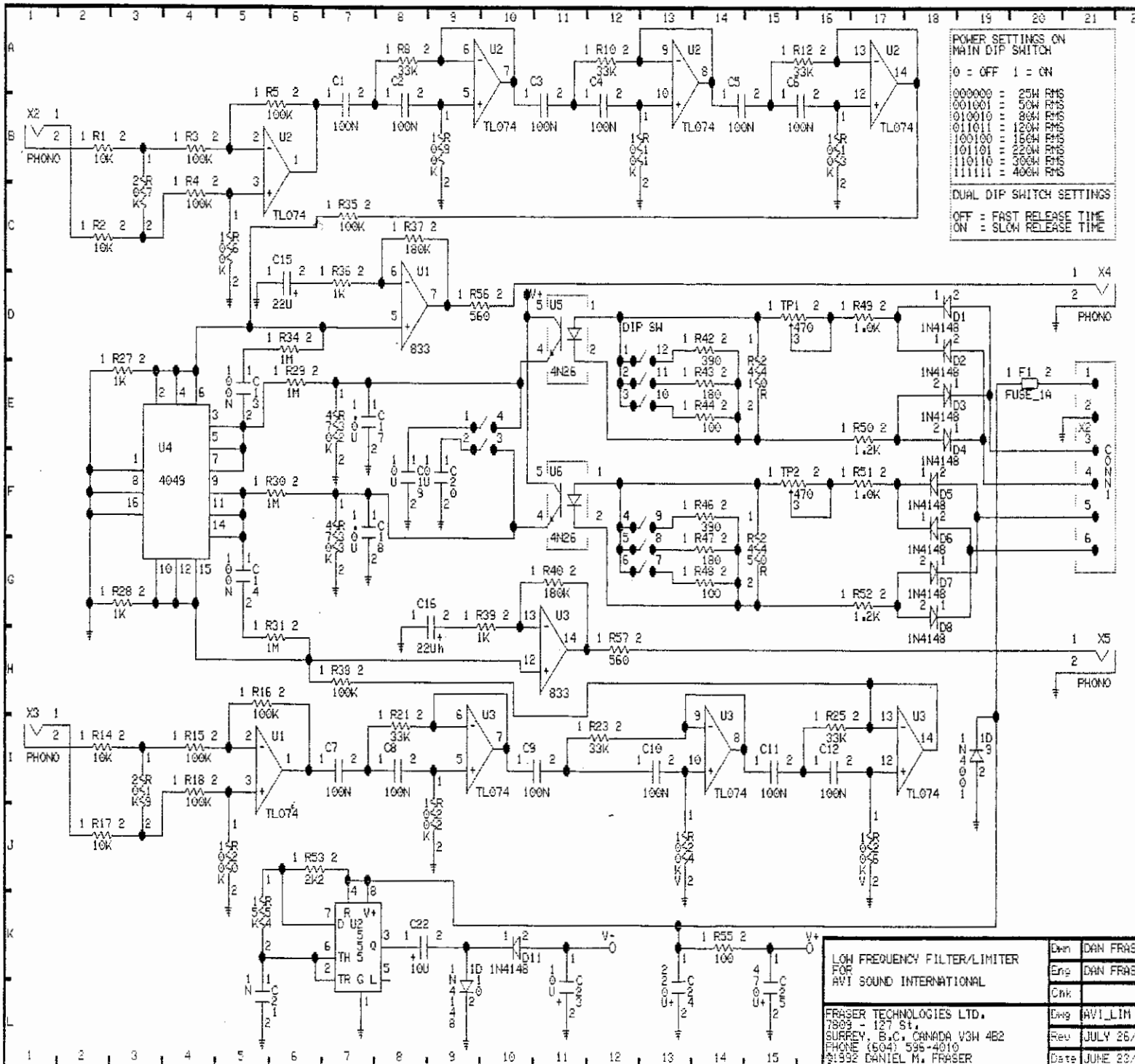


POWER SETTINGS ON	
0 = OFF	1 = ON
MAIN DIP SWITCH	
00000000	25M PWS
00100001	50M PWS
01000010	80M PWS
01100011	100M PWS
10001000	150M PWS
10101001	200M PWS
11011010	300M PWS
11111011	400M PWS
DUAL DIP SWITCH SETTINGS	
OFF = FAST RELEASE TIME	
ON = SLOW RELEASE TIME	

FRASER TECHNOLOGIES LTD.
 7809 127 St.
 Surrey, B.C. CANADA V3M 4B2
 PHONE (604) 596-4010
 FAX (604) 596-4011
 01932 DANIEL M. FRASER

LOW FREQUENCY FILTER/LIMITER
 FOR
 AVI SOUND INTERNATIONAL

DRN	DAN FRASER
ENG	DAN FRASER
CHK	
DWG	PV.L.T.H
REV	JULY 28/92
DATE	JUNE 23/92



POWER SETTINGS ON MAIN DIP SWITCH
 0 = OFF 1 = ON

000000	=	25W RMS
001001	=	50W RMS
010010	=	80W RMS
011011	=	120W RMS
100100	=	150W RMS
101101	=	220W RMS
110110	=	300W RMS
111111	=	400W RMS

DUAL DIP SWITCH SETTINGS
 OFF = FAST RELEASE TIME
 ON = SLOW RELEASE TIME

LOW FREQUENCY FILTER/LIMITER
 FOR
 AVI SOUND INTERNATIONAL

Desg	DAN FRASER
Eng	DAN FRASER
Chk	
Desg	AVI_LIM
Rev	JULY 26/78
Date	JUNE 23/78

FRASER TECHNOLOGIES LTD.
 7803 - 127 St.
 SURREY, B.C., CANADA V3H 4E2
 PHONE (604) 595-4010
 ©1992 DANIEL M. FRASER