

P7

IC 6

IC 12

IC 16

P11

P10

P9

P8

IC 19

IC 11

P12

J7

HEADPHONES  
OUT  
G

TAPE OUT  
161  
JS

IC 13

IC 14

IC 15

IC 16

IC 17

IC 20

IC 18

+C6

+C7

+D33

AC IN  
J6  
E3

C15

C14

Q10

Q9

Q8

Q7

Q6

Q5

Q4

Q11

Q12

Q13

Q14

R12

R13

R14

R15

R16

R17

R18

R19

R20

R21

R22

R23

R24

R25

R26

R27

R28

R29

R30

R31

R32

R33

R34

C11

C12

C13

C14

C15

C16

C17

C18

C19

C20

C21

C22

C23

C24

C25

C26

C27

C28

C29

C30

C31

C32

C33

C34

C35

C36

C37

C38

C39

C40

C41

C42

C43

C44

C45

C46

C47

C48

C49

C50

C51

C52

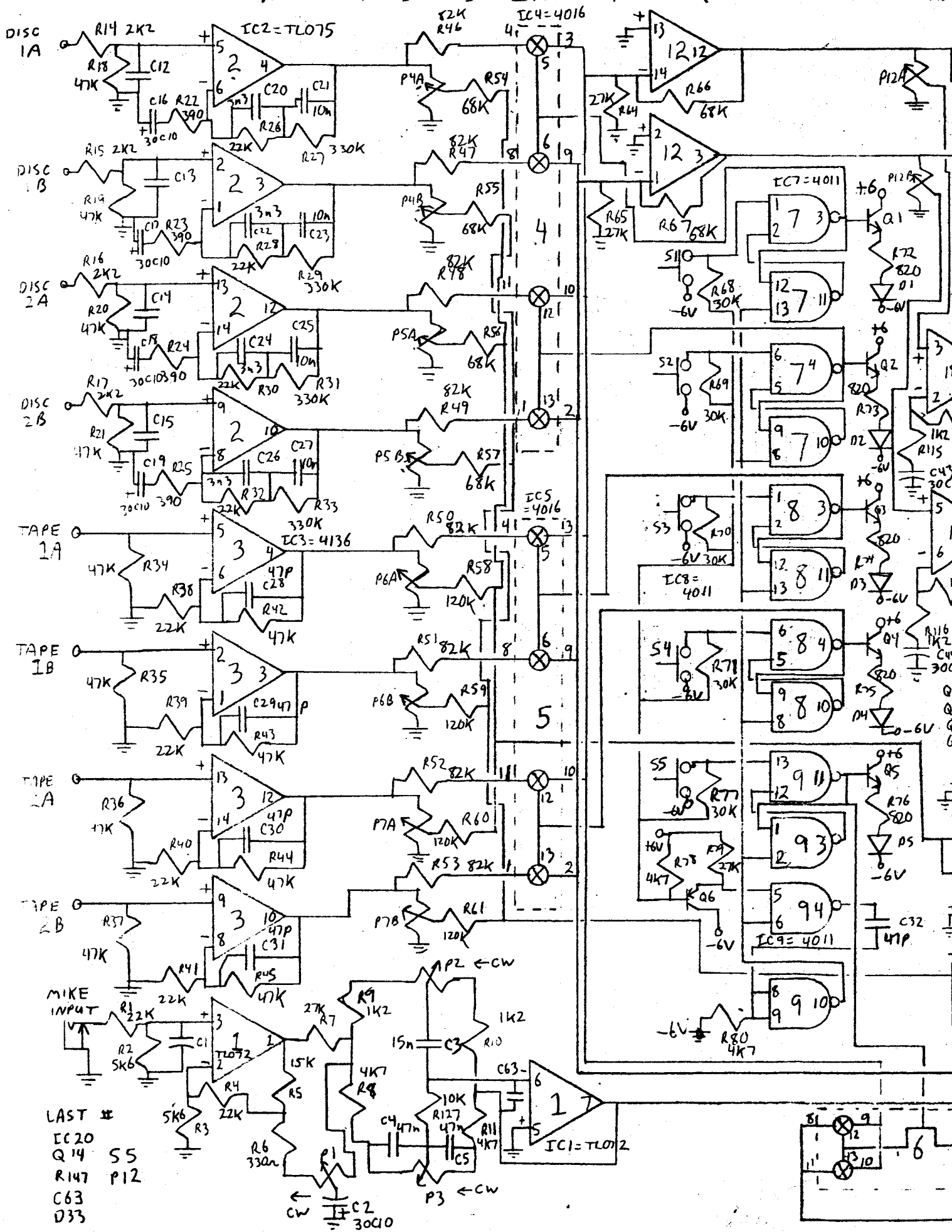
C53

C54

C55

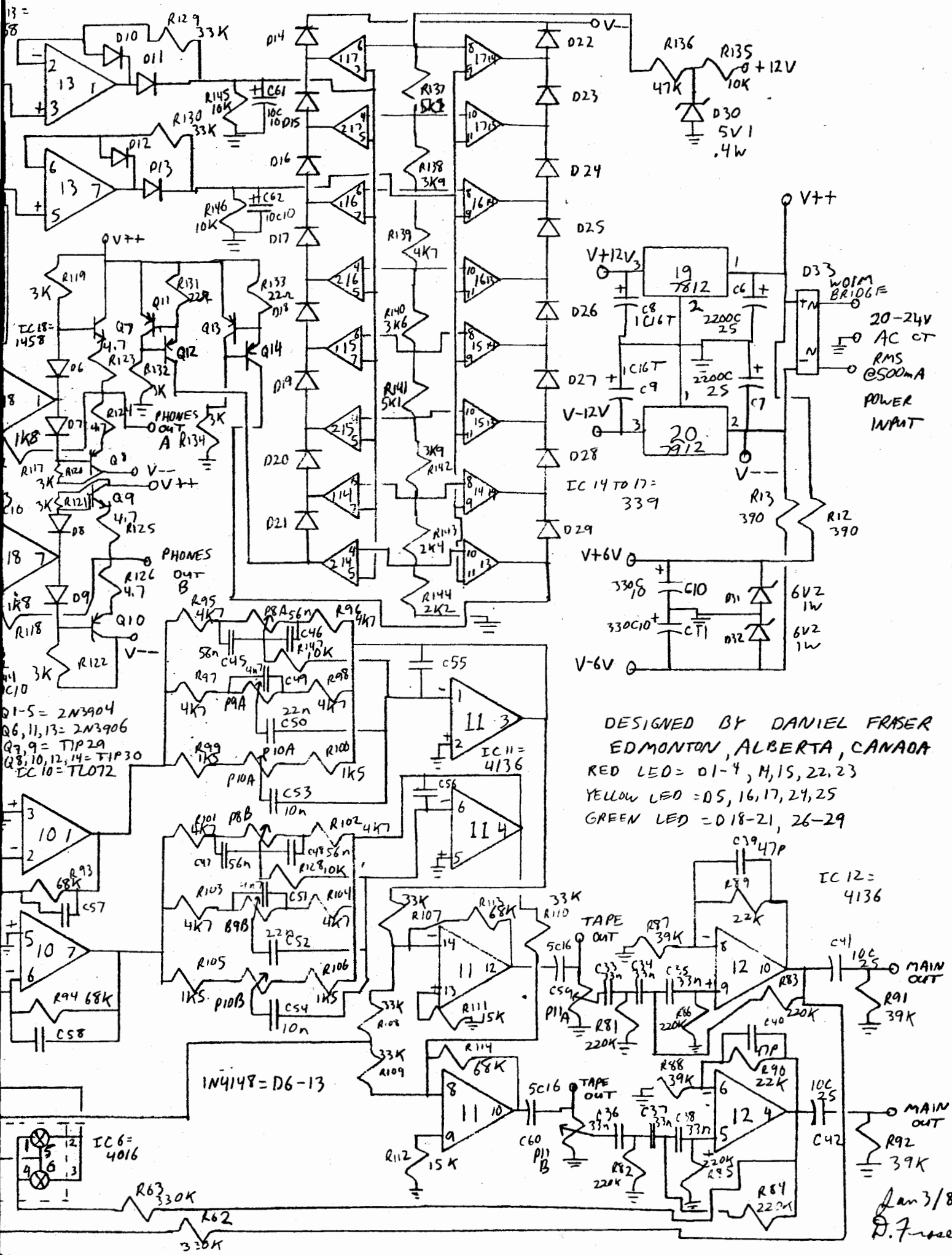
# VALA M-5 STEREO MIXER

EC1  
1458



- LAST #  
 IC20  
 Q14 S5  
 R147 P12  
 C63  
 D33

CW  
 C2 30c10  
 P3 ← CW



DESIGNED BY DANIEL FRASER  
 EDMONTON, ALBERTA, CANADA  
 RED LED = 01-4, 11, 15, 22, 23  
 YELLOW LED = 05, 16, 17, 24, 25  
 GREEN LED = 018-21, 26-29

IC 12 = 4136

MAIN OUT  
 R91 39K  
 R92 39K

Jan 3/82  
 D. Fraser