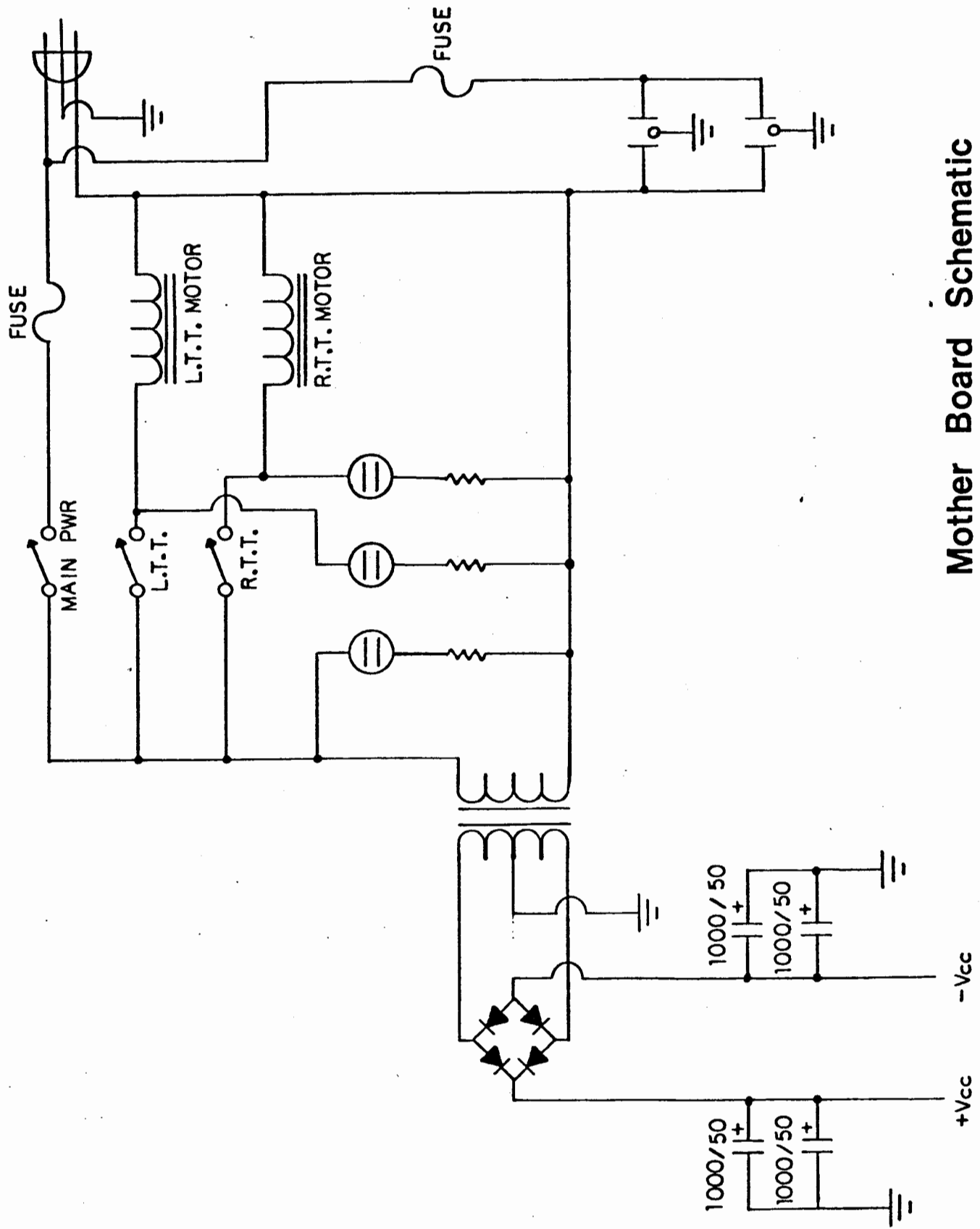
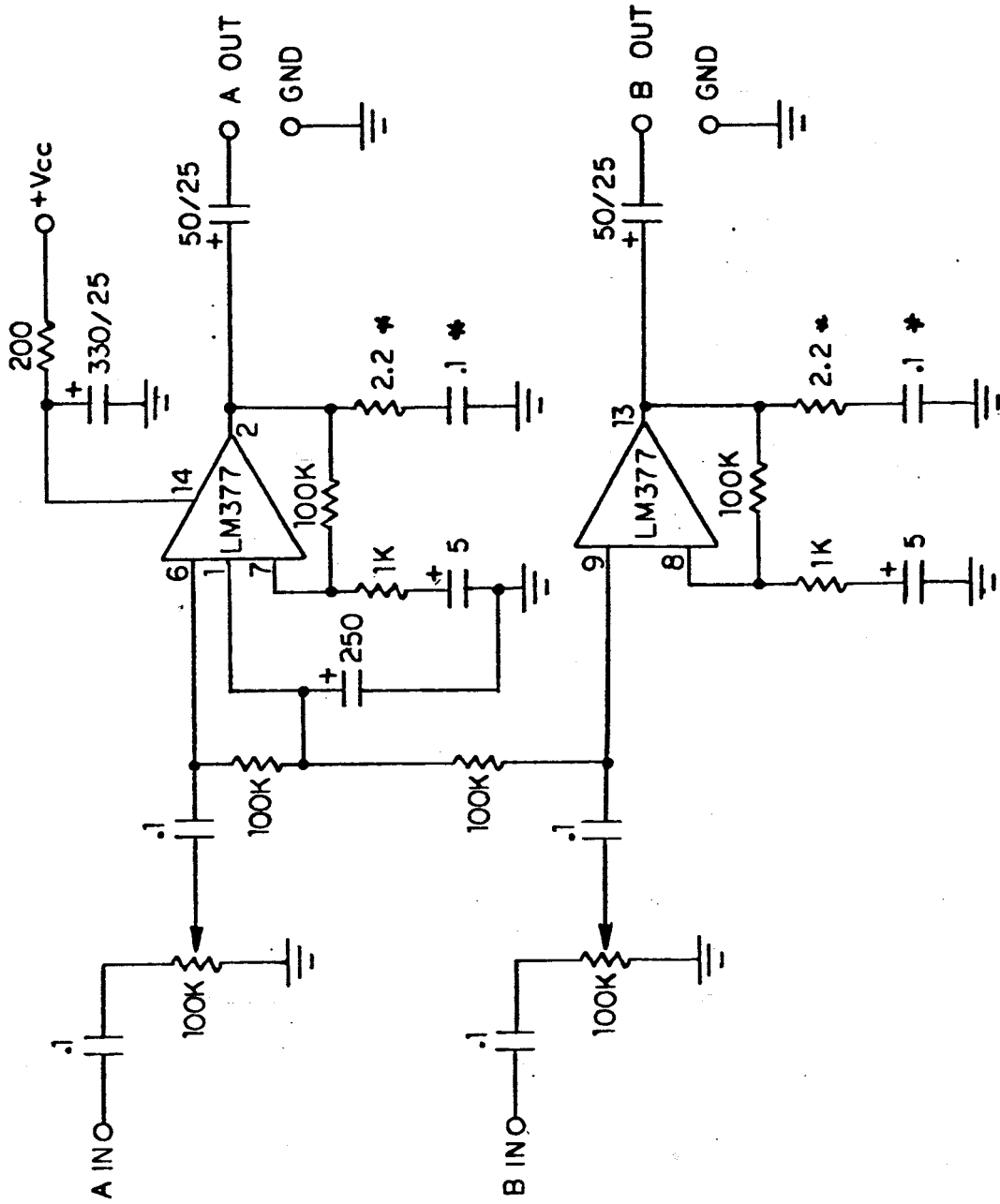


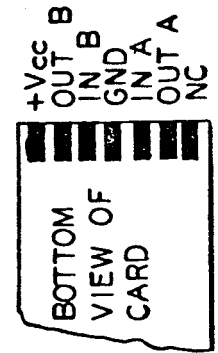
# Mother Board Schematic



**Mother Board Schematic**  
 Power Supply Section

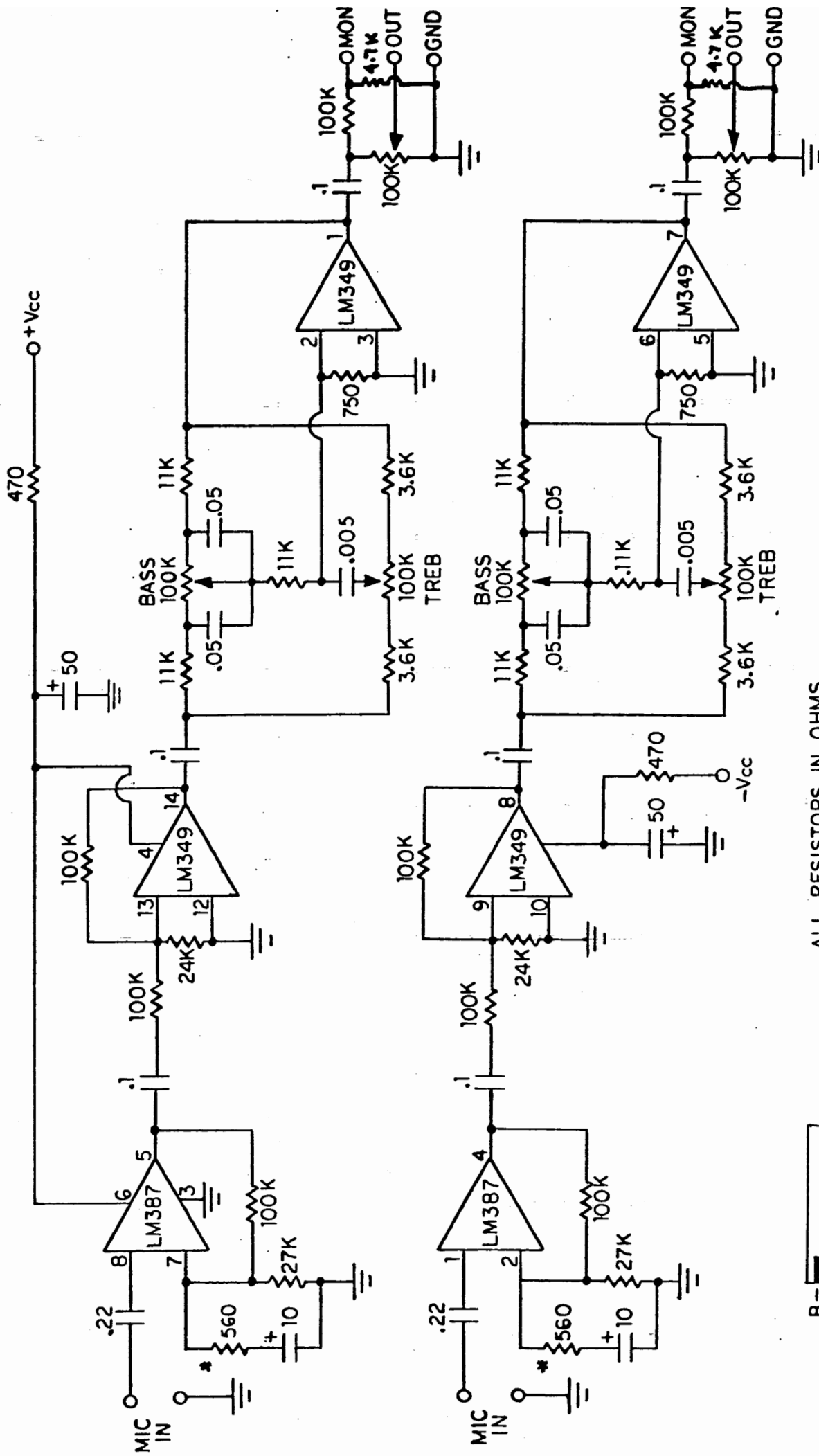


ALL RESISTORS IN OHMS  
 ALL CAPACITORS IN  $\mu$ f



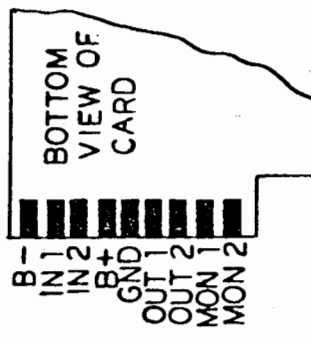
\* These components maybe omitted on most units.

### Schematic for CA-1 Card

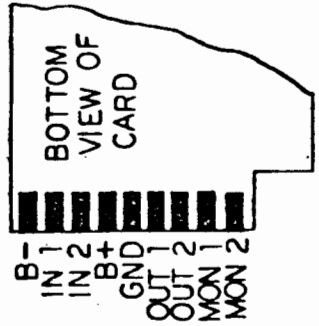
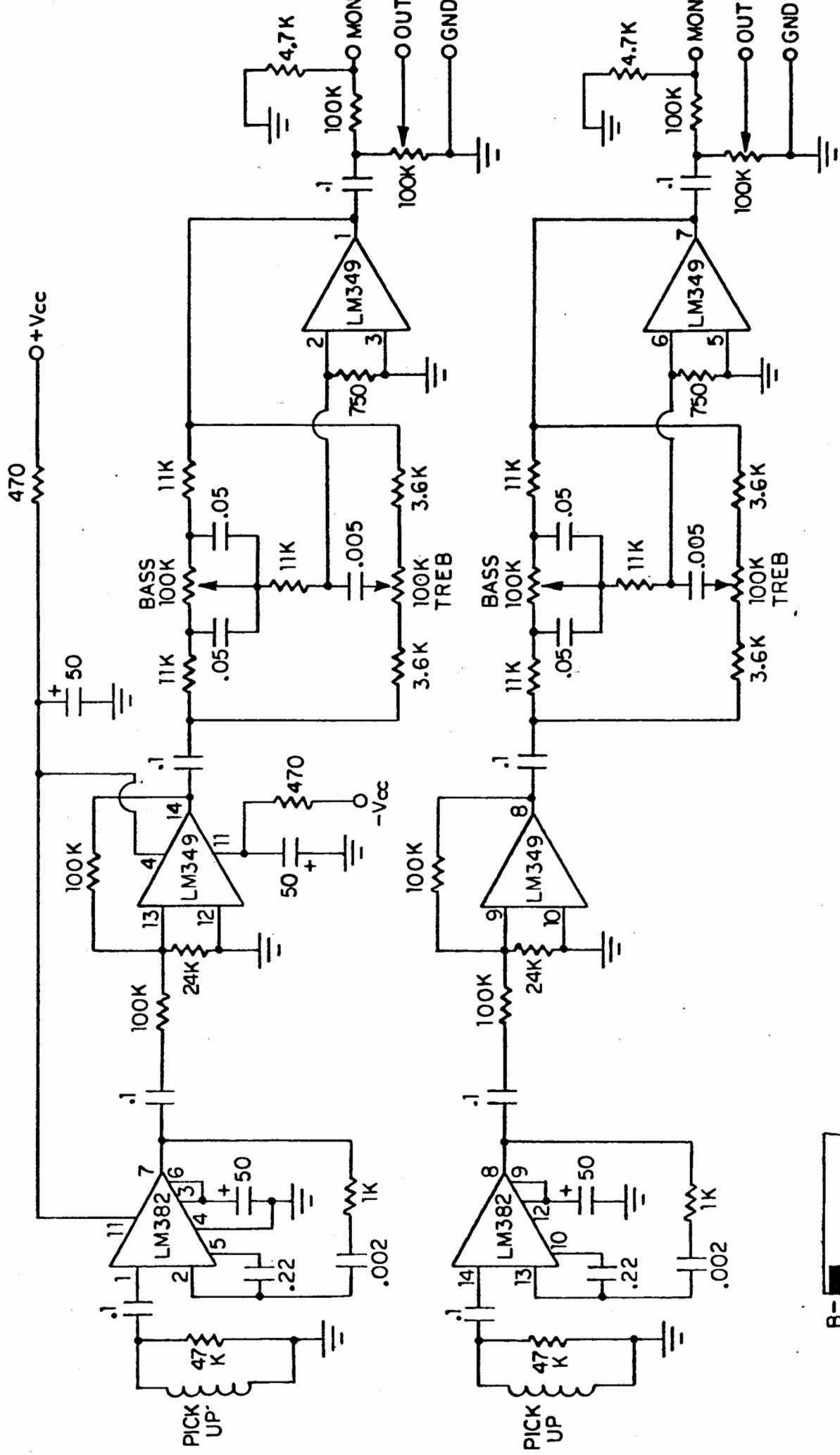


\* 2- Resistors are changed to 68K $\Omega$  for Aux. input card.

ALL RESISTORS IN OHMS  
ALL CAPACITORS IN  $\mu$ F



# Schematic for MPA Card



ALL RESISTORS IN OHMS  
ALL CAPACITORS IN  $\mu\text{f}$

Schematic for PPA-06 Card