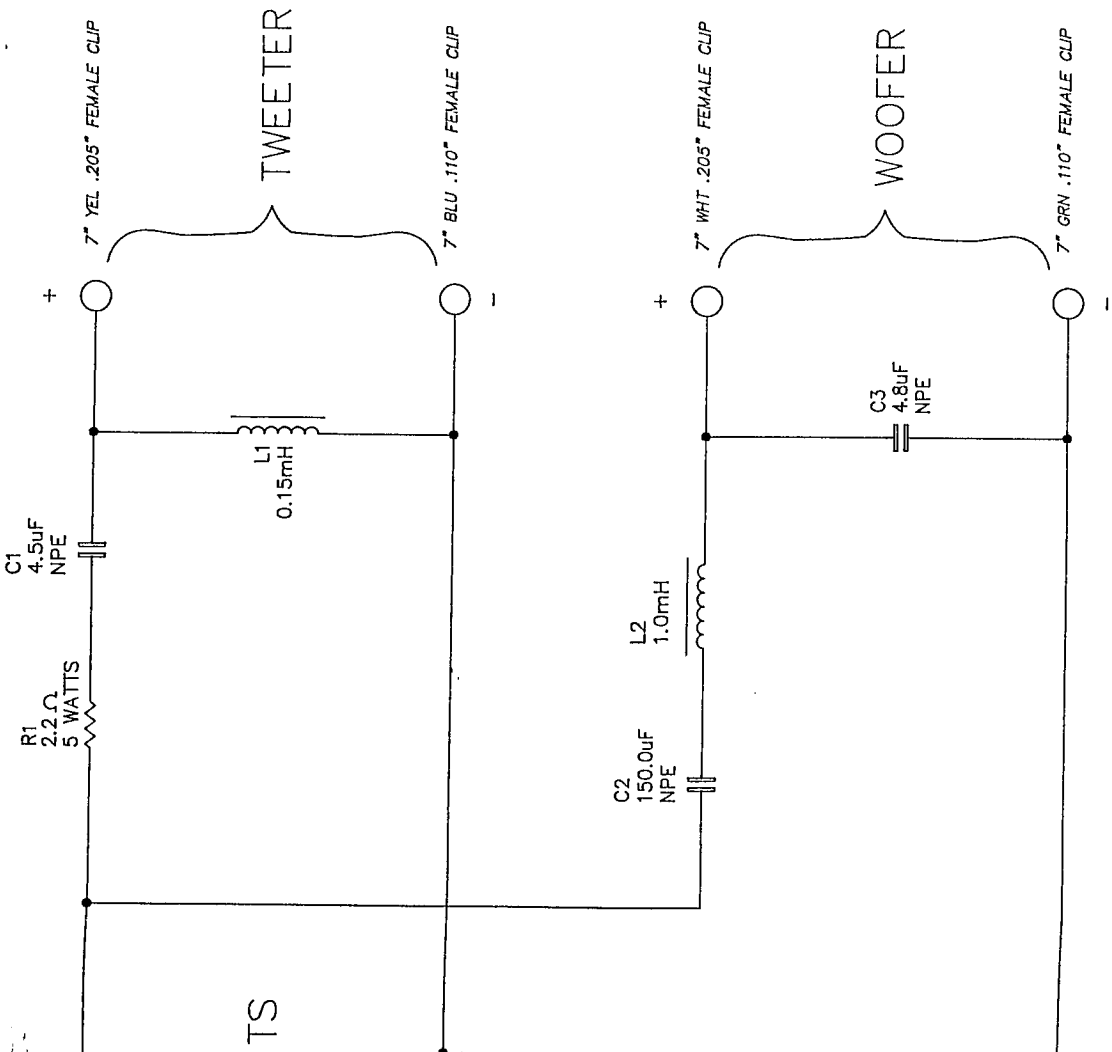


REVISIONS		
ECO	REV.	DESCRIPTION
-	A	RELEASE FOR PRODUCTION
		DATE: 03-06-92
		APPROVED: <i>Ry f</i>



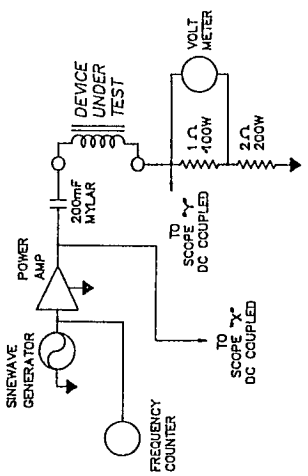
Bill of Material  
03-06-92

Inductors		Capacitors		Resistors	
Ref.	Value	Value	Tol%	D.F. % (Hz)	Type
L1	0.15	4.5uF	10	10	NPE
L2	1.00	150.0uF	10	10	NPE
		4.8uF	10	10	NPE

PCB: MATERIAL: Phenolic; Thickness: 2.0mm; WT: 1 oz  
 WIRES: UL1015 #18AWG; All wire lengths: 7"  
 CLIPS: Yel. .205" Female; Blu. .110" Female; Wht. .205" Female;  
 GRN. .110" Female  
 INPUTS: Push Terminals

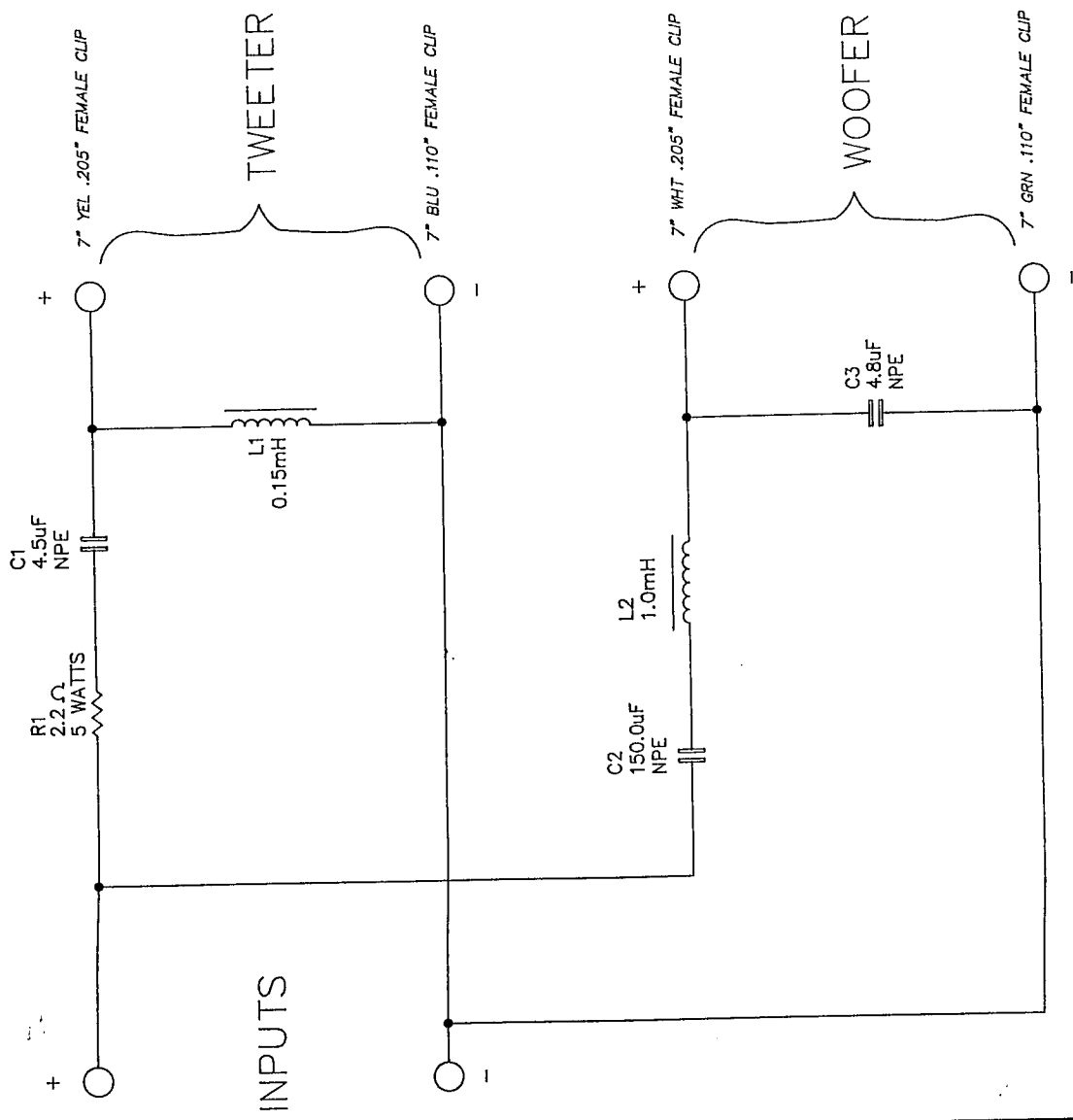
INFINITY SYSTEMS, INC. PROPRIETARY  
 This document contains confidential and proprietary information that is the property of Infinity Systems, Inc. and may not be disclosed to or duplicated for others except as authorized by Infinity Systems, Inc.

- ① GenRad DigiBridges @KHz.
- ② DC amps where inductance changes by 10%
- ③ Test set-up as shown:



APR 06 1992

Infinity Systems Inc.	
MICRO II SATELLITE	
CROSSOVER SCHEMATIC	
P/N: .015...5903	DATE: 12-09-91
DWG NO: 015-5903-01405-366	SCALE: N/A
DRAWN BY: R. RAHL	APPROVED: <i>Ry f</i>
REVISION: A	
PAGE 1 OF 1	



Ind Ref L1 L2  
 Cap Ref C1 C2 C3  
 Res Ref R1

PCI WIF CL INI

C  
 FREQUE  
 COUNT