

Technical Manual

Minuette Center L-MPS Satellite/Center



SPECIFICATIONS

ACOUSTIC & ELECTRICAL SPECIFICATIONS:

- Nominal Impedance: 8 ohm
- Max Amp Power: 80 watts
- Frequency response: 150Hz - 20kHz
- Sensitivity: 87 dB SPL (1 watt @ 1 meter)
- Crossover Frequency: 5kHz

AURAL SWEEP TEST SPECIFICATIONS:

- A. System Aural Sweep Test: 6.3V Input 20Hz to 20 kHz
- B. L. F. Aural Sweep Test: 6.3V Input 20Hz to 1.2 kHz
- C. H. F. Aural Sweep Test: 6.3V Input 1.2 kHz to 20 kHz

SYSTEM COMPONENTS:

- Cabinet: Minuette Center/L-MPS Center (A010-7911) Blk
L-MPS Satellite (J1162BA) Blk
- Grille: Minuette Center/L-MPS Center (A025-7913) Blk
L-MPS Satellite (J1163BB) Blk
- Front baffle: Minuette Center/L-MPS Center (A028-7912) Blk
L-MPS Satellite (J1161BA) Blk
- Low Frequency Transducer: 902-7548 3-1/2" (80mm)
Paper Cone Woofer, Shielded
DC Resistance: 3.5 ohm +/- 10%
- High Frequency Transducer: 902-7549 1/2" (12.7mm)
Pure Titanium Compression Driver
with acoustic lens
DC Resistance: 3.5 ohm +/- 10% Aluminum Wire
- Crossover Network: Minuette Center/L-MPS Center (A015-7547)
L-MPS Satellite (E4170B)

WARRANTY INFORMATION:

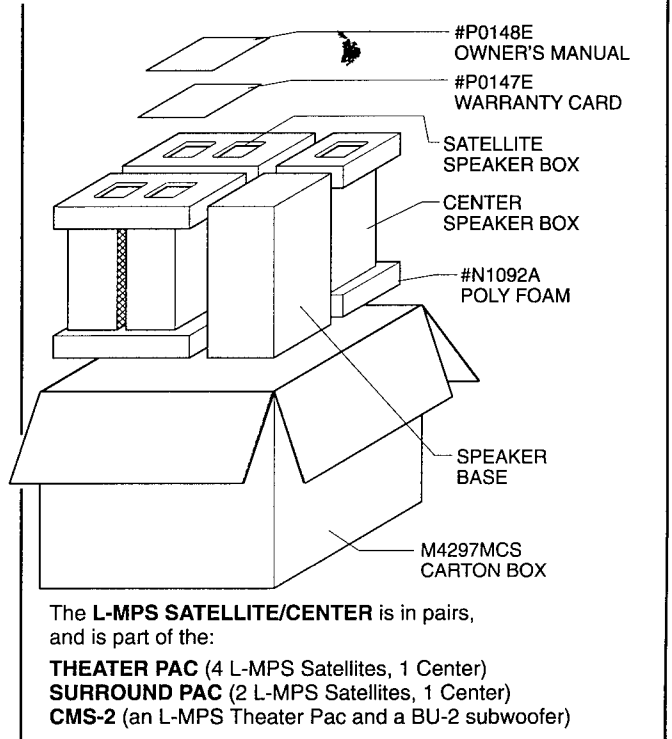
Refer to the Warranty Statement packed with each product.

PHYSICAL SPECIFICATIONS:

Enclosure Dimensions: 10-7/16" x 4-3/4" x 3-3/4" deep
265mm wide x 119mm high x 94mm deep

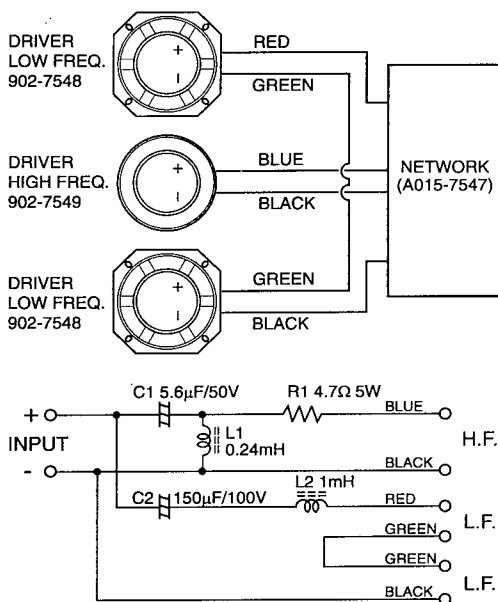
Shipping Weight: 29 lbs. (13.2 kg) Theater Pac

PACKAGE 5 Piece Theater Pac

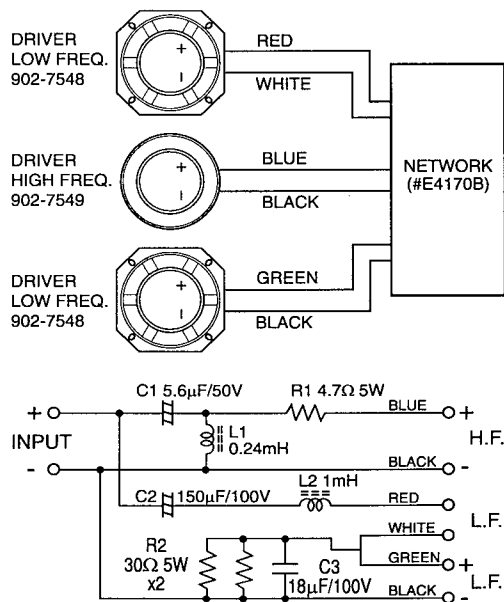


WIRING DIAGRAMS

MINUETTE CENTER / L-MPS CENTER



L-MPS SATELLITE



Minuette Center L-MPS Satellite/Center

COMPONENT EXPLODED VIEW

