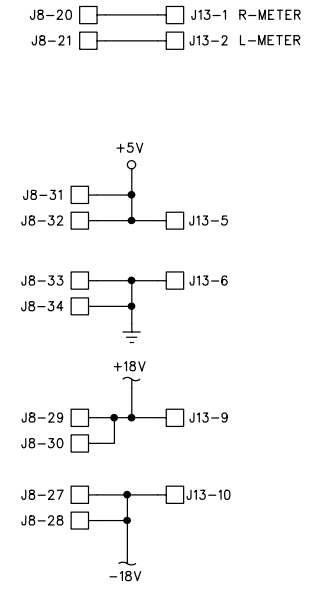
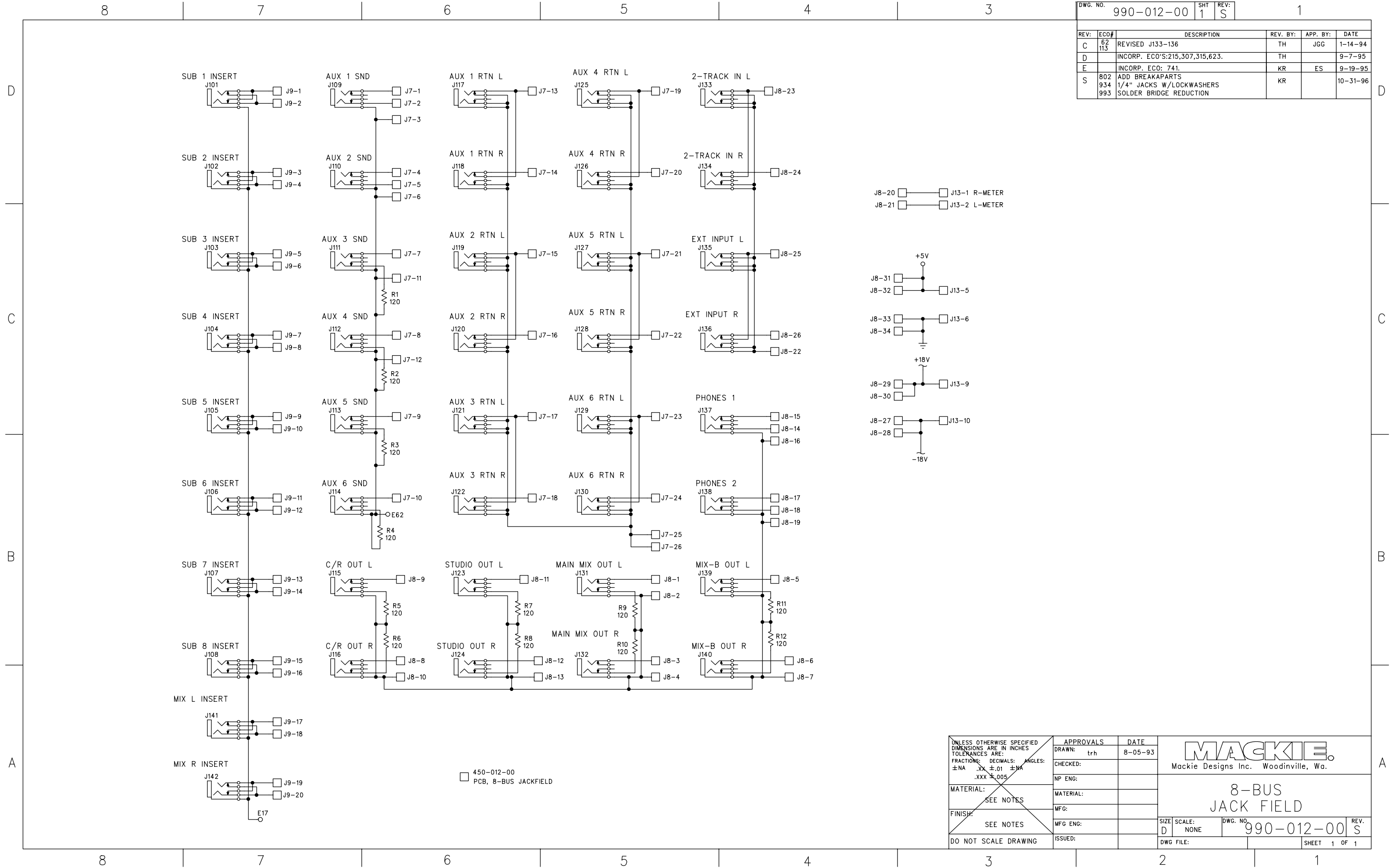


DWG. NO.	990-012-00	SHT	1	REV:	S	1
REV:	ECO#	DESCRIPTION	REV. BY:	APP. BY:	DATE	
C	62 113	REVISED J133-136	TH	JGG	1-14-94	
D		INCORP. ECO'S:215,307,315,623.	TH		9-7-95	
E		INCORP. ECO: 741.	KR	ES	9-19-95	
S	802 934 993	ADD BREAKAPARTS 1/4" JACKS W/LOCKWASHERS SOLDER BRIDGE REDUCTION	KR		10-31-96	



UNLESS OTHERWISE SPECIFIED DIMENSIONS ARE IN INCHES TOLERANCES ARE: FRACTIONS: .XX ±.01 ±.01 DECIMALS: .XXX ±.005 ANGLES: ±NA MATERIAL: SEE NOTES FINISH: SEE NOTES DO NOT SCALE DRAWING	APPROVALS	DATE	MACKIE Mackie Designs Inc. Woodinville, Wa.
	trh	8-05-93	
	CHECKED:		
	NP ENG:		
	MATERIAL:		8-BUS JACK FIELD
	MFG:		
	MFG ENG:		SIZE: D
	ISSUED:		SCALE: NONE
			DWG. NO. 990-012-00
			REV. S
			DWG. FILE:
			SHEET 1 OF 1

J7

AUX 1 OUT +	1	2	AUX 1 OUT -
AUX 1 OUT GND	3	4	AUX 2 OUT +
AUX 2 OUT -	5	6	AUX 2 OUT GND
AUX 3 OUT	7	8	AUX 4 OUT
AUX 5 OUT	9	10	AUX 6 OUT
AUX 3-6 GND	11	12	AUX 3-6 GND
AUX 1 RTN L	13	14	AUX 1 RTN R
AUX 2 RTN L	15	16	AUX 2 RTN R
AUX 3 RTN L	17	18	AUX 3 RTN R
AUX 4 RTN L	19	20	AUX 4 RTN R
AUX 5 RTN L	21	22	AUX 5 RTN R
AUX 6 RTN L	23	24	AUX 6 RTN R
AUX RTN GND	25	26	AUX RTN GND

J9

SUB 1 INS SEND	1	2	SUB 1 INS RTN
SUB 2 INS SEND	3	4	SUB 2 INS RTN
SUB 3 INS SEND	5	6	SUB 3 INS RTN
SUB 4 INS SEND	7	8	SUB 4 INS RTN
SUB 5 INS SEND	9	10	SUB 5 INS RTN
SUB 6 INS SEND	11	12	SUB 6 INS RTN
SUB 7 INS SEND	13	14	SUB 6 INS RTN
SUB 8 INS SEND	15	16	SUB 8 INS RTN
L MIX INS SEND	17	18	L MIX INS RTN
R MIX INS SEND	19	20	R MIX INS RTN

J8

L MIX UNBAL OUT	1	2	L MIX UNBAL GND
R MIX UNBAL OUT	3	4	R MIX UNBAL GND
MIX B OUT L	5	6	MIX B OUT R
MIX B GND	7	8	CONTROL ROOM R
CONTROL ROOM L	9	10	CONTROL ROOM GND
STUDIO L	11	12	STUDIO R
STUDIO GND	13	14	PHONES 1 R
PHONES 1 L	15	16	PHONES 1 GND
PHONES 2 L	17	18	PHONES 2 R
PHONES 2 GND	19	20	R METER B
L METER B	21	22	2 TRK/EXT GND
2 TRK L	23	24	2 TRK R
EXT IN L	25	26	EXT IN R
-16V	27	28	-16V
+16V	29	30	+16V
+5V	31	32	+5V
DGND	33	34	DGND

J13

R METER	1	2	L METER
N/C	3	4	N/C
+5V	5	6	N/C
N/C	7	8	N/C
+18V	9	10	-18V
N/C	11	12	N/C
N/C	13	14	N/C
N/C	15	16	N/C
N/C	17	18	N/C
N/C	19	20	N/C

