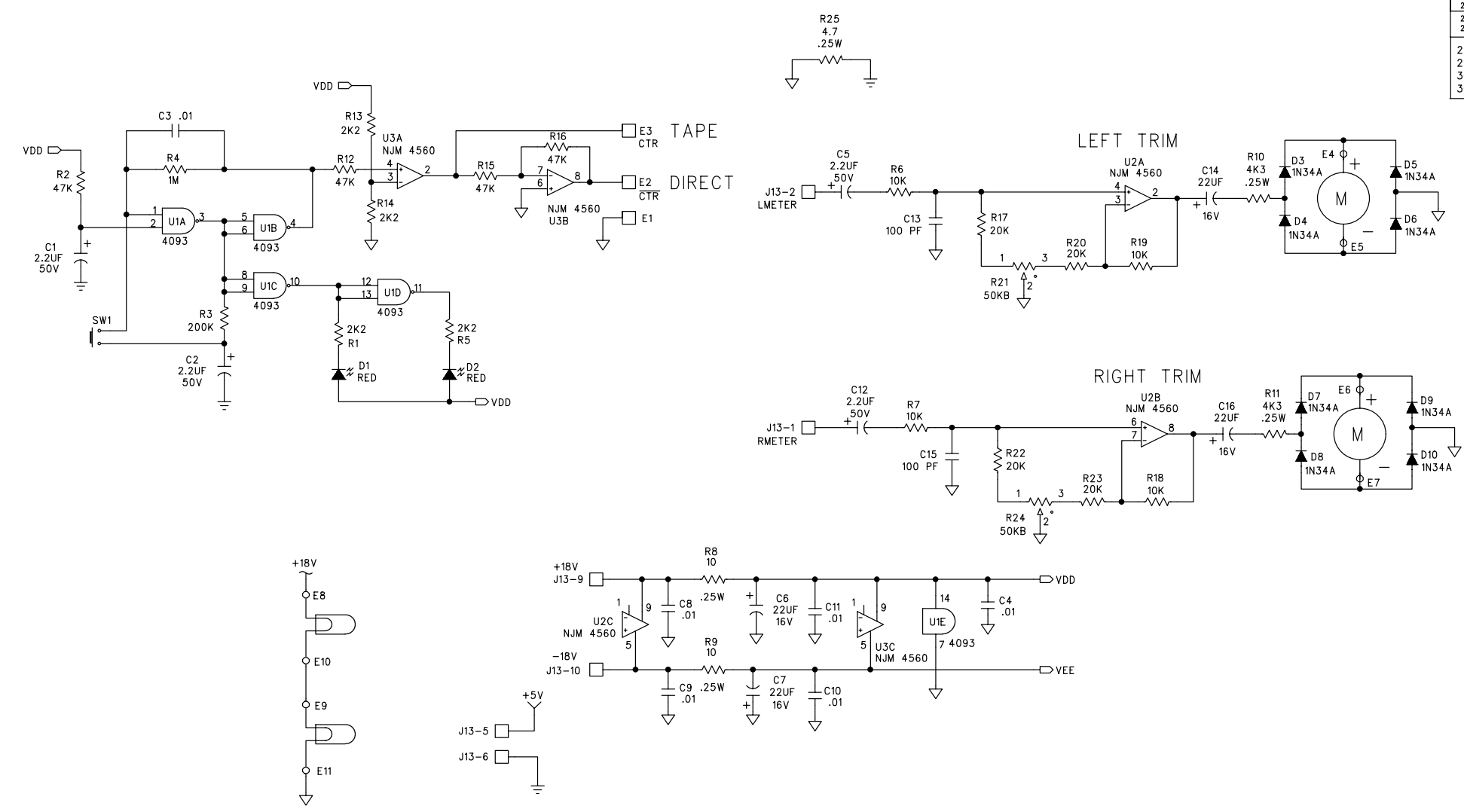


DWG. NO.	990-022-00	SHT	1	REV:	H
ECO#	REV:	DESCRIPTION	REV. BY:	APP. BY:	DATE
149	C	PCB DIM REVISION	TH	JG	3-14-94
145	D	PHASE 1 ; MISC CHANGES	TH		4-14-94
192	E	ROTATED DATA BASE ADDED REFLECTOR TO BOM ADDED TRIM CKT	TH		6-2-94
232	F	ADDED REFLECTOR & HOT GLUE REVISED TRIM CKT	TH		8-1-94
237	G	RELOCATED METERS REVISED WIRES	TH	JG LM	8-23-94
259	H	ADDED R25 TIGHTENED TOLERANCES R10,R11 WERE 4K3 1/BW ADDED WIRE COLORS	TRH		9-7-94



- 720-004-00 TAPE,DS.,125 X .75W, NEO
- 609-002-00 WIRE, 26 AWG BLK 3 IN
- 609-001-00 WIRE, 26 AWG RED 3.5 IN
- 706-020-00 SPACER, LED .160 THRU
- 770-002-00 METER, YS-475
- 450-022-00 PCB, ANALOG METER BD
- 706-030-00 STANDOFF, SWAGE 4-40
- 609-004-00 WIRE, 26 AWG BLUE 4.5 IN ST2 .25
- 780-010-00 REFLECTOR, VU METER
- 550-128-00 VU PLATE
- 700-011-00 SCREW, BTN HD 4-40X1/4
- 609-003-00 WIRE, 26 AWG GRN 4 IN ST2 .25

UNLESS OTHERWISE SPECIFIED DIMENSIONS ARE IN INCHES TOLERANCES ARE: FRACTIONS: .XX ±.01 ±.01 DECIMALS: .XXX ±.005 ANGLES: ±.1° MATERIAL: SEE NOTES FINISH: SEE NOTES DO NOT SCALE DRAWING	CONTRACT NO:		MACKIE Mackie Designs Inc. Woodinville, Wa.	
	APPROVALS	DATE		
	DRAWN: trh	7-01-93	ANALOG METER, METER BRIDGE	
	CHECKED:	ISSUED:		
ENG: CR FOR JG	4-14-94	SIZE: D	DWG. NO. 990-022-00	REV. H
MFG:		SCALE: NONE	SHEET 1 OF 1	

