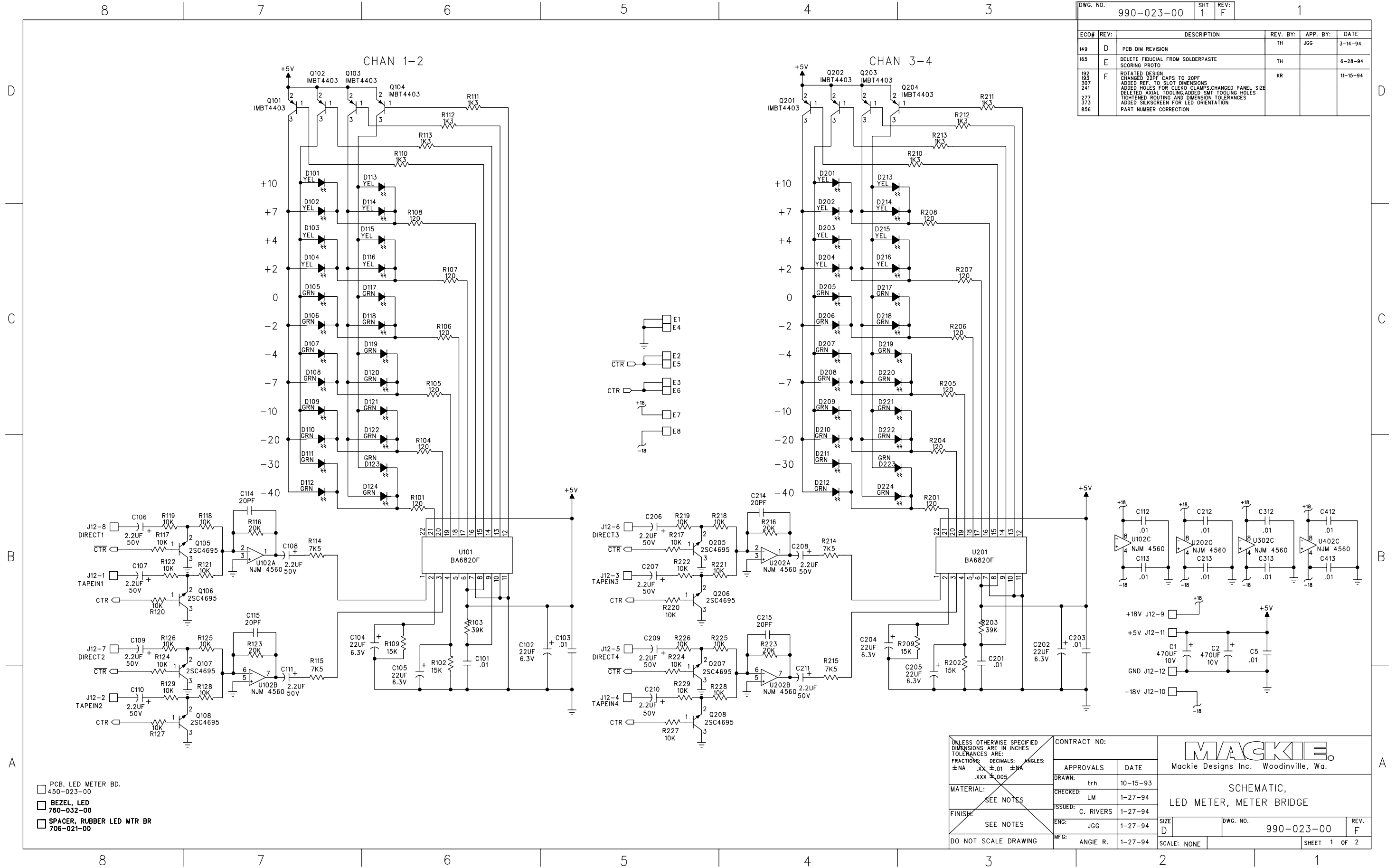


DWG. NO.	990-023-00	SHT	1	REV:	F
----------	------------	-----	---	------	---

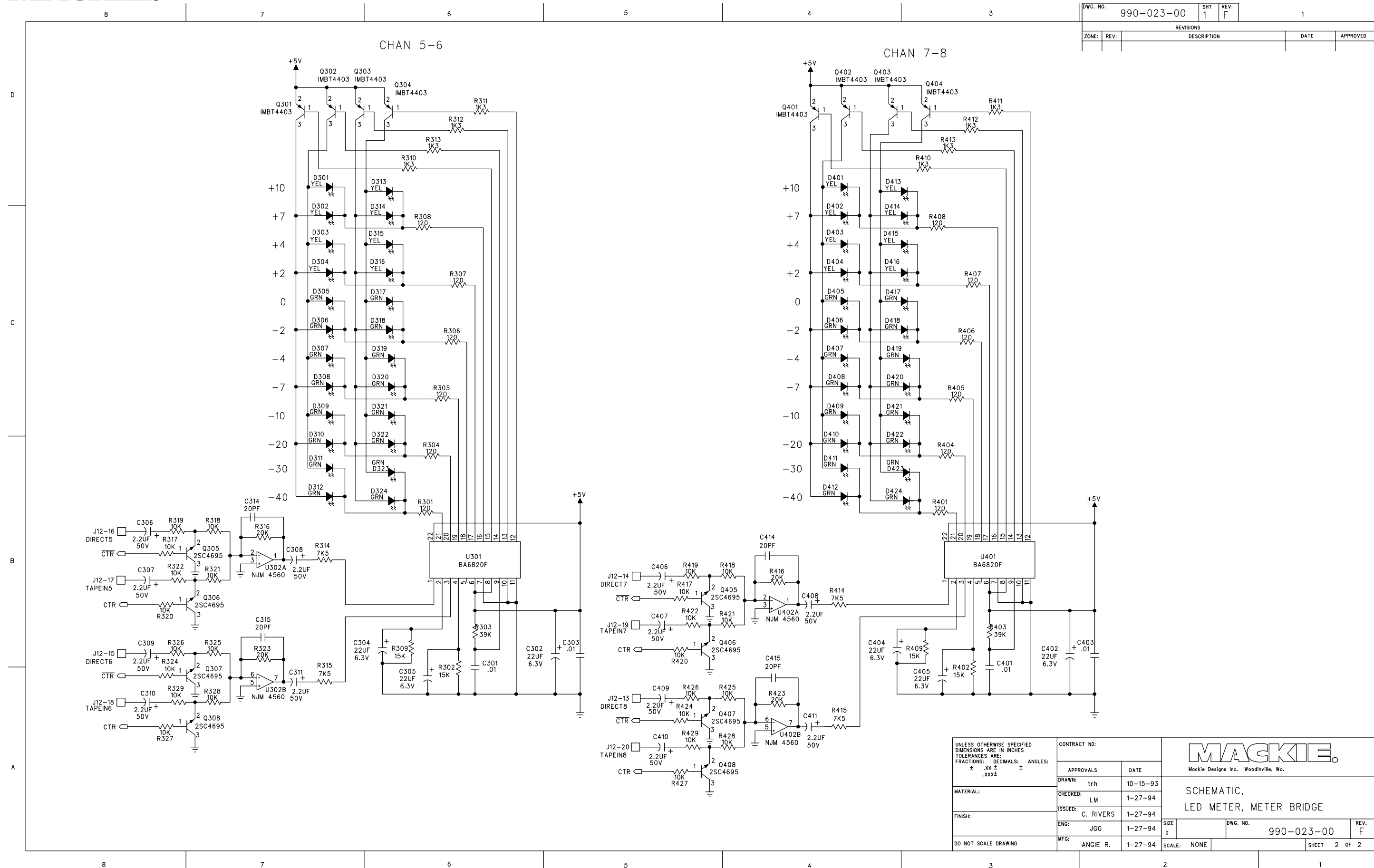
ECO#	REV:	DESCRIPTION	REV. BY:	APP. BY:	DATE
149	D	PCB DIM REVISION	TH	JGG	3-14-94
185	E	DELETE FIDUCIAL FROM SOLDERPASTE SCORING PRGTO	TH		6-28-94
192	F	ROTATED DESIGN	KR		11-15-94
193		CHANGED 22PF CAPS TO 20PF			
307		ADDED REF. TO SLOT DIMENSIONS			
241		ADDED HOLES FOR CLEKO CLAMPS, CHANGED PANEL SIZE			
277		DELETED AXIAL TOOLING, ADDED SMT TOOLING HOLES			
373		TIGHTENED ROUTING AND DIMENSION TOLERANCES			
856		ADDED SILKSCREEN FOR LED ORIENTATION			
		PART NUMBER CORRECTION			



- PCB, LED METER BD.
450-023-00
- BEZEL, LED
760-032-00
- SPACER, RUBBER LED MTR BR
706-021-00

UNLESS OTHERWISE SPECIFIED DIMENSIONS ARE IN INCHES TOLERANCES ARE: FRACTIONS: .XX ±.01 ±.04 DECIMALS: .XXX ±.005 ANGLES: MATERIAL: SEE NOTES FINISH: SEE NOTES DO NOT SCALE DRAWING	CONTRACT NO:		MACKIE Mackie Designs Inc. Woodinville, Wa.
	APPROVALS	DATE	
	CHECKED: LM	1-27-94	
	ISSUED: C. RIVERS	1-27-94	
ENG: JGG	1-27-94	SIZE D	DWG. NO. 990-023-00 REV. F
MFG: ANGIE R.	1-27-94	SCALE: NONE	

REVISIONS				
ZONE:	REV:	DESCRIPTION	DATE	APPROVED



UNLESS OTHERWISE SPECIFIED DIMENSIONS ARE IN INCHES TOLERANCES ARE: FRACTIONS: DECIMALS: ANGLES: ± .xx ± ± .xxx ±	CONTRACT NO:		 Mackie Designs Inc. Woodville, Wa.	
	APPROVALS	DATE		
	MATERIAL:	DRAWN: trh	10-15-93	SCHEMATIC, LED METER, METER BRIDGE
	FINISH:	CHECKED: LM	1-27-94	
DO NOT SCALE DRAWING	ISSUED: C. RIVERS	1-27-94	DWG. NO. 990-023-00 REV. F	
	ENG: JGG	1-27-94	SCALE: NONE SHEET 2 OF 2	
	MFG: ANGIE R.	1-27-94		

