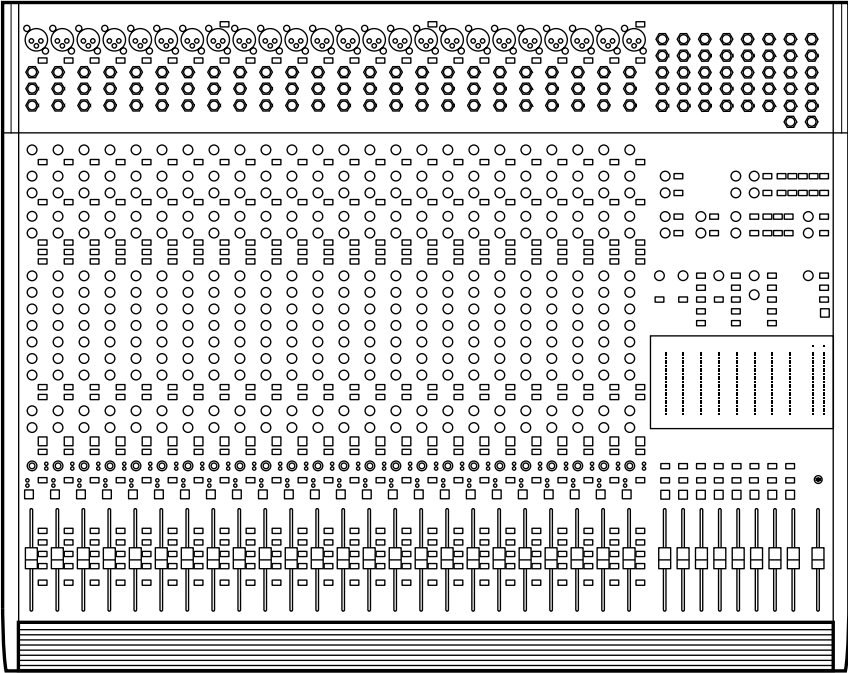



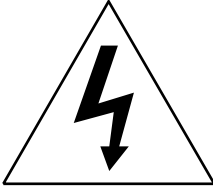
MACKIE.®

8•BUS

8•BUS MIXING CONSOLE



SERVICE MANUAL

	<h2 style="margin: 0;">CAUTION AVIS</h2> <p style="margin: 0;">RISK OF ELECTRIC SHOCK DO NOT OPEN <i>RISQUE DE CHOC ELECTRIQUE NE PAS OUVRIR</i></p>	
<p>CAUTION: TO REDUCE THE RISK OF ELECTRIC SHOCK DO NOT REMOVE THE COVER (OR BACK) NO USER SERVICEABLE PARTS INSIDE REFER SERVICING TO QUALIFIED PERSONNEL</p> <p>WARNING: TO REDUCE THE RISK OF FIRE OR ELECTRIC SHOCK, DO NOT EXPOSE THIS PRODUCT TO RAIN OR MOISTURE</p> <p>TO PREVENT ELECTRIC SHOCK, DO NOT USE THIS POLARIZED PLUG WITH AN EXTENSION CORD, RECEPTACLE OR OTHER OUTLET UNLESS THE BLADES CAN BE FULLY INSERTED TO PREVENT BLADE EXPOSURE.</p>	<p><i>ATTENTION: POUR EVITER LES RISQUES DE CHOC ELECTRIQUE, NE PAS ENLEVER LE COUVERCLE. AUCUN ENTRETIEN DE PIECES INTERIEURES PAR L'USAGER. CONFIER L'ENTRETIEN AU PERSONNEL QUALIFIE.</i></p> <p><i>AVIS: POUR EVITER LES RISQUES D'INCENDIE OU D'ELECTROCUTION, N'EXPOSEZ PAS CET ARTICLE A LA PLUIE OU A L'HUMIDITE.</i></p> <p><i>POUR PREVENIR LES CHOCS ELECTRIQUES NE PAS UTILISER CETTE FICHE POLARISEE AVEC UN PROLONGATEUR, UN PRISE DE COURANT OU UNE AUTRE SORTIE DE COURANT, SAUF SI LES LAMES PEUVENT ETRE INSEREES A FOND SANS LAISSER AUCUNE PARTIE A DECOUVERT.</i></p>	
<p>This apparatus does not exceed the Class A/Class B (whichever is applicable) limits for radio noise emissions from digital apparatus as set out in the radio interference regulations of the Canadian Department of Communications.</p> <p>ATTENTION :Le présent appareil numérique n'émet pas de bruits radioélectriques dépassant les limites applicables aux appareils numériques de class A/de class B (selon le cas) prescrites dans le règlement sur le brouillage radioélectrique édicté par les ministere des communications du Canada.</p> <p>This equipment has been tested and found to comply with the limits for a Class A digital device, pursuant to part 15 of the FCC rules. These limits are designed to provide reasonable protection against harmful interference when the equipment is operated in a commercial environment. This equipment generates, uses, and can radiate radio energy and, if not installed properly and used in accordance with the instruction manual, may cause harmful interference to radio communications. Operation of this equipment in a residential area is likely to cause harmful interference in which case the user will be required to correct the interference at his own expense.</p>		



The lightning flash with arrowhead symbol within an equilateral triangle is intended to alert the user to the presence of uninsulated "dangerous voltage" within the product's enclosure, that may be of sufficient magnitude to constitute a risk of electric shock to persons.

Le symbole éclair avec point de flèche à l'intérieur d'un triangle équilatéral est utilisé pour alerter l'utilisateur de la présence à l'intérieur du coffret de "voltage dangereux" non isolé d'ampleur suffisante pour constituer un risque d'électrocution.



The exclamation point within an equilateral triangle is intended to alert the user of the presence of important operating and maintenance (servicing) instructions in the literature accompanying the appliance.

Le point d'exclamation à l'intérieur d'un triangle équilatéral est employé pour alerter les utilisateurs de la présence d'instructions importantes pour le fonctionnement et l'entretien (service) dans le livret d'instruction accompagnant l'appareil.

CONTENTS

INTRODUCTION	3
Technical Support	3
Disclaimer	3
BLOCK DIAGRAM	4
QUICK PARTS.....	5-8
FOLD-OUT SECTIONS: (Schematics and PCB layouts)	
Mic/Line Preamp board	08-1
Channel board	09-1
Output board	10-1
Meter board	11-1
Jack Field board	12-1
Tape Output board	13-1
Tape Input board	14-1
Power Supply	15-1
Expander board	19-1
Power Distribution board	20-1
Expander Output board	21-1
Analog Meter board	22-1
LED Meter board	23-1

INTRODUCTION



This manual contains basic service information. It is essential that you have a copy of the user's manual as this contains the complete operating instructions.



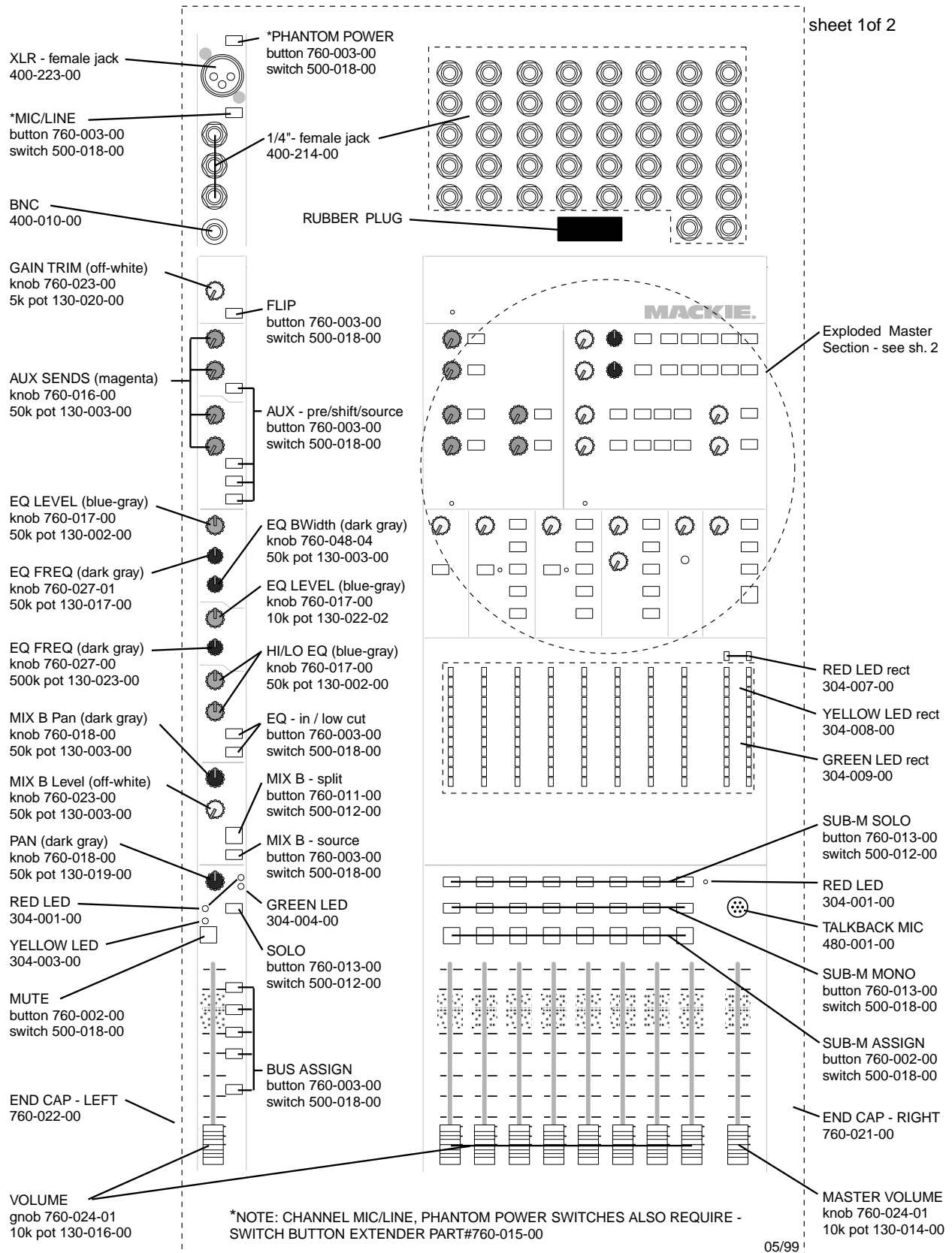
SERVICE TECHNICAL ASSISTANCE

Mackie Designs, Service Technical Assistance, is available 8AM - 5PM PST, Monday through Friday for Authorized Mackie Service Centers, at 1-800-258-6883. Feel free to call with any questions and speak with a carefully-calibrated technician. If one is not available, leave a detailed message and a qualified Mackoid will return your call asap.

DISCLAIMER

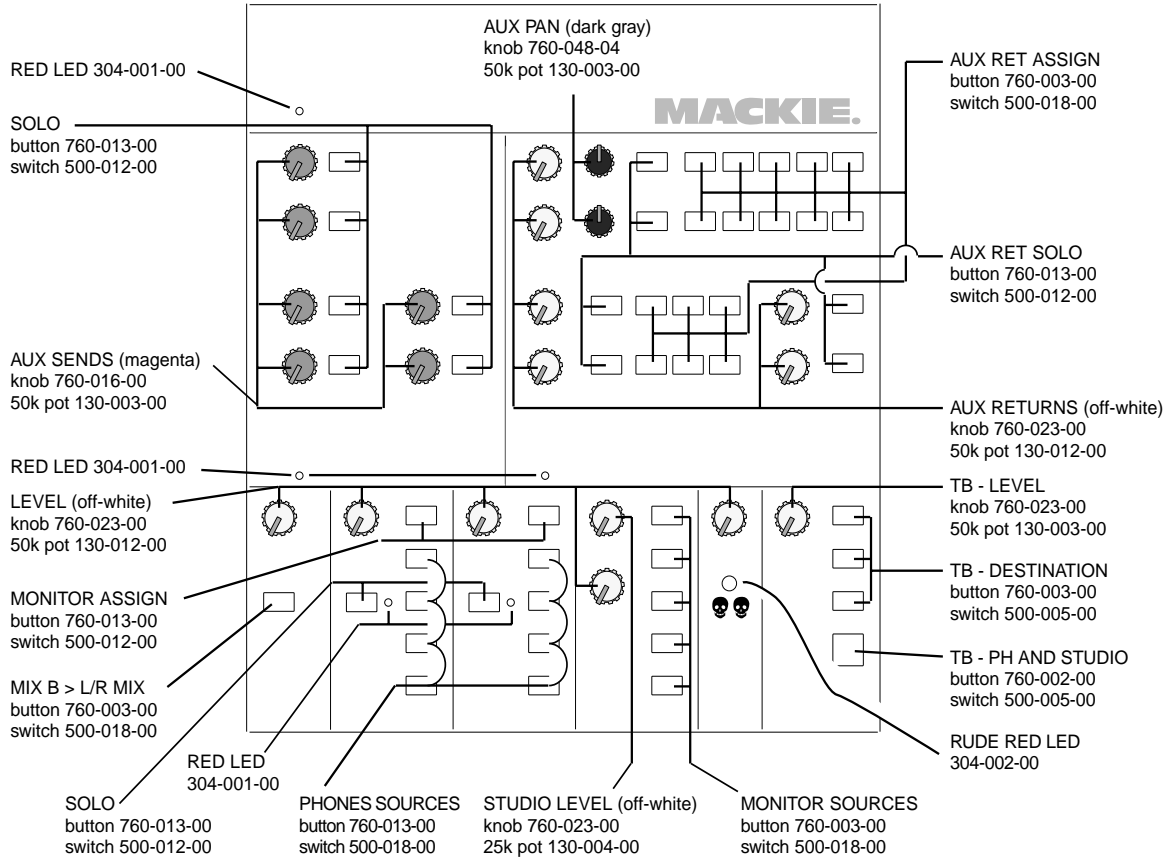
The information contained in this manual is proprietary to Mackie Designs, Inc. The entire manual is protected under copyright and may not be reproduced by any means without express written permission from Mackie Designs, Inc.

QUICK PARTS

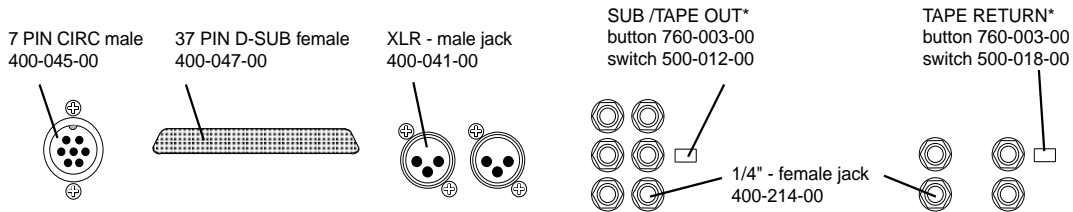


EXPLODED MASTER SECTION

8 Bus Quick Parts



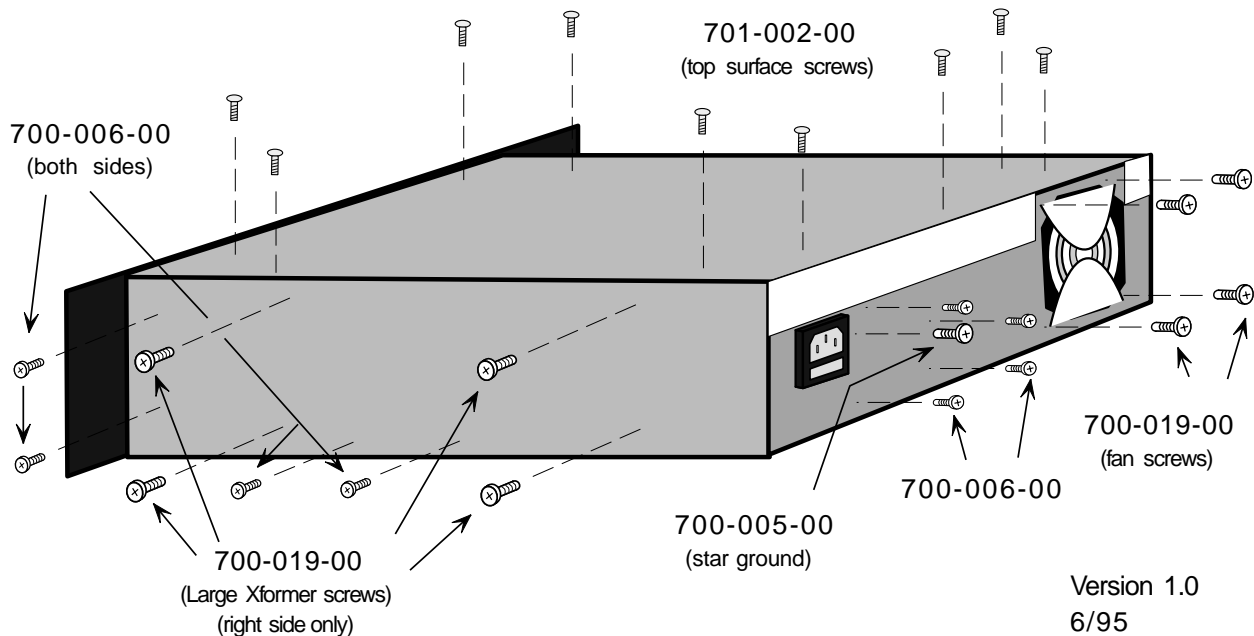
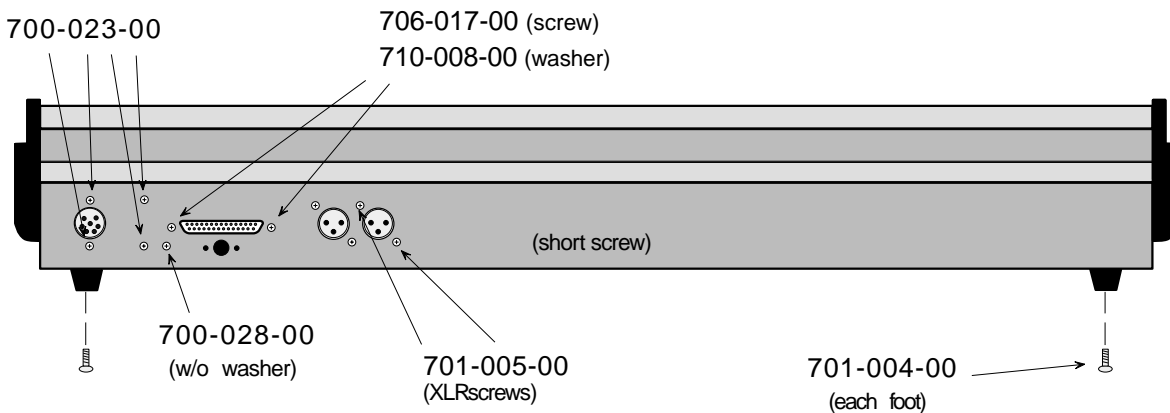
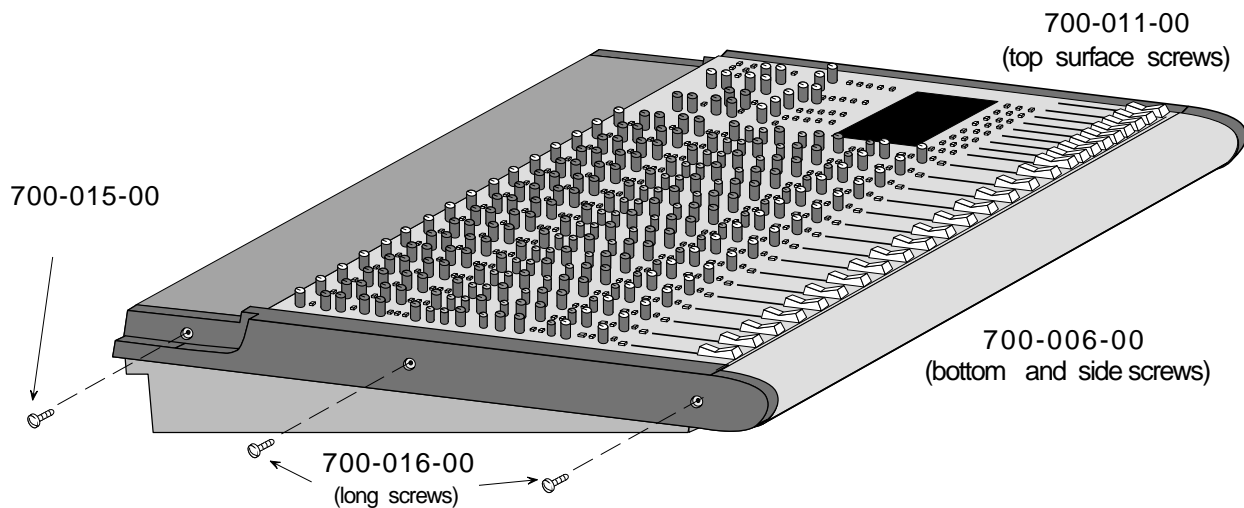
REAR PANEL

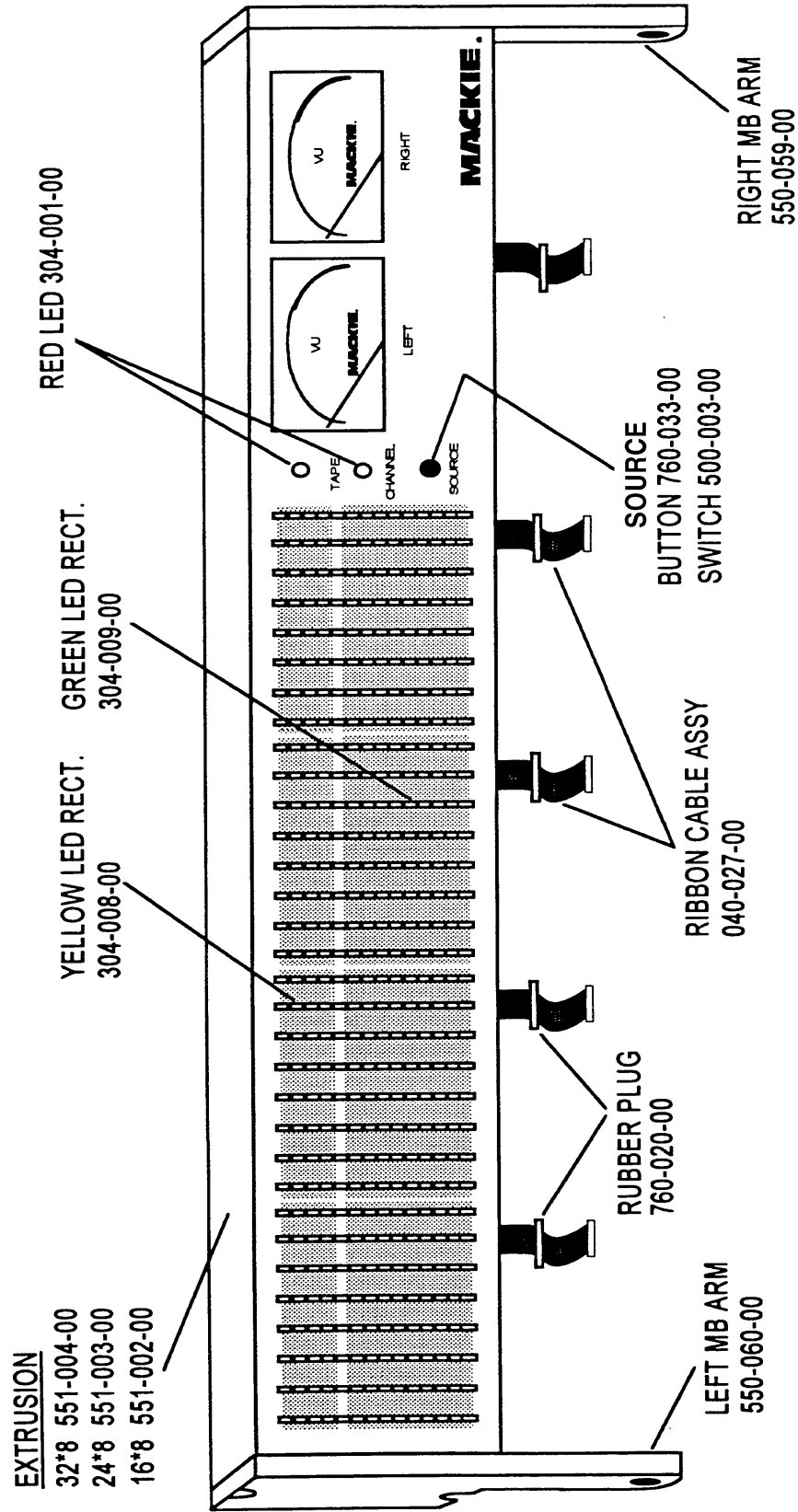


* NOTE: SUBMASTER/TAPE OUTPUT & TAPE RETURN LEVEL SWITCHES ALSO REQUIRE - SWITCH BUTTON EXTENDER PART#760-028-00

MISCELLANEOUS:

8 BUS OWNER'S MANUAL 820-007-00	8 BUS Power Supply OWNER'S MANUAL, 820-006-00	Meter Bridge INSTRUCTIONS 820-008-00
Extrusion ARMREST 16-8, 24-E 551-006-00 24-8 551-007-00 32-8 551-008-00	ALLEN HEAD (HEX) SCREWS (4-40 X 1/4) 700-011-00	24-E EXPANSION CABLE 640-004-00
METER LENS 780-002-00	POWER SUPPLY POWER SWITCH 16A, 500-006-00	POWER SUPPLY FAN
METER BRIDGE MOUNTING KIT (080-030-00 - includes instructions and mounting hardware)	STAND FASTENER KIT no part # - includes 10 screws qty 4 8-32X1/4 machine qty 6 6-32X1/4 sheet	DC POWER CABLE 040-013-00
	END CAP SCREWS FRONT (10-32X1 1/4) 700-016-00 BACK (10-32X3/4) 700-015-00	LINE CORD 6' IEC 10A USA (110V), 640-001-00 EURO (230V), 640-002-00





EXTRUSION

- 32*8 551-004-00
- 24*8 551-003-00
- 16*8 551-002-00

YELLOW LED RECT.
304-008-00

GREEN LED RECT.
304-009-00

RED LED 304-001-00

LEFT MB ARM
550-060-00

RUBBER PLUG
760-020-00

RIBBON CABLE ASSY
040-027-00

SOURCE
BUTTON 760-033-00
SWITCH 500-003-00

RIGHT MB ARM
550-059-00

MORE STUFF

METER BRIDGE LENS

- 32*8 780-005-00
- 24*8 780-004-00
- 16*8 780-003-00

MB VU ANALOG PCB ASSY 055-022-00
VU METER BEZEL 760-031-00

MB LED PCB ASSY 055-023-00
MB INSTRUCTIONS 820-008-00

MB ARM SCREWS 701-001-00
METER BRIDGE MOUNTING KIT 080-030-00

REPLACEMENT VU LAMPS
304-017-00 (9V NON-FROSTED)
304-023-00(18V FROSTED)