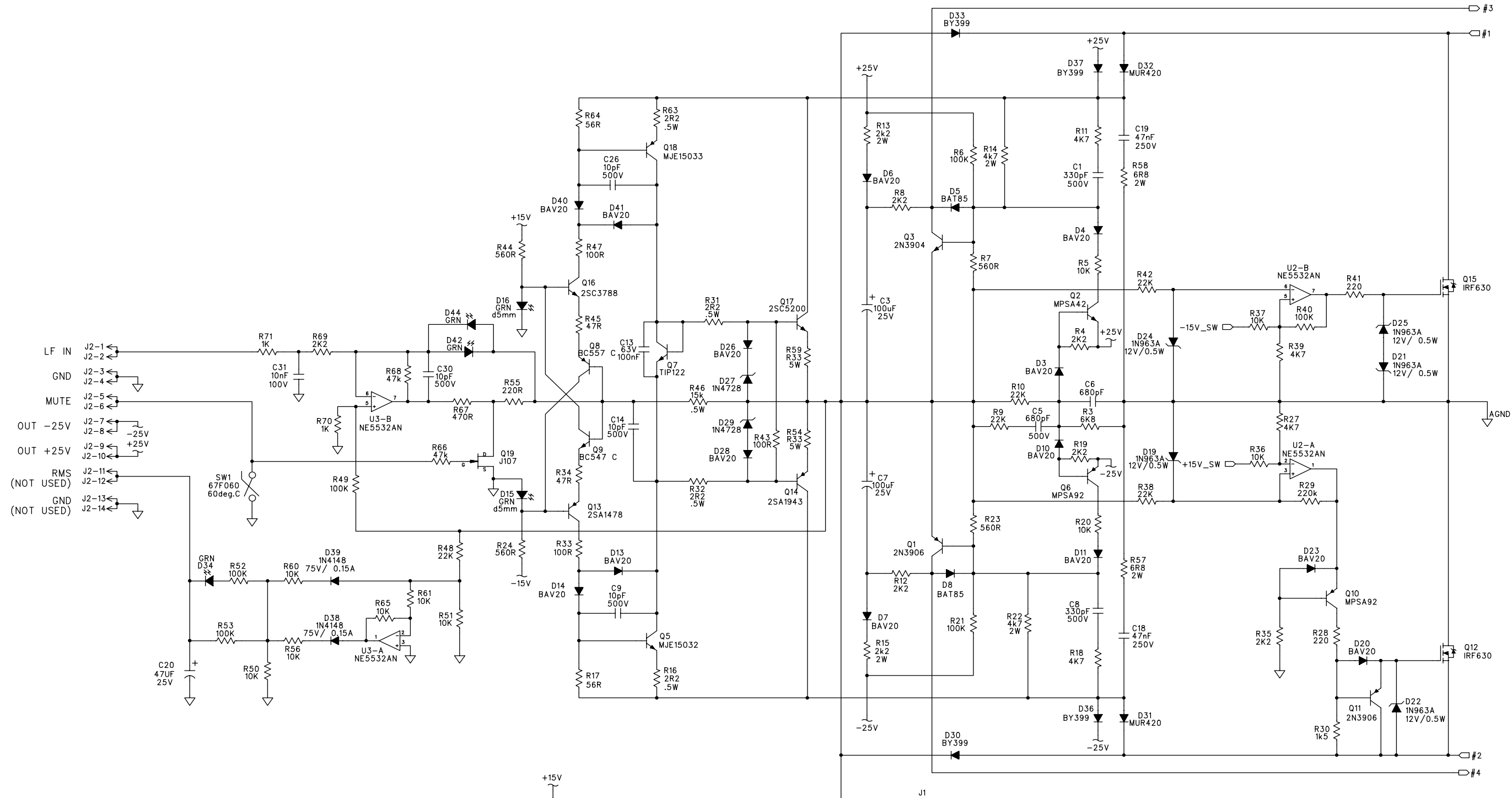


ECO#	REV:	DESCRIPTION	REV. BY:	APP. BY:	DATE
01		PROTOTYPE RELEASE 01	SOBEK		15.1.2001
02		PROTOTYPE RELEASE 02	SOBEK		26.2.2001
03		PRODUCTION RELEASE	SOBEK		4.4.2001



APPROVALS		DATE
DRAWN:	SOBEK	15.1.2001
CHECKED:		
NP ENG:		
MATERIAL:		
FINISH:		
DO NOT SCALE DRAWING		ISSUED:

MACKIE
Mackie Designs Inc. Woodinville, Wa.

SCHEMATIC, SRS1501

SIZE: A3	SCALE: NONE	DWG. NO. MN 042 130	REV. 03
DWG FILE: MN 042 130-03 label 03.sch		Label 03	SHEET 1 OF 2

DWG. NO.	MN 042 130	SHT	2	REV:	03	1
ECO#	REV:	DESCRIPTION	REV. BY:	APP. BY:	DATE	
	01	PROTOTYPE RELEASE 01	SOBEK		15.1.2001	
	02	PROTOTYPE RELEASE 02	SOBEK		26.2.2001	
	03	PRODUCTION RELEASE	SOBEK		4.4.2001	

D

C

B

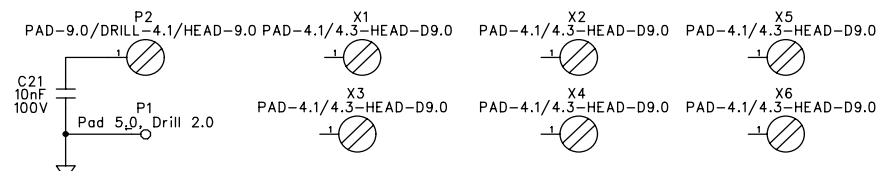
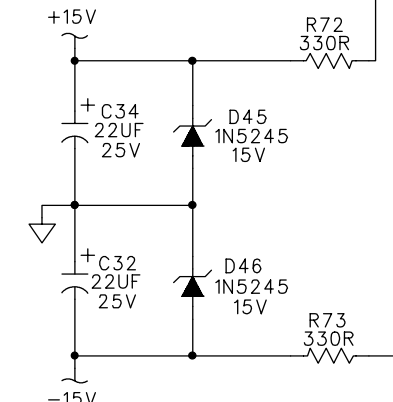
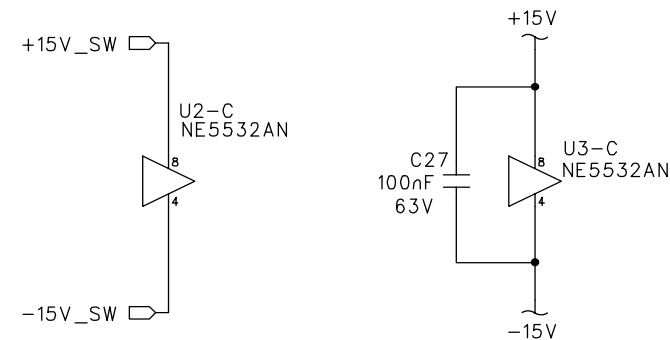
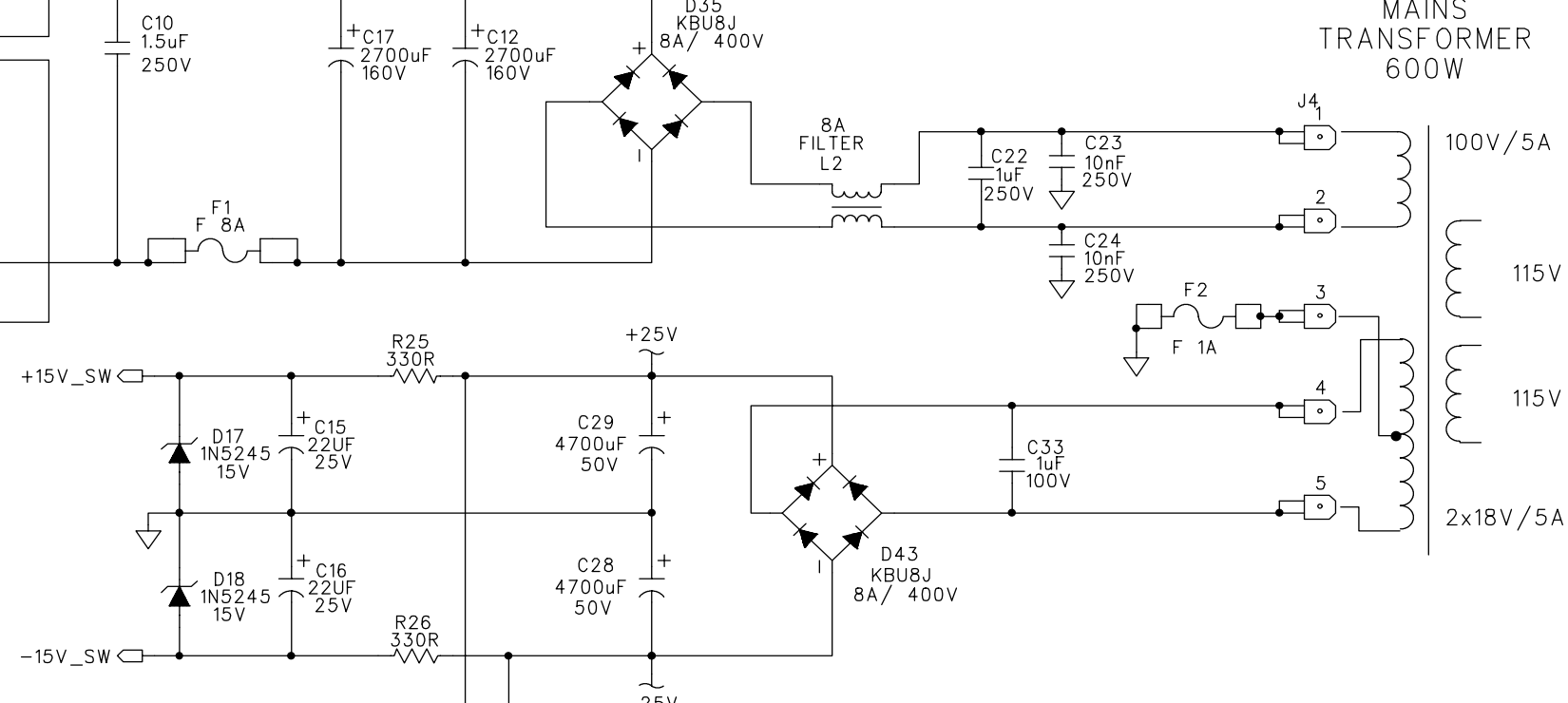
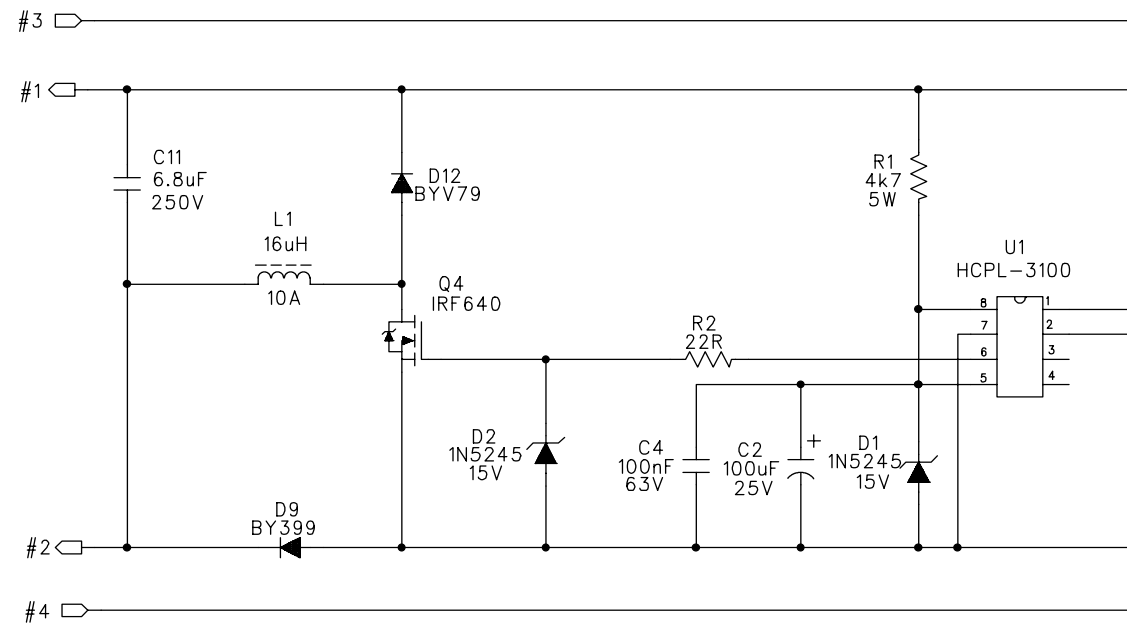
A

D

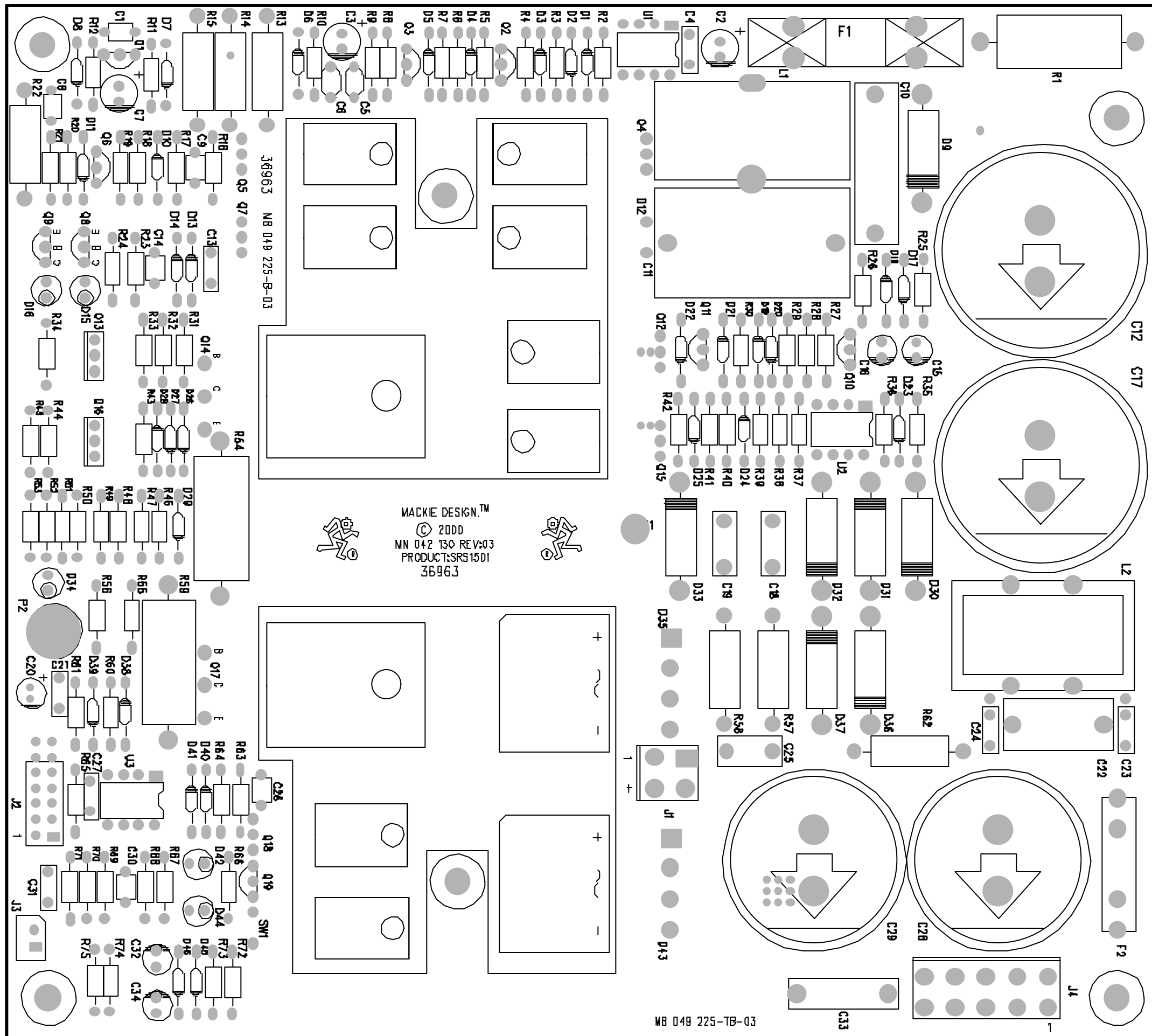
C

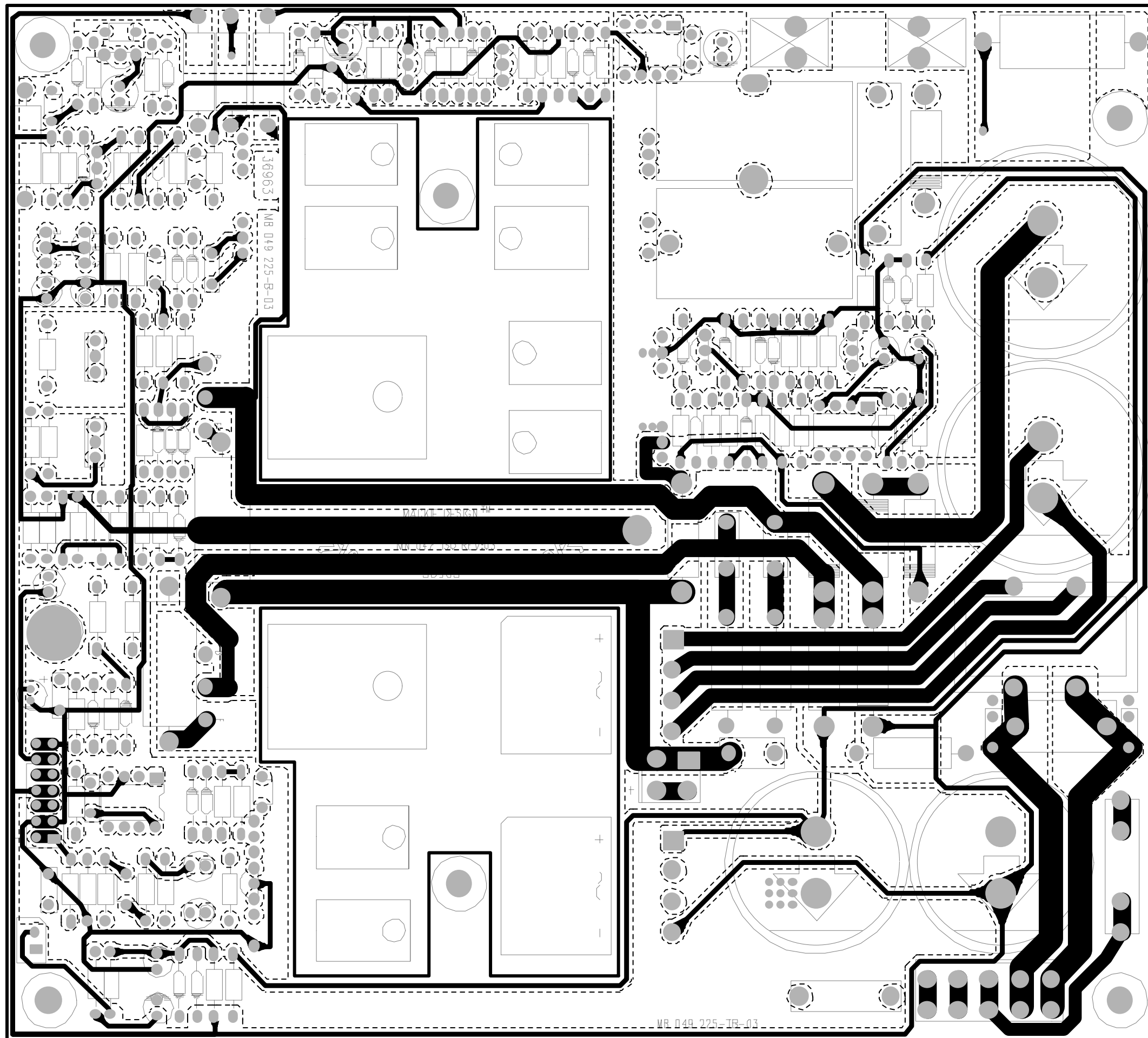
B

A

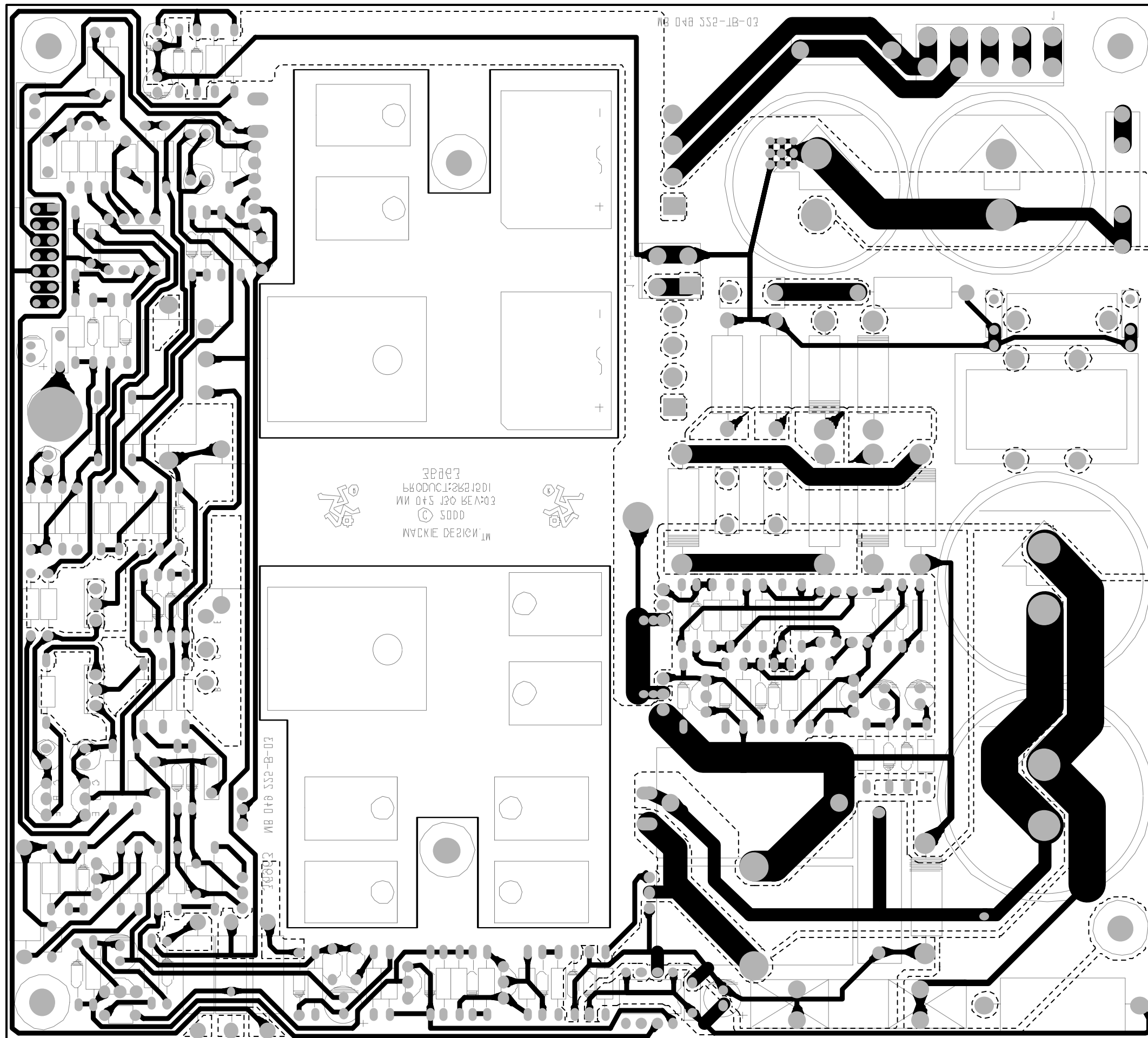


UNLESS OTHERWISE SPECIFIED DIMENSIONS ARE IN INCHES TOLERANCES ARE: FRACTIONS: DECIMALS: ANGLES: ±NA .XX ±.01 ±NA .XXX ±.005	APPROVALS	DATE	MACKIE Mackie Designs Inc. Woodinville, Wa.
	DRAWN: SOBEK	15.1.2001	
	CHECKED:		
	NP ENG:		
MATERIAL:	MATERIAL:		SCHEMATIC, SRS1501
SEE NOTES	MFG:		
FINISH:	MFG ENG:		
SEE NOTES	ISSUED:		
DO NOT SCALE DRAWING			SIZE SCALE: DWG. NO. REV. A3 NONE MN 042 130 03 DWG FILE: MN 042 130-03 label 03.sch Label 03 SHEET 2 OF 2

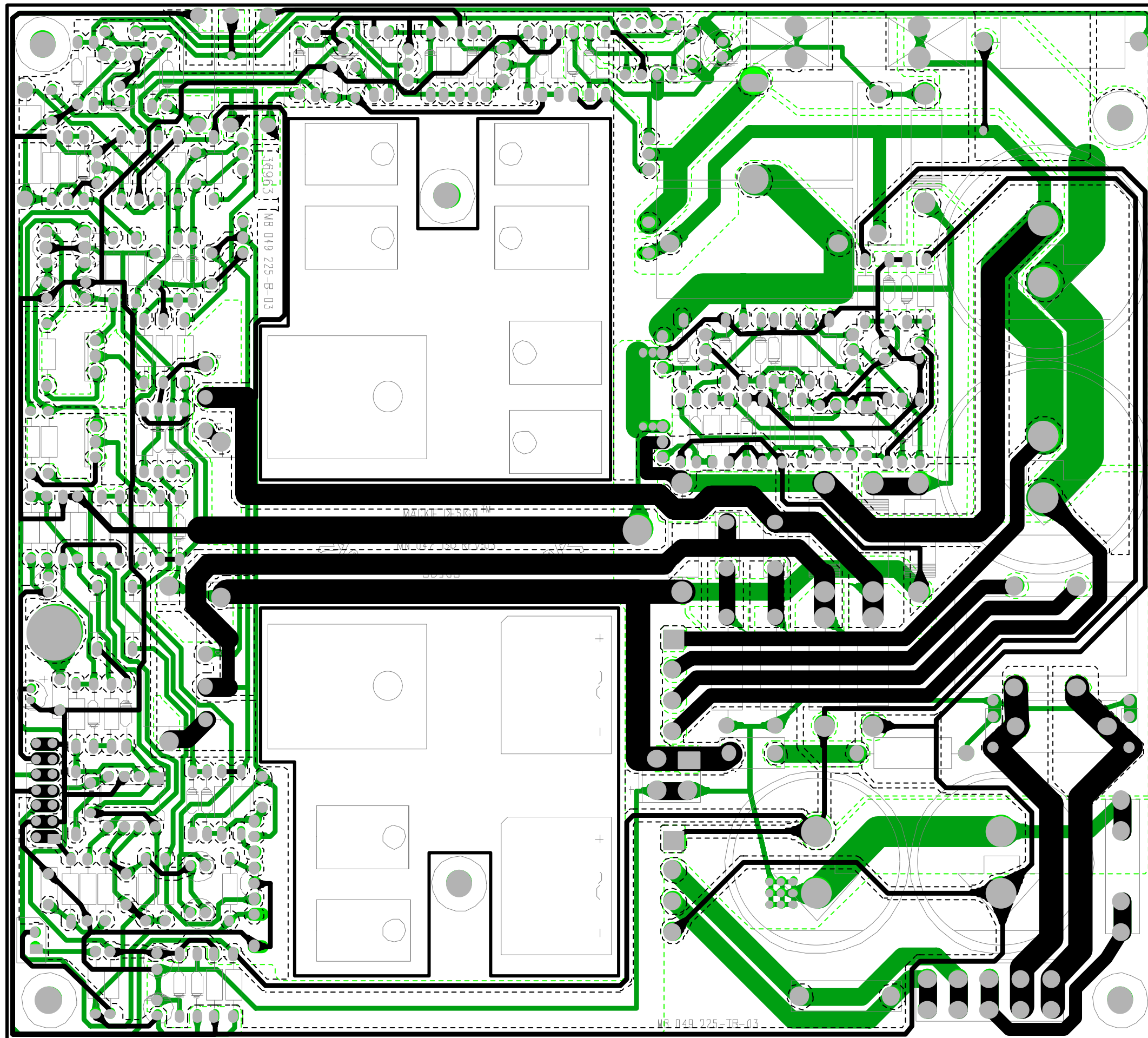




Top Surface (dotted lines are the copper pour boundary)



Bottom Surface (dotted lines are the copper pour boundary)



Top Surface has grey pads and black lines (dotted lines are the copper pour boundary)

Bottom Surface has green pads and lines (dotted lines are the copper pour boundary)