

Library 6

Neve 2

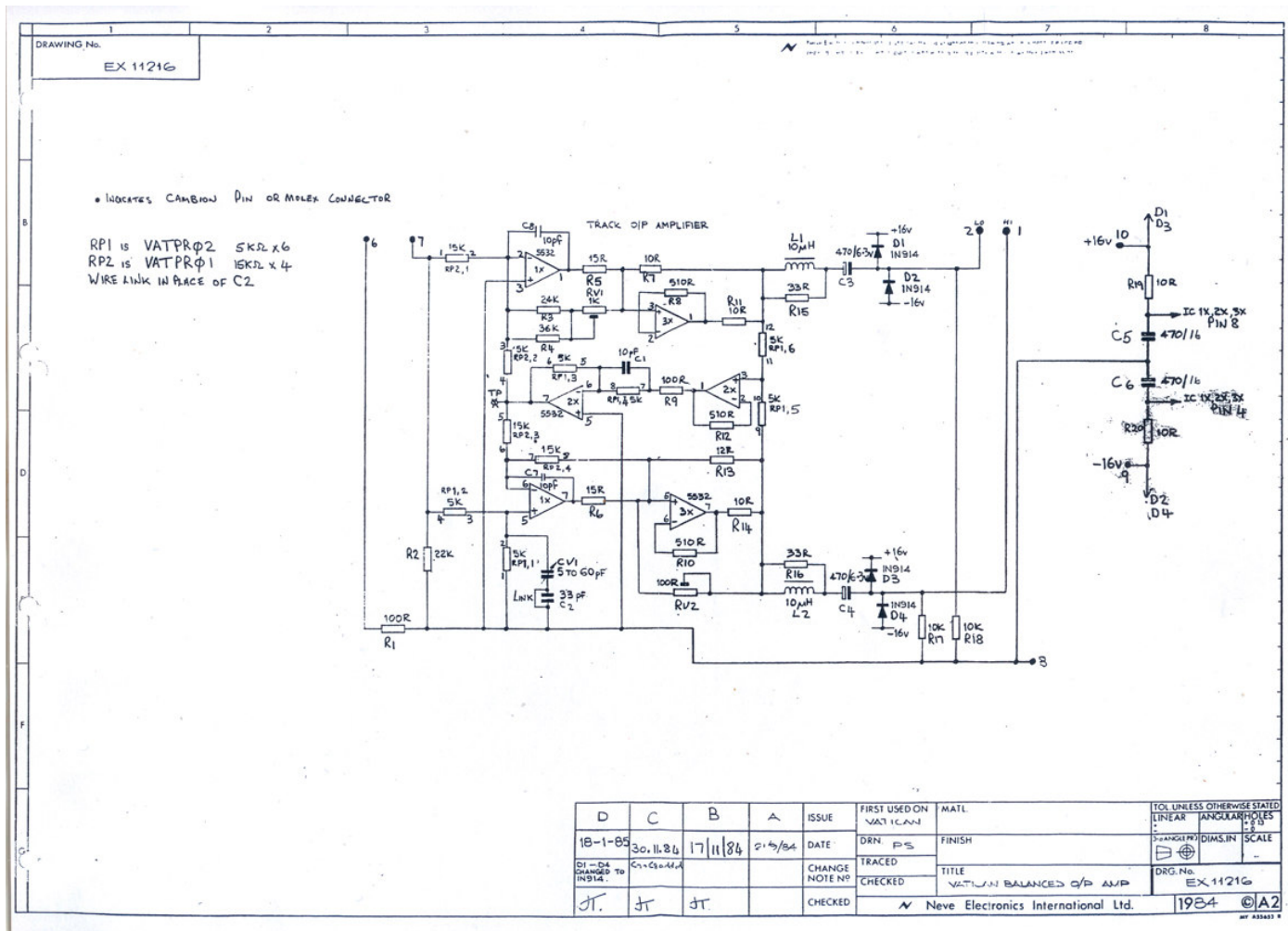


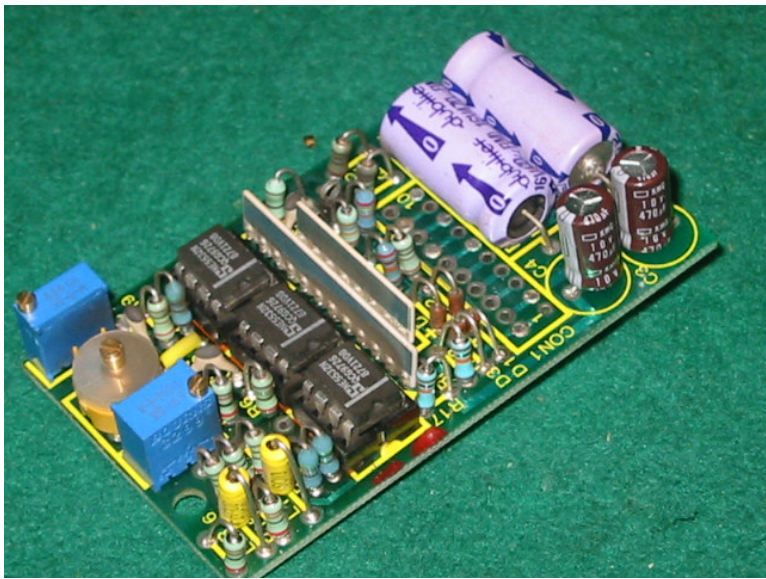
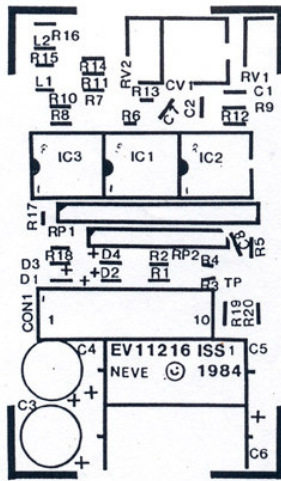
Menu

- [\[Page 1\]](#) [\[Page 2\]](#) [\[Page 3\]](#) [\[Page 4\]](#) [\[Page 5\]](#)
- [\[Page 7\]](#) [\[Page 8\]](#) [\[Page 9\]](#) [\[Page 10\]](#) [\[Page 11\]](#)
- [\[Page 12\]](#) [\[Page 13\]](#) [\[Page 14\]](#) [\[Page 15\]](#) [\[Page 16\]](#)

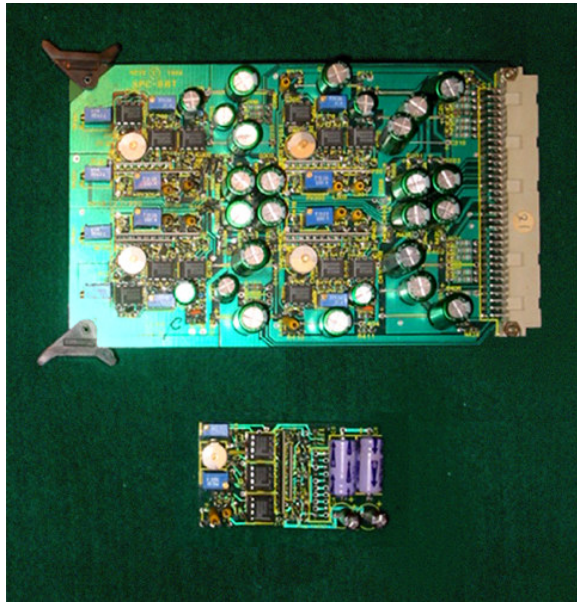
[\[Home\]](#)

NEVE V serie Balance out

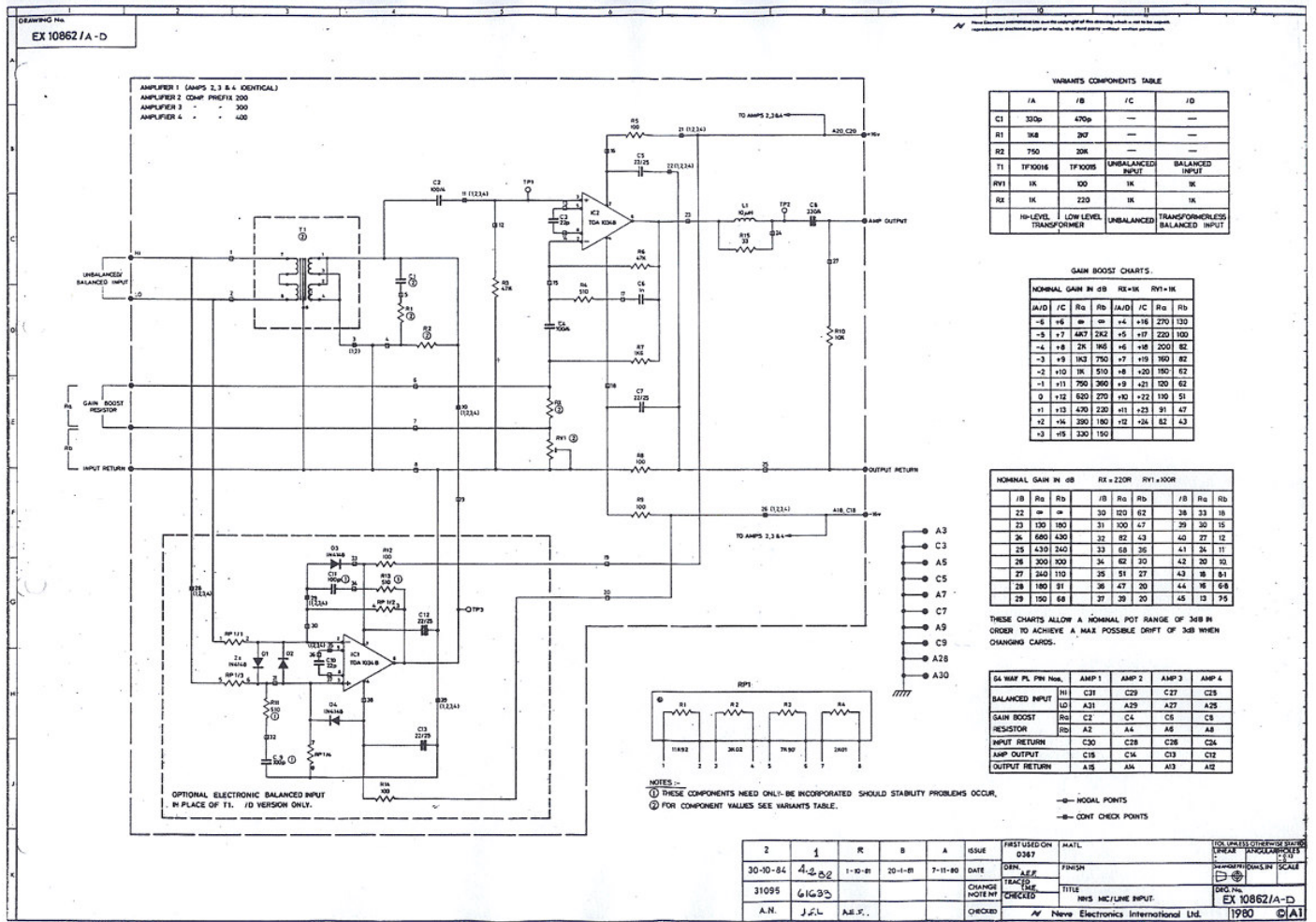




This is an electronic balance master out card used for V series central facilities.



NEVE V serise MIC/LINE INPUT



Neve BA-283

Neve BA283 preamp section variations

Original Neve Pre Amp Component Variations to this circuit

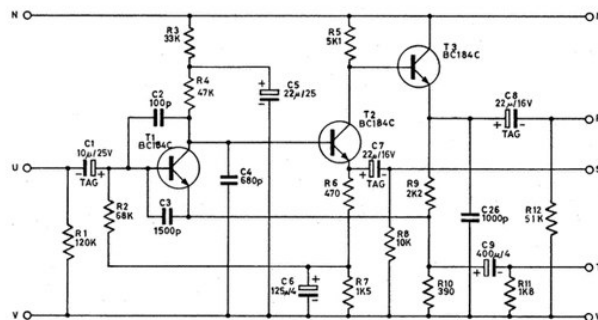
- C1 = 6.8uF or 10uF or 22uF Tag Tantalum Capacitor
- C2 = 100pF Polystyrene Capacitor
- C3 = 1000pF or 1200pF or 1500pF Polystyrene Capacitor
- C4 = 680pF Polystyrene Capacitor
- C5 = 22uF 25v to 63v Electro Capacitor
- C6 = 125uF to 150uF 4v Electro Capacitor
- C7 = 22uF 16v Tag Tantalum Capacitor
- C8 = 22uF 16v Tag Tantalum Capacitor
- C9 = 400uF 4v Electro Capacitor
- C26 = 1000pF Polystyrene Capacitor
- T1 = BC109 or BC184C picked for gain higher than 600 to minimise input noise
- (BC109 = BC549C)
- T2 = BC107 or BC184C (BC107 = BC547)
- T3 = BC107 or BC184C (BC107 = BC547)

Neve BA283 Output Stage section

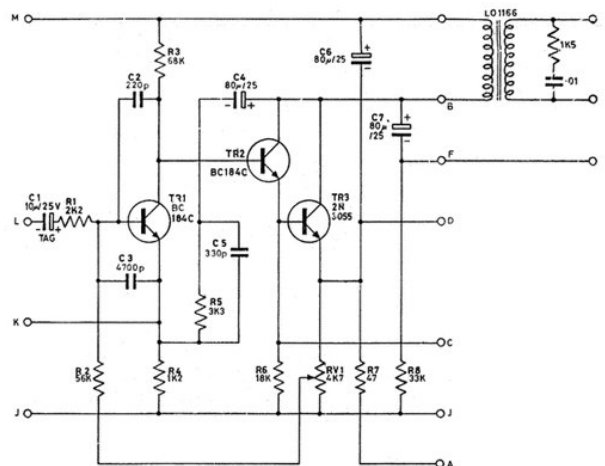
Original Neve Output Component Variations to this circuit

- C1 = 10uF or 22uF Tag Tantalum Capacitor
- C2 = 220pF Polystyrene Capacitor
- C3 = 4700pF Polystyrene Capacitor
- C4 = 80uF or 100uF 25v Electro Capacitor
- C5 = 330pF Polystyrene Capacitor
- C6 = 80uF or 100uF 25v Electro Capacitor
- C7 = 80uF or 100uF 25v Electro Capacitor
- T1 = BC109 or BC184C picked for gain higher than 600 to minimise input noise
- (BC109 = BC549C)
- T2 = BC107 or BC184C (BC107 = BC547)
- T3 = 2N3055

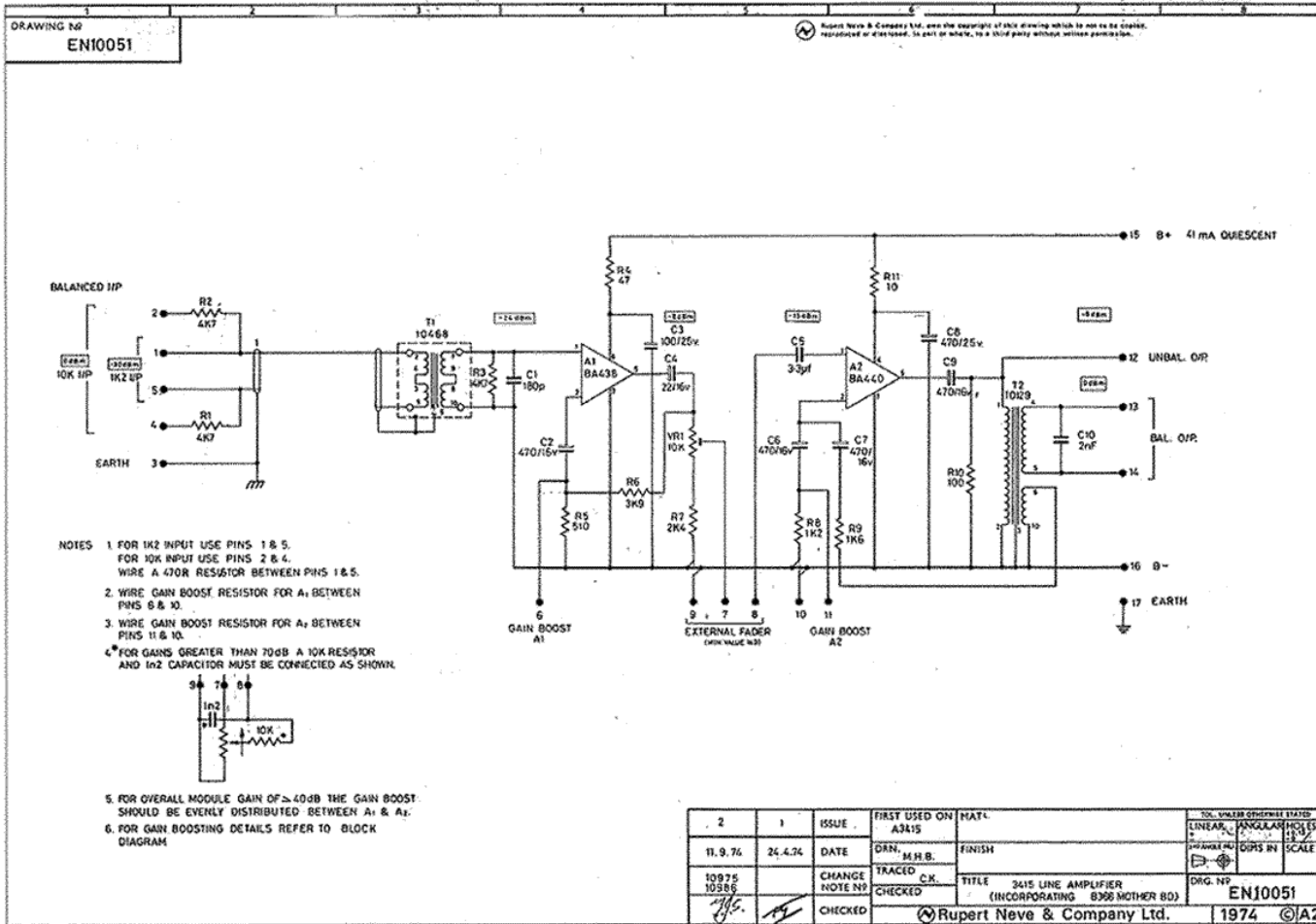
Neve BA-283-Preamp



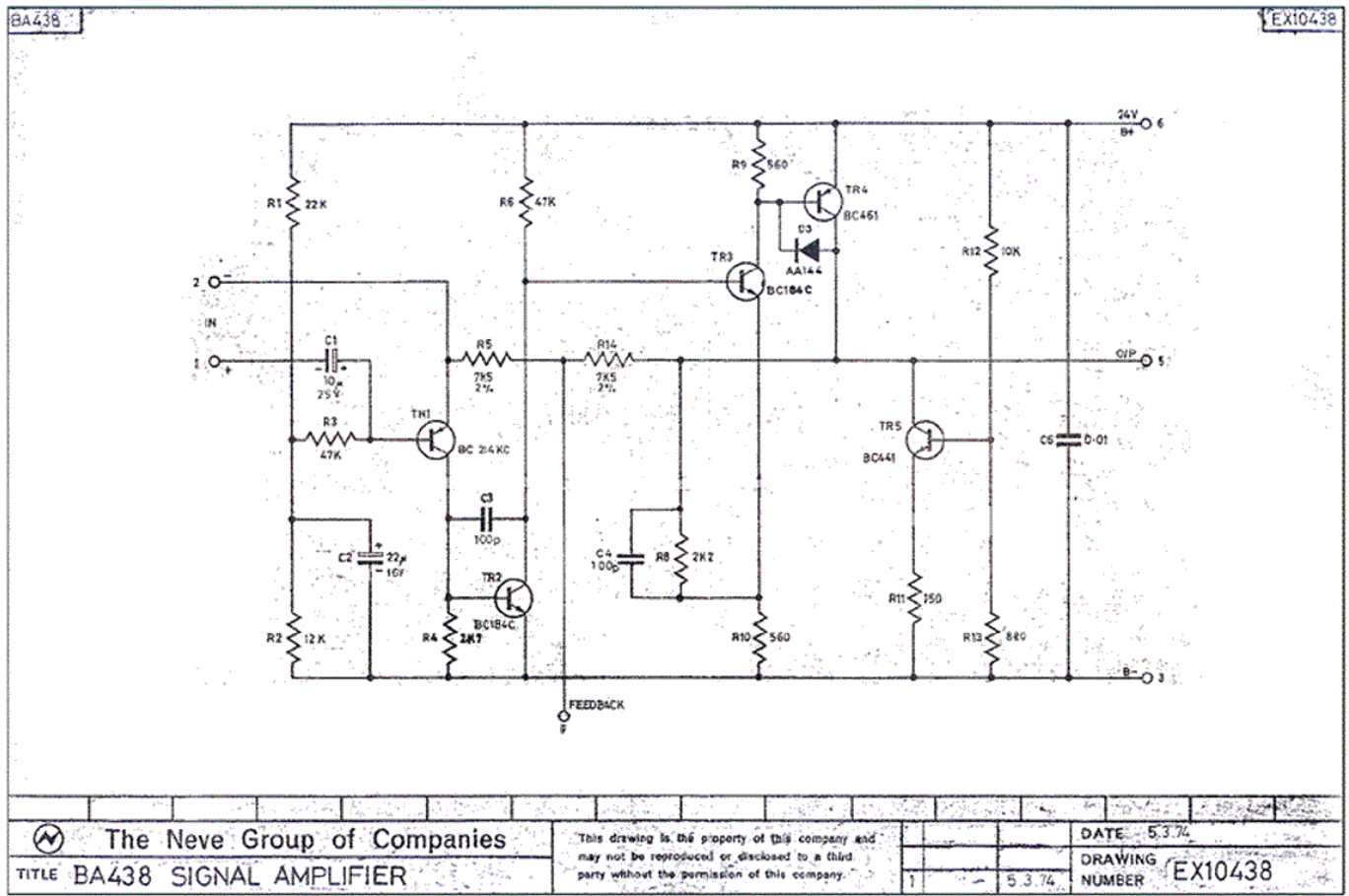
Neve BA-283-Output



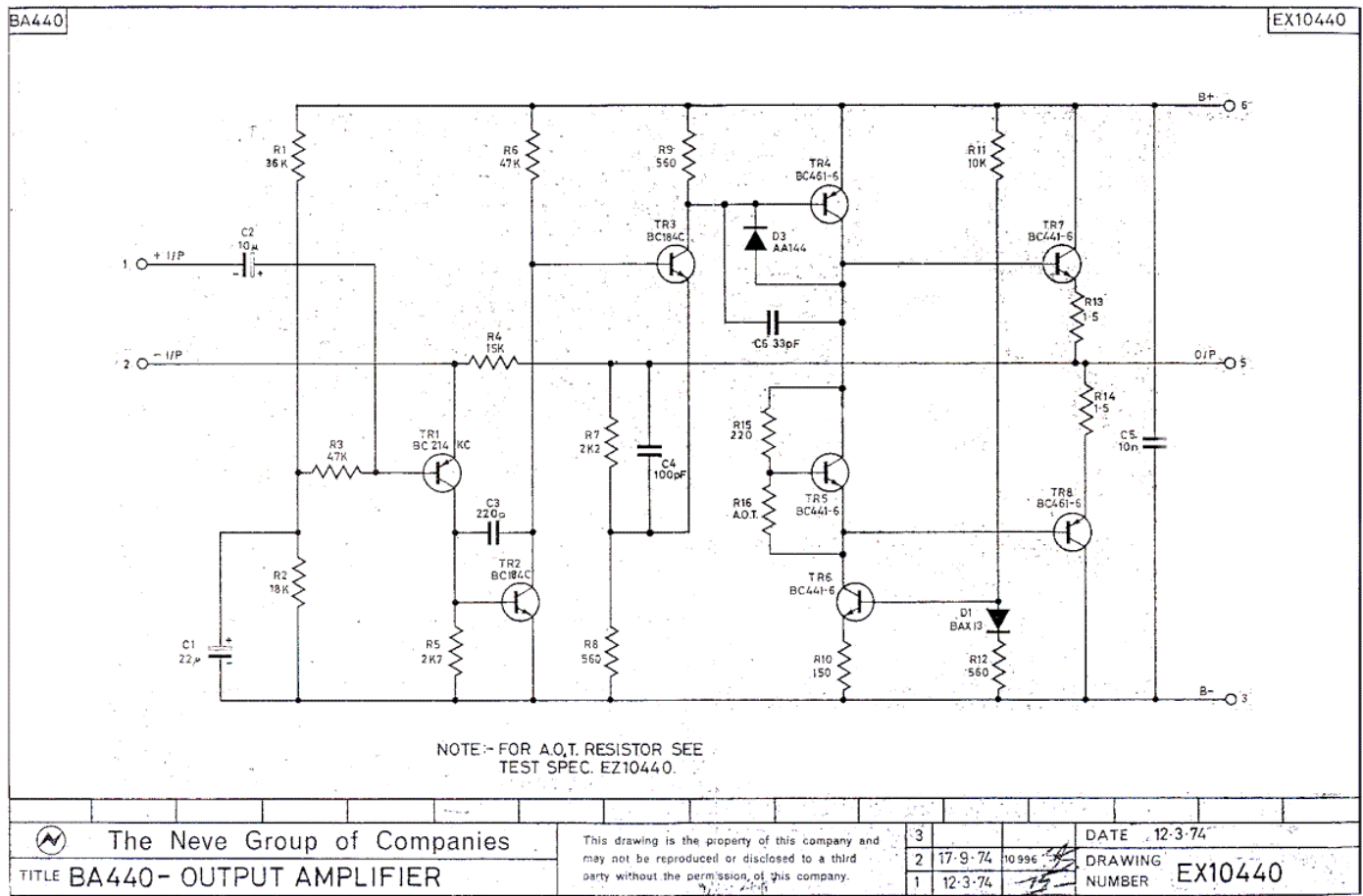
OLD NEVE 3415 LINE AMPLIFIER



OLD NEVE BA438 SIGNAL AMPLIFIER



OLD NEVE BA440 OUTPUT AMPLIFIER



Menu

- [\[Page 1\]](#)
- [\[Page 2\]](#)
- [\[Page 3\]](#)
- [\[Page 4\]](#)
- [\[Page 5\]](#)
- [\[Page 7\]](#)
- [\[Page 8\]](#)
- [\[Page 9\]](#)
- [\[Page 10\]](#)
- [\[Page 11\]](#)
- [\[Page 12\]](#)
- [\[Page 13\]](#)
- [\[Page 14\]](#)
- [\[Page 15\]](#)
- [\[Page 16\]](#)

[Dave's] [Product]
[My Memories]
[Circuit Data]
[Links] [Home]
[Top Page]