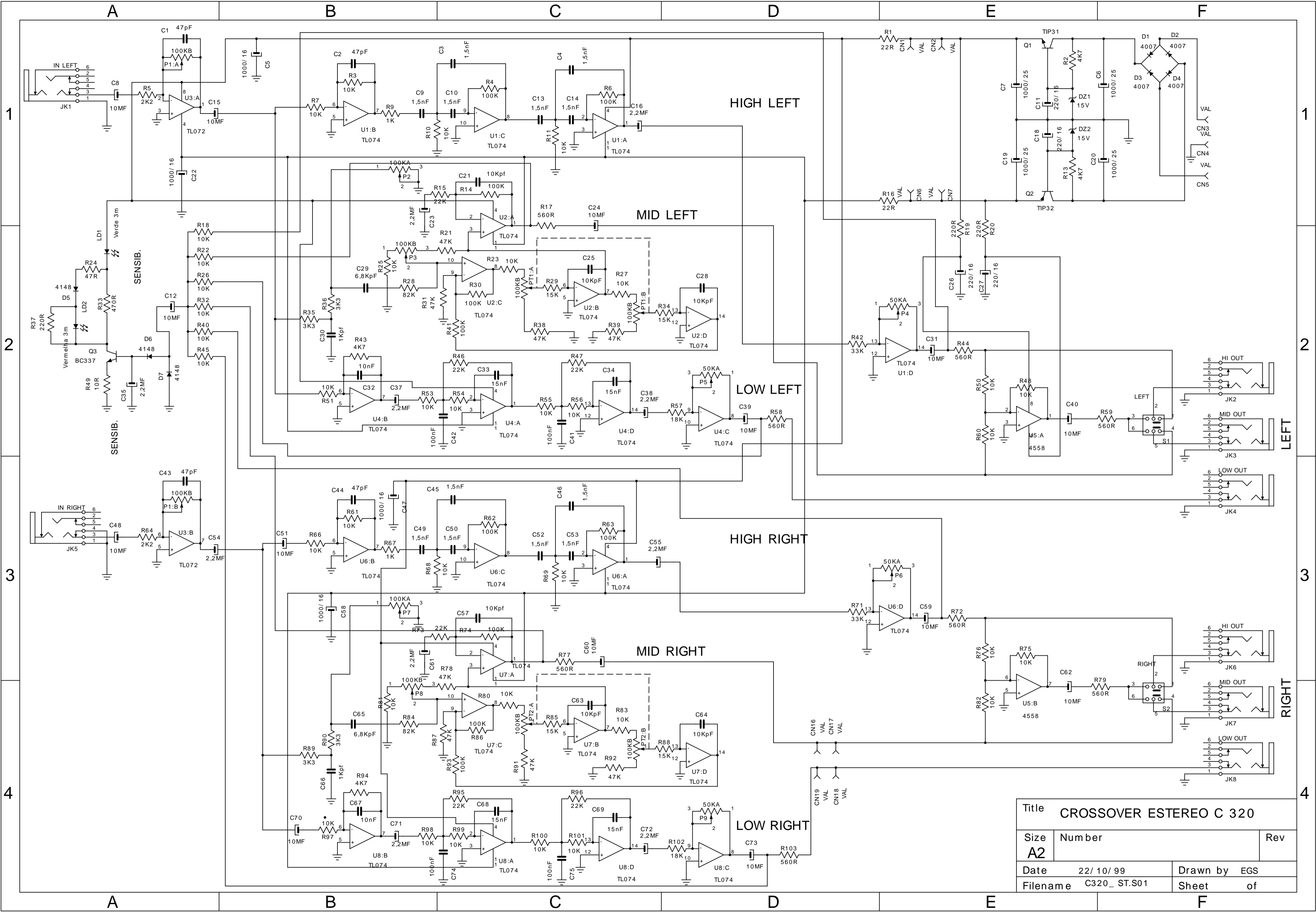
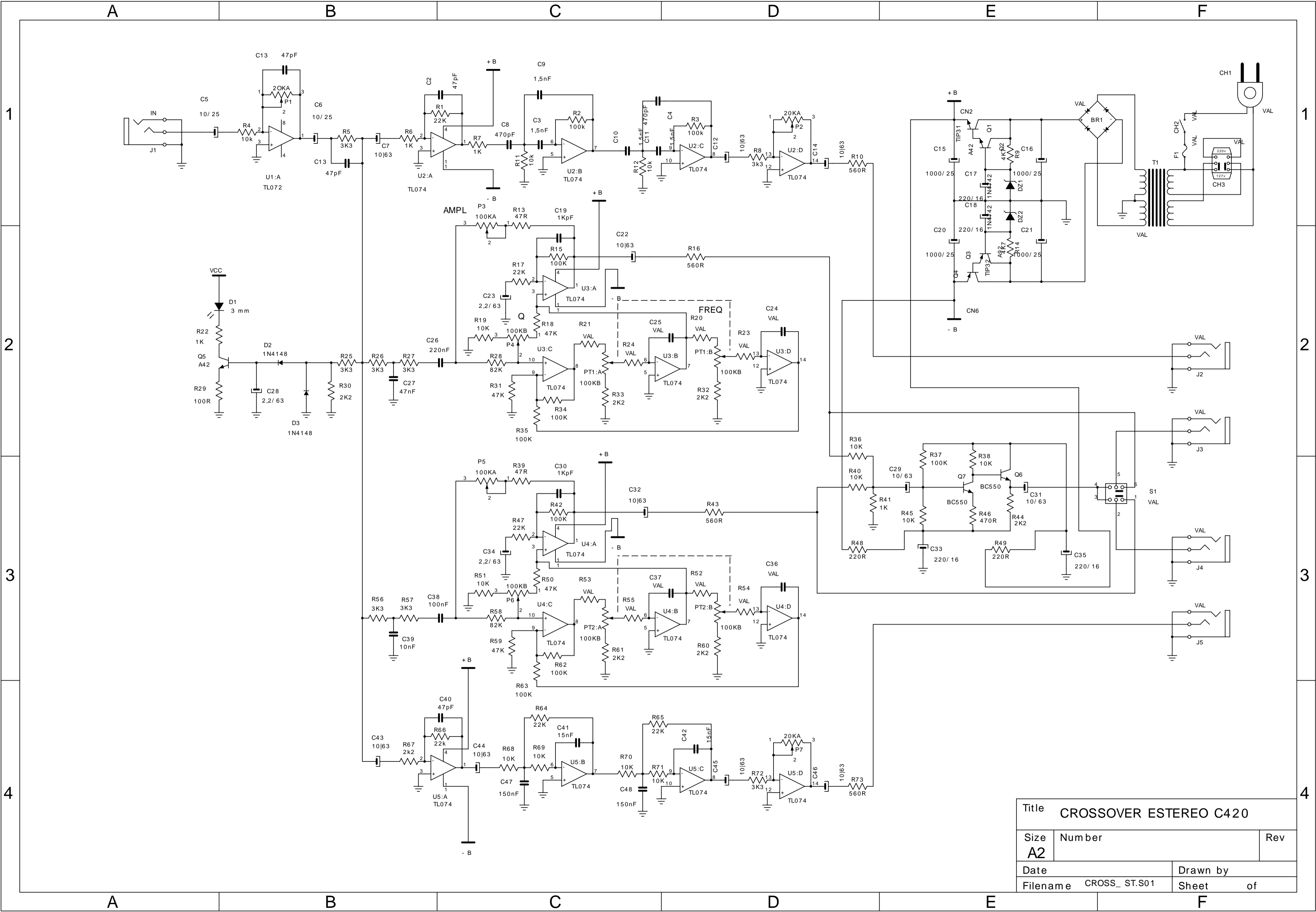


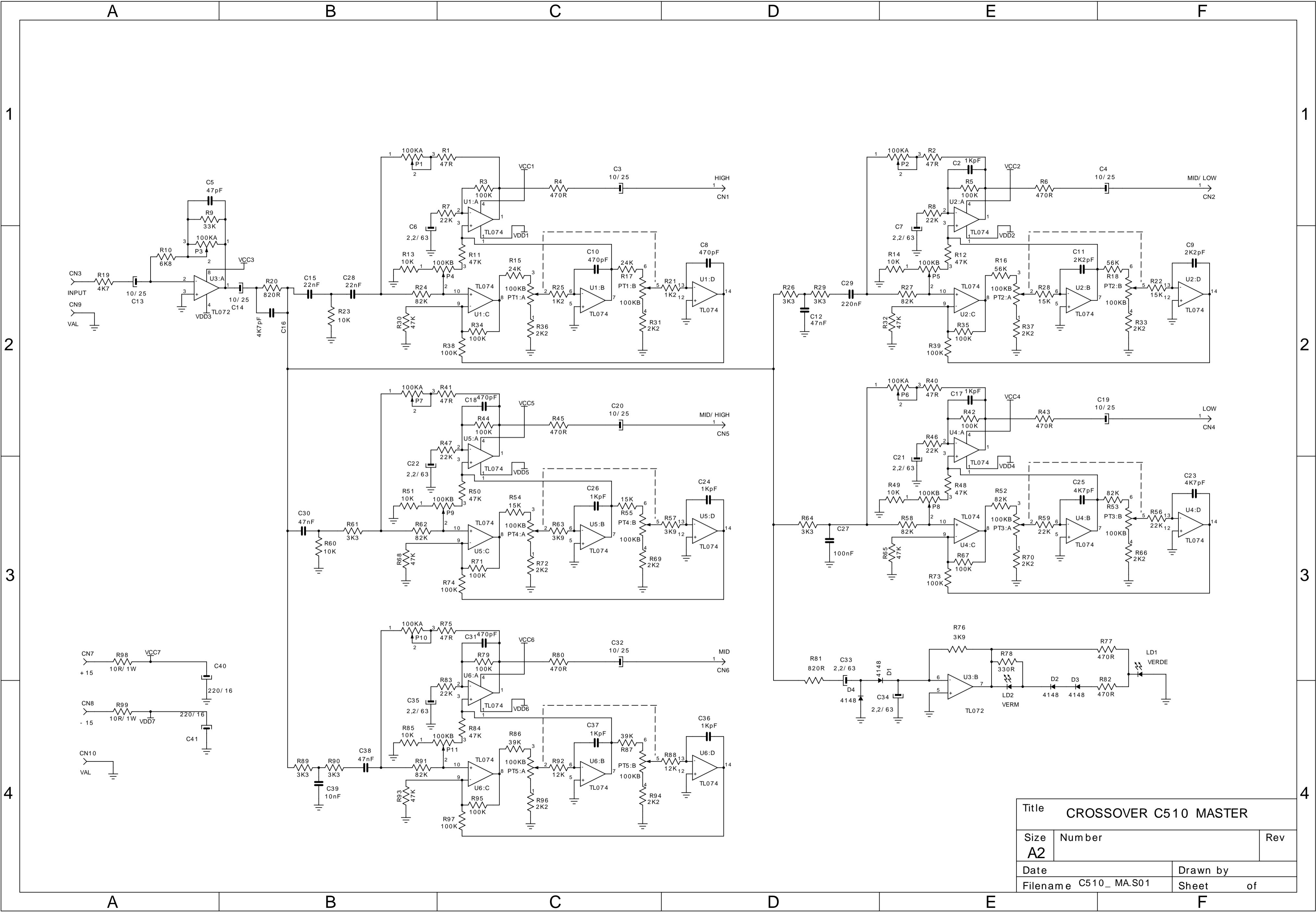
 INDUSTRIA E COMERCIO LTDA.		
Title MODULO DE POTENCIA MOVE'L		
Size A2	Number	Rev 2
Date 23/ 02/ 98	Drawn by	
Filename AM_ MOVE5.S01	Sheet 1 of 1	



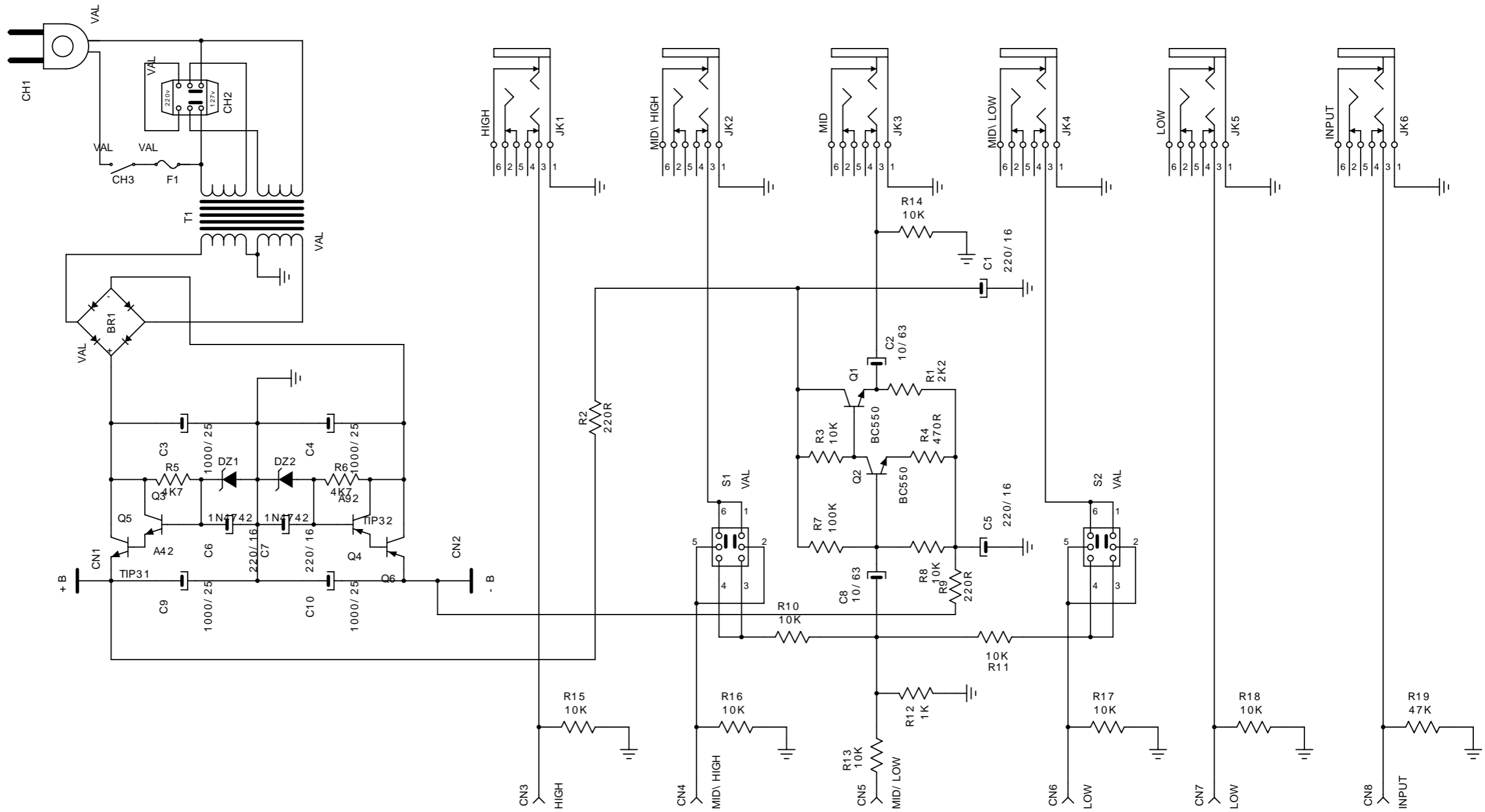
Title			CROSSOVER ESTEREO C 320		
Size	Number				Rev
A2					
Date	22/ 10/ 99		Drawn by		EGS
Filename	C320_ ST.S01		Sheet		of



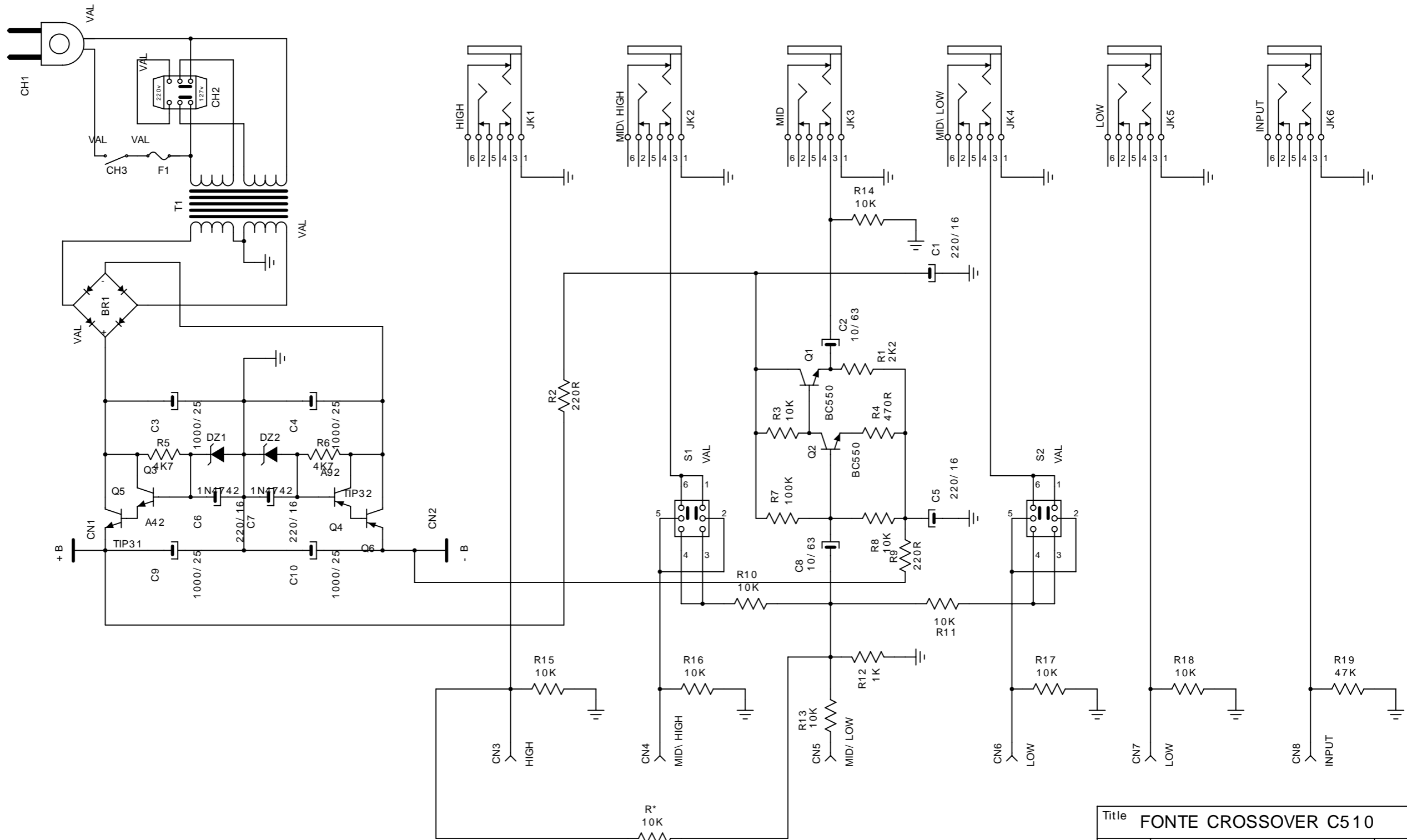
Title			CROSSOVER ESTEREO C420		
Size	Number				Rev
A2					
Date			Drawn by		
Filename	CROSS_ST.S01		Sheet		of



Title			CROSSOVER C510 MASTER		
Size	Number				Rev
A2					
Date			Drawn by		
Filename	C510_ MA.S01		Sheet		of

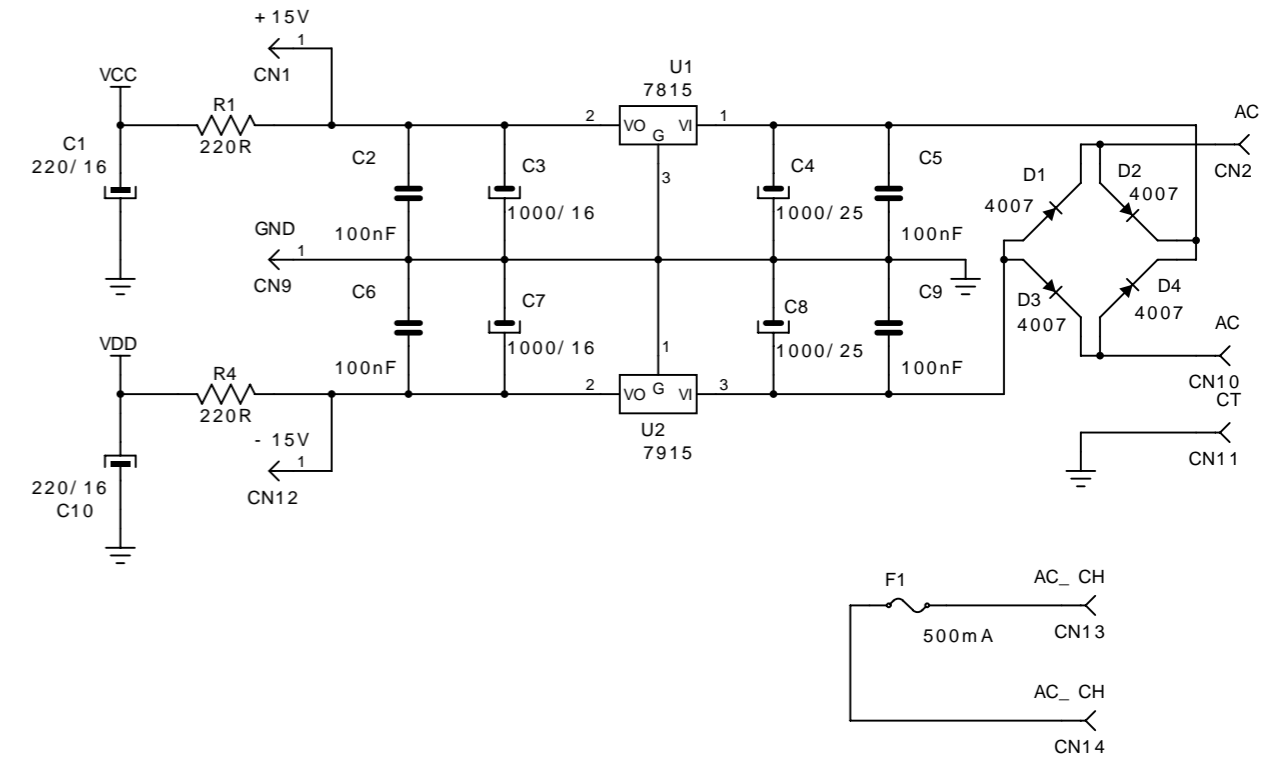
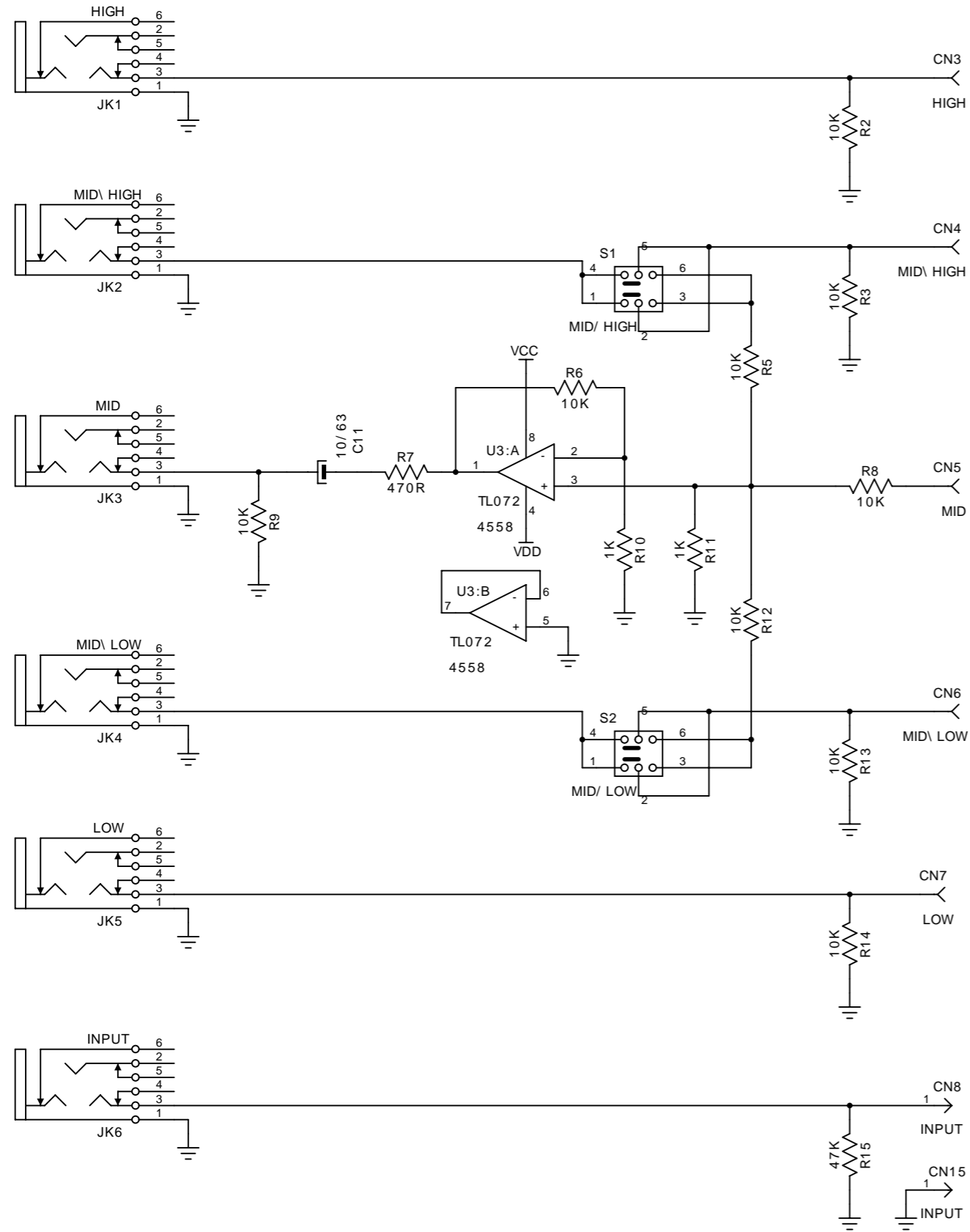


Title			FONTE CROSSOVER C510		
Size	Number				Rev
A3					
Date			Drawn by		
Filename	C510_FO.S01		Sheet		of

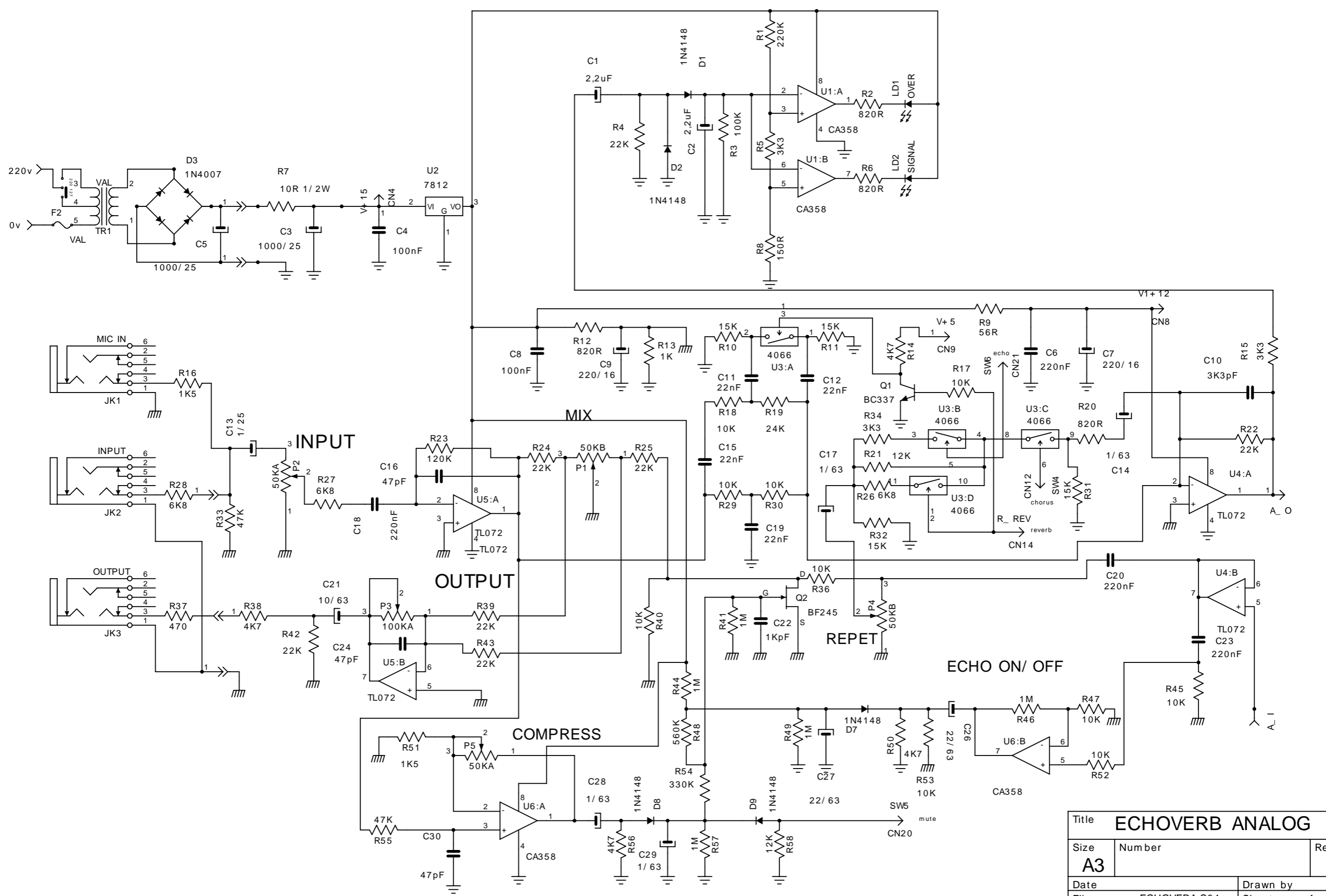


incluir este resistor para unir medio/agudo com agudo

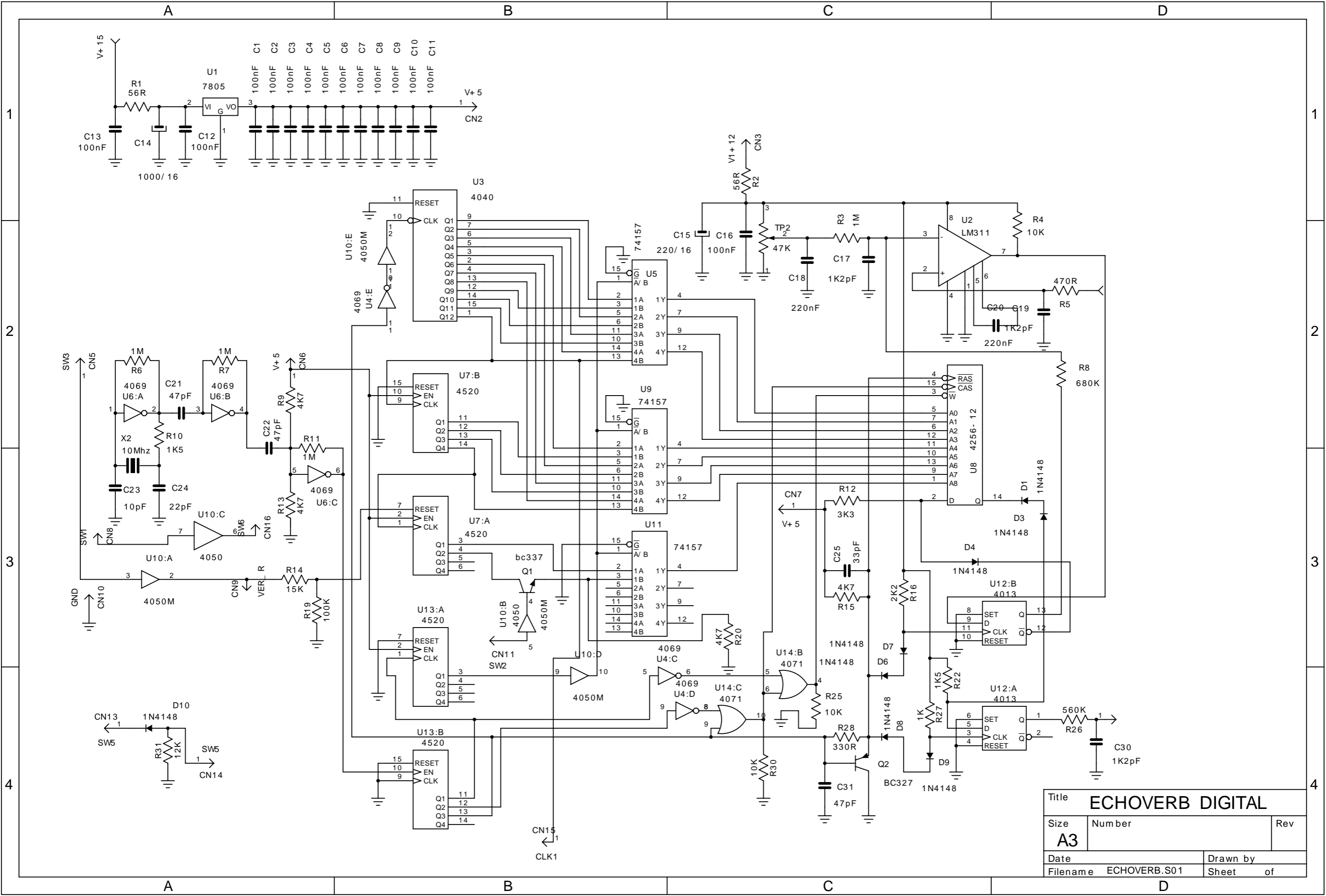
Title FONTE CROSSOVER C510		
Size A3	Number	Rev
Date	Drawn by	
Filename C510_FO.S01	Sheet	of



Title			FONTE CROSSOVER C510 v2		
Size	Number		Rev		
A3					
Date	Drawn by				
Filename	C510_FO2.S01		Sheet		of



Title ECHOVERB ANALOG		
Size A3	Number	Rev
Date	Drawn by	
Filename ECHOVERA.S01	Sheet	of



Title ECHOVERB DIGITAL		
Size A3	Number	Rev
Date	Drawn by	
Filename ECHOVERB.S01	Sheet of	

A

B

C

D

1

1

2

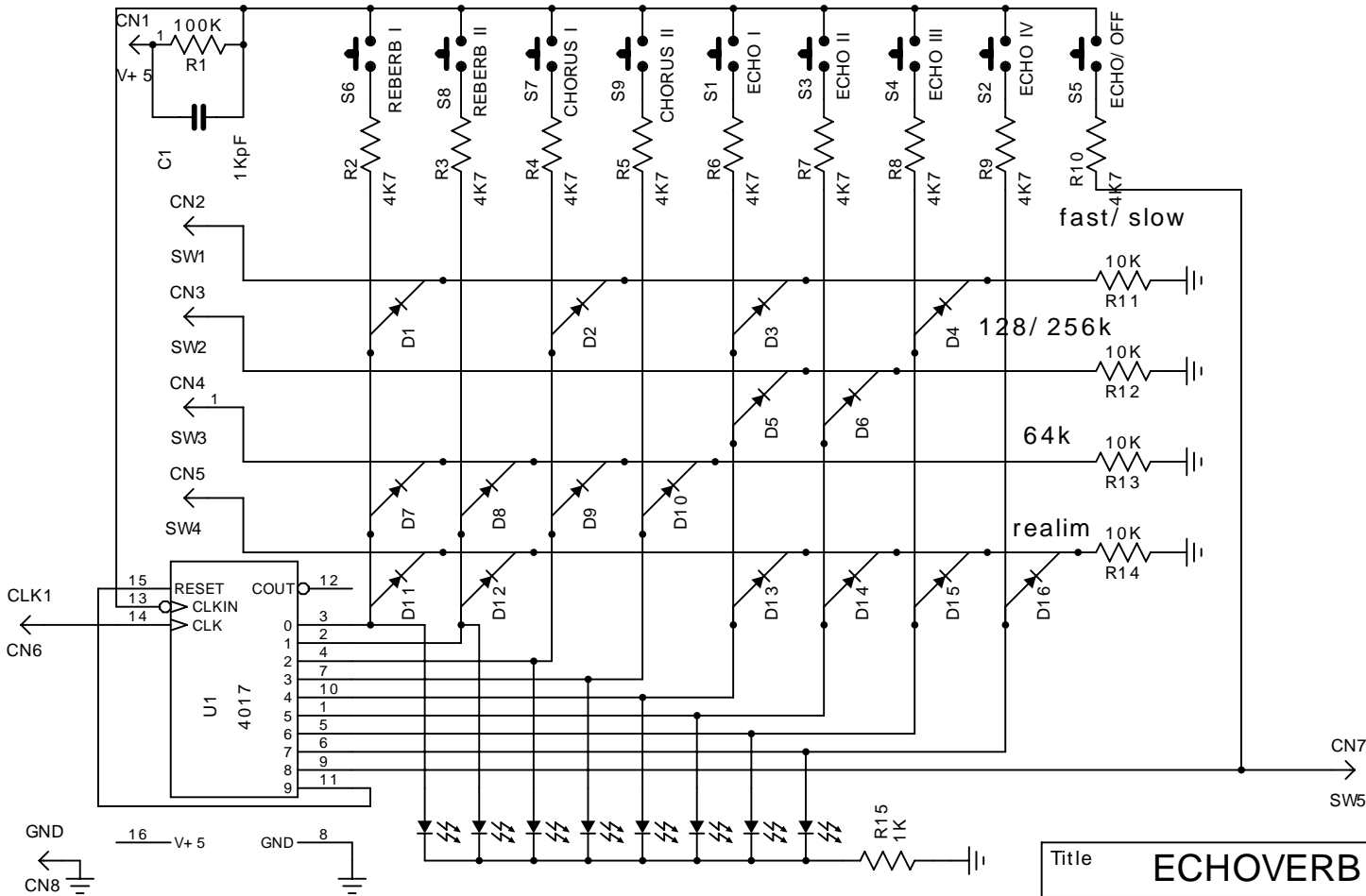
2

3

3

4

4



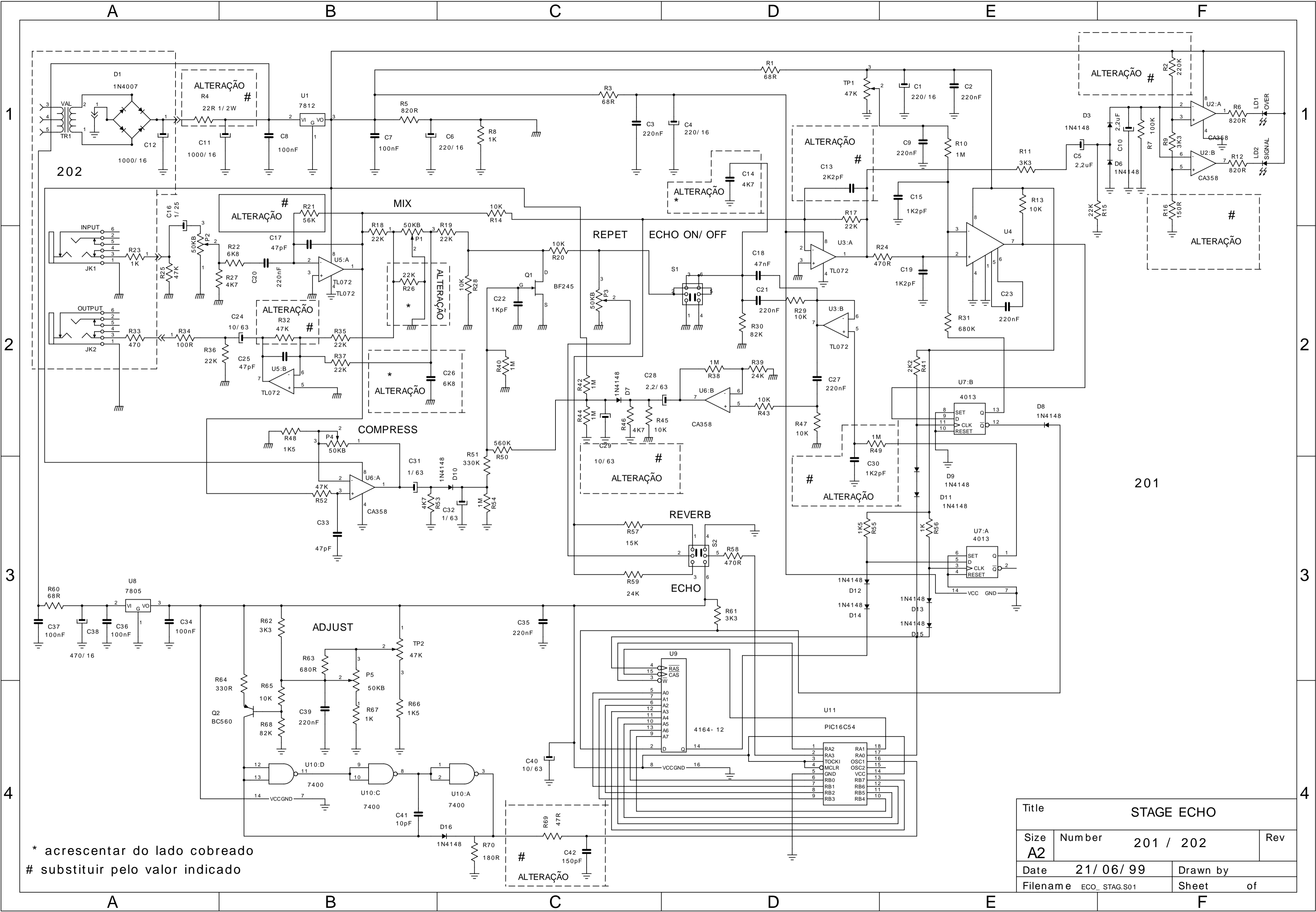
Title			ECHOVERB TECLA		
Size	Number		Rev		
A4					
Date	Drawn by				
Filename	ECHOVERT.S01	Sheet	of		

A

B

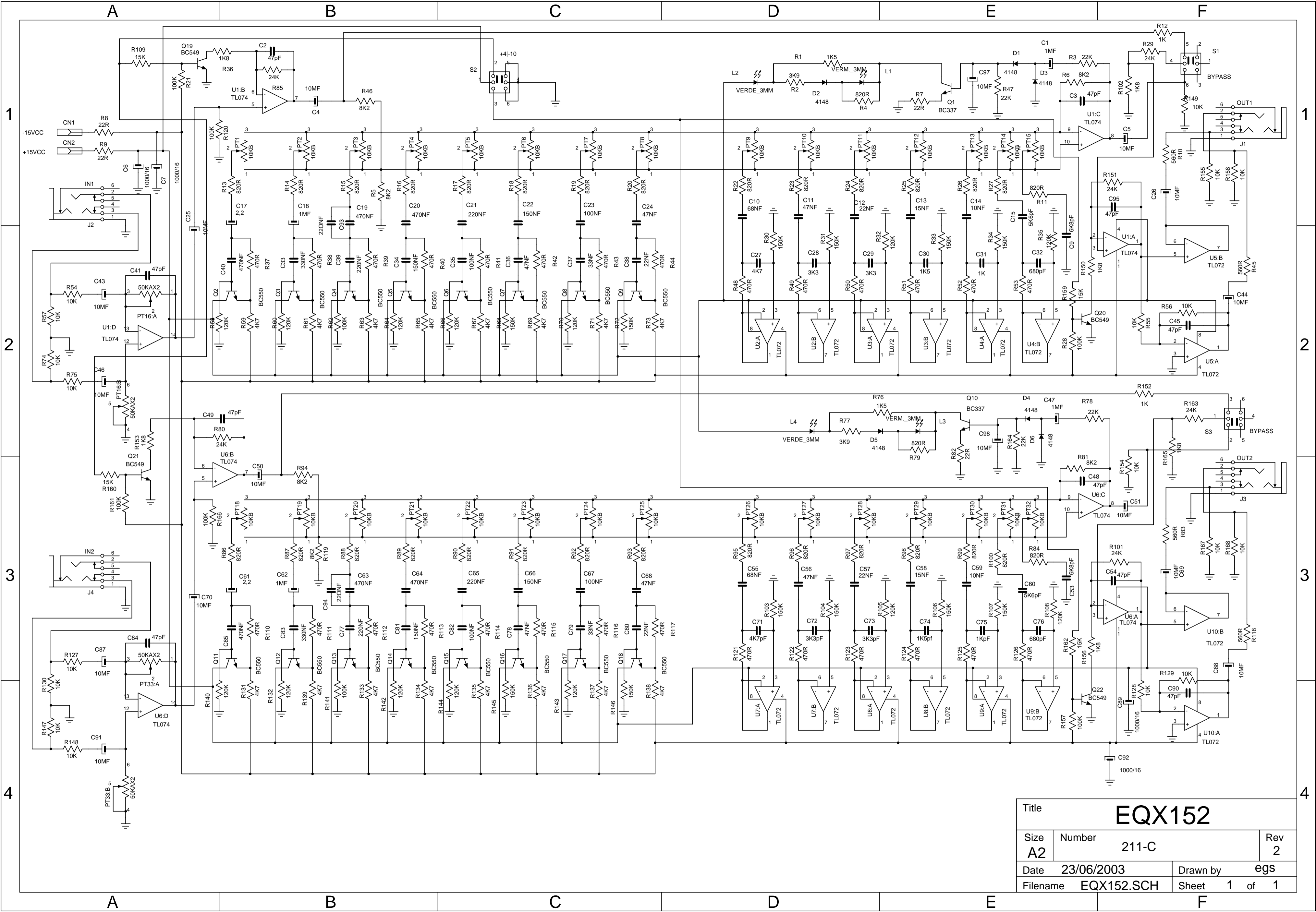
C

D

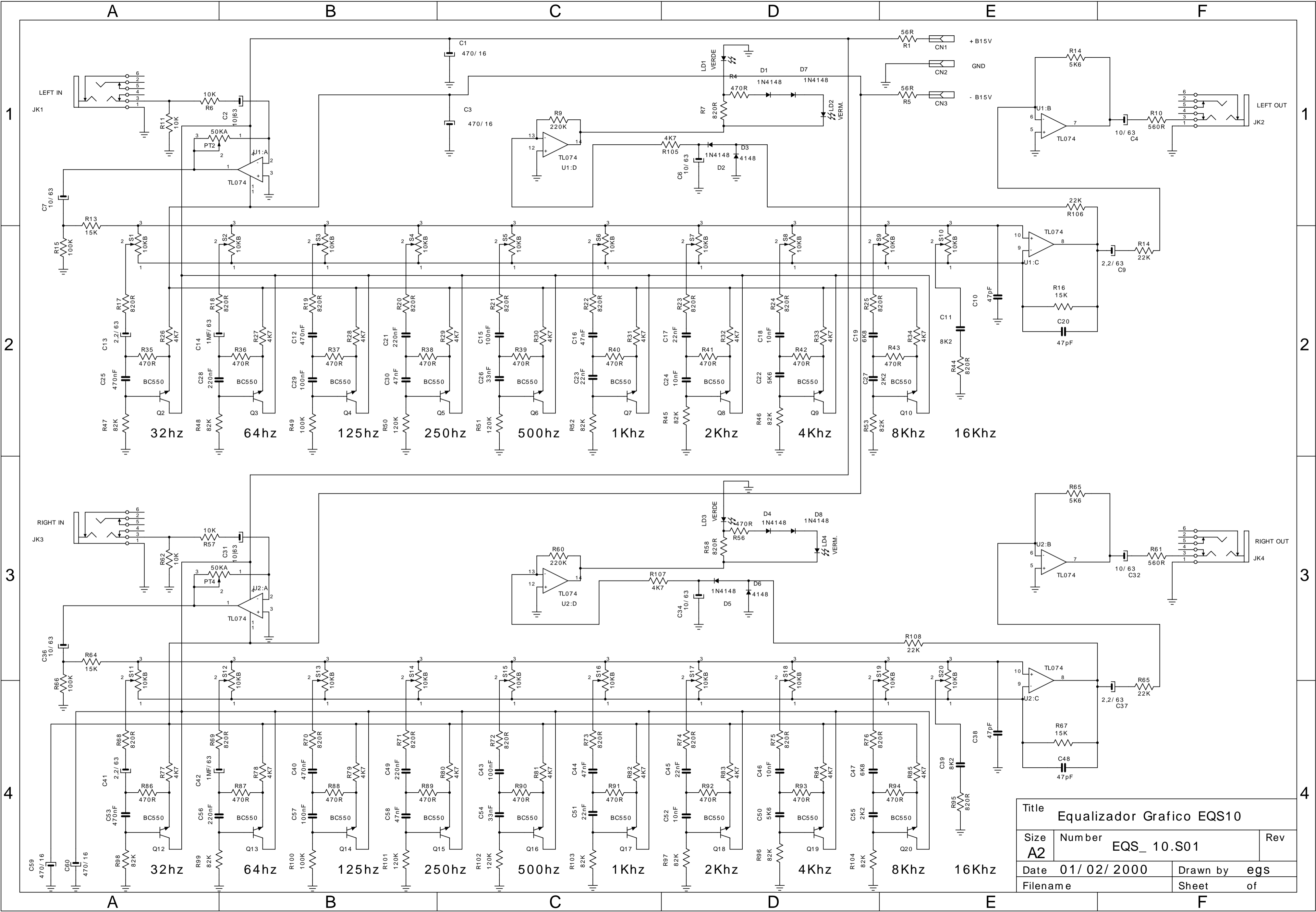


* acrescentar do lado cobreado
 # substituir pelo valor indicado

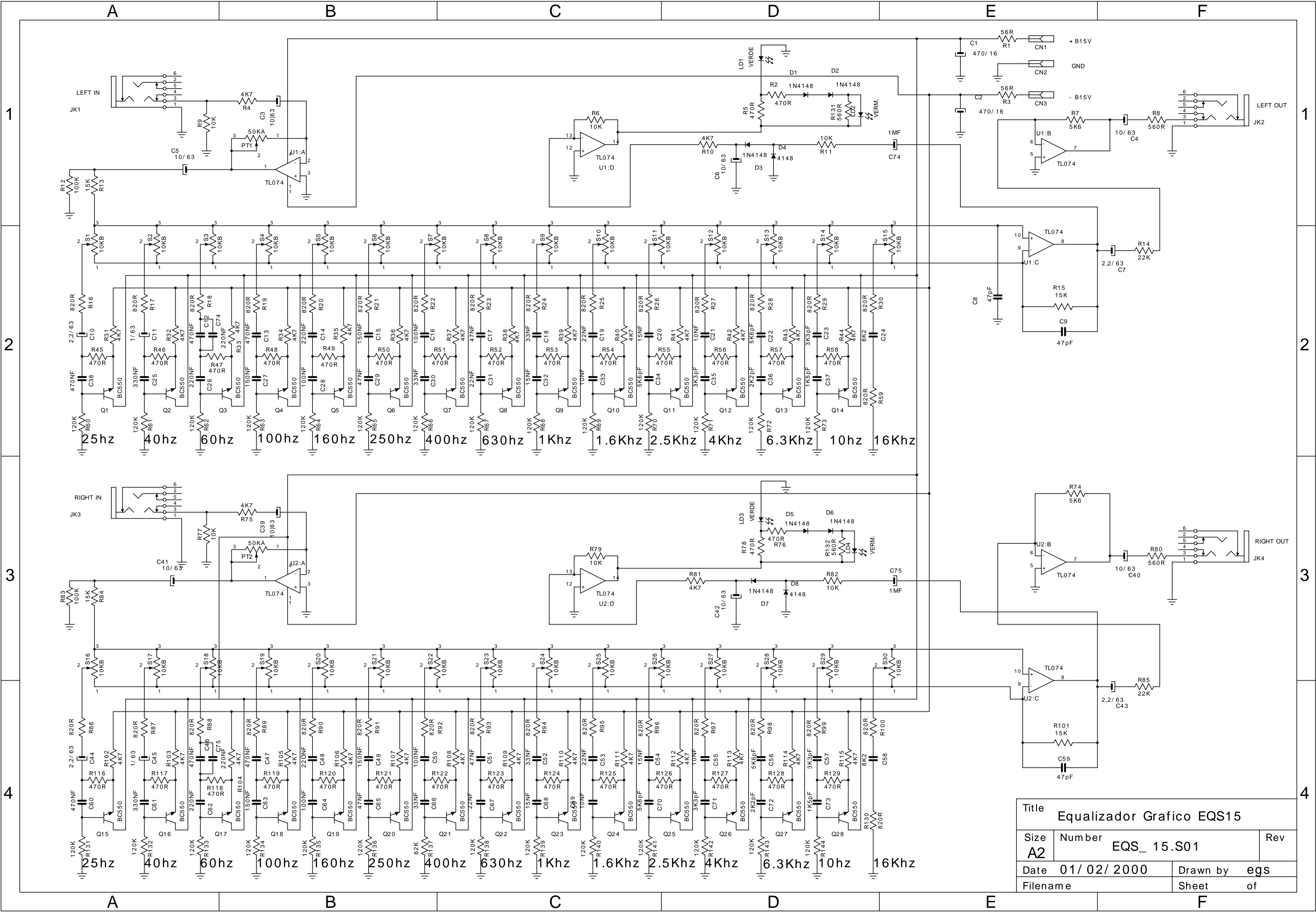
Title			STAGE ECHO		
Size	Number	201 / 202		Rev	
A2					
Date	21/ 06/ 99	Drawn by			
Filename	ECO_STAG.S01	Sheet		of	



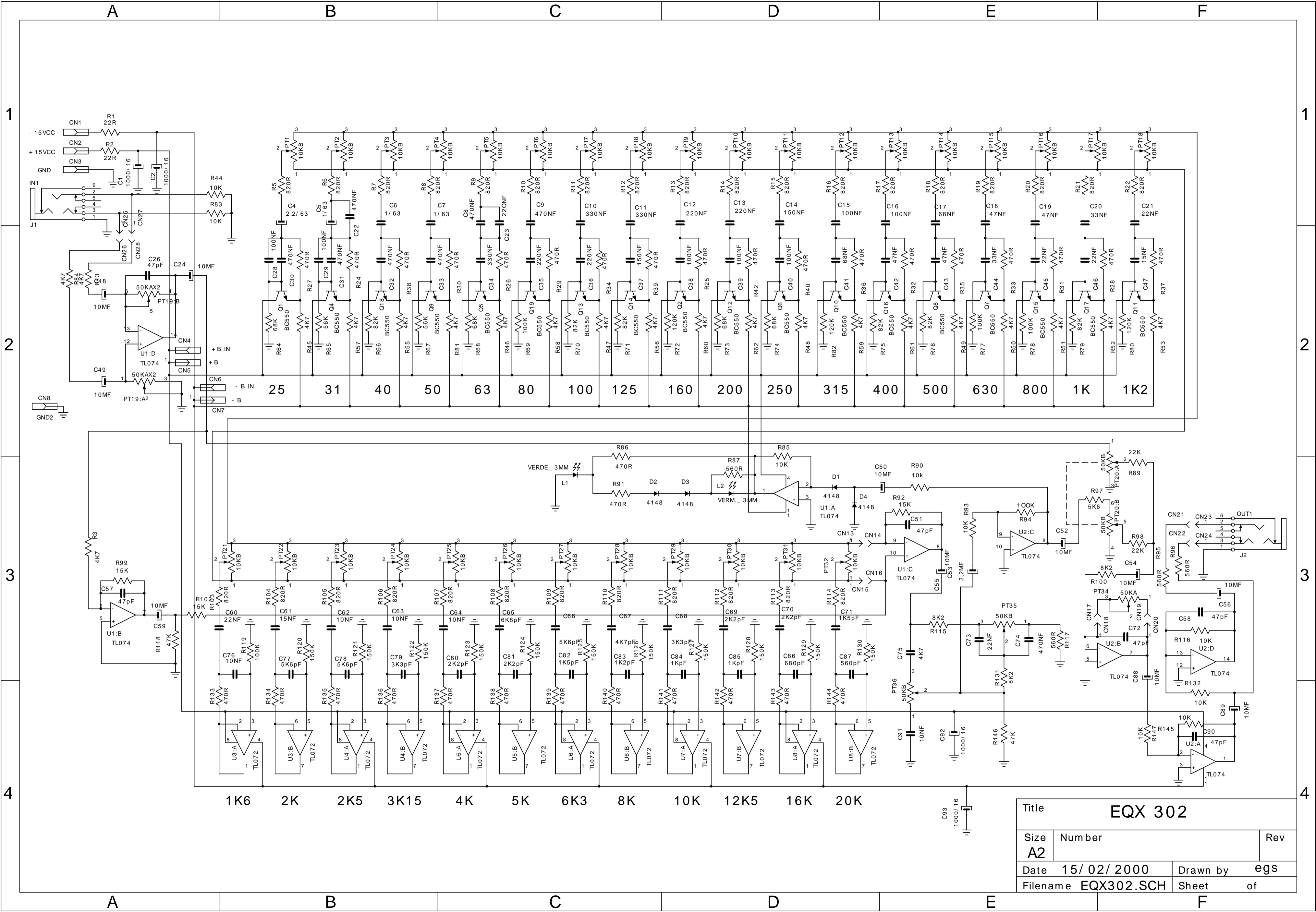
Title				EQX152	
Size	Number			Rev	
A2	211-C			2	
Date	23/06/2003	Drawn by	egs		
Filename	EQX152.SCH	Sheet	1 of 1		



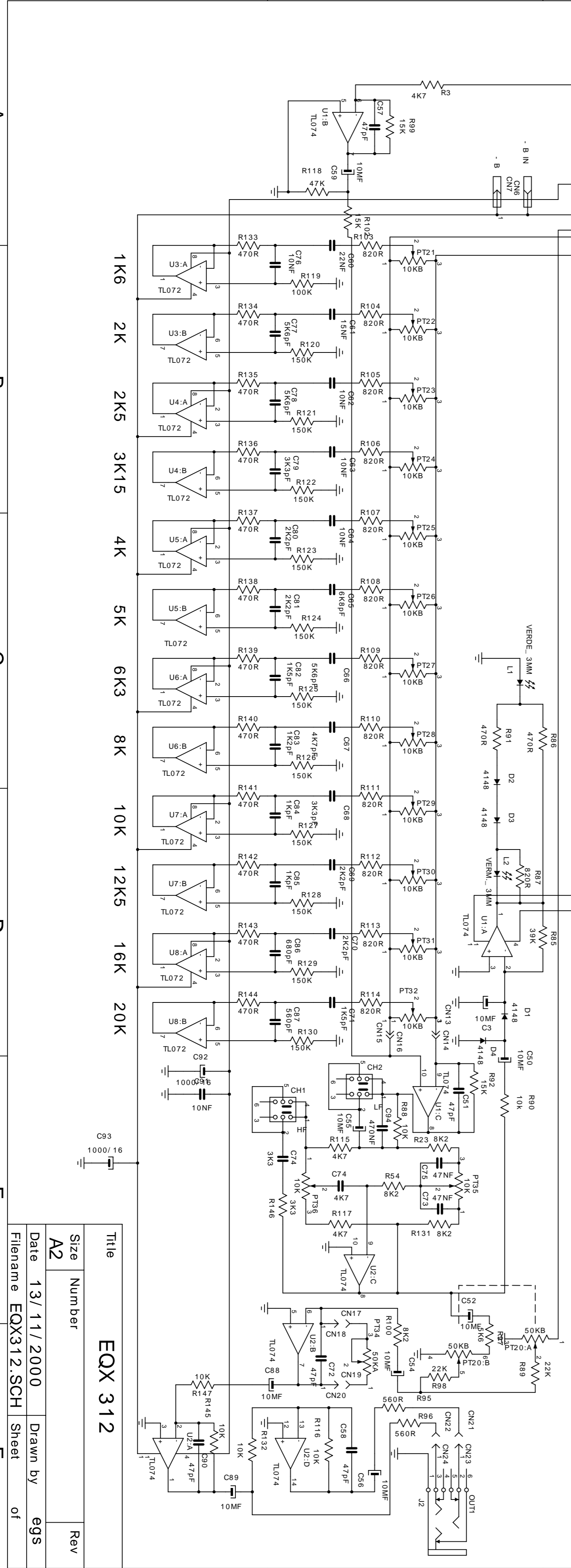
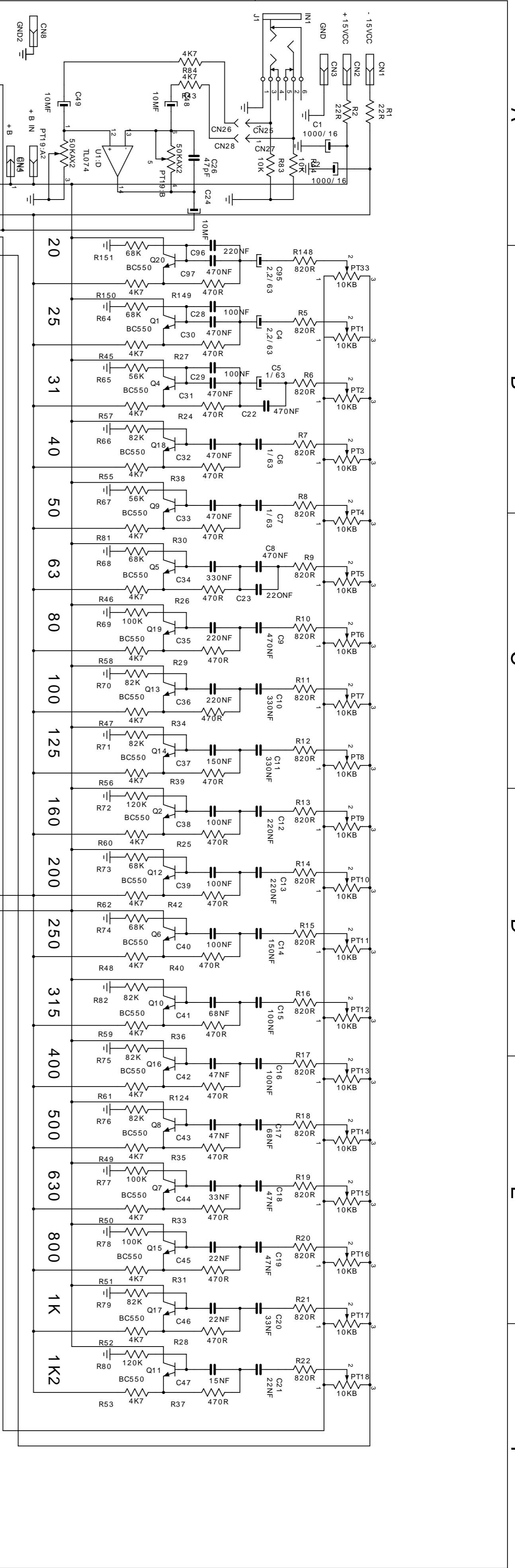
Title			Equalizador Grafico EQS10		
Size	Number	Rev			
A2	EQS_10.S01				
Date	01/02/2000	Drawn by	egs		
Filename		Sheet	of		



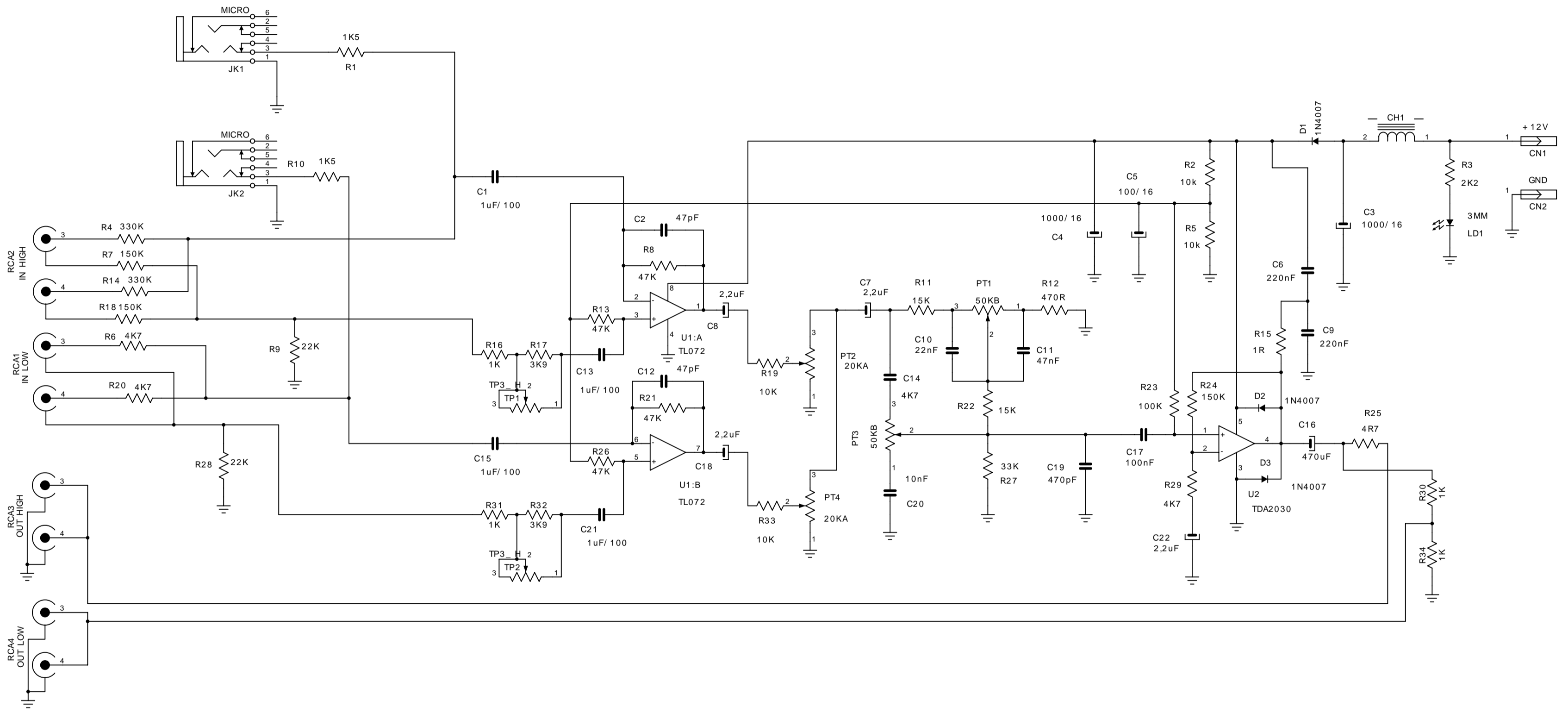
Title			Equalizador Grafico EQS15		
Size	Number	Rev			
A2	EQS_15.S01				
Date	01/02/2000	Drawn by	egs		
Filename		Sheet	of		



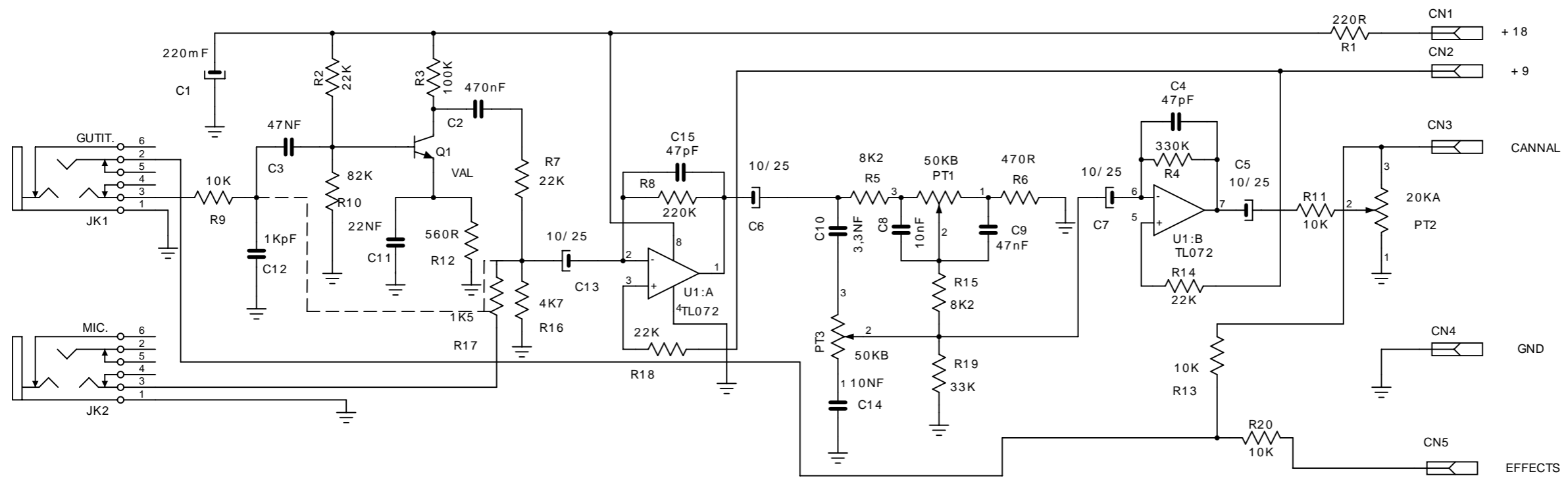
Title			EQX 302		
Size	Number				Rev
A2					
Date	15/ 02/ 2000		Drawn by	egs	
Filename	EQX302.SCH		Sheet	of	



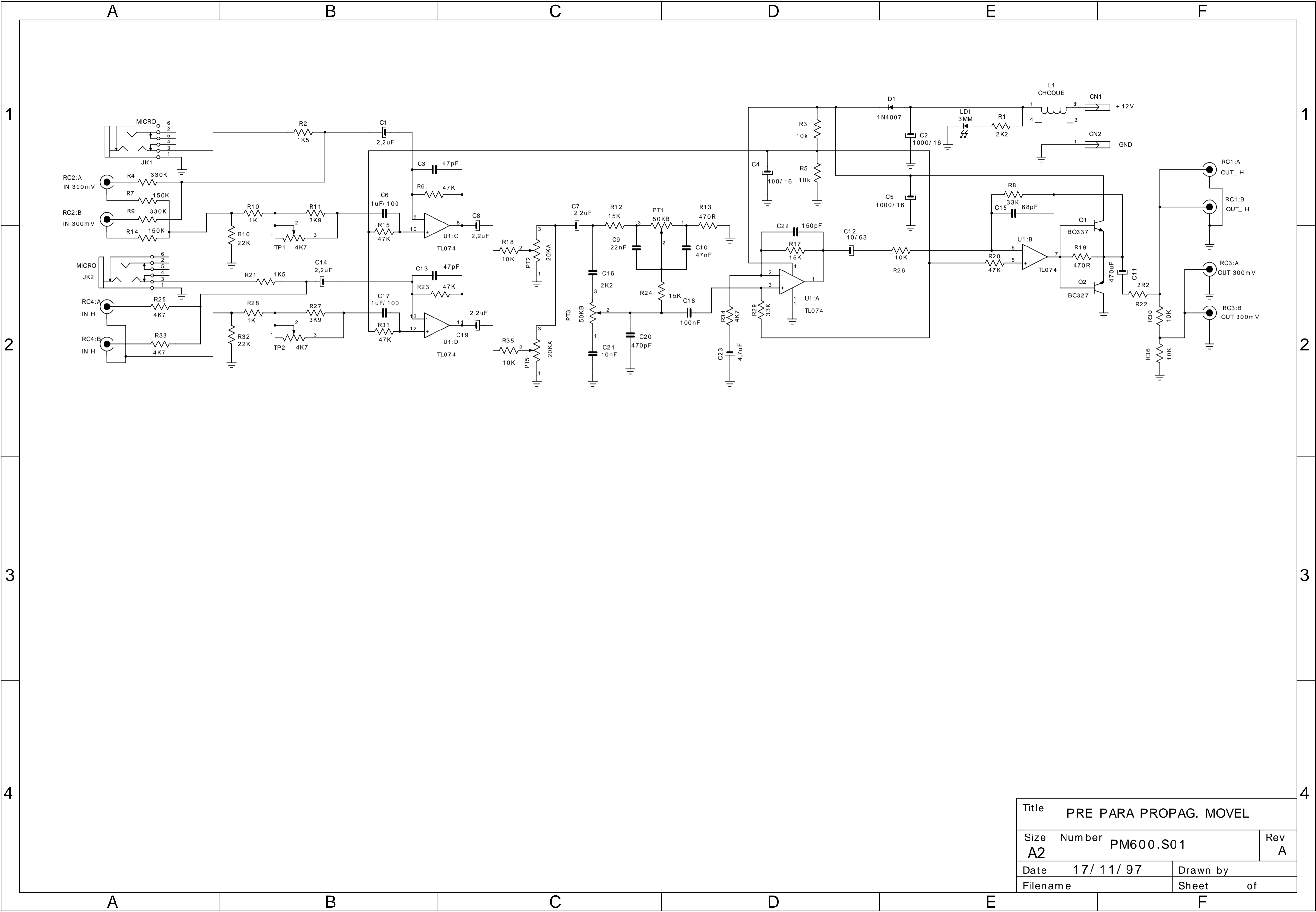
Title		EQX 312	
Size	Number		
A2			
Date	13/11/2000	Drawn by	egs
Filename	EQX312.SCH	Sheet	of
		Rev	



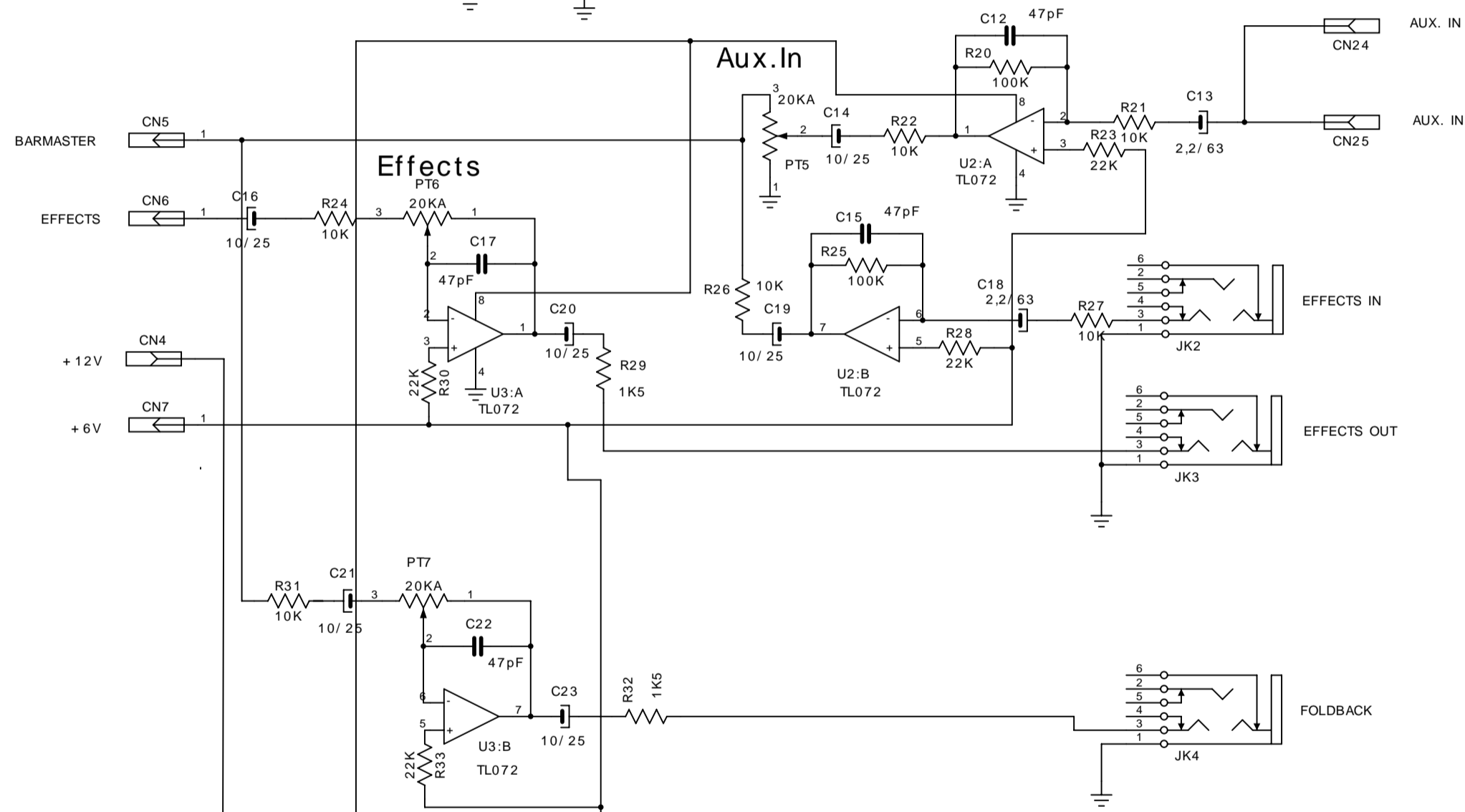
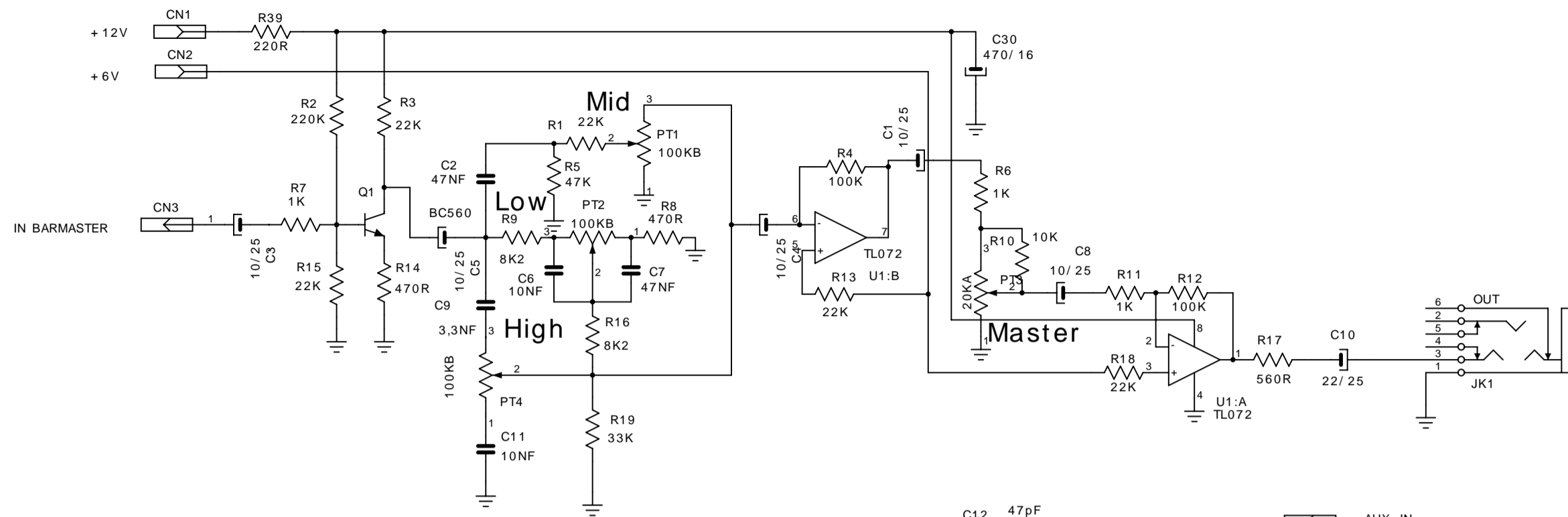
Title			PRE PARA PROPAG. MOVEL		
Size	Number		Rev		
A2	PM600.S01		A		
Date	17/ 11/ 97		Drawn by		
Filename			Sheet of		



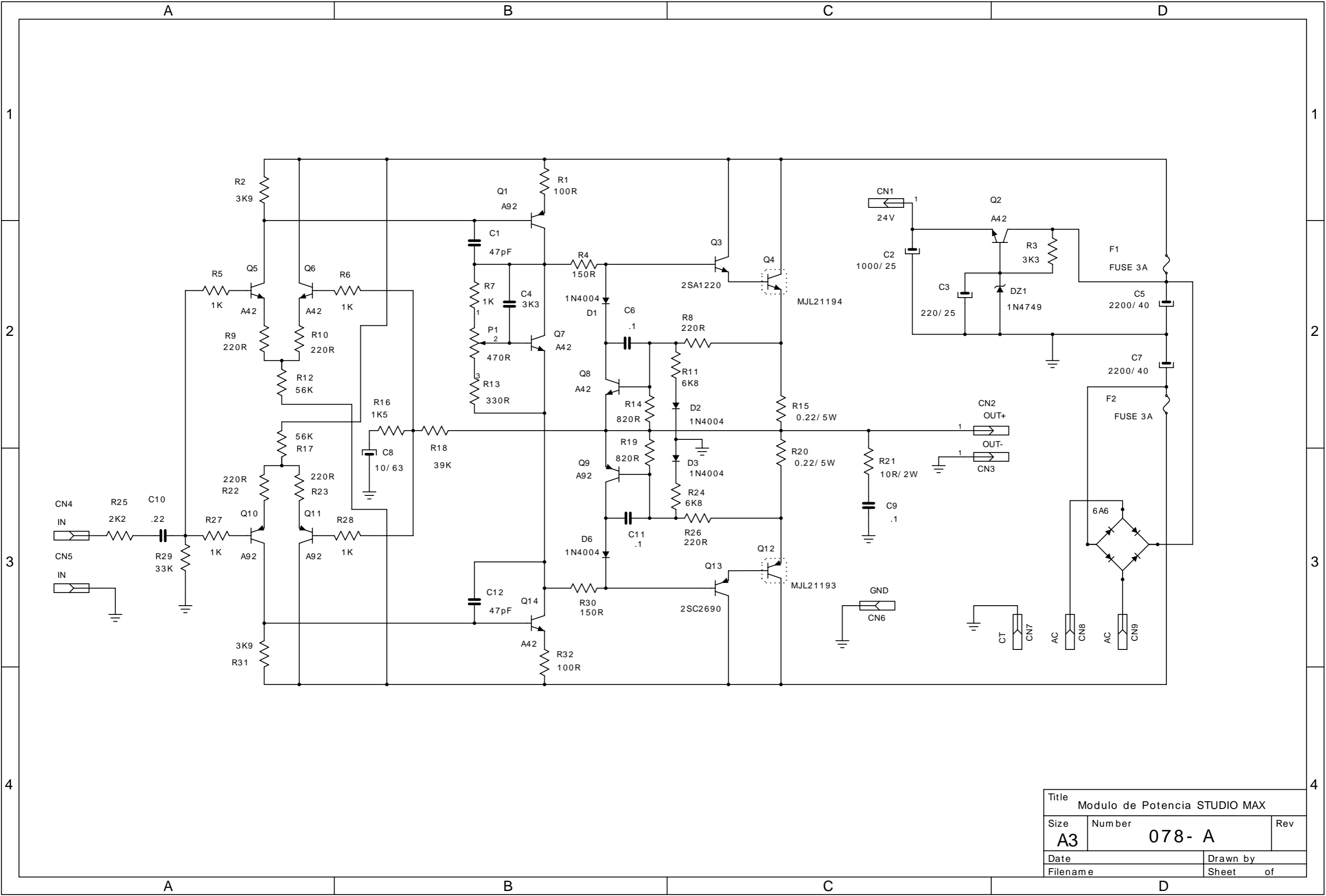
Title canal studio MAX		
Size A3	Number	Rev
Date	Drawn by	
Filename CAN_MULT.S01	Sheet of	



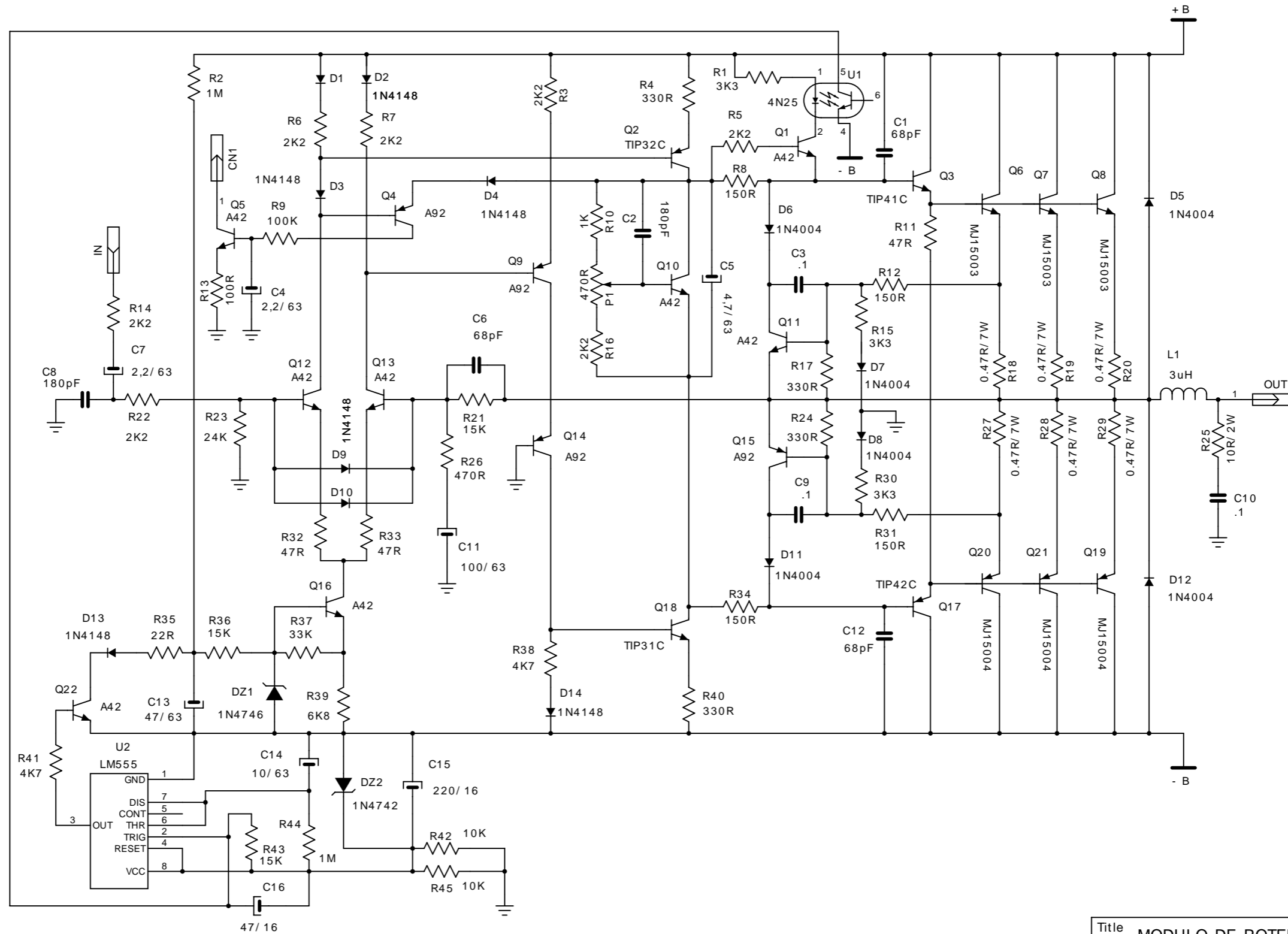
Title			PRE PARA PROPAG. MOVEL		
Size	Number				Rev
A2	PM600.S01				A
Date	17/ 11/ 97	Drawn by			
Filename		Sheet	of		



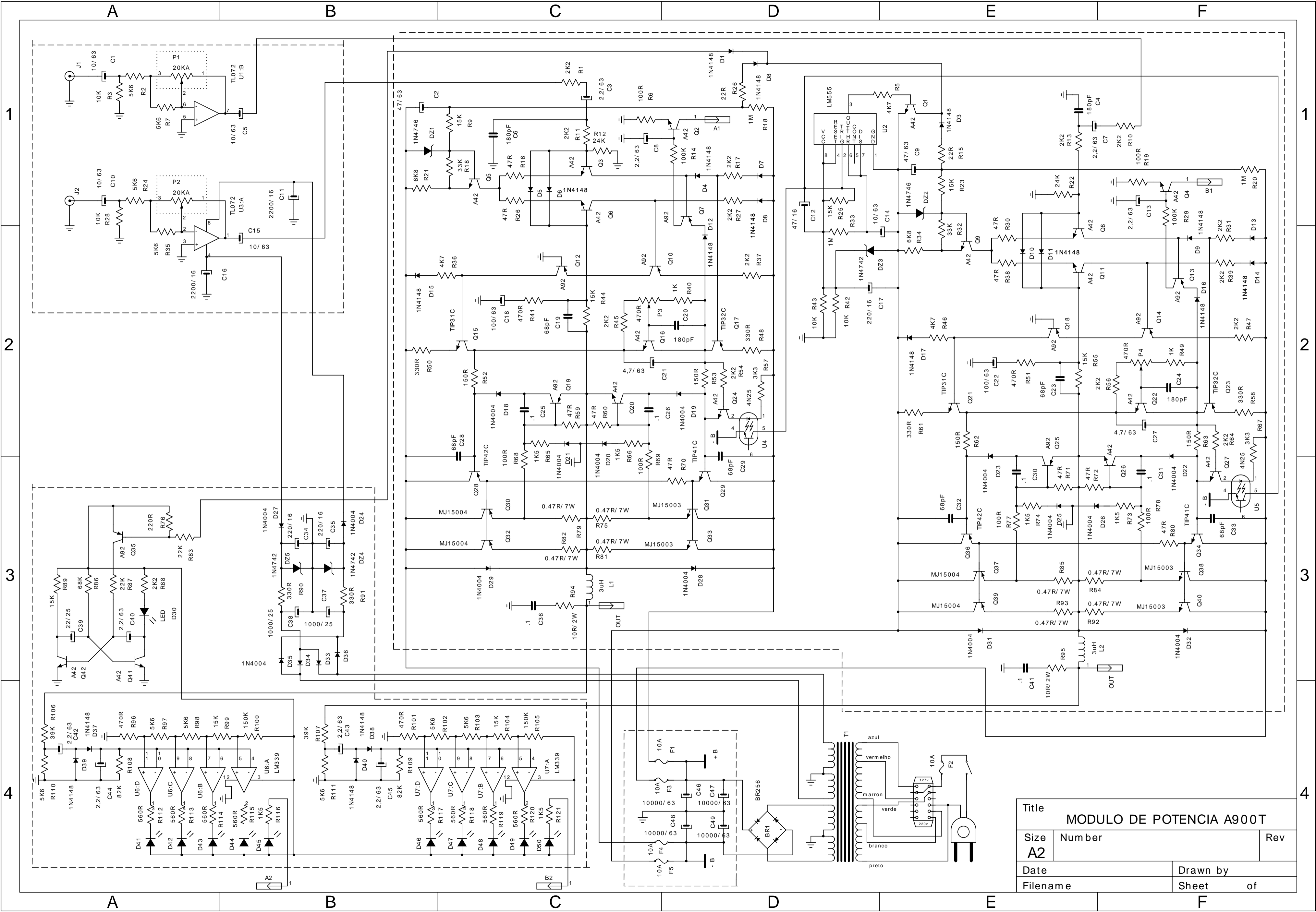
Title			master studio MAX		
Size	Number				Rev
A2					
Date			Drawn by		
Filename	mastmix4.s01		Sheet		of



Title		
Modulo de Potencia STUDIO MAX		
Size	Number	Rev
A3	078- A	
Date	Drawn by	
Filename	Sheet of	



Title		
MODULO DE POTENCIA A1600BT		
Size	Number	Rev
A3		
Date	Drawn by	
Filename	Sheet of	

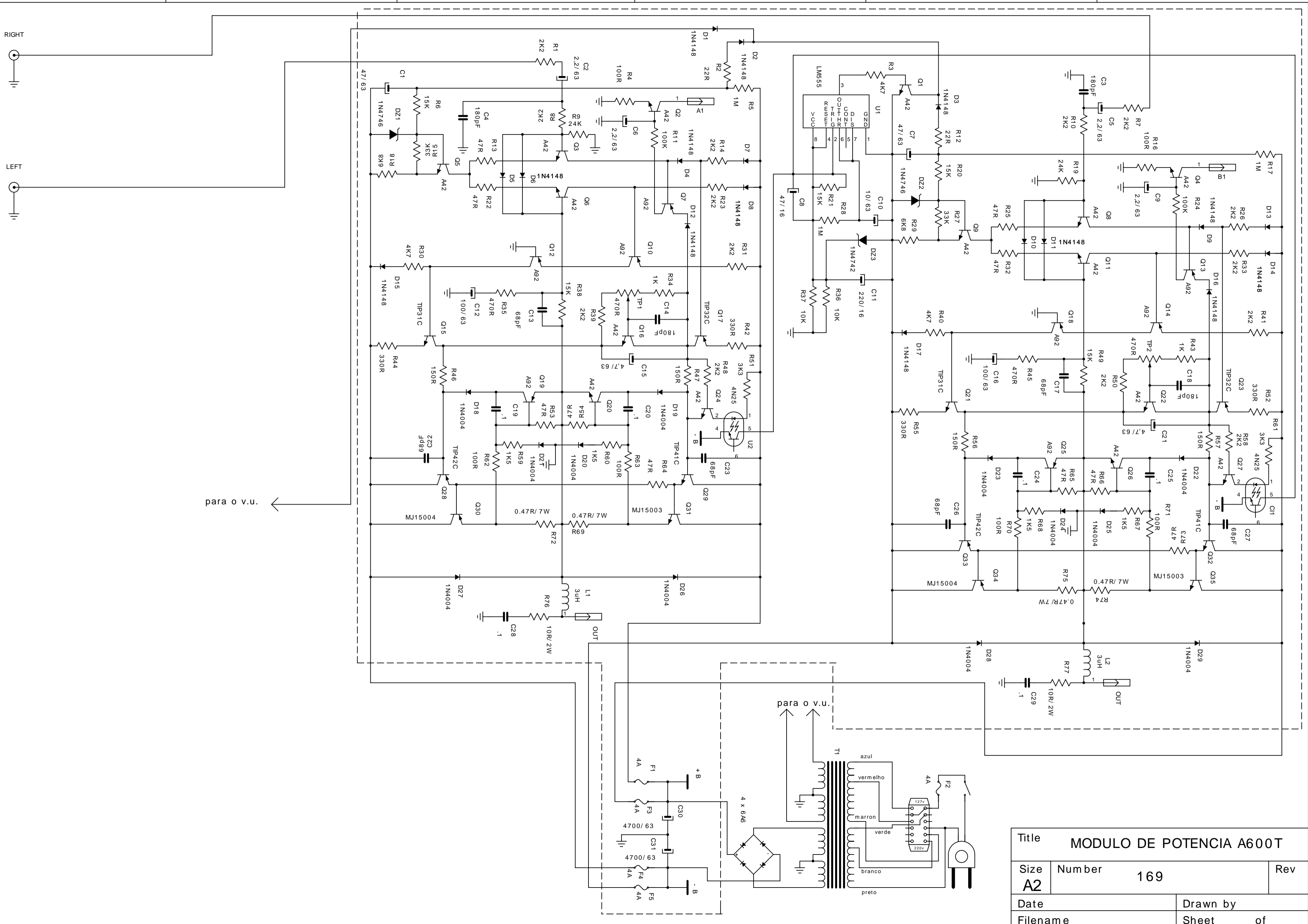


Title			MODULO DE POTENCIA A900T		
Size	Number				Rev
A2					
Date			Drawn by		
Filename			Sheet		of

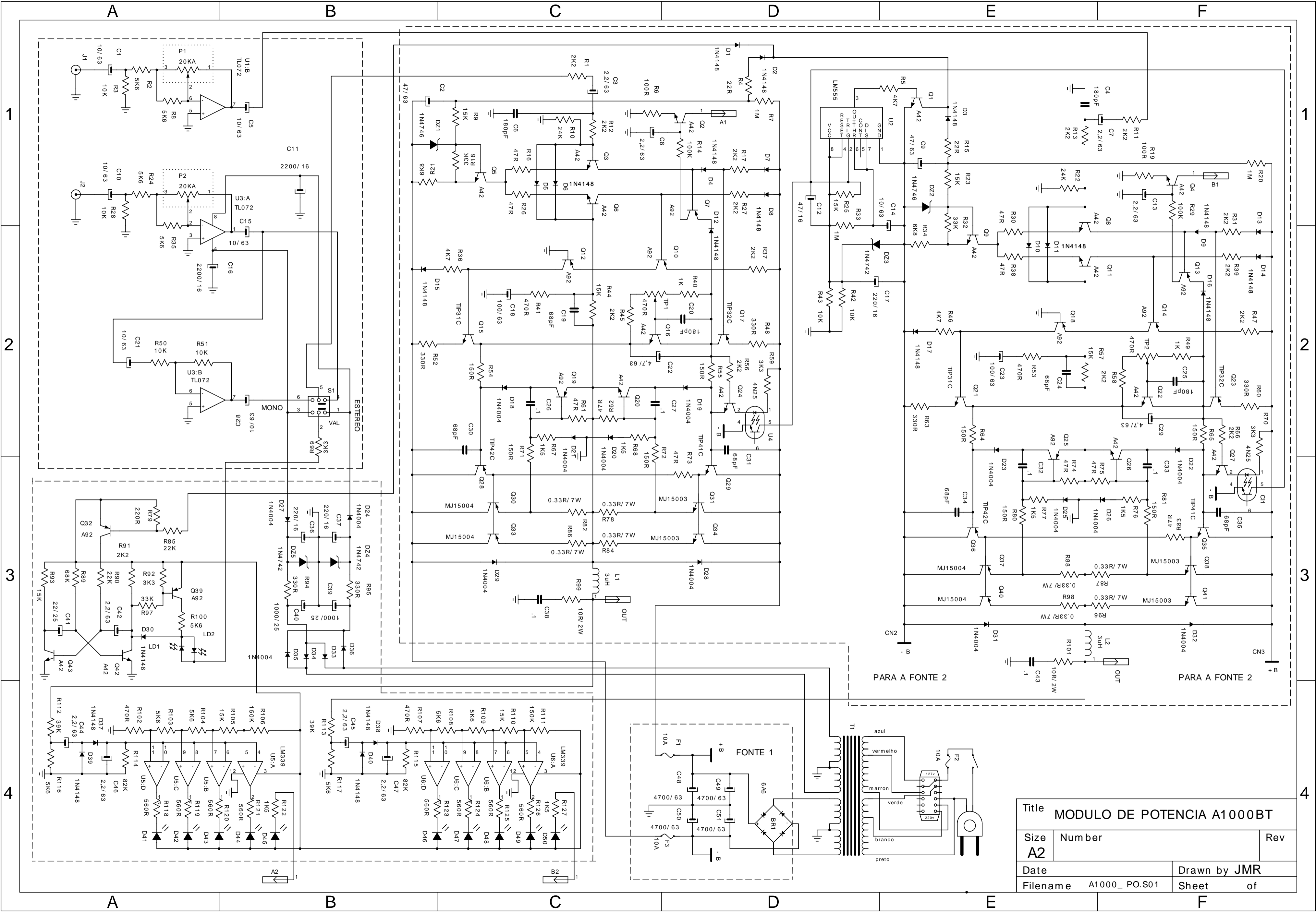
RIGHT
LEFT

para o v.u.

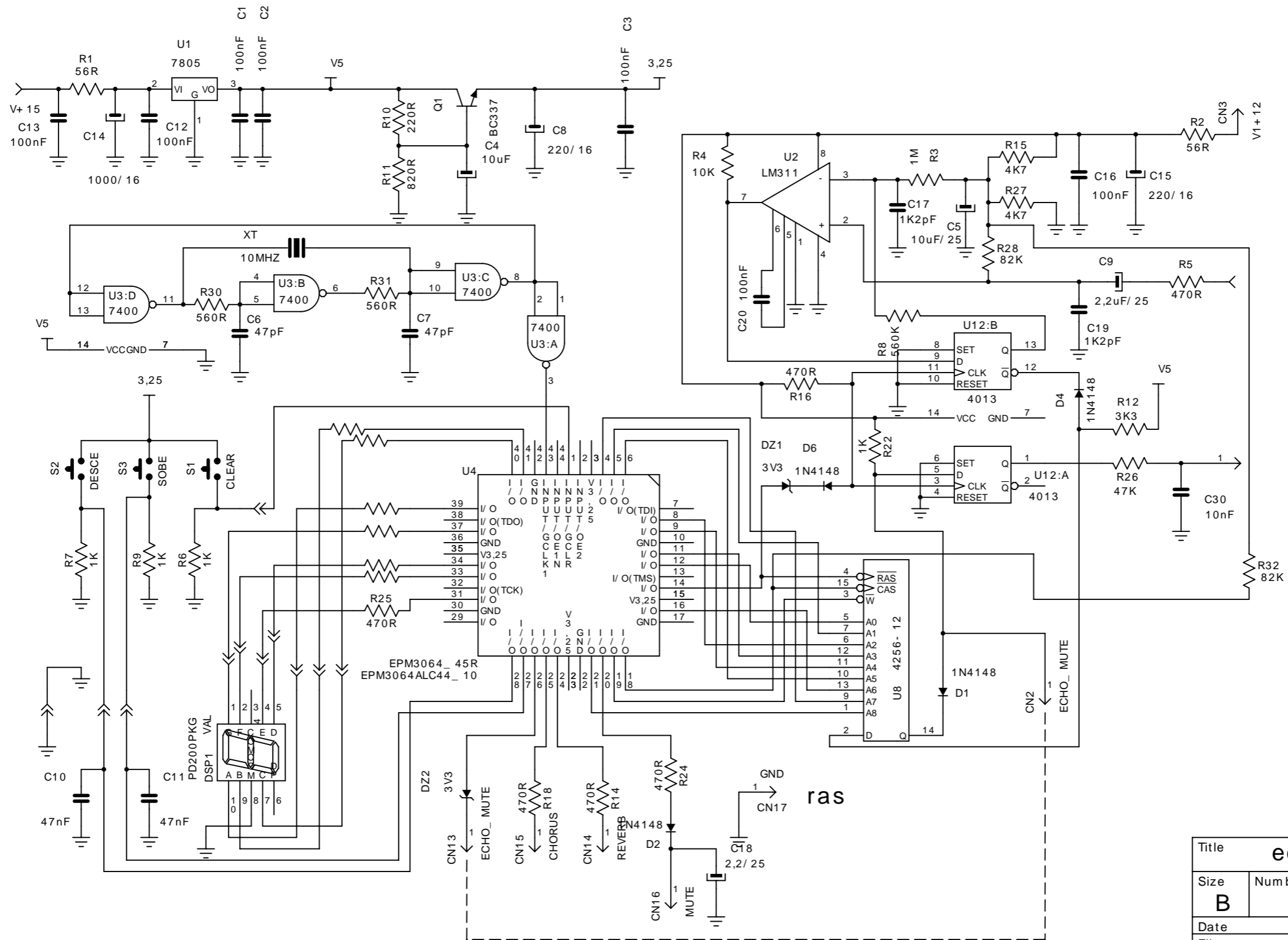
para o v.u.



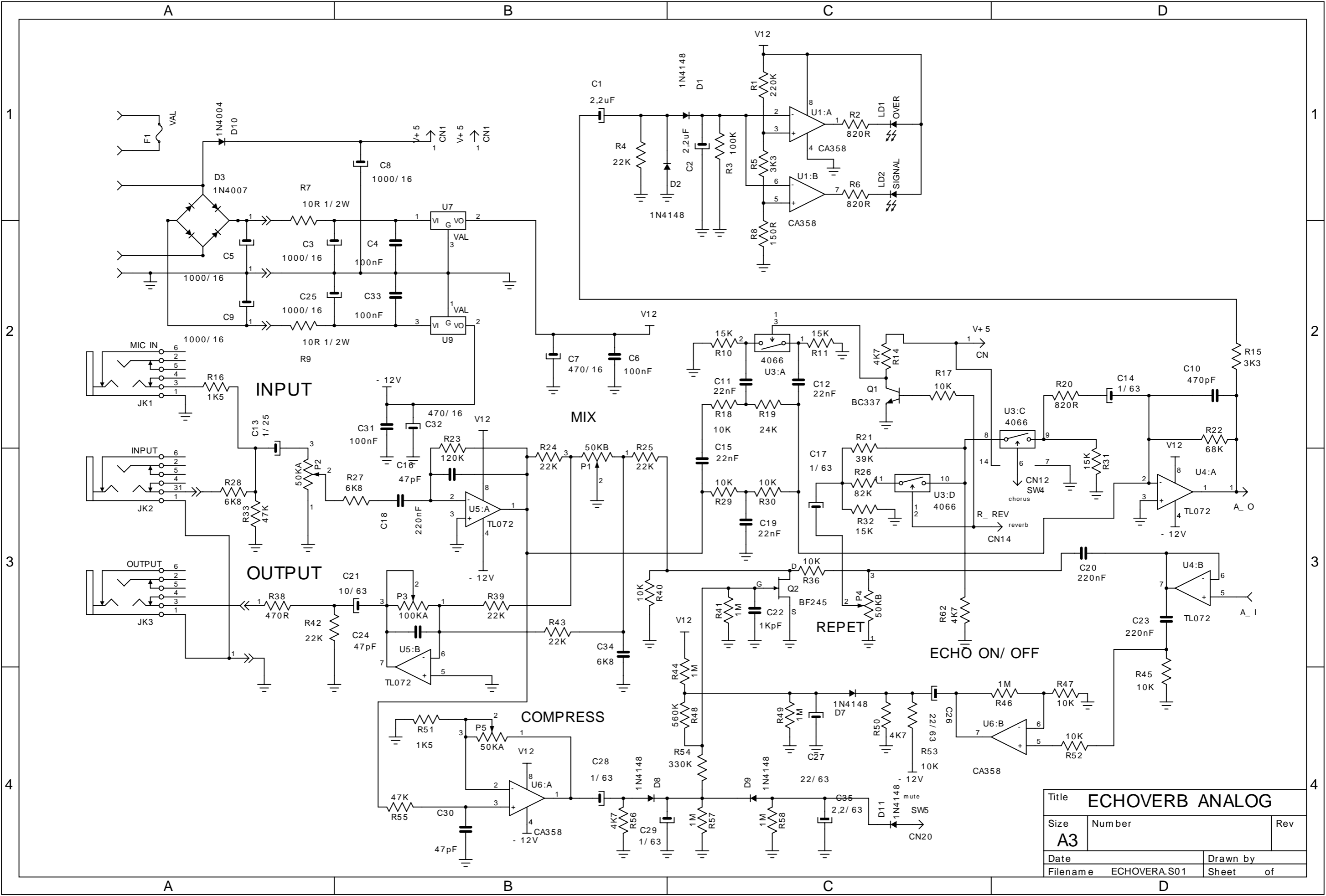
Title		MODULO DE POTENCIA A600T	
Size	Number	169	Rev
A2			
Date	Drawn by		
Filename	Sheet	of	



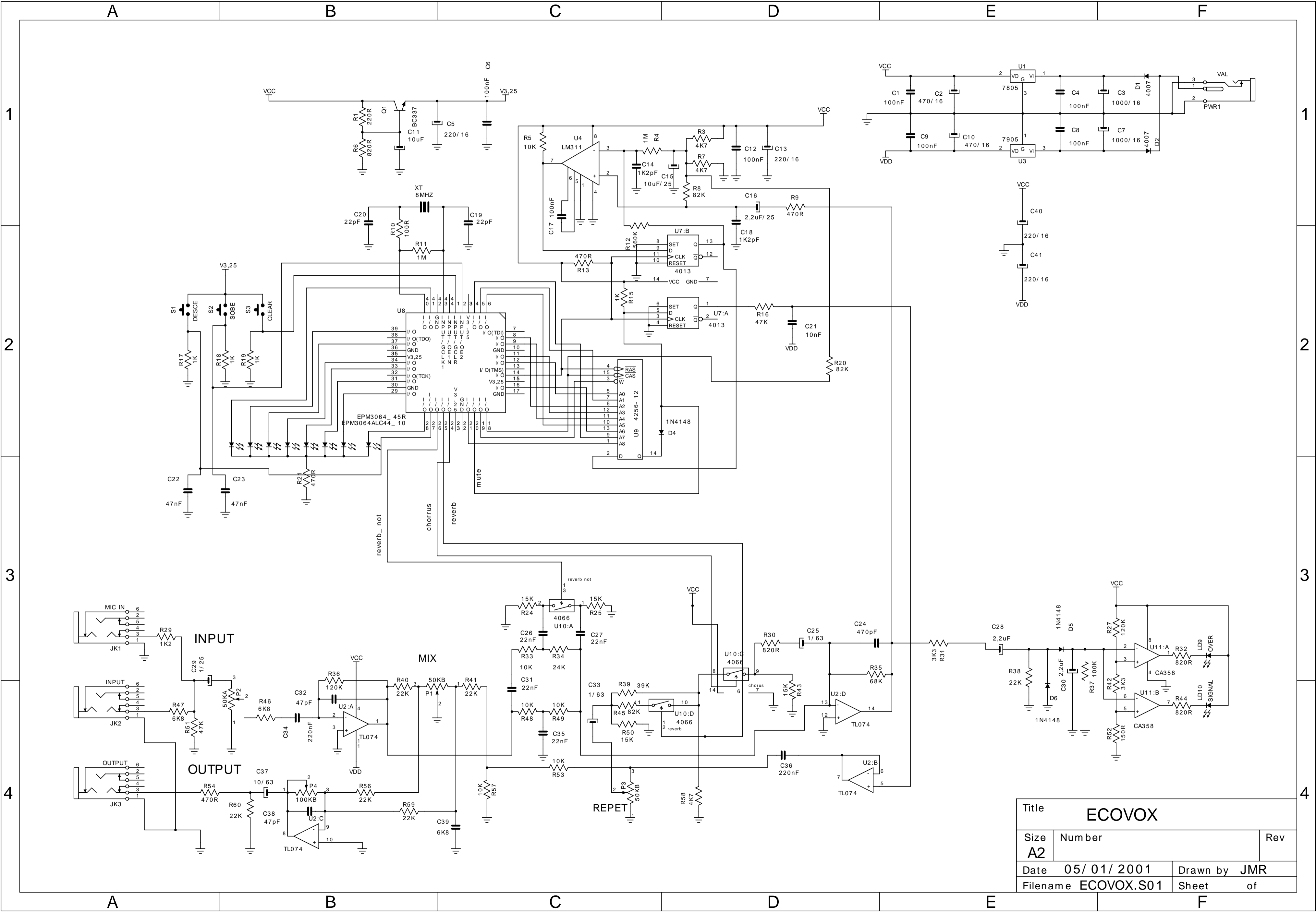
Title			MODULO DE POTENCIA A1000BT		
Size	Number				Rev
A2					
Date	Drawn by JMR				
Filename	A1000_PO.S01	Sheet	of		



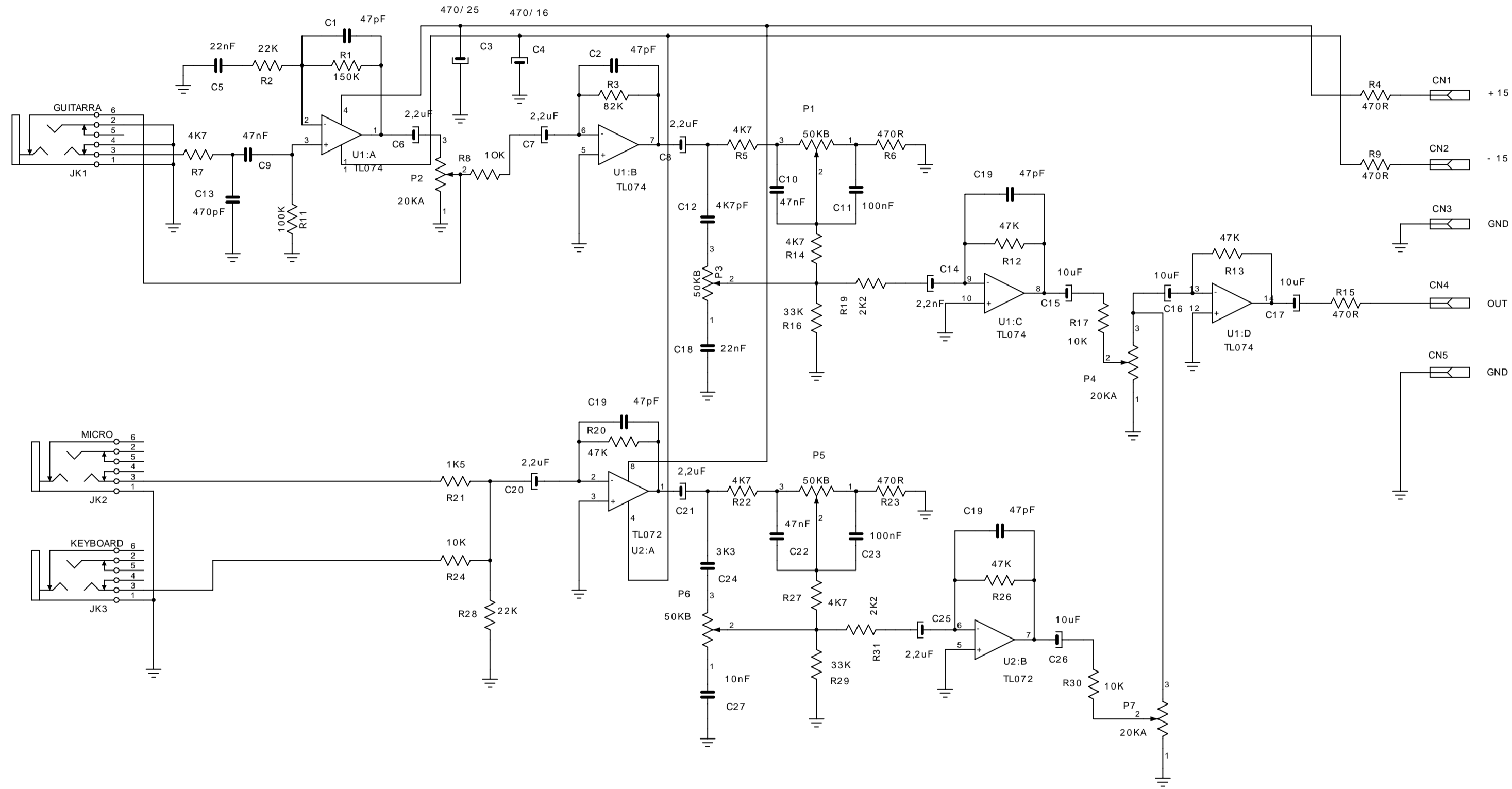
Title			echoverb digital		
Size	Number		Rev		
B					
Date	Drawn by				
Filename	Sheet		of		



Title ECHOVERB ANALOG		
Size A3	Number	Rev
Date	Drawn by	
Filename ECHOVERA.S01	Sheet of	



Title			ECOVOX		
Size	Number				Rev
A2					
Date	05/ 01/ 2001		Drawn by		JMR
Filename	ECOVOX.S01		Sheet		of



Title			PRE GUITARRA COMPOSER		
Size	Number			Rev	
A2	190			A	
Date	01/09/97	Drawn by			
Filename	GUITAR20.S01	Sheet	of		

A

B

C

D

1

1

2

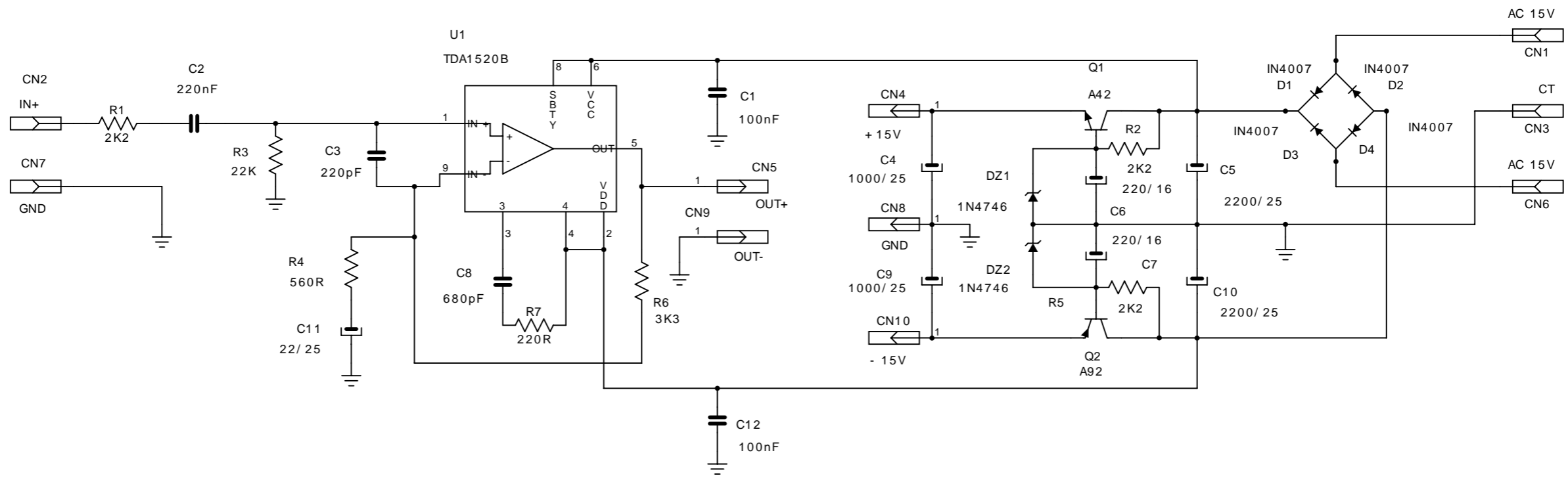
2

3

3

4

4



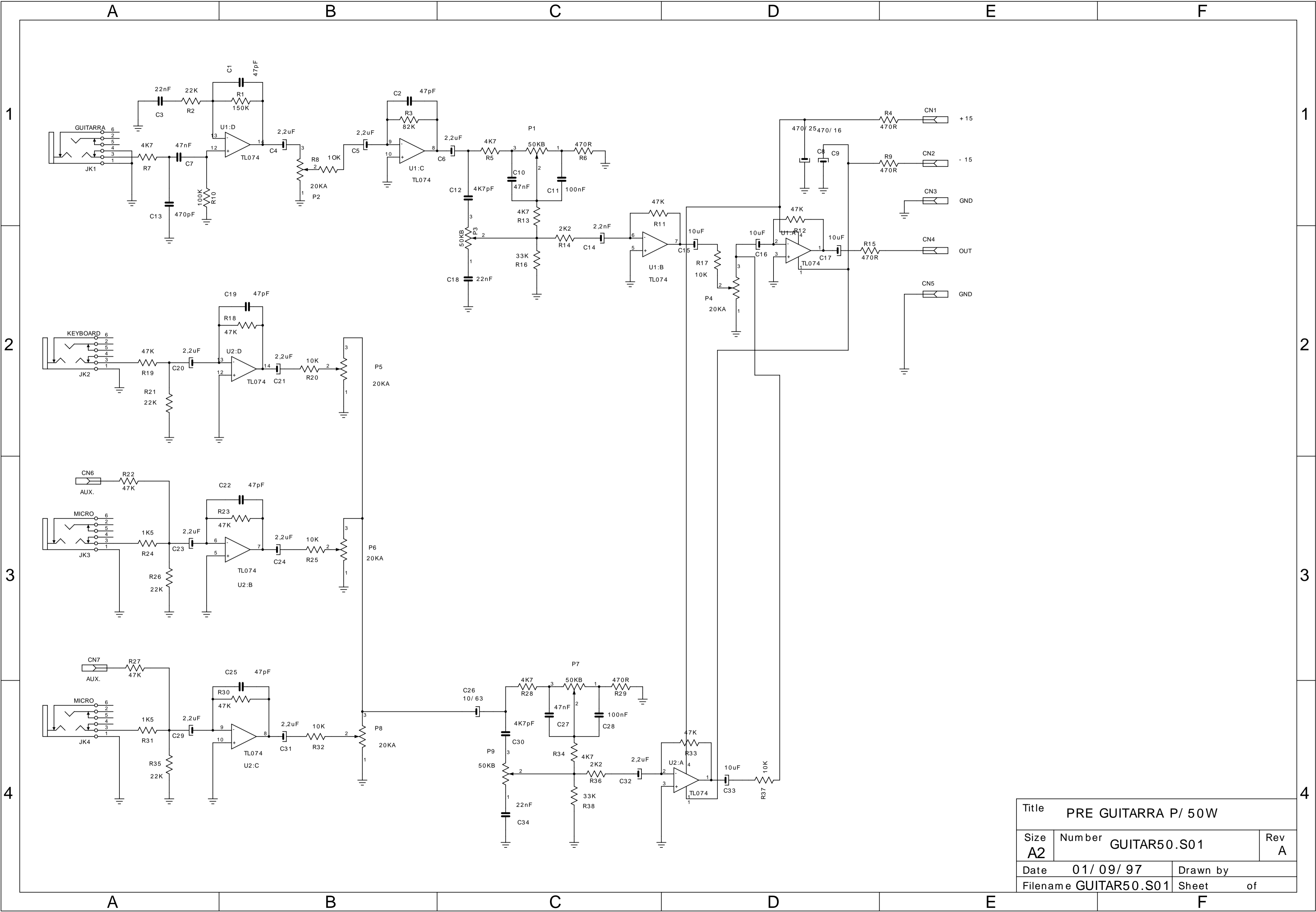
Title amplificador composer		
Size A3	Number 191	Rev
Date	Drawn by	
Filename	Sheet of	

A

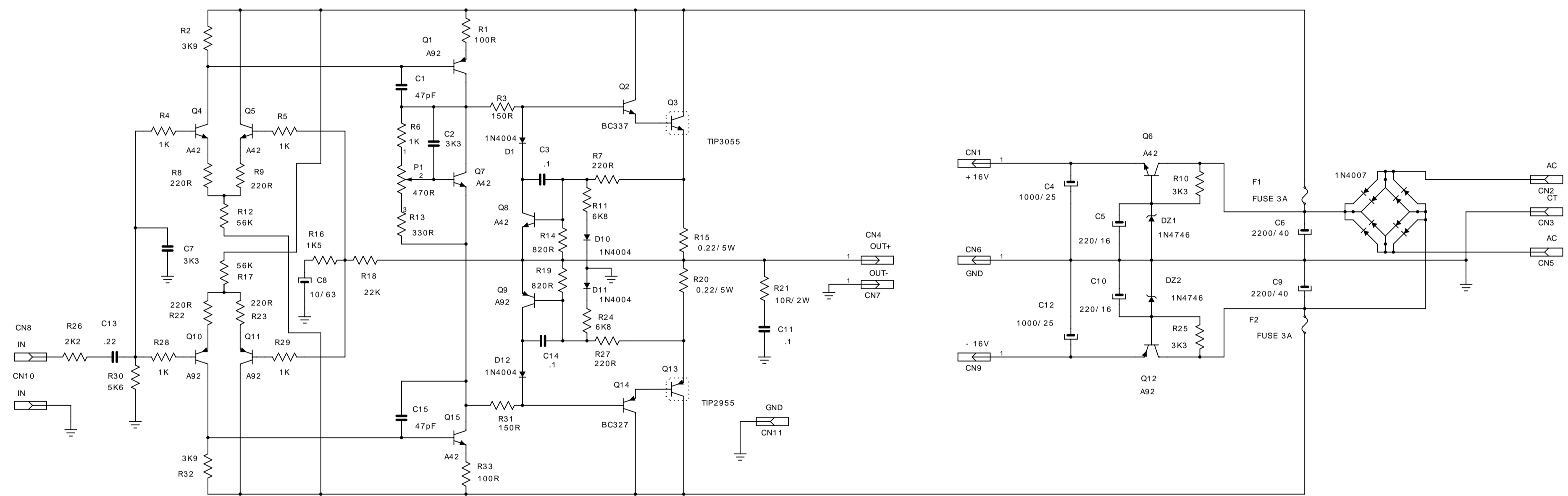
B

C

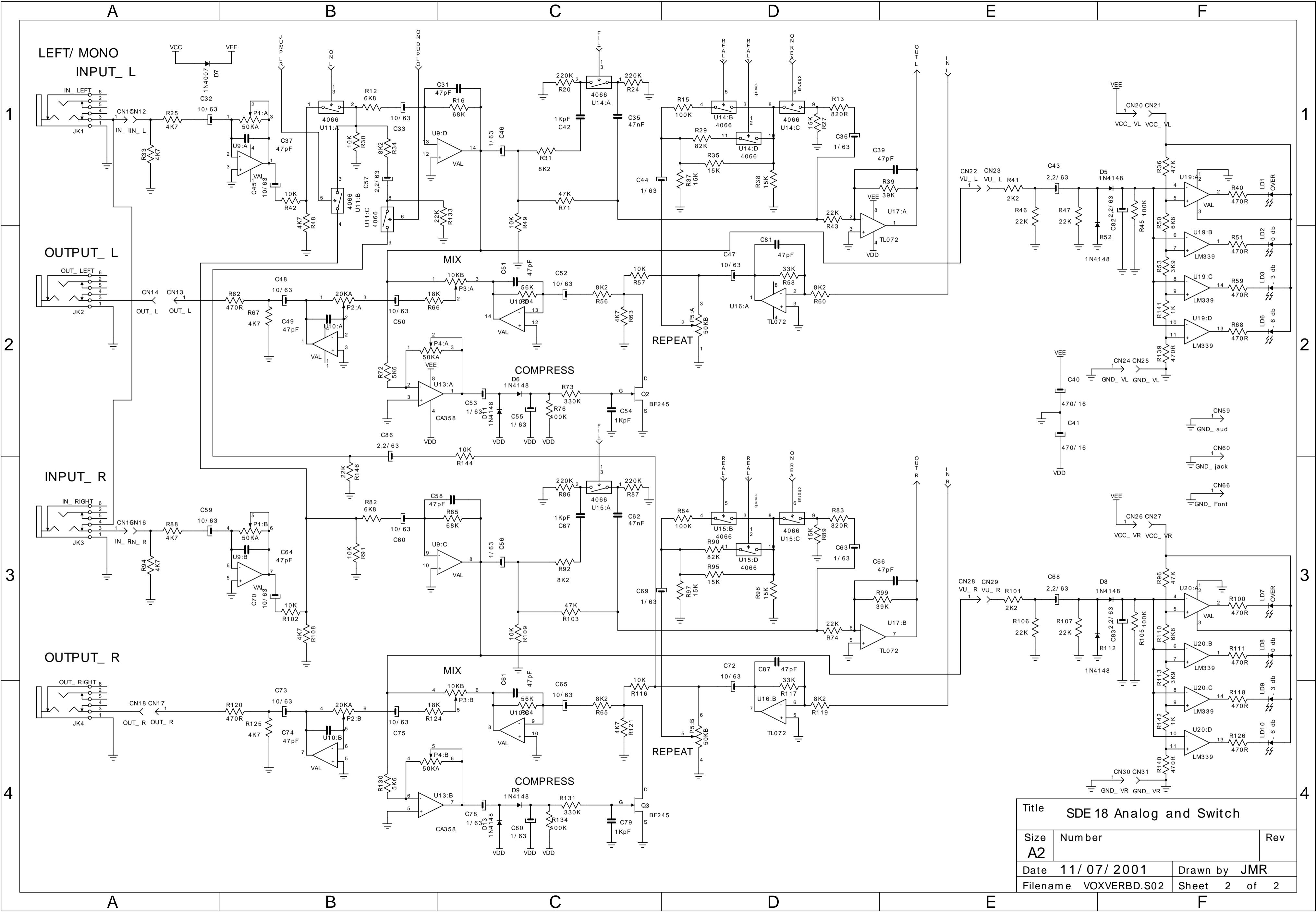
D



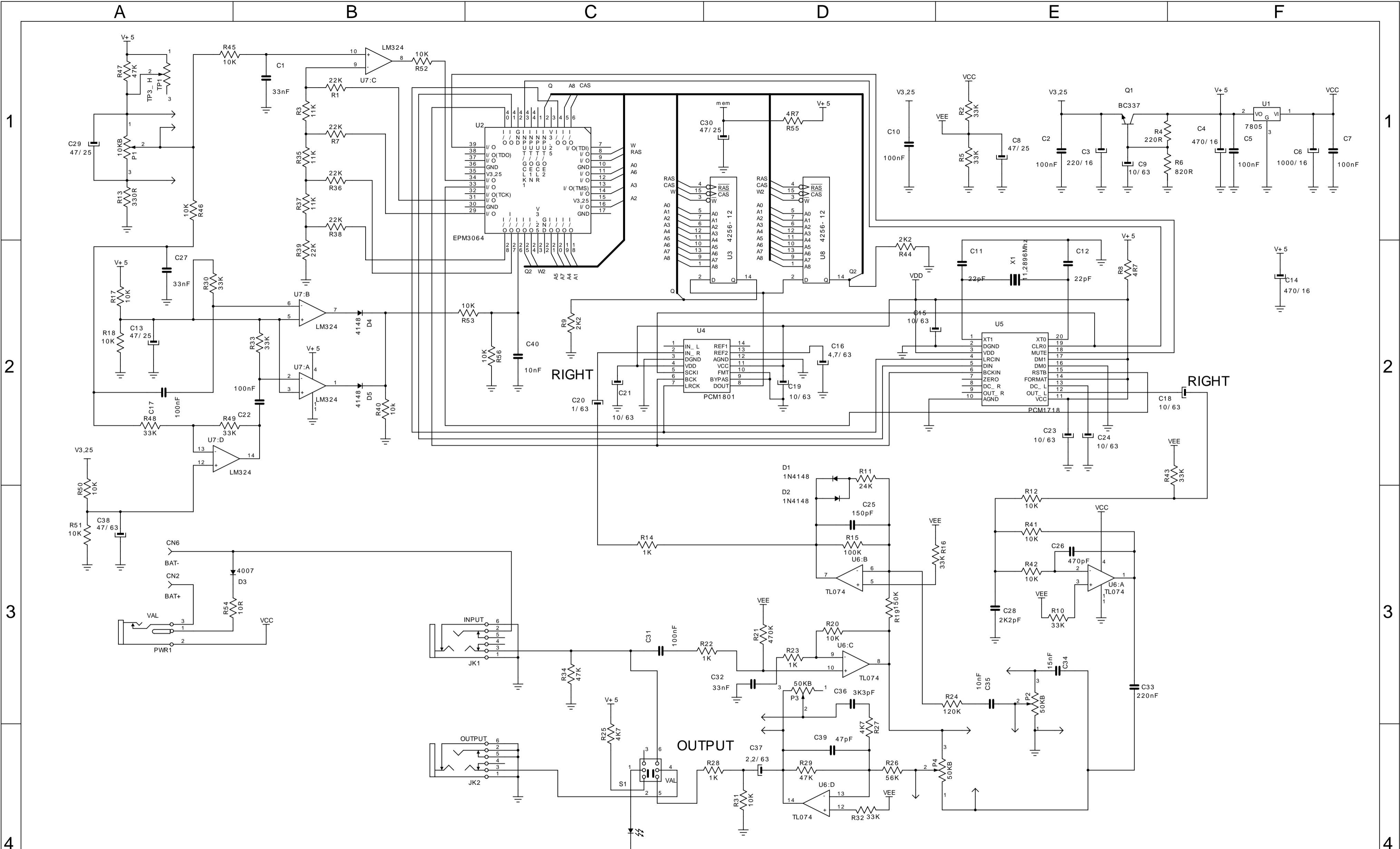
Title			PRE GUITARRA P/ 50W		
Size	Number			Rev	
A2	GUITAR50.S01				A
Date	01/ 09/ 97	Drawn by			
Filename	GUITAR50.S01	Sheet	of		



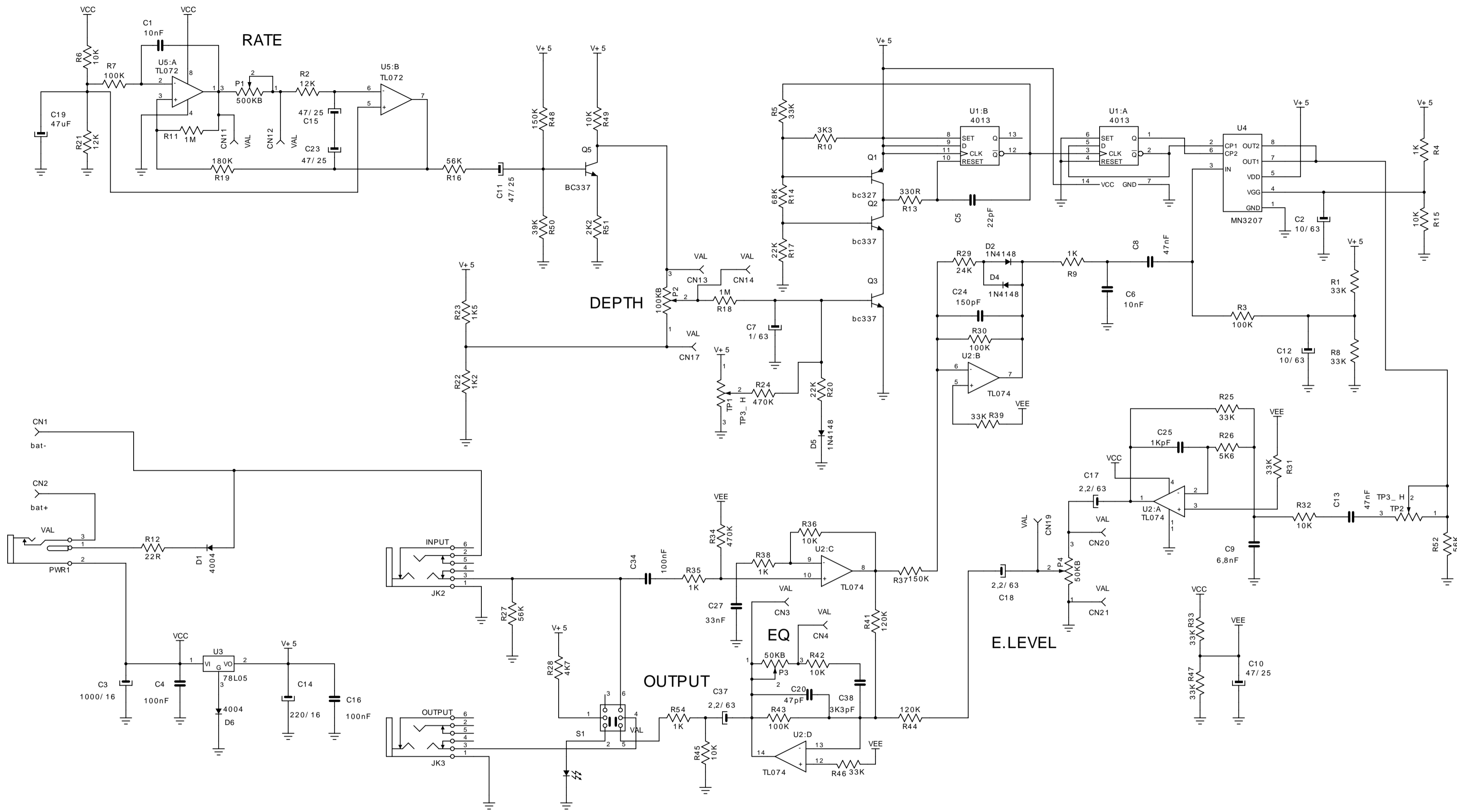
Title			POTENCIA SYMPHONY		
Size	Number	078- A		Rev	
A2					
Date	Drawn by				
Filename	Sheet	of			



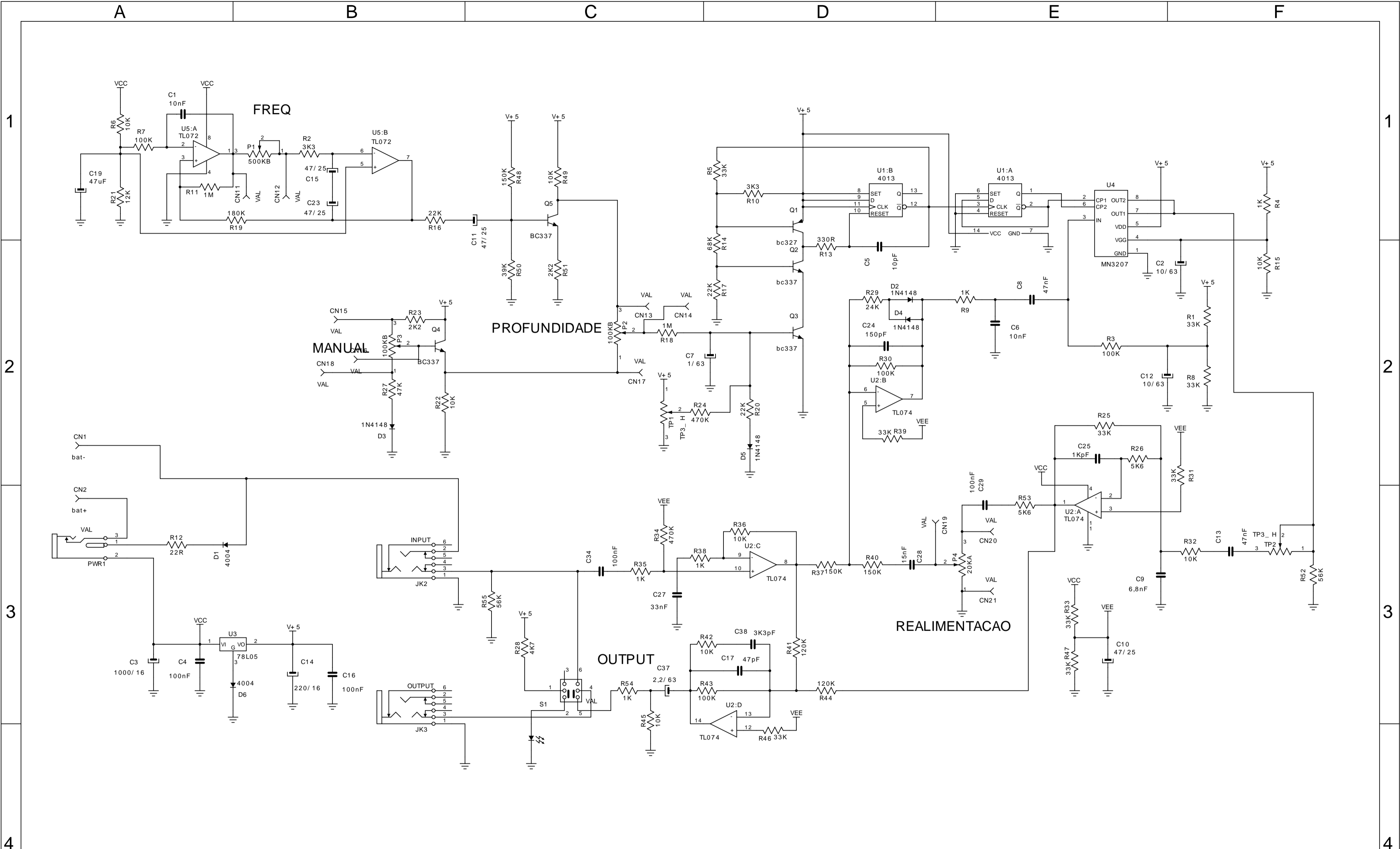
Title			SDE 18 Analog and Switch		
Size	Number				Rev
A2					
Date	11/07/2001		Drawn by		JMR
Filename	VOXVERBD.S02		Sheet		2 of 2



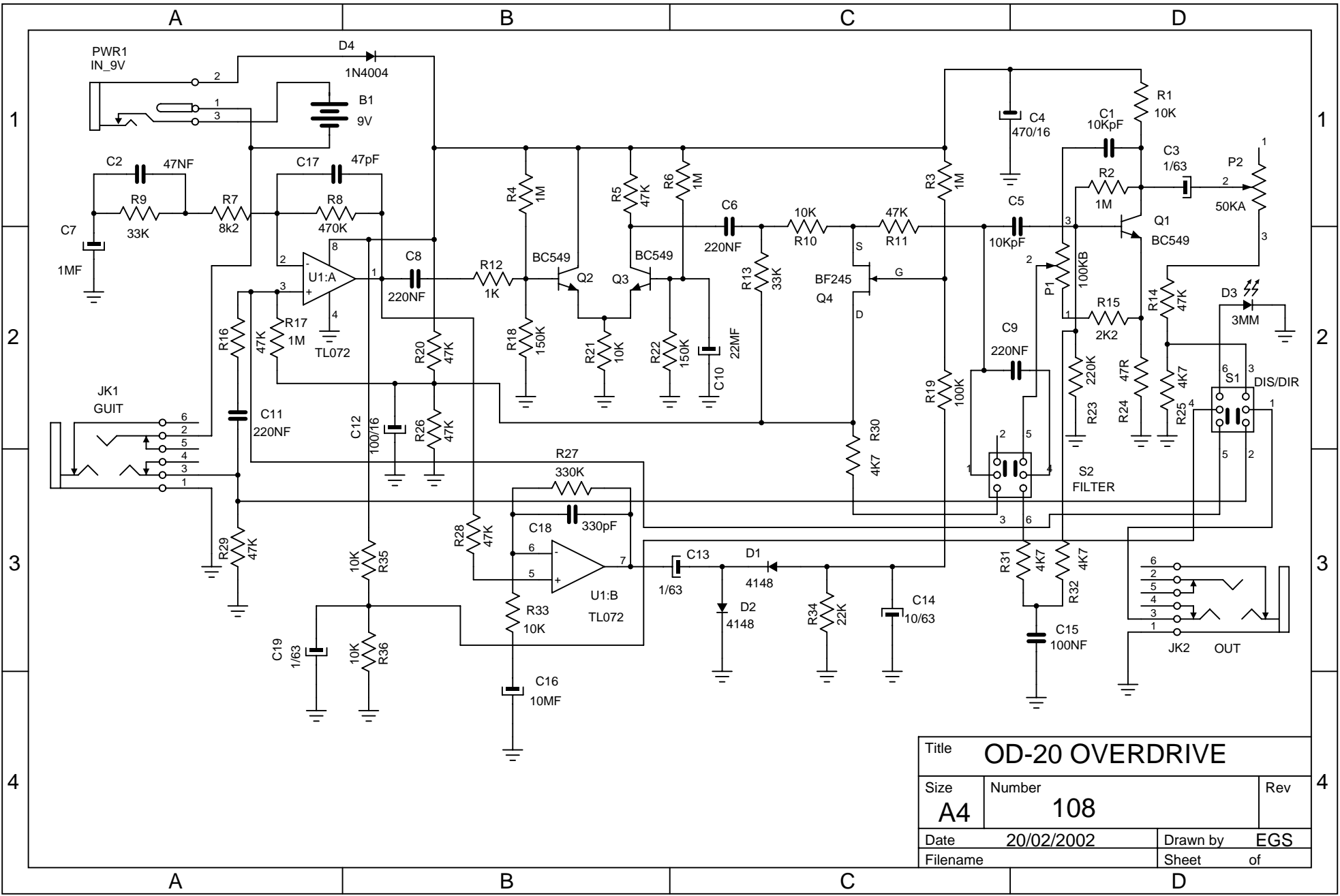
Title			PEDAL DELAY		
Size	Number				Rev
A2					
Date	03/ 12/ 2001		Drawn by	JMR	
Filename	DELAY.S01		Sheet	of	



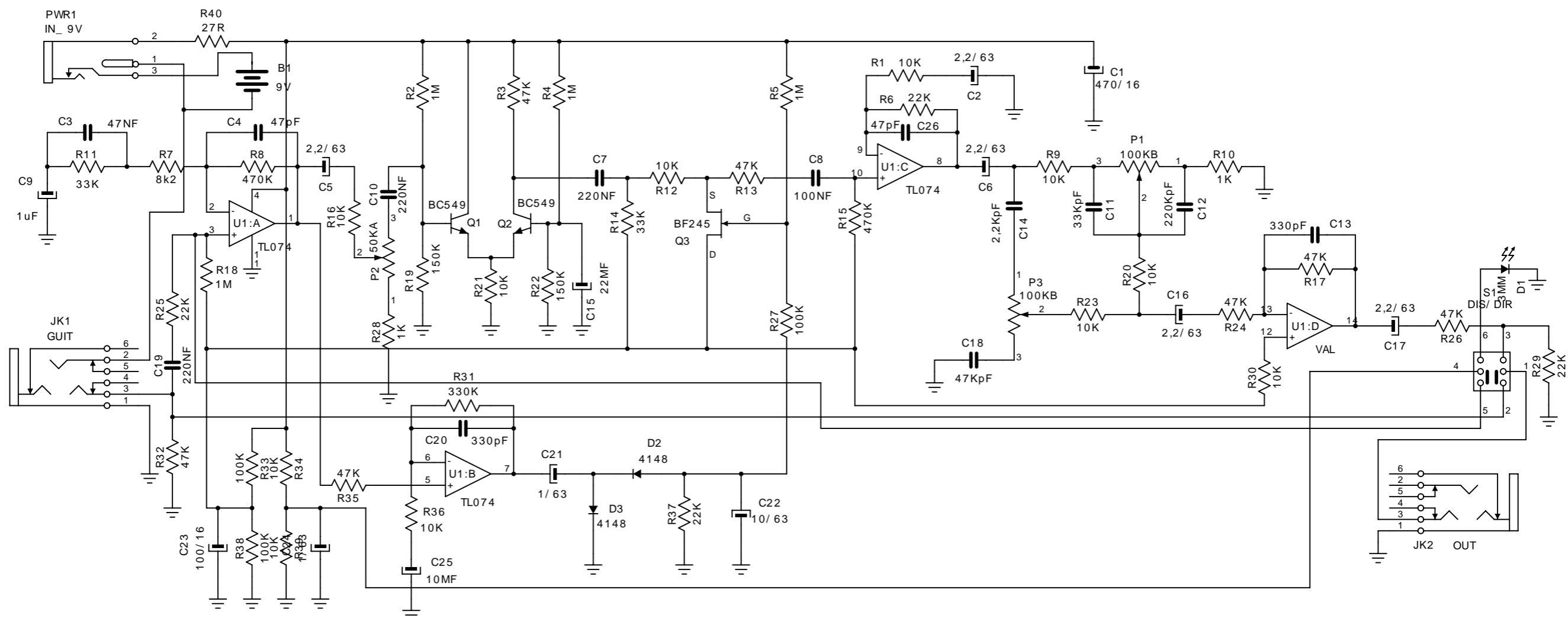
Title		
PEDAL CHORUS		
Size	Number	Rev
A2		
Date	02/04/2002	Drawn by JMR
Filename	chorus.S01	Sheet of



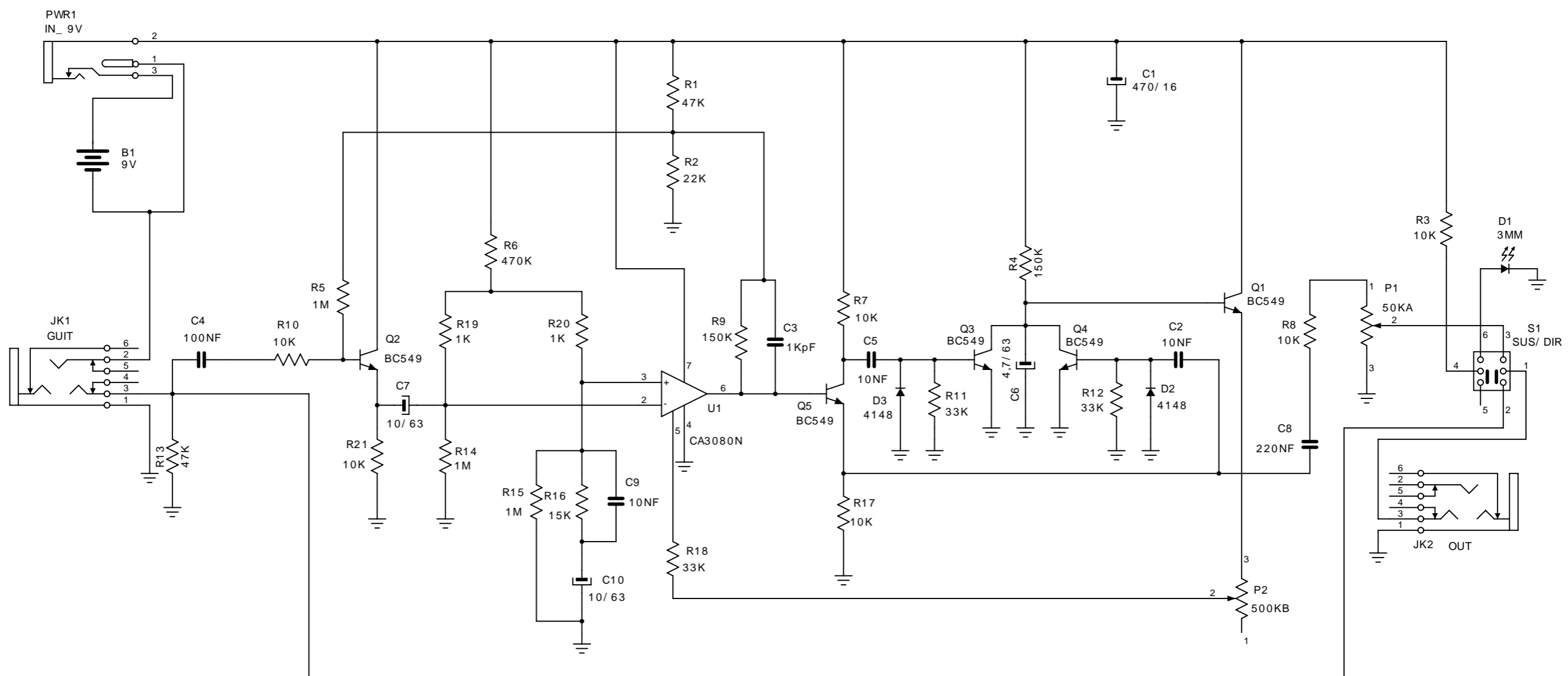
Title		
PEDAL FLANGER		
Size	Number	Rev
A2		
Date	26/ 09/ 2001	Drawn by JMR
Filename	FLANG_ PE.S01	Sheet of



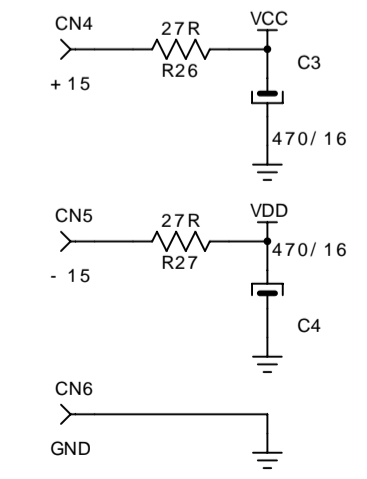
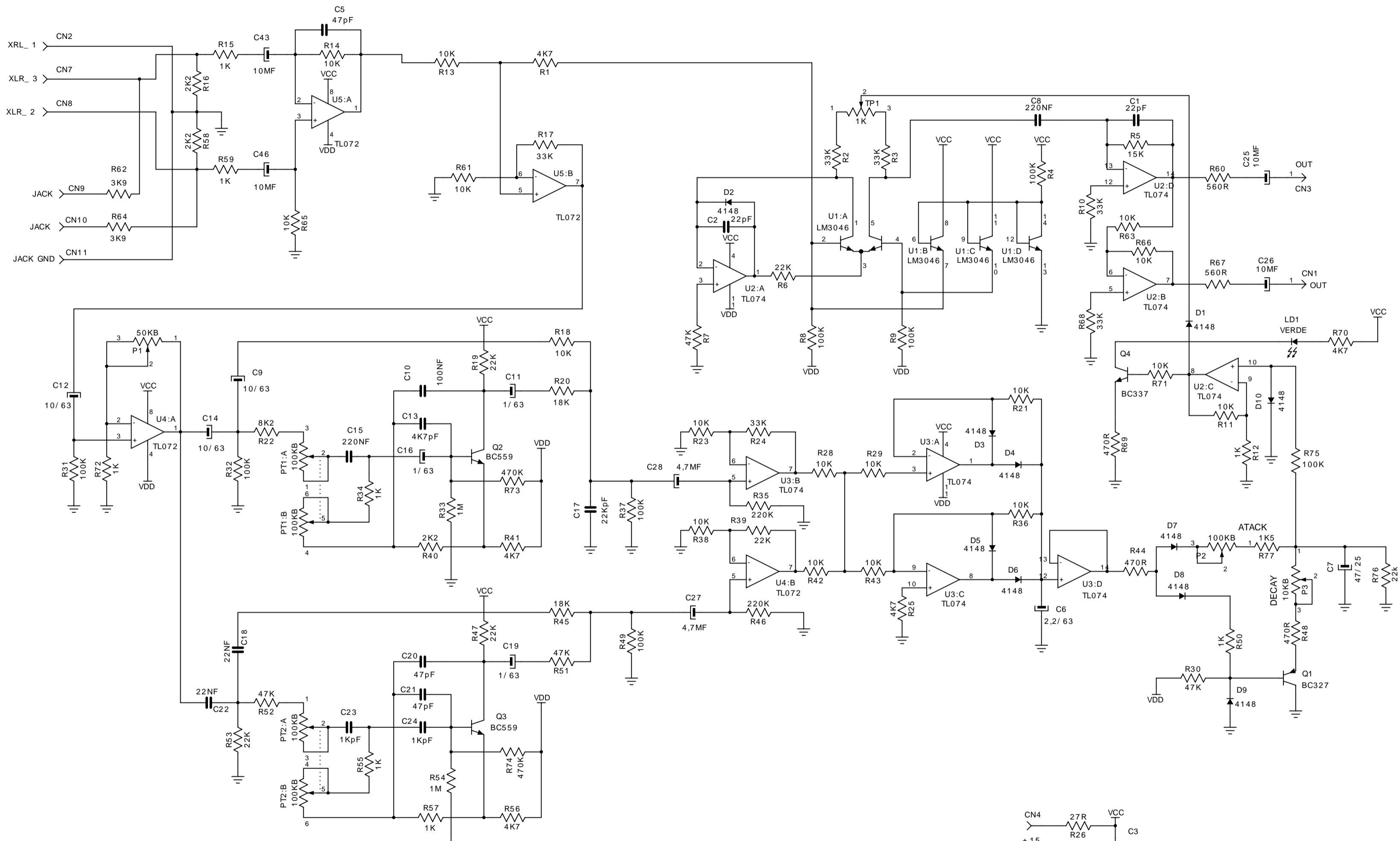
Title			OD-20 OVERDRIVE		
Size	Number			Rev	
A4	108				
Date	20/02/2002	Drawn by	EGS		
Filename			Sheet	of	



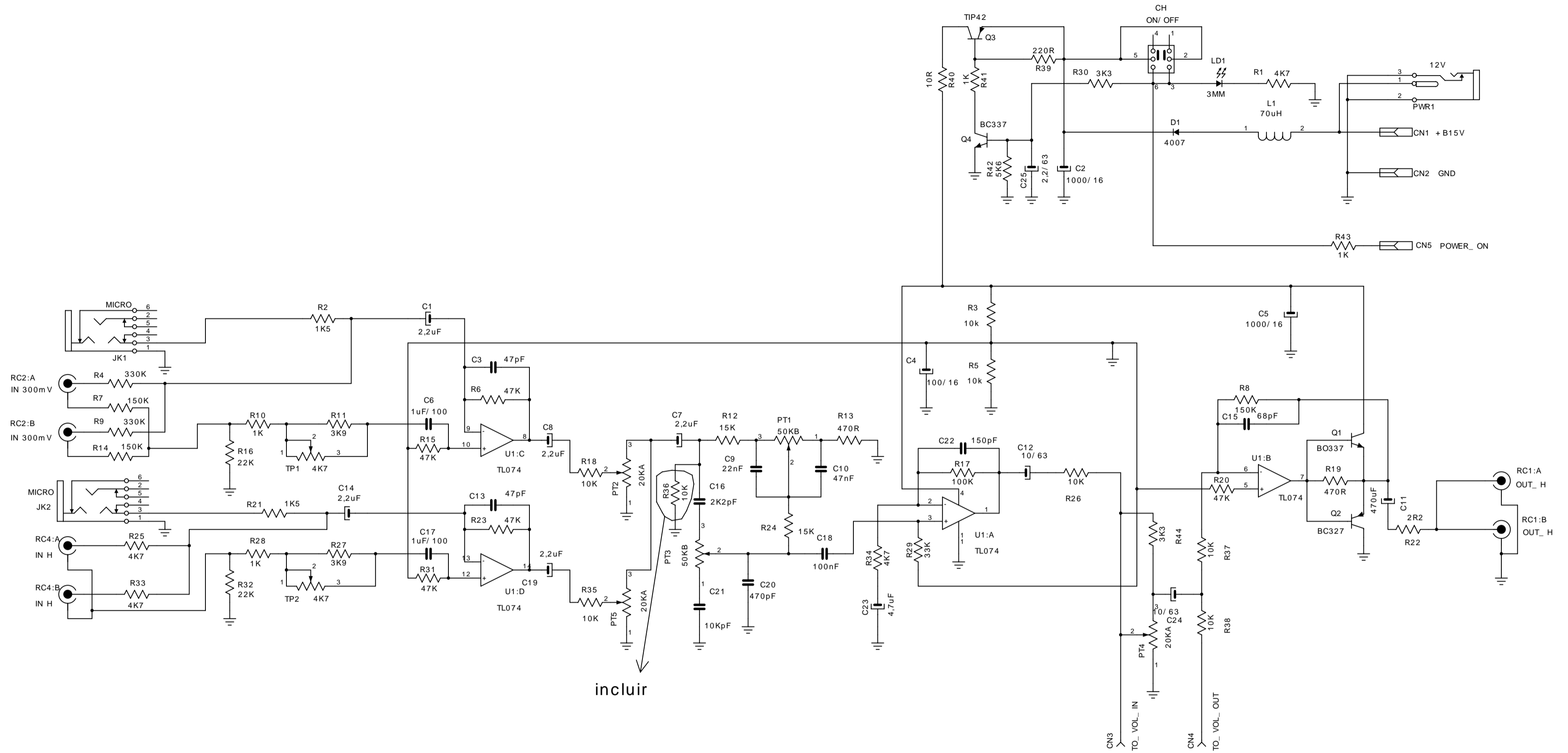
Title HM- 20 HEAVY METAL		
Size A3	Number HEAVY.S01	Rev
Date 02/ 10/ 01	Drawn by EGS	
Filename	Sheet of	



Title		CS-20		I	
Size	Number	SUSTAIN.S01		Rev	
Date		10/ 10/ 01		Drawn by EGS	
Filename				Sheet of	

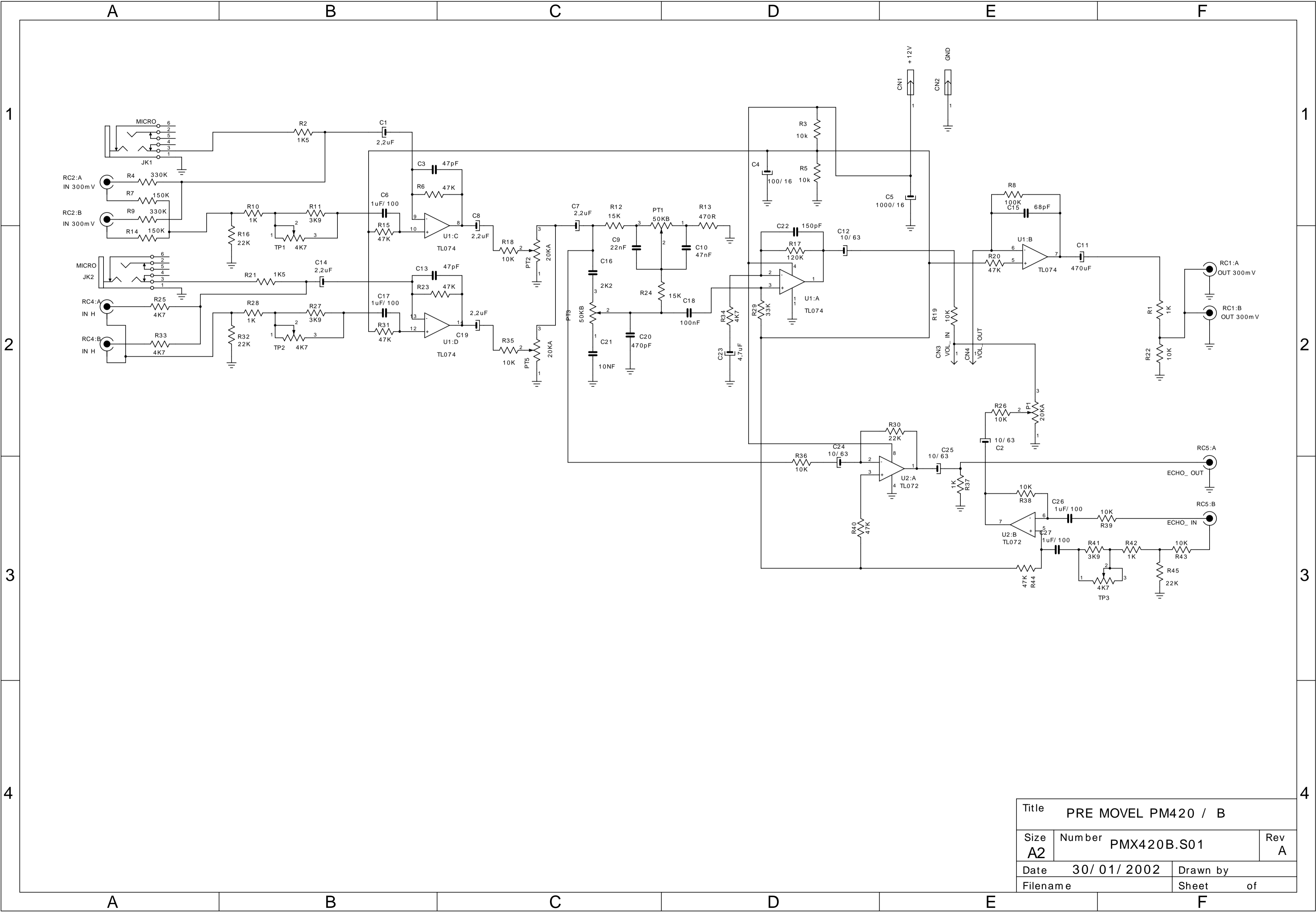


Title			QUADRIGATE		
Size	Number				Rev
A2	QUADGATE.S01				
Date				Drawn by	
Filename				Sheet	of

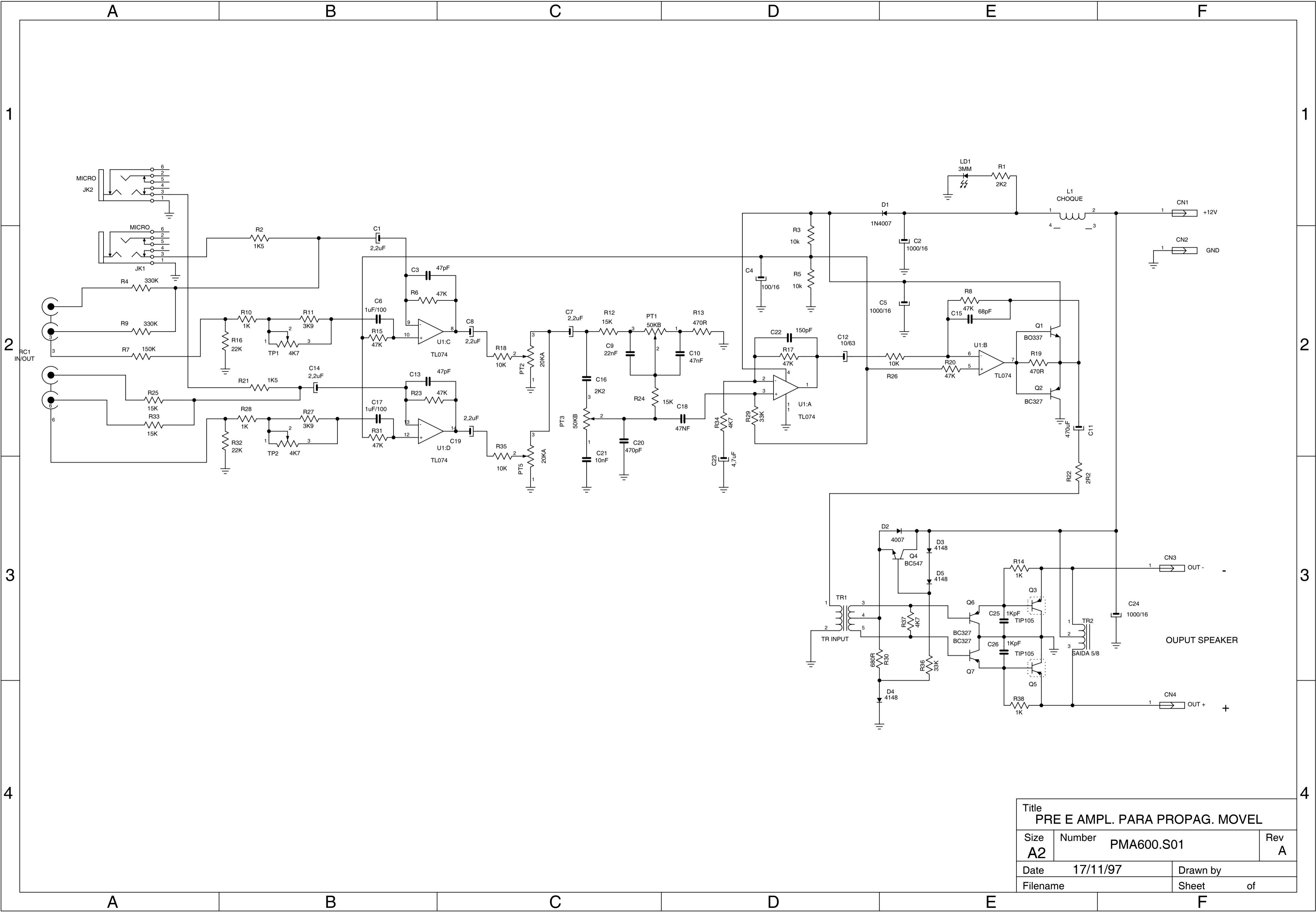


incluir

Title			PRE MOVEL PM- 420 / A		
Size	Number			Rev	
A2	PM420A.S01			A	
Date	17/ 11/ 97	Drawn by			
Filename		Sheet		of	



Title			PRE MOVEL PM420 / B		
Size	Number			Rev	
A2	PMX420B.S01				A
Date	30/ 01/ 2002	Drawn by			
Filename			Sheet	of	



Title PRE E AMPL. PARA PROPAG. MOVEL		
Size A2	Number PMA600.S01	Rev A
Date 17/11/97	Drawn by	
Filename	Sheet	of

A

B

C

D

1

1

2

2

3

3

4

4

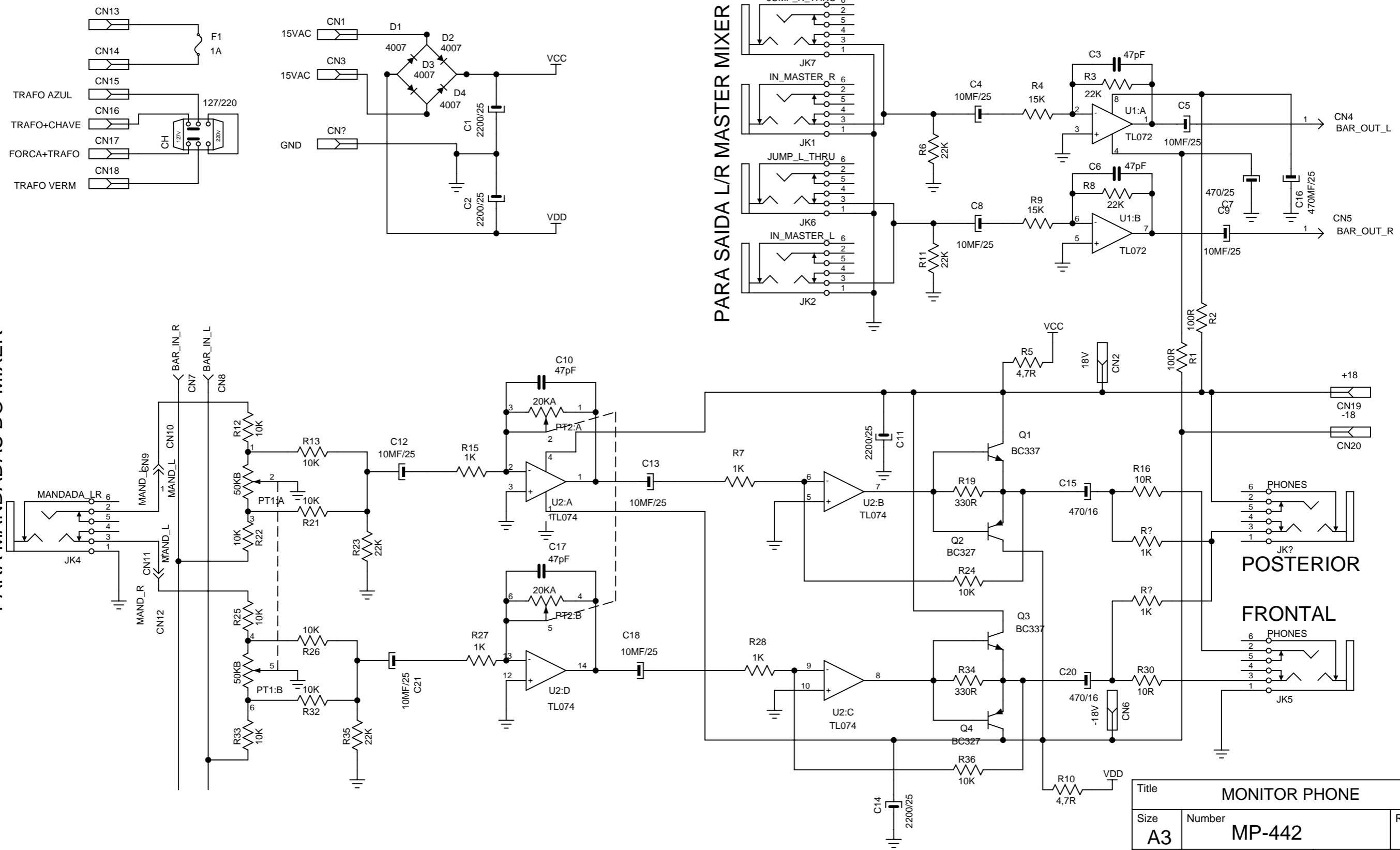
PARA MANDADAS DO MIXER

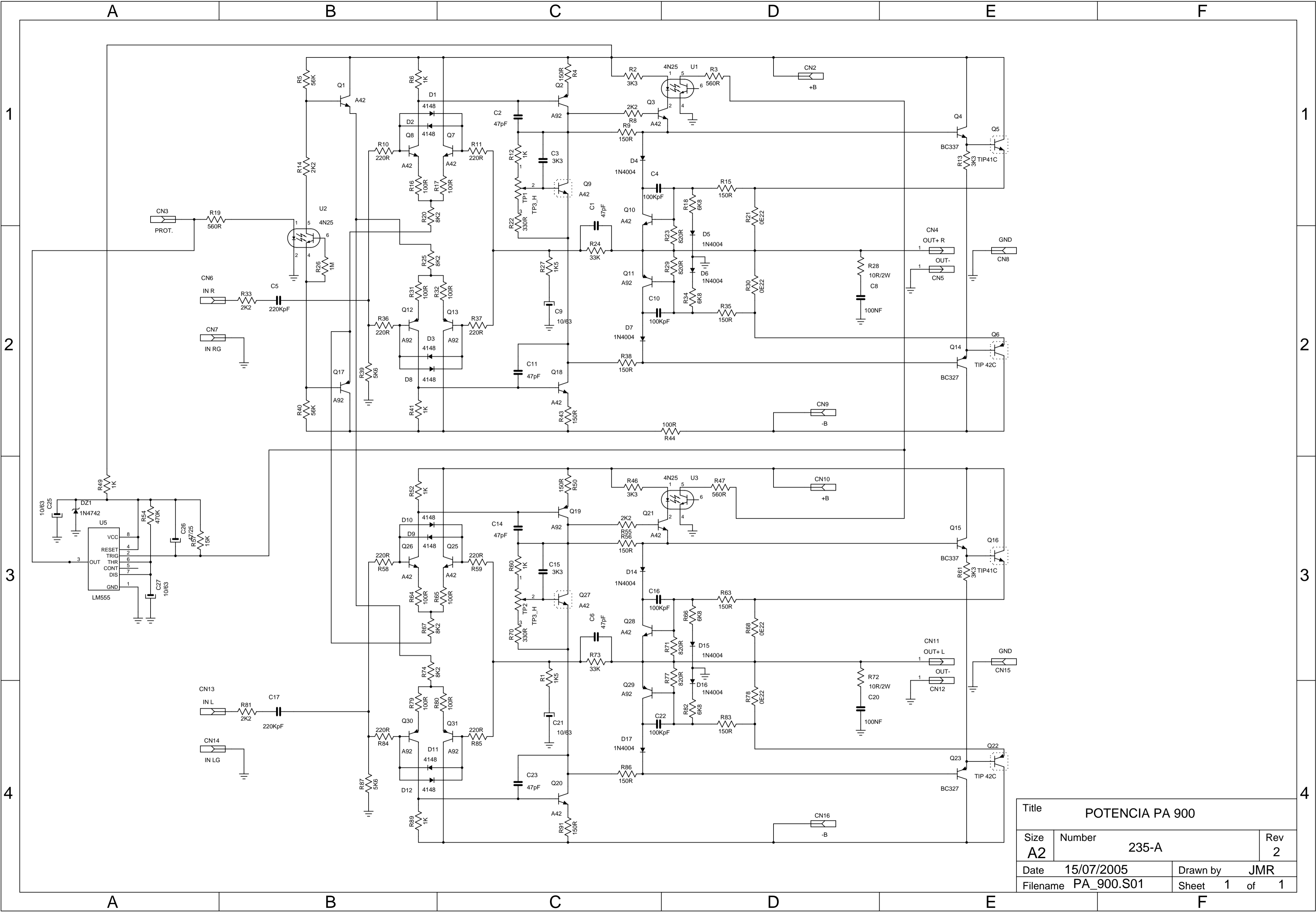
PARA SAIDA L/R MASTER MIXER

POSTERIOR

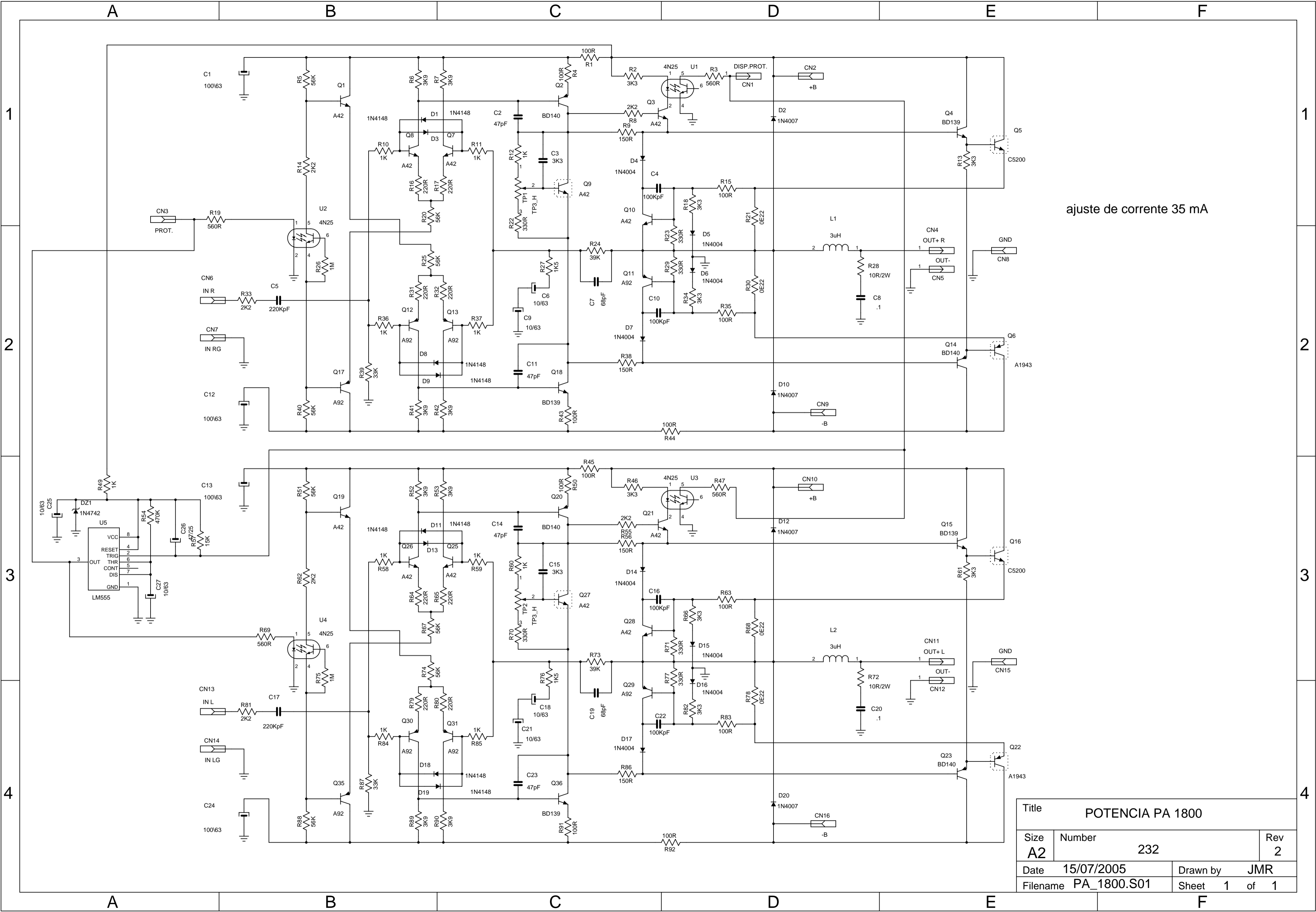
FRONTAL

Title			MONITOR PHONE		
Size	Number				Rev
A3	MP-442				
Date 18/01/2001			Drawn by EGS		
Filename PONTO.S01			Sheet of		



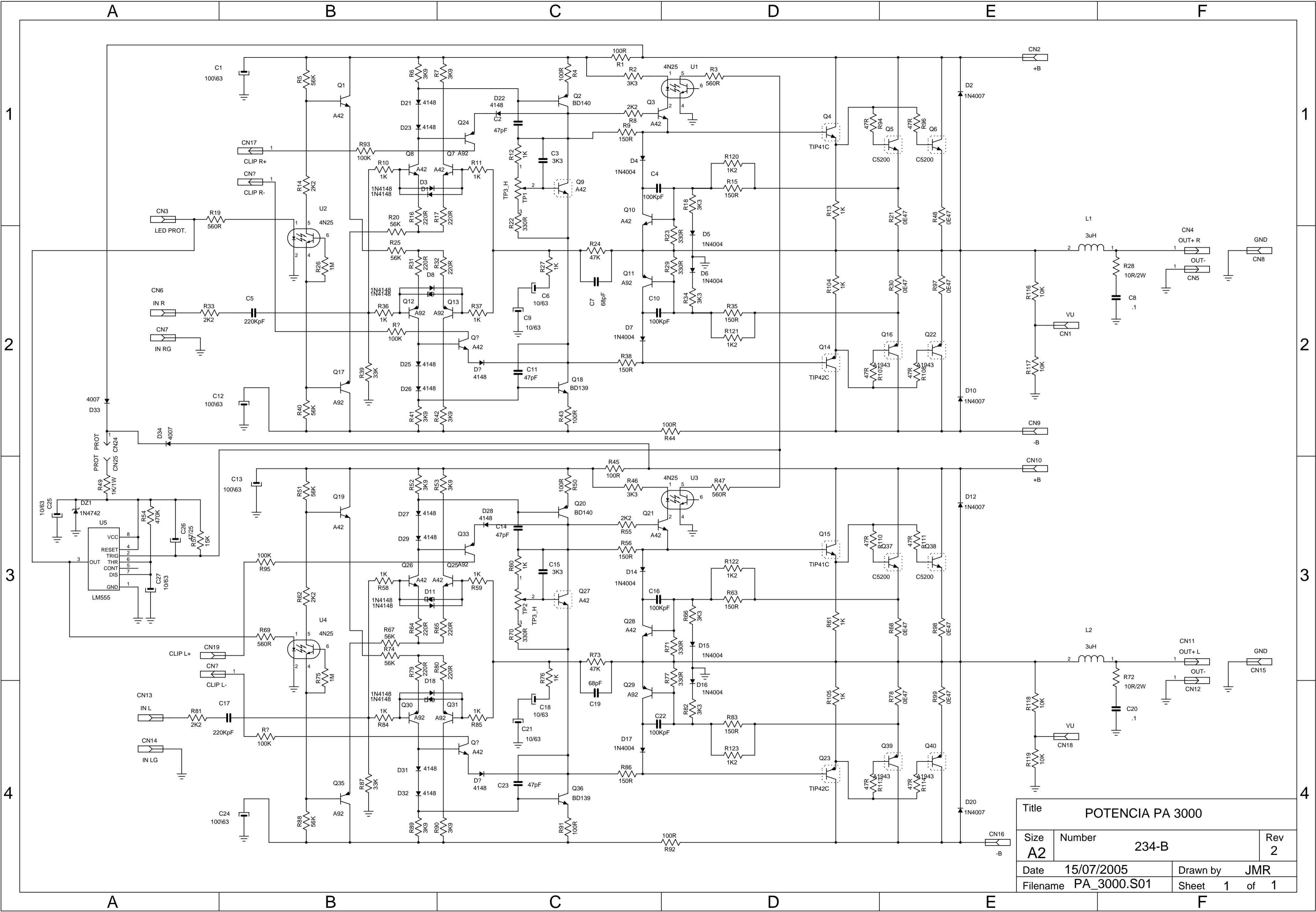


Title			POTENCIA PA 900		
Size	Number				Rev
A2	235-A				2
Date	15/07/2005	Drawn by	JMR		
Filename	PA_900.S01	Sheet	1	of	1

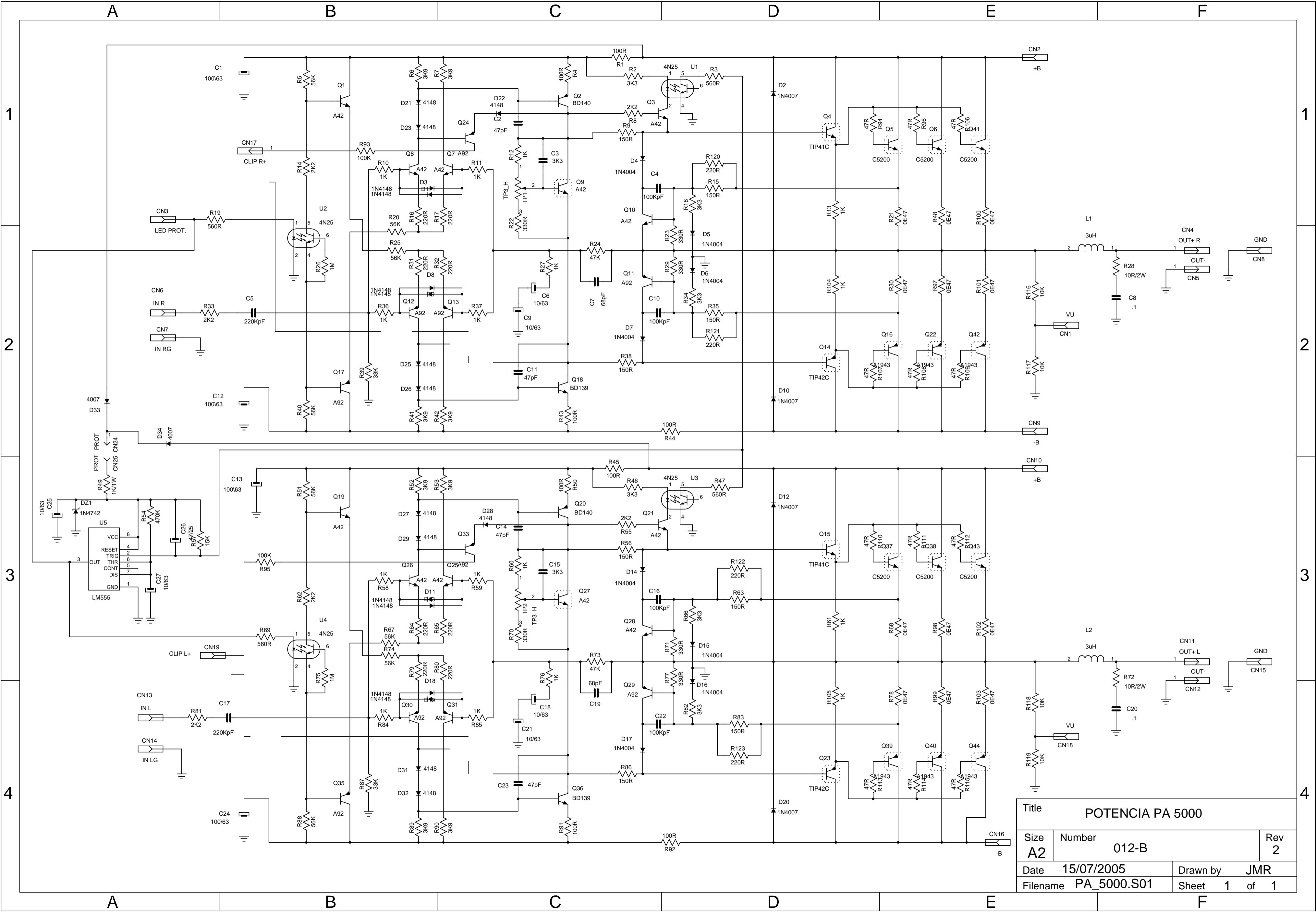


ajuste de corrente 35 mA

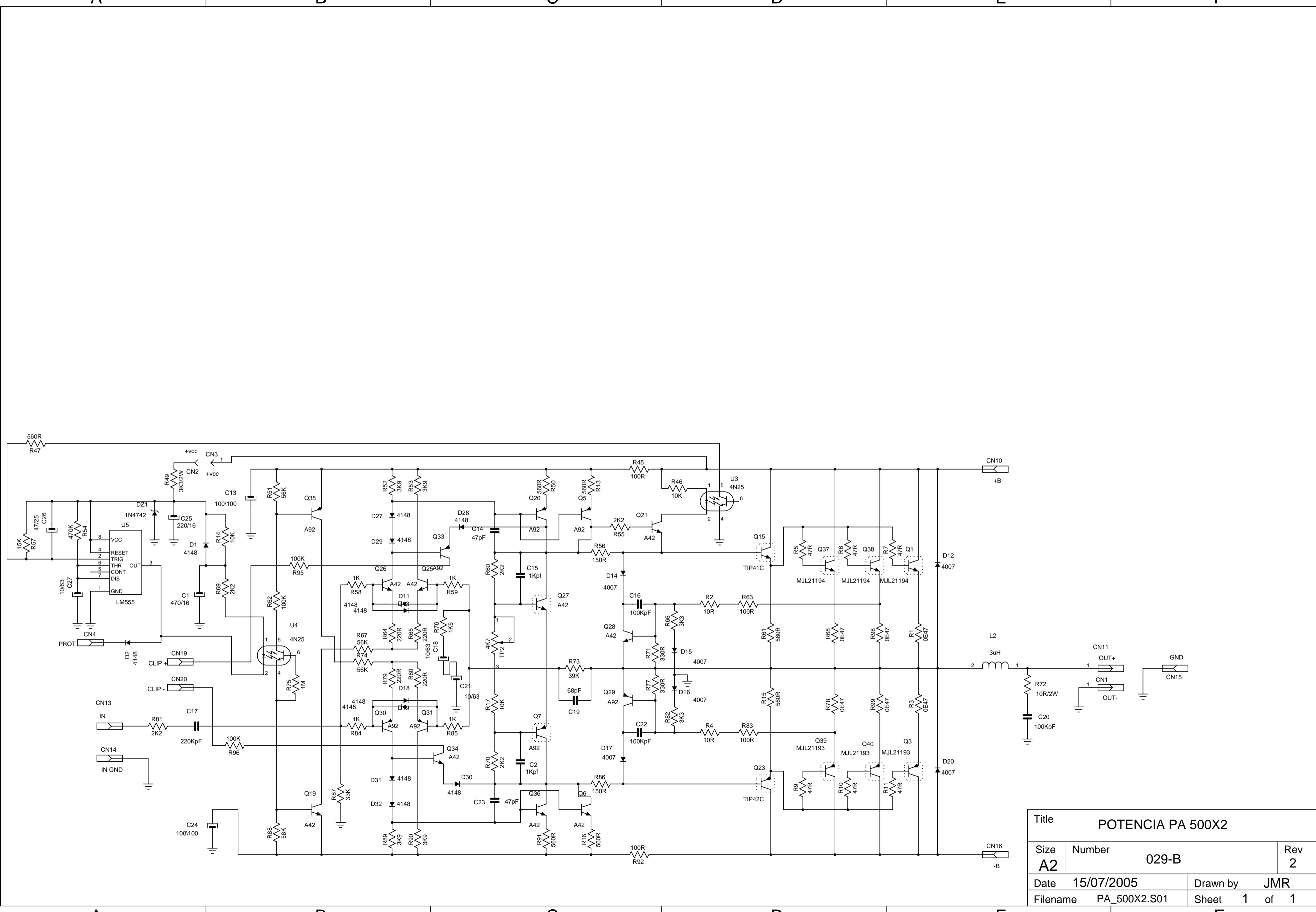
Title			POTENCIA PA 1800		
Size	Number				Rev
A2	232				2
Date	15/07/2005	Drawn by	JMR		
Filename	PA_1800.S01	Sheet	1 of 1		



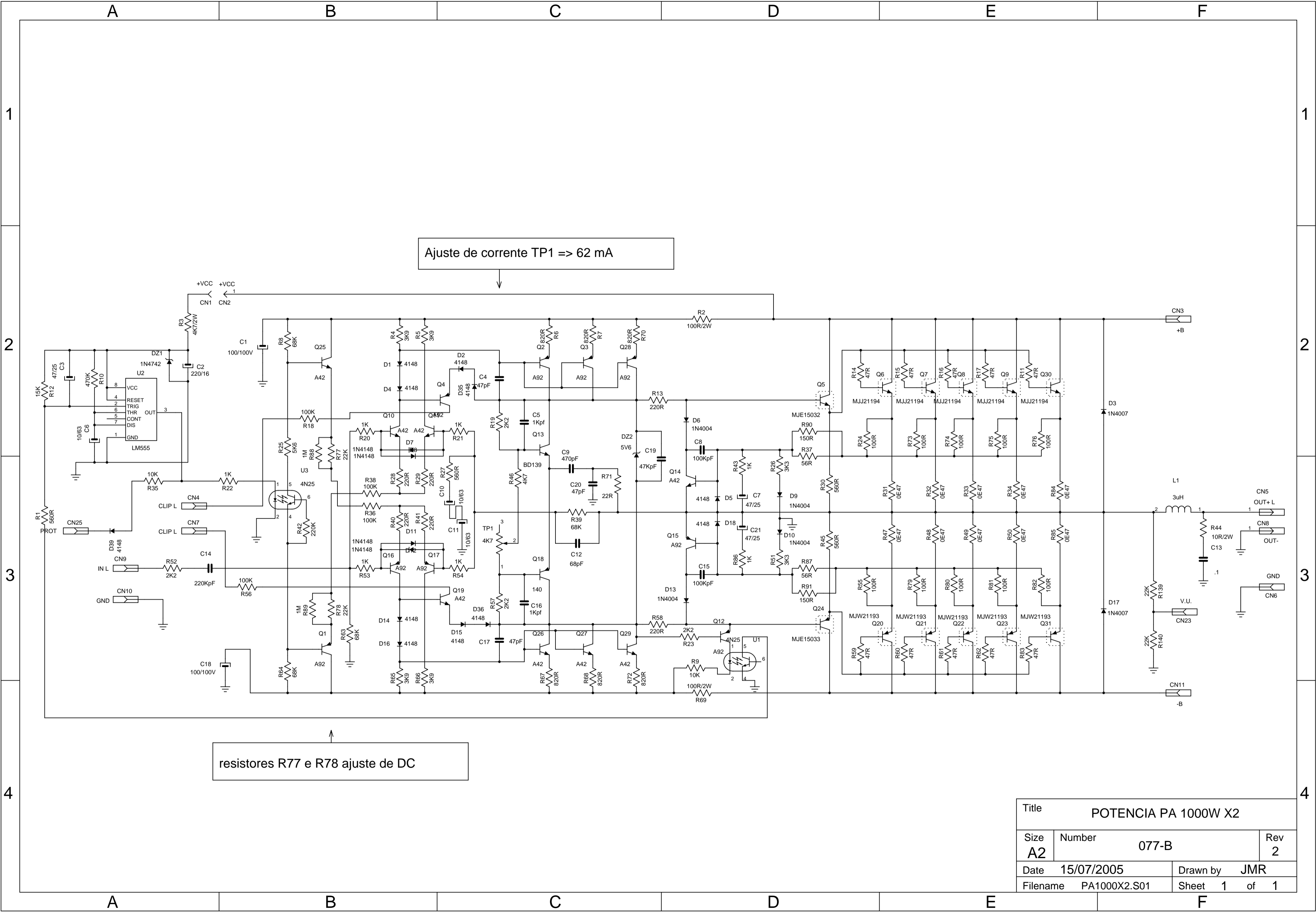
Title			POTENCIA PA 3000		
Size	Number				Rev
A2	234-B				2
Date	15/07/2005	Drawn by	JMR		
Filename	PA_3000.S01	Sheet	1 of 1		



Title			POTENCIA PA 5000		
Size	Number				Rev
A2	012-B				2
Date	15/07/2005	Drawn by	JMR		
Filename	PA_5000.S01	Sheet	1 of 1		



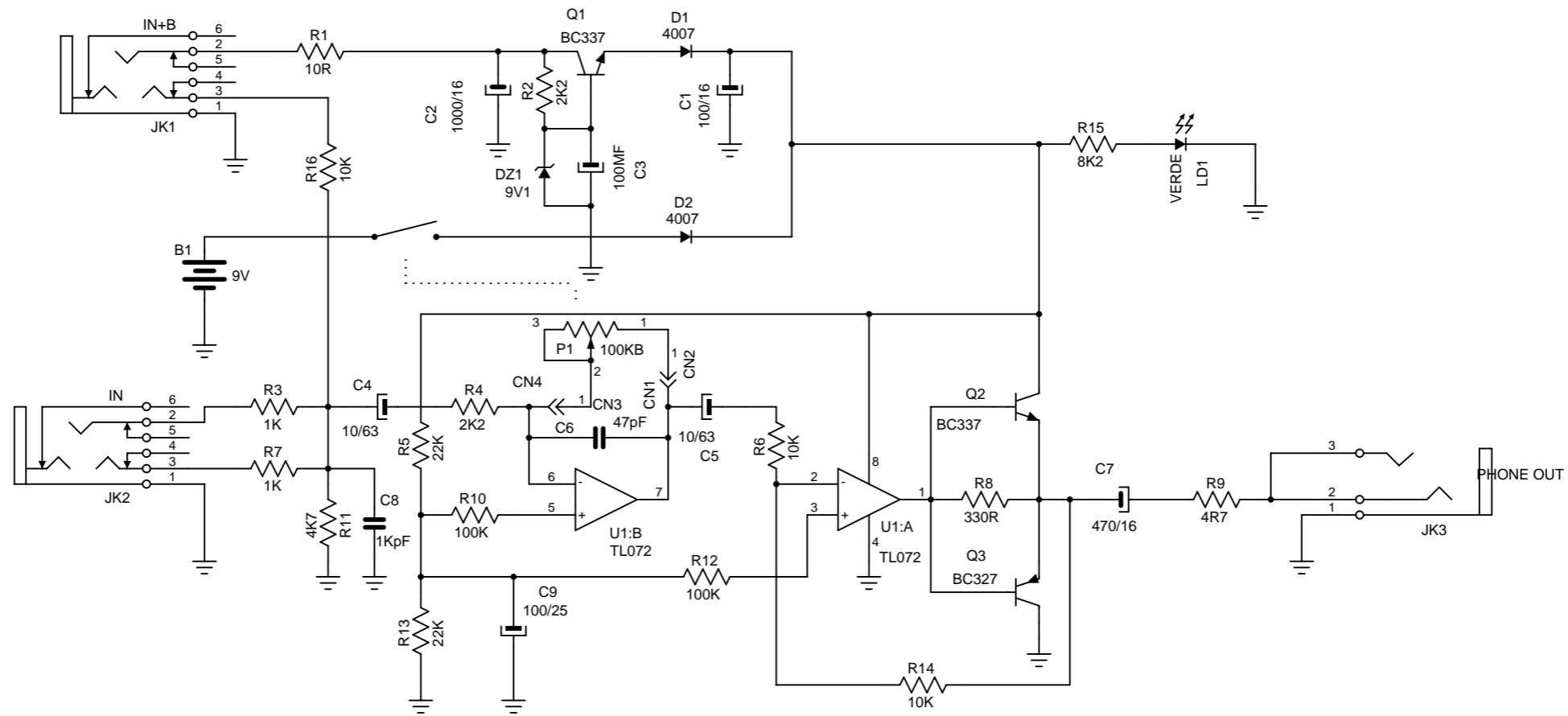
Title			POTENCIA PA 500X2		
Size	Number				Rev
A2	029-B				2
Date	15/07/2005	Drawn by	JMR		
Filename	PA_500X2.S01	Sheet	1 of 1		



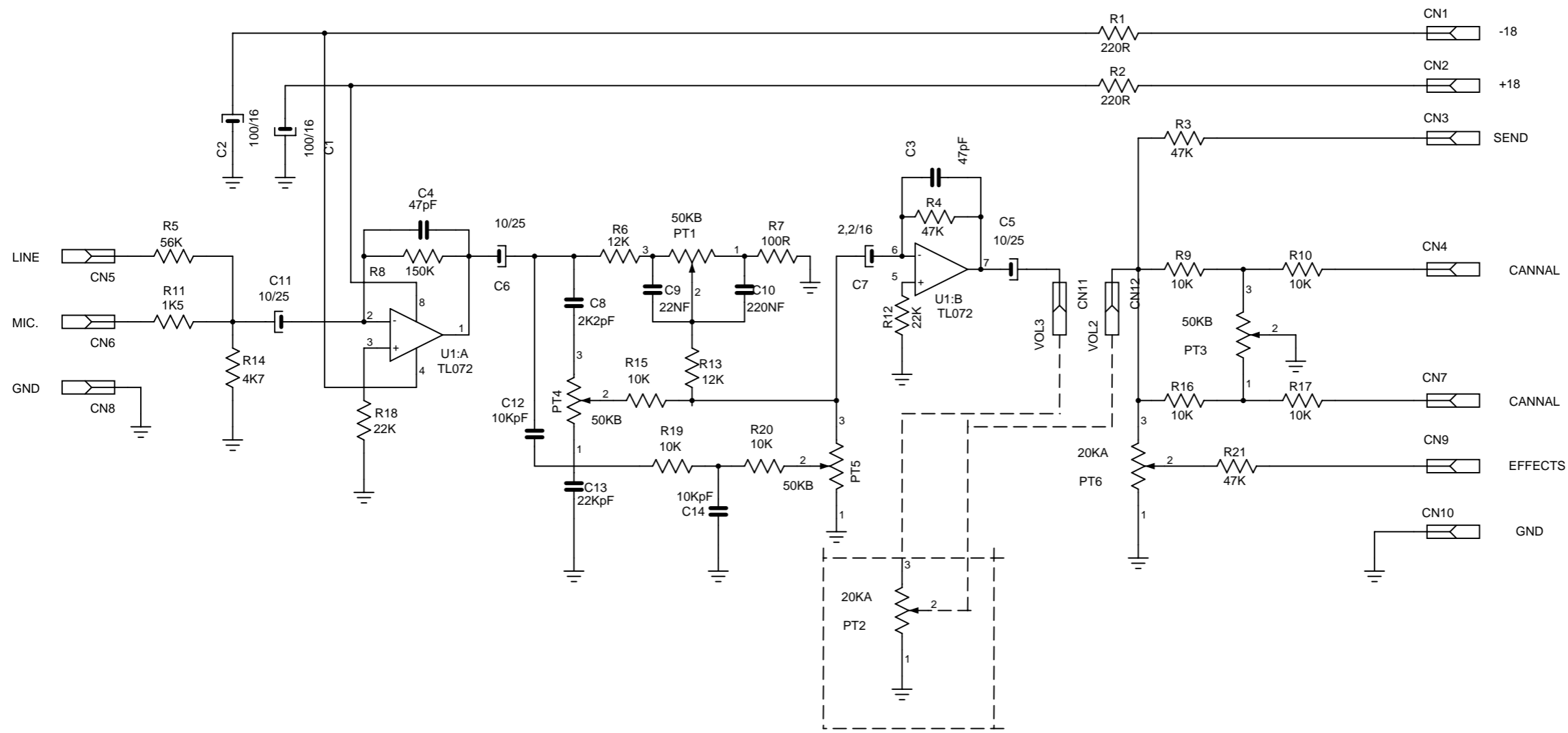
Ajuste de corrente TP1 => 62 mA

resistores R77 e R78 ajuste de DC

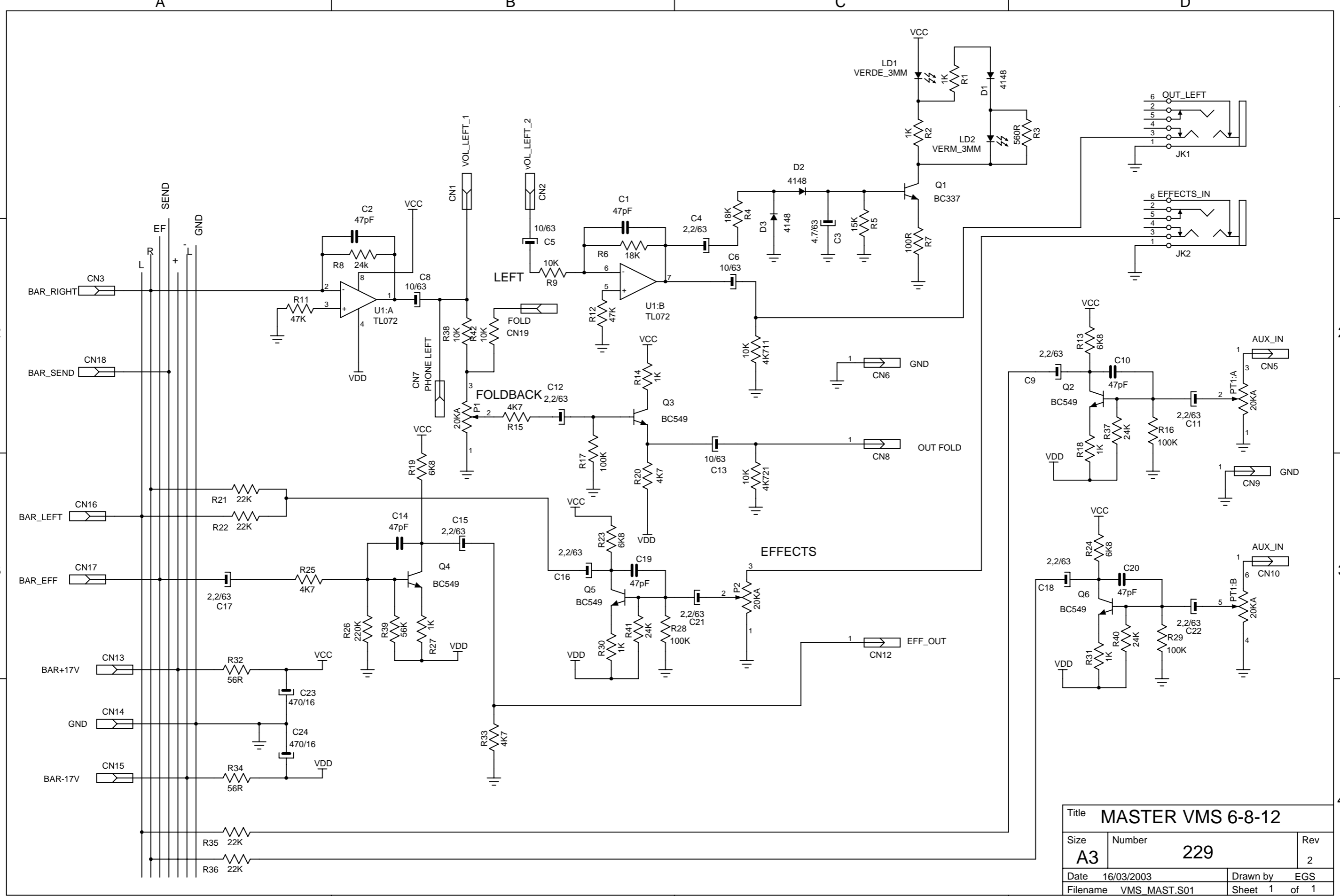
Title			POTENCIA PA 1000W X2		
Size	Number				Rev
A2	077-B				2
Date	15/07/2005	Drawn by	JMR		
Filename	PA1000X2.S01	Sheet	1	of 1	



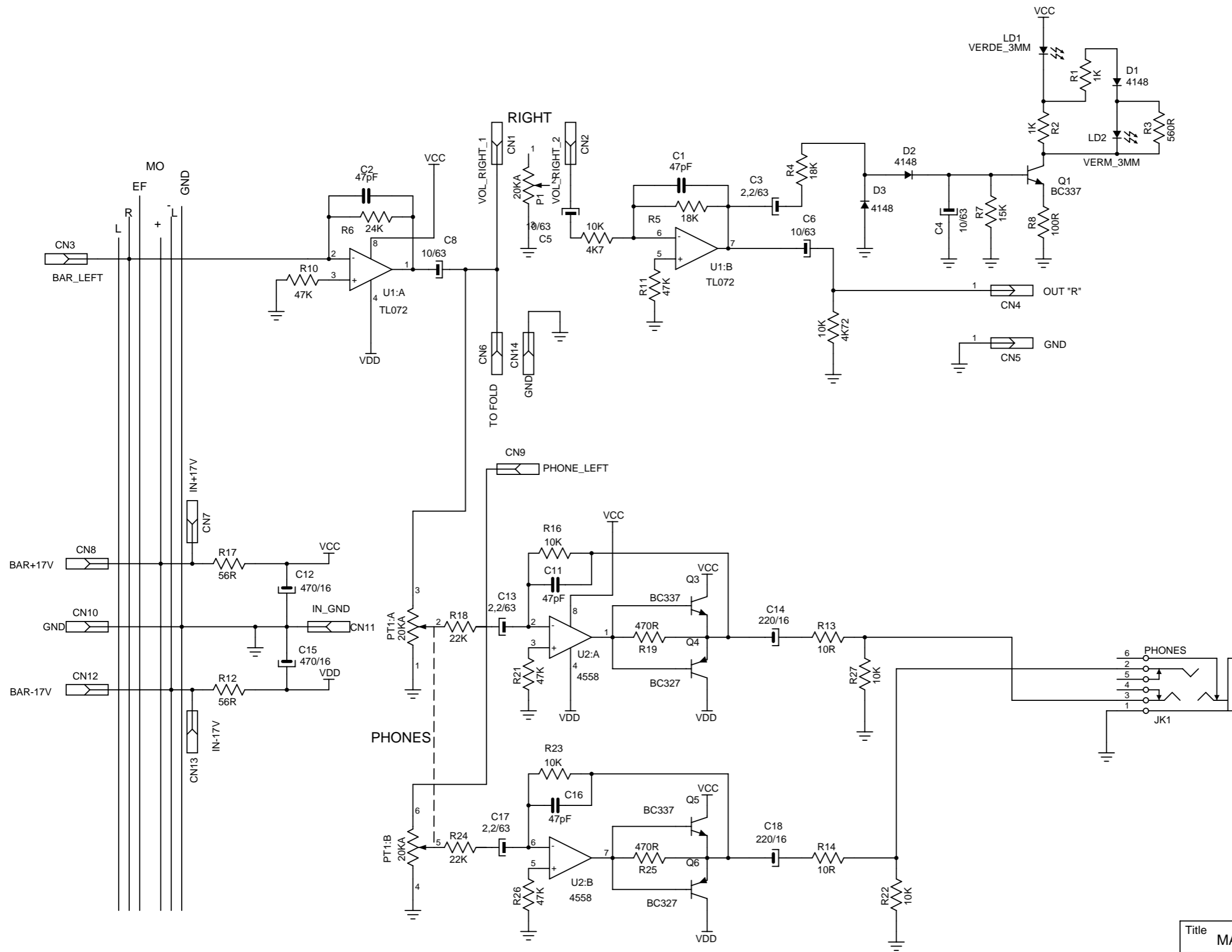
Title		Personal Amplifier	
Size	Number	Rev	
A3			
Date	26/01/01	Drawn by	EGS
Filename	PM_1.S01	Sheet	of



Title			CANAL MIXER 6 - 8 - 12		
Size	Number	Rev			
A3	228	2			
Date	20/07/2005	Drawn by	EGS		
Filename	CAN_VMS.S01	Sheet	1 of 1		



Title			MASTER VMS 6-8-12		
Size	Number	Rev			
A3	229	2			
Date	16/03/2003	Drawn by	EGS		
Filename	VMS_MAST.S01	Sheet	1 of 1		



Title		
MASTER PHONES VMS 6-8-12		
Size	Number	Rev
A3	230	2
Date	16/03/2003	Drawn by
Filename	VMS_PHON.S01	EGS
Sheet 1 of 1		