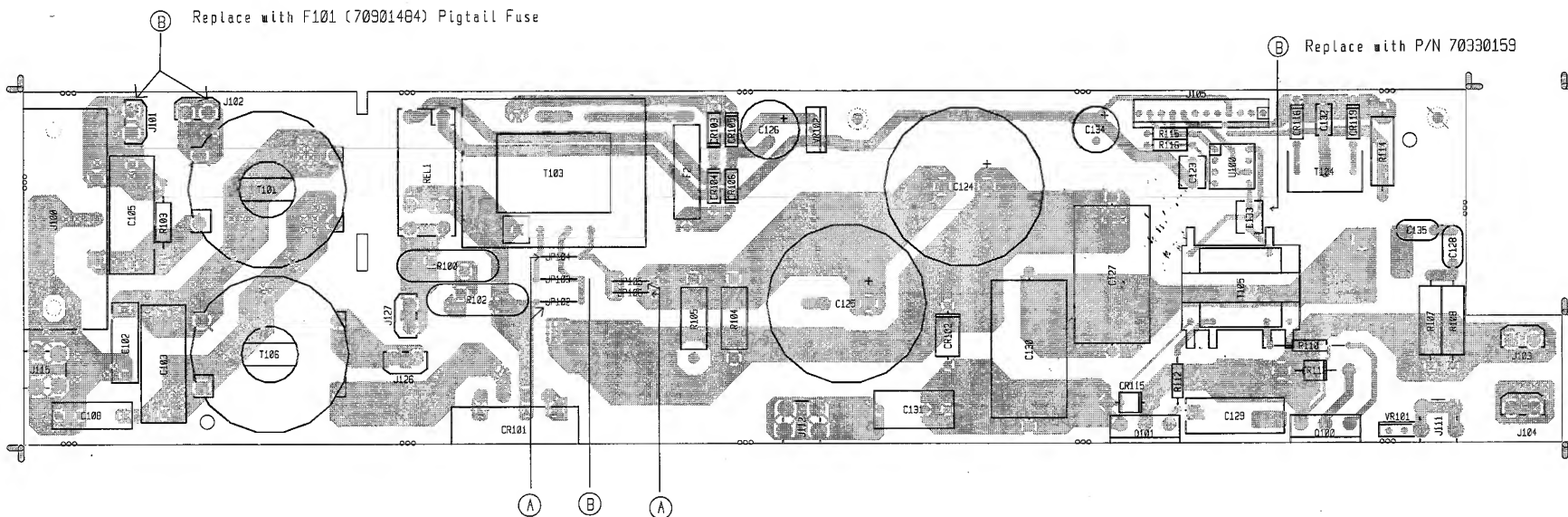


BOARD NAME: CS800SW PWR  
 PART DESCRIPTION AND  
 \*\* QTY NAME VALUE NUMBER DEVICE DESIGNATIONS \*\*\*\*\*

QTY	NAME	VALUE	NUMBER	DEVICE DESIGNATIONS	*****
				C100, C114, C117	
1	11.5KP1	11.5KP1	70240053	11.5K-1/4W-1%---MF-T&R	
				R140	
2	120	120	70240011	120---1/4W-5%---CF-T&R	
				R178, R182	
1	13080	13080	70413080	LM3080N CUSTOM SELECTED	
				U104	
2	13886	13886	70413886	SZ-13886-2 DUAL DIODE	
				CR127, CR128	
1	14.3KP1	14.3KP1	70241009	14.3K-1/4W-1%---MF-T&R	
				R142	
2	150	150	70240001	150---1/4W-5%---CF-T&R	
				R172, R175	
1	150K	150K	70240035	150K-1/4W-5%---CF-T&R	
				R102	
1	169KP1	169KP1	70241079	169K-1/4W-1%---MF-T&R	
				R123	
13	1K	1K	70240017	1K---1/4W-5%---CF-T&R	
				R120, R136, R160, R168, R169, R171, R174, R189, R190, R191, R192, R193, R194	
2	1KW5	1KW5	70250060	1K-5W-10%---WW-AXL	
				R151, R152	
2	1M	1M	70240039	1M---1/4W-5%---CF-T&R	
				R125, R129	
2	1N4003	1N4003	70464003	1N4003 200V SILICON DIODE	
				CR129, CR143	
32	1N4148	4148	70464148	1N4148 75V 10MA SILICON DIODE	
				CR101, CR102, CR103, CR104, CR105, CR106, CR107, CR109, CR110, CR111, CR112, CR113, CR114, CR115, CR116, CR117, CR118, CR119, CR121, CR122, CR123, CR124, CR125, CR130, CR132, CR133, CR134, CR135, CR136, CR137, CR138, CR139	
1	1N751A	1N751A	70400751	1N751A 5.1V, 4W, 5% ZENER DIODE	
				CR120	
1	1N757A	1N757A	70415239	1N5239C 9.1V 4W 2% ZENER	
				CR142	
4	2.2K	2.2K	70240020	2.2K-1/4W-5%---CF-T&R	
				R106, R107, R108, R149	
1	2.2M	2.2M	70240040	2.2M-1/4W-5%---CF-T&R	
				R115	
3	2.2R50NP	2.2R50NP	70320184	2.2MF---20%---50VDC---NP-T&A	
				C115, C116, C148	
3	2.7K	2.7K	70240021	2.7K-1/4W-5%---CF-T&R	
				R121, R135, R150	
1	2.8KP1	2.8KP1	70241007	2.8K-1/4W-1%---MF-T&R	
				R141	
1	21KP1	21KP1	70240120	21K 1% 1/4W MF T&R	
				R145	
1	220K	220K	70240036	220K-1/4W-5%---CF-T&R	
				R122	
4	22K	22K	70240029	22K-1/4W-5%---CF-T&R	
				R100, R112, R117, R126	
5	22R50	22R50	70320181	22MF---20%---50VDC---EL-T&A	
				C122, C123, C138, C139, C152	
4	22W1	22W1	70210001	22---1W-5%---MO-T&R	
				R185, R187, R188, R203	
2	235102AF	235102AF	70240216	1K TEMP SISTOR HAND-INSERT MULT-ROTATE FENWAL	
				R206, R207	
1	267P1	267P1	70241006	267---1/4W-1%---MF-T&R	
				R164	
1	270	270	70240013	270---1/4W-5%---CF-T&R	
				R147	
2	270PF	270PF	70340057	270PF---10%---50VDC---T/C---T&R	
				C105, C129	
9	2N3919	3919	70463919	SKA-3919 TO92 NPN TRANS T&A	
				Q100, Q101, Q105, Q107, Q108, Q109, Q110, Q117, Q140	
6	2N5400	5400	70460761	761/2N5400 120V 10MA TO-92 PNP T&A	
				Q103, Q106, Q111, Q112, Q118, Q119	
3	2N5550	5550	70465550	2N5550 TO-92 NPN TRANS T&A	
				Q114, Q115, Q116	
1	330	330	70240014	330---1/4W-5%---CF-T&R	
				R186	
4	33K	33K	70240030	33K-1/4W-5%---CF-T&R	
				R101, R118, R134, R163	
1	39PF	39PF	70340052	39PF-----50VDC---T/C---T&R	
				C126	
1	3SRHDLR	73717013	73717013	3-ST-SQ-P-F-LK-HD-100	
				P108	
6	4.7K	4.7K	70240023	4.7K-1/4W-5%---CF-T&R	
				R119, R157, R159, R162, R177, R183	
3	40.2KP1	40.2KP1	70240047	40.2K-1/4W-1%---MF-T&R	
				R155, R156, R210	
3	4560	4560	70414560	4560 DUAL OP AMP IC	
				U101, U102, U103	
3	470	470	70240015	470---1/4W-5%---CF-T&R	
				R179, R180, R213	
2	470K	470K	70240038	470K-1/4W-5%---CF-T&R	
				R212, R215	
1	470PF	470PF	70340058	470PF---10%---50VDC---T/C---T&R	
				C153	





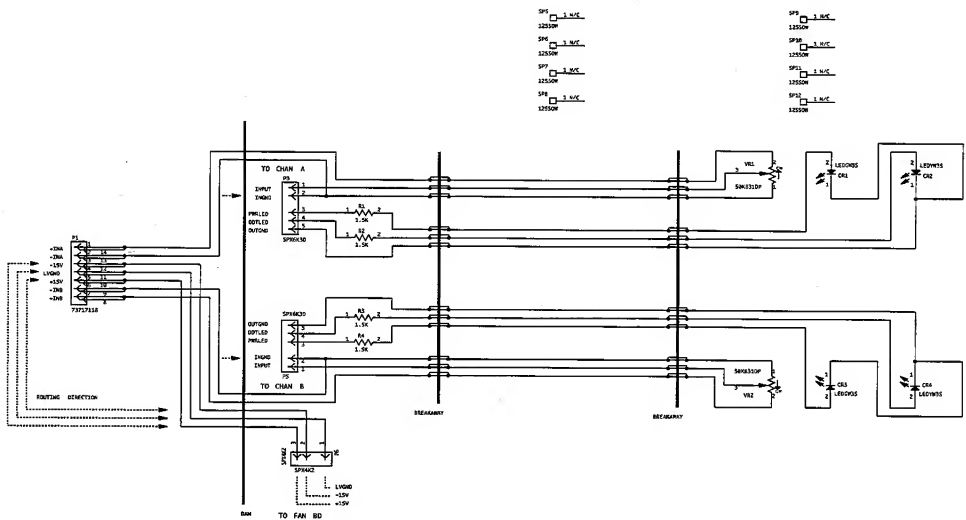


Ⓑ Replace with F101 (70901404) Pigtail Fuse

Ⓑ Replace with P/N 70330159

Ⓐ Ⓑ Ⓐ

Ⓐ - 120 Volt CS800S E. M. I.  
 Ⓑ - 230 Volt



SP1 1.5K  
1250W  
SP4 1.5K  
1250W  
SP7 1.5K  
1250W  
SP8 1.5K  
1250W

SP2 1.5K  
1250W  
SP3 1.5K  
1250W  
SP11 1.5K  
1250W  
SP12 1.5K  
1250W

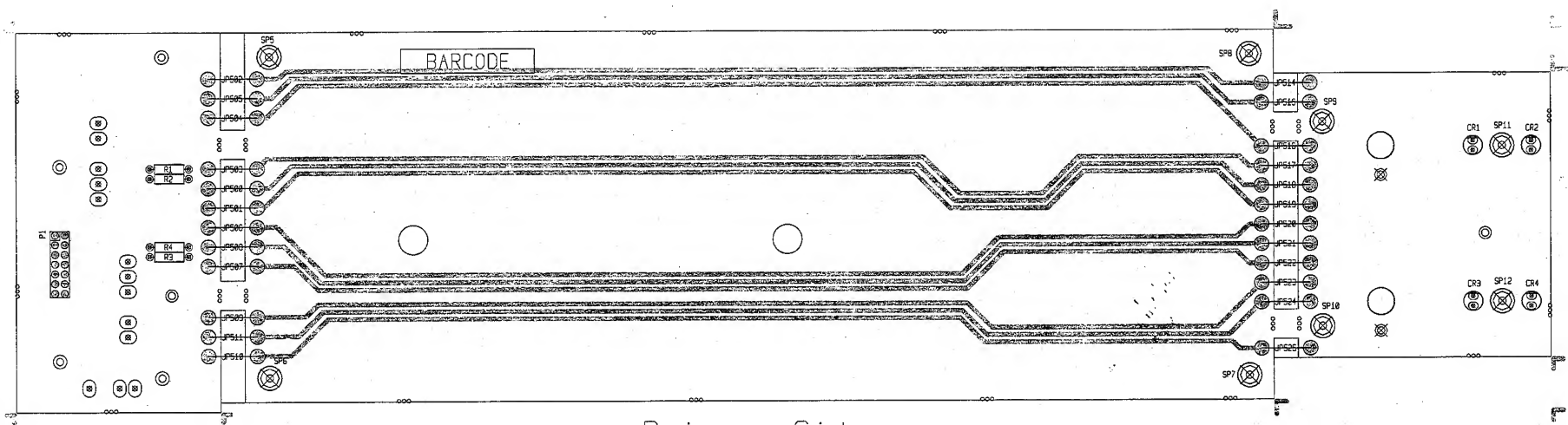
BOARD NAME: SC800SW INPUT/LEVEL

QTY.	NAME	VALUE	PART NUMBER	DESCRIPTION AND DEVICE DESIGNATIONS
1	LEDGWS	LEDGWS	70450046	GREEN T-1 LED W/ .300" SPACER T&A CR1
1	LEDYWS	LEDYWS	70450047	YELLOW T-1 LED W/ .300" SPACER T&A CR2
1	LEDGWS	LEDGWS	70450046	GREEN T-1 LED W/ .300" SPACER T&A CR3
1	LEDYWS	LEDYWS	70450047	YELLOW T-1 LED W/ .300" SPACER T&A CR4
1	14DRHDR	73717040	73717040	CONN 14-PIN 0.100 H P1
2	SPX6K3D	SPX6K3D	XXXXXXX	5 EACH OF STAKE PINS P3, P5
1	SPX4K2	SPX4K2	XXXXXXX	3 EACH OF STAKE PINS P6
4	1.5K	1.5K	70240018	1.5K-1/4W-5%—CF-T&R R1, R2, R3, R4
8	1250W	70900788	70900788	SPACER, 1/8,R(84), .187 SWAGE ALUM. SP5, SP6, SP7, SP8, SP9, SP10, SP11, SP12
2	50KB31DP	71190138	71190138	SOK LINEAR 31 DBYENT/WIRE TERMINAL VRL1, VRL2

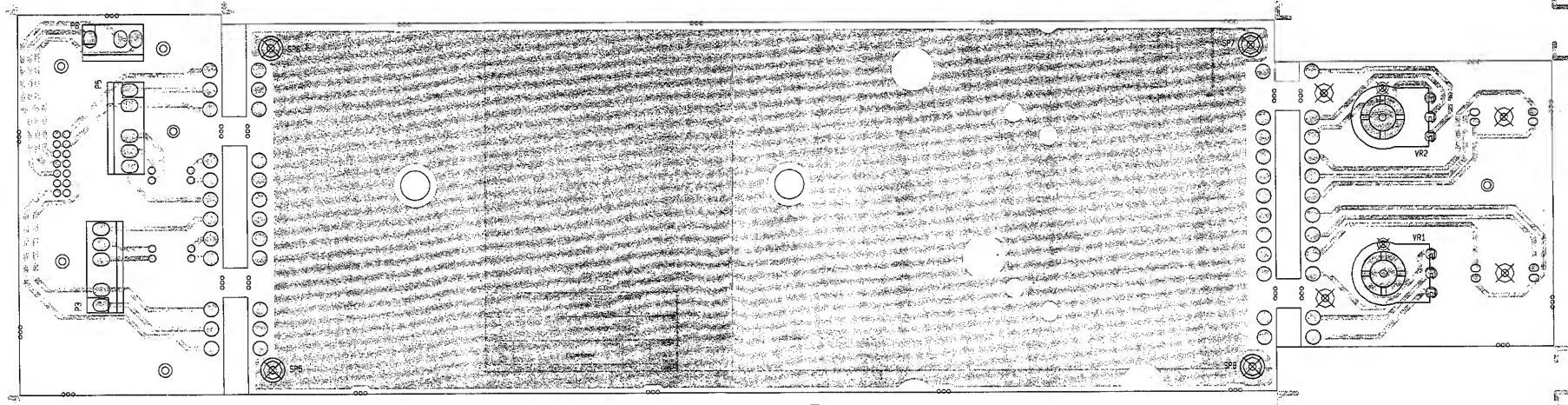
Changed to pin header to rejection type  
REVISION USE RANG LAB'S

PEAVEY ELECTRONICS CORP.			
711 A STREET			
MERRILL, MISSISSIPPI, MISS.			
TELE	CS800SW INPUT/LEVEL BD		
SIZE	DATE	REVISION	REV
C		R1500081	E
DATE	1-22-56		SHEET 1 OF 1

"COMPAG PROPRIETARY INFORMATION"



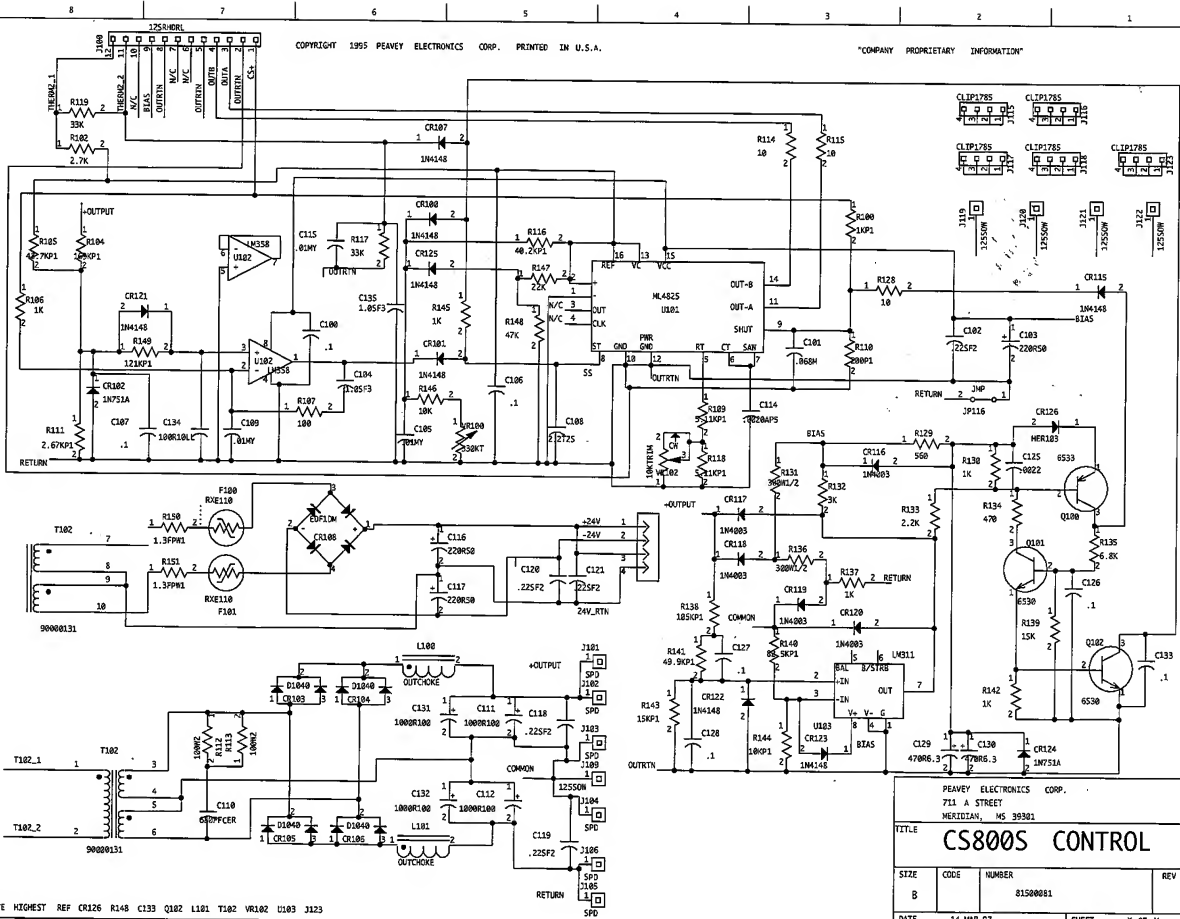
Primary Side



Secondary Side

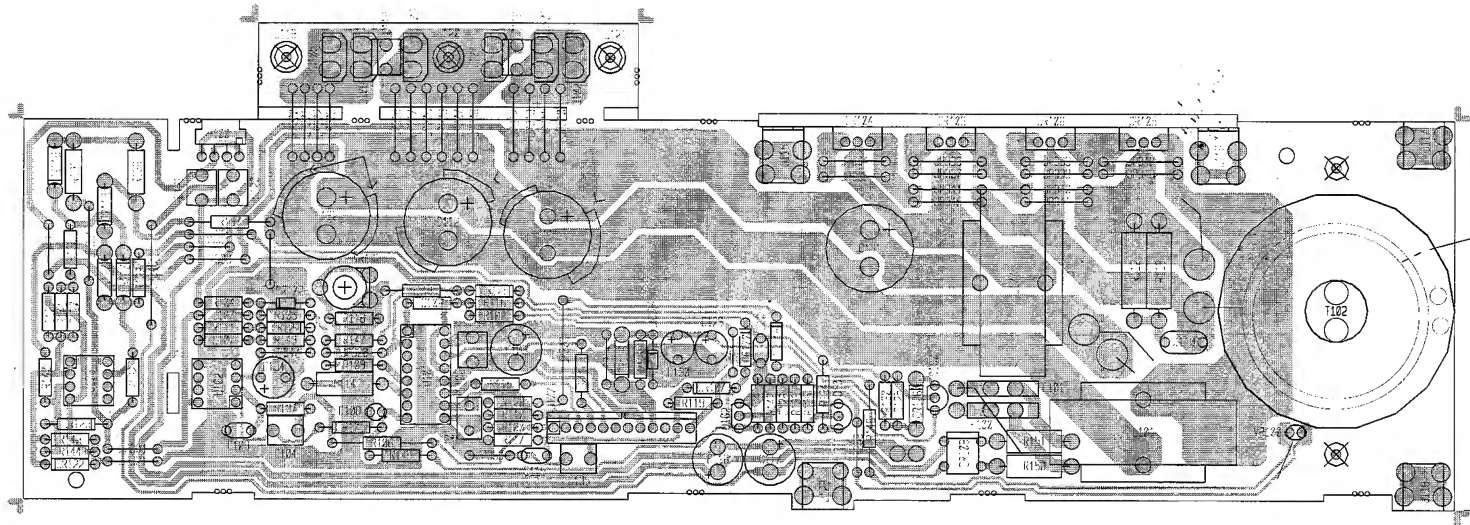
CS800SW Input / Level





NOTE HIGHEST REF CR126 R148 C133 Q102 L101 T102 VR102 U103 J123

PEAVEY ELECTRONICS CORP. 715 A STREET MERCERIDAN, MS 39361			
<b>CS800S CONTROL</b>			
SIZE	CODE	NUMBER	REV
B		81580081	
DATE	14-000-97	SHEET	X OF Y



CS8005 SW CONTROL

BOARD NAME: CS800SW CTRL  
 PART DESCRIPTION AND  
 \*\* QTY. NAME VALUE NUMBER DEVICE DESIGNATIONS \*\*\*\*\*  
 \*\*\*\*\*

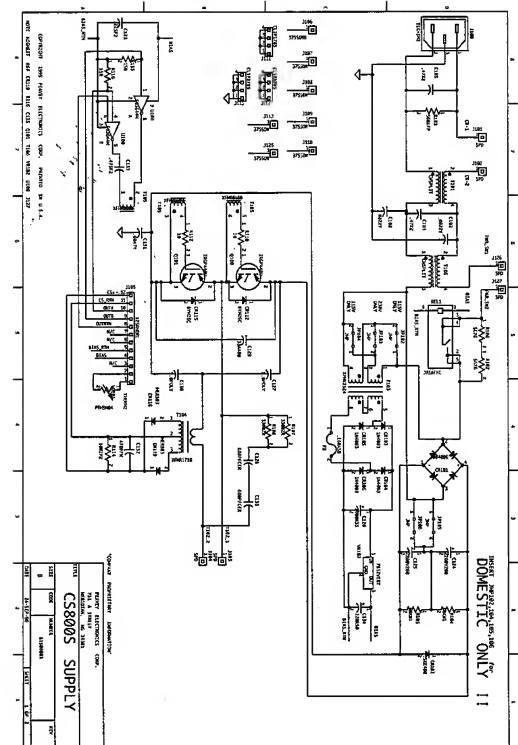
1	15KP1	15KP1	70241027	15K--1/4W--1%---MF--T&R	R105
				R143	
5	JK	1K	70240017	1K---1/4W--5%---CF--T&R	1 49.9KP1 49.9KP1 70241072 49.9K-1/4W--1%---MF--T&R
				R106, R130, R137, R142, R145	R141
1	1KP1	1KP1	70241077	1K---1/4W--1%---CF--T&R	1 4SRHRAU 73717084 73717084 4 PIN RA SQ/P F/LK HD.100
				R100	P100
5	1N4003	1N4003	70464003	1N4003 200V SILICON DIODE	2 5.11KP1 5.11KP1 70240051 5.11K-1/4W--1%---MF--T&R
				CR116, CR117, CR118, CR119, CR120	R109, R118
8	1N4148	4148	70464148	1N4148 75V 10MA SILICON DIODE	1 560 560 70240050 560--1/4W--5%---CF--T&R
				CR100, CR101, CR107, CR115, CR121, CR122, CR123, CR125	R129
2	1N751A	1N751A	70400751	1N751A 5.1V, 4W, 5% ZENER DIODE	1 6.8K 6.8K 70240024 6.8K--1/4W--5%---CF--T&R
				CR102, CR124	R135
1	2.2K	2.2K	70240020	2.2K--1/4W--5%---CF--T&R	2 6530 6531 70466531 MPS-6531 TO92 NPN TRANS.
				R133	Q101, Q102
1	2.2T25	2.2T25	70340087	2.2 MF, 10%, 25VDC, TANTALUM T&A	1 6533 6534 70466533 MPS-6533/34 TO-92 PNP TRANS T&A
				C108	Q100
1	2.67KP1	2.67KP1	70241018	2.67K-1/4W--1%---MF--T&R	1 680PFCER 680PFCER 70320159 680PF-10%-400 VP-CD-R/W
				R111	C110
1	2.7K	2.7K	70240021	2.7K--1/4W--5%---CF--T&R	1 82.5KP1 82.5KP1 70240130 82.5K 1% 1/4W MF T&R
				R102	R140
1	200P1	200P1	70240079	200 OHM 1% 1/4W MF T&R	1 90000131 90000131 90000131 CS-800S PWR OUTPUT TRANS.
				R110	T102
3	220R50	220R50	70320187	220MF---20%---50VDC---EL--T&A	5 CLIP1785 70901785 70901785 screw term, 6-32 - pcb mnt.
				C103, C116, C117	J115, J116, J117, J118, J123
1	22K	22K	70240029	22K--1/4W--5%---CF--T&R	4 D1040 D1040 70401040 D10LC40 FAST RCVRY DIODE
				R147	CR103, CR104, CR105, CR106
2	300W1/2	300W1/2	70230031	300---1/2W--5%---FP---T&R	1 EDF1DM EDF1DM 70402505 1A 200V ULTRAFast BRIDGE RECTIFIER
				R131, R136	CR108
1	330KT	330KT	70240208	330K THERMISTOR	1 HER103 HER103 70400103 HER-103 HI EFF RECT DIODE
				VR100	CR126
2	33K	33K	70240030	33K--1/4W--5%---CF--T&R	1 LM311 LM311 70420311 LM311 VOLTAGE COMPARATOR
				R117, R119	U103
1	3K	3K	70240071	3K--1/4W--5%---CF--T&R	1 LM358 LM358 70400358 LM358 DUAL OP AMP
				R132	U102
1	40.2KP1	40.2KP1	70240047	40.2K-1/4W--1%---MF--T&R	1 ML4825 ML4825 70404825 ML4825-PWM-IC
				R116	U101
1	470	470	70240015	470--1/4W--5%---CF--T&R	2 OUTCHOKE 70519945 70519945 125 UH +/-20% TOROID INDUCTOR
				R134	L100, L101
1	470K	470K	70240038	470K--1/4W--5%---CF--T&R	2 RXE110 RXE110 70240213 1.10A 60V RESETABLE PTC FUSE
				R149	F100, F101
2	470R6.3	470R6.3	70320183	470MF---20%---6.3VDC---EL--T&A	6 SPD 73716194 73716194 .250 PC MNT SPADE .093 PCB
				C129, C130	J101, J102, J103, J104, J105, J106
1	47K	47K	70240031	47K--1/4W--5%---CF--T&R	*****
				R148	
1	48.7KP1	48.7KP1	70241068	48.7K-1/4W--1%---MF--T&R	
1	.0020AP5	.0020AP5	70340093	.0020MF, 5%, 100V, T&R	
				C114	
1	.0022	.0022	70340004	.0022MF--10%---50VDC---T/C---T&R	
				C125	
3	.01MY	.01MY	70320077	.01 UF MYLAR 5% 100V	
				C105, C109, C115	
1	.068M	.068M	70330124	.068M 5% 50vdc my T&A	
				C101	
7	.1	.1	70340100	.1MF---+80-20%---50VDC---AXL---T&R	
				C100, C106, C107, C126, C127, C128, C133	
5	.22SF2	.22SF2	70330114	0.22 MF 5% 100V STCK FILM t&a	
				C102, C118, C119, C120, C121	
2	1.0SF3	1.0SF3	70330158	1MF 63V STACK FILM T&A	
				C104, C135	
2	1.3FPW1	1.3FPW1	70210022	1.3 OHM--1W--5%---FLAME PROOF--T&R	
				R150, R151	
3	10	10	70240003	10--1/4W--5%---CF--T&R	
				R114, R115, R128	
1	100	100	70240010	100--1/4W--5%---CF--T&R	
				R107	
4	1000R100	1000R100	70320287	1000 MFD 100VDC EL LOW ESR	
				C111, C112, C131, C132	
1	100R10LL	100R10LL	70320304	100MF-10V LOW LEAKAGE ELECT. T&A	
				C134	
2	100W2	100W2	70250080	100--2W--5%---MF--T&R	
				R112, R113	
1	105KP1	105KP1	70241076	105K-1/4W--1%---MF--T&R	
				R138	
1	10K	10K	70240025	10K--1/4W--5%---CF--T&R	
				R146	
1	10KP1	10KP1	70241050	10K--1/4W--1%---MF--T&R	
				R144	
1	10KTRIM	10KTRIM	71190009	10K LIN HOR. PC MNT TRIM POT	
				VR102	
3	125SOW	70900788	70900788	SPACER, 1/8,R(#4),.187 SWAGE ALUM.	
				J119, J120, J121,	
1	12SRHDRL	12SRHDRL	73717021	12 PIN HEADER W/LOCK	
				J100	
1	154KP1	154KP1	70240134	154K 1% 1/4W MF T&R	
				R104	
1	15K	15K	70240027	15K--1/4W--5%---CF--T&R	
				R139	

1	90000131	90000131	90000131	CS-800S PWR OUTPUT TRANS. T102
1	ML4825	ML4825	70404825	ML4825-PWM-IC U101
1	LM358	LM358	70400358	LM358 DUAL OP AMP U102
1	LM311	LM311	70420311	LM311 VOLTAGE COMPARATOR U103
1	330KT	330KT	70240208	330K THERMISTOR VR100
1	10KTRIM	10KTRIM	71190009	10K LIN HOR. PC MNT TRIM POT VR102

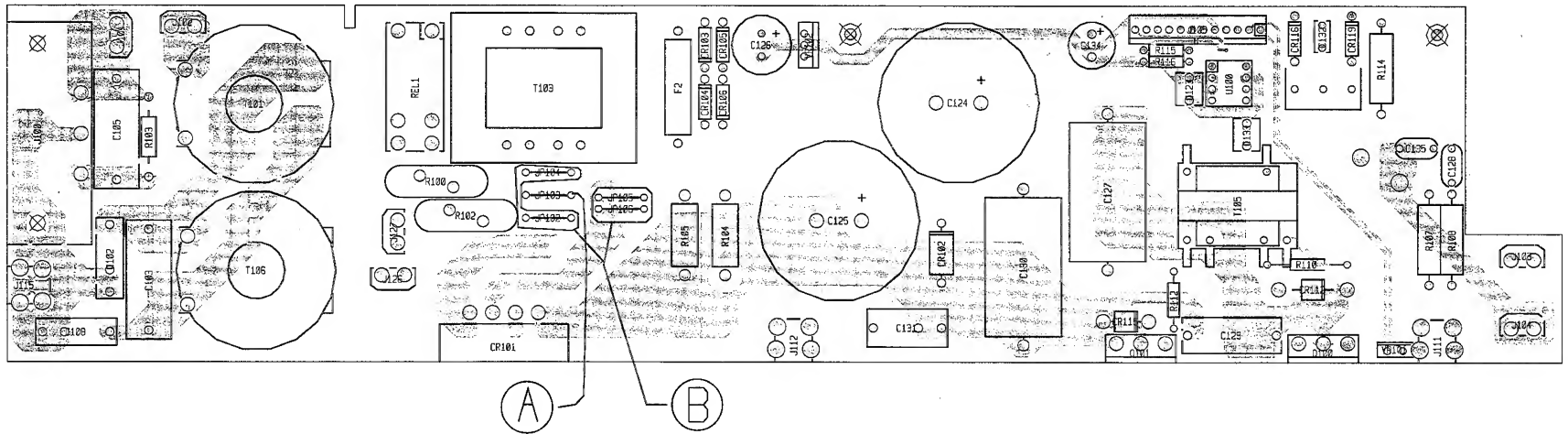
\*\*\*\*\*

QTY.	NAME	VALUE	PART NUMBER	DESCRIPTION AND DEVICE DESIGNATIONS
1	.0022Y	.0022Y	70320296	.0022 Y-CLASS CAPACITOR C102
2	.47X2	.47X2	70320271	.47MF-20% 275VAC-MP-R/W C103, C105
1	.0022Y	.0022Y	70320296	.0022 Y-CLASS CAPACITOR C108
1	.22SF2	.22SF2	70330114	0.22 MF 5% 100V STCK FILM t&a C123
2	2200V200	2200V200	70320297	2200 MF 20% 200VDC EL R/S SMH C124, C125
1	1000R35	1000R35	70320186	1000OHM-20% -35VDC-EL-T&A C126
1	5.0POLY	5.0POLY	CRANE	5.0UF 250VDC AXIAL POLYPROPYLENE C127
1	680PFCE	680PFCE	70320159	680PF-10%-400 VP-CD-R/W C128
1	.33A400	.33A400	70320107	.33MFD @ 400V MYLAR CAP C129
1	5.0POLY	5.0POLY	CRANE	5.0UF 250VDC AXIAL POLYPROPYLENE C130
1	.0047Y	.0047Y	70320270	.0047MF-20%-250VAC-PP-R/W C131
1	470PFM	470PFM	70330118	470P2 5% 50VDC MY T&A C132
1	.47SF2	.47SF2	70330148	.47MF 5% 100VDC SP T&A C133
1	220R50	220R50	70320187	220MF-20%-50VDC-EL-T&A C134
1	680PFCE	680PFCE	70320159	680PF-10%-400 VP-CD-R/W C135
1	SDB4006	70404006	70404006	40A, 600V INLINE BRIDGE RECTIFIER CR101
1	1.5KE400	1.5KE400	70415400	1.5KE400A TRANS. VLTG SUPP CR102
4	1N4003	1N4003	70464003	1N4003 200V SILICON DIODE CR103, CR104, CR105, CR106
2	BVM26C	BVM26C	704440105	BVM26C, 600V, 2.25A ULTRAFAST DIODE CR112, CR115
2	HER103	HER103	704001103	HER-103 HI EFF RECT DIODE CR116, CR119
1	.160ASB	.160ASB	70901249	.160 A SB 5X20MM T/R FUSE F2
1	IEC-IN2	70901428	70901428	2#R INLET, RA SCREW MT PC J100
4	SPD	73716194	73716194	.250 PC MNT SPADE .093 PCB J101, J102, J103, J104
1	12SRHDL	12SRHDL	73717021	12 PIN HEADER W/LOCK J105
1	375SOW	70900779	70900779	SPACER, 3/8, R(#4), .187 SWAGE BRASS J106
4	375SOW	70900295	70900295	SPACER, 3/8, R(#4), .187 SWAGE ALUM. J107, J108, J109, J110
2	CLP1785	70901785	70901785	SCREW TERE, 6-32 - PCB MNT. J111, J112
1	375SOW	70900295	70900295	SPACER, 3/8, R(#4), .187 SWAGE ALUM. J113
1	CLP1785	70901785	70901785	SCREW TERE, 6-32 - PCB MNT. J115
1	375SOW	70900295	70900295	SPACER, 3/8, R(#4), .187 SWAGE ALUM. J125
2	SPD	73716194	73716194	.250 PC MNT SPADE .093 PCB J126, J127
2	IRGP440U	IRGP440U	70400440	IRGP440U N CH ULTRA-FAST IGBT TO3P Q100, Q101
2	SG26	70240210	70240210	5 OHM, 12 A INRUSH THERMISTOR R100, R102
1	560KFP	560KFP	70230046	560K 1/2W FP RESISTOR T&R R103
2	68KW1	68KW1	70250018	68K-1W-10%-T&R R104, R105
2	330W2R	330W2R	70250074	330-0-332W-5% MO-AXL R107, R108
2	10	10	70240003	10-1/4W-5%-CF-T&R R110, R112
1	10.5W2P2	10.5W2P2	70250083	10.5 OHM-2% 2W-MO-T/R R114
2	150	150	70240001	150-1/4W-5%-CF-T&R R115, R116
1	JRIAFC	JRIAFC	71322371	15A, 240VAC SPST TAPE SEALED RELAY REL1
4	1187SOW	70900366	70900366	SO300 HEX SPACER 1 3/16 W/4-40 IN SO301, SO302, SO303, SO304
1	187SOW	70900935	70900935	SPACER, .187 (#4), .187 SWAGE BRASS SO305
2	187SOWD	70900924	70900924	SPACER, .187 R, (#4), .187 SWAGE ALUM. SO306, SO307
1	187SOW	70900935	70900935	SPACER, .187 (#4), .187 SWAGE BRASS SO308
4	187SOWD	70900924	70900924	SPACER, .187 R, (#4), .187 SWAGE ALUM. SO309, SO310, SO311, SO312

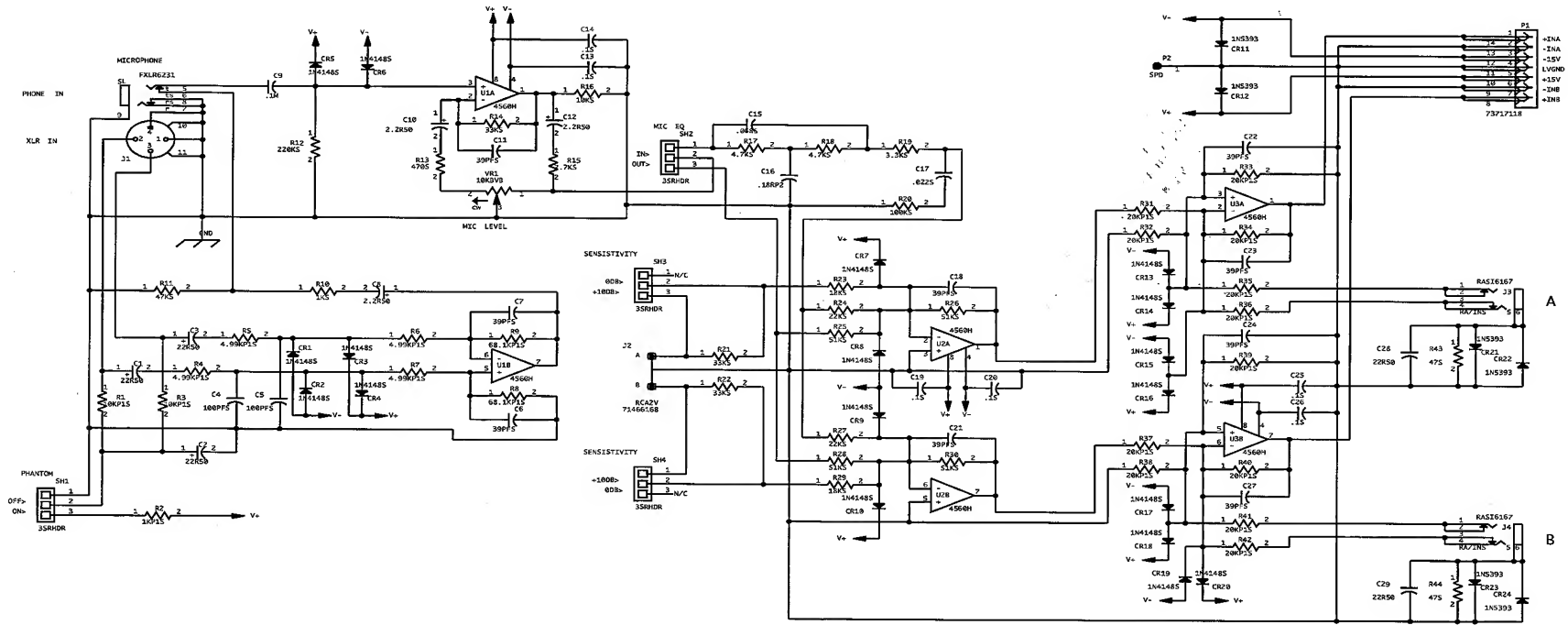
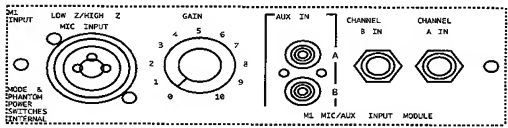
1	CMSPLT	70538712	70538712	2.5MH COMMON-MODE INDUCTOR T101
1	XFMR2524	XFMR2524	70502524	PL2.5-24 BIAS TRANSFORMER T103
1	XFMR1718	XFMR1718	70551718	CURRENT SENSE TOROID T104
1	XFMR0100	70500100	70500100	GET100100 NEW GATE XFORMER T105
1	CMSPLT	70538712	70538712	2.5MH COMMON-MODE INDUCTOR T106
1	SG3644M	SG3644M	70413644	SG3644M 3A DUAL MOSFET DRIVER U100
1	PTH9M04	70240211	70240211	100 DEGREE C. PTC THERM VR101
1	7812VERT	7812VERT	70427812	MC 7812 CT REG VERT MNT VR102



	Assembly	Assembly P/N
(A)	120 volt	99300142
(B)	230 volt	99300143



CS800SW E. M. I.



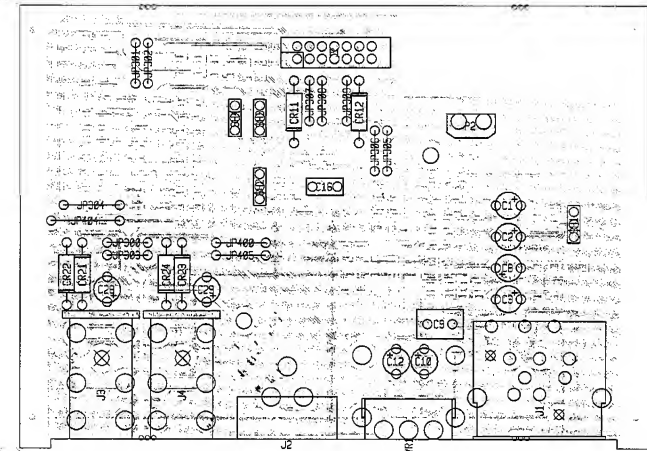
- |       |    |       |    |       |    |       |    |
|-------|----|-------|----|-------|----|-------|----|
| #54   | TP | #31   | TP | #35   | TP | #3    | TP |
| TP191 |    | TP195 |    | TP199 |    | TP113 |    |
| #55   | TP | #29   | TP | #33   | TP | #6    | TP |
| TP192 |    | TP196 |    | TP110 |    | TP114 |    |
| #46   | TP | #45   | TP | #34   | TP | #4    | TP |
| TP193 |    | TP197 |    | TP111 |    | TP115 |    |
| #32   | TP | #36   | TP | #9    | TP |       |    |
| TP194 |    | TP198 |    | TP112 |    |       |    |

NOTICE: THIS CIRCUITRY IS PROTECTED BY U.S. PATENT NO. 4,318,053 OWNED BY PEAVEY ELECTRONICS CORP. USE OR COPYING WITHOUT EXPRESS WRITTEN AUTHORITY FROM PEAVEY IS STRICTLY FORBIDDEN AND VIOLATORS WILL BE PROSECUTED TO THE FULLEST EXTENT ALLOWED UNDER U.S. PATENT LAWS.

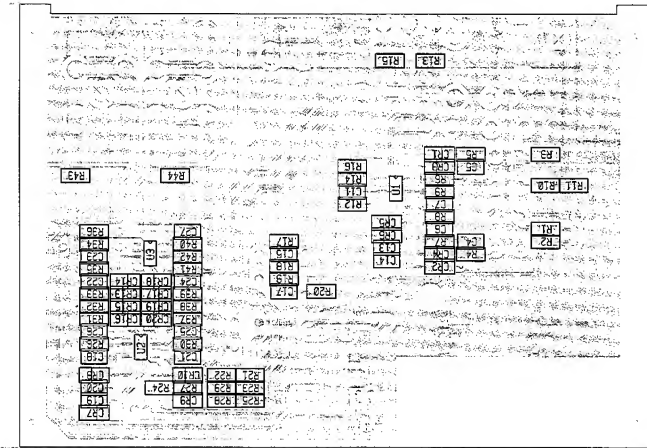
PEAVEY ELECTRONICS CORP. 711 A STREET MERTZTAN, MISSISSIPPI 39061			
TITLE CS800S MIC PRE-AMP1			
SIZE C	CODE	NUMBER 81500131	REV C
PRINT DATE	3-DEC-87		SHEET 1 OF 1

BOARD NAME: 8SMCPRE

QTY.	PART NAME	VALUE	PART NUMBER	DESCRIPTION AND DEVICE DESIGNATIONS
1	3.3KS	3.3K	70200023	3.3K-1/8W-5%-smt R19
1	100KS	100K	70200034	100K-1/8W-5%-SM R20
2	33KS	33K	70200063	33K-1/8W-5%-SM R21, R22
1	18KS	18K	70200030	18K-1/8W-5%-SMT R23
1	22KS	22K	70200031	22K-1/8W-5%-SMT R24
2	51KS	51K	70200096	51K-1/8W-5%-SMT1206 R25, R26
1	22KS	22K	70200031	22K-1/8W-5%-SMT R27
1	51KS	51K	70200096	51K-1/8W-5%-SMT1206 R28
1	18KS	18K	70200030	18K-1/8W-5%-SMT R29
1	51KS	51K	70200096	51K-1/8W-5%-SMT1206 R30
12	20KPI5	20kp1	70200059	20K-1/8W-1%-SMT R31, R32, R33, R34, R35, R36, R37, R38, R39, R40, R41, R42
2	47S	47	70200012	47-1/8W-5%-smt R43, R44
4	3SRHDR	73717052	73717052	3-ST-SQ/P-FL-HD-.100 SH1, SH2, SH3, SH4
15	TP	XXXXXXX	XXXXXXX	TP101, TP102, TP103, TP104, TP105, TP106, TP107, TP108, TP109, TP110, TP111, TP112, TP113, TP114, TP115
3	4560H	4560	70418053	4560 DL OP AMP SOIC-8 U1, U2, U3
1	10KRBV	71190510	71190510	10K LIN MIN VPC W/BRACKET VR1
3	JMPS	JMP	70200010	0.0-1/8W-5%-smt JPS1, JPS2, JPS3, JPS4, JPS5, JPS6, JPS7, JPS8, JPS9, JPS10, JPS11, JPS12
1	73717118	73717118	73717118	14-DR-BA-RET/P-HD-.100 TIN P1
1	SPD	73716194	73716194	.250 PC MNT SPADE .093 PCB P2
1	10KPI5	10kp1	70200051	10K-1/8W-1%-SMT R1
1	1KPI5	1kp1	70200047	1K-1/8W-1%-SMT R2
1	10KPI5	10kp1	70200051	10K-1/8W-1%-SMT R3
4	4.99KPI5	4.99kp1	70200049	4.99K-1/8W-1%-SMT R4, R5, R6, R7
2	68.1KPI5	68.1kp1	70200121	68.1K-1/8W-1%-SMT 1206 R8, R9
1	1KS	1K	70200015	1K-1/8W-5%-smt R10
1	47KS	47K	70200032	47K-1/8W-5%-SMT R11
1	220KS	220K	70200044	220K-1/8W-5%-SMT R12
1	470S	470	70200046	470-1/8W-5%-SMT R13
1	33KS	33K	70200063	33K-1/8W-5%-SM R14
1	2.7KS	2.7K	70200061	2.7K-1/8W-5%-smt R15
1	10KS	10K	70200028	10K-1/8W-5%-SMT R16
2	4.7KS	4.7K	70200025	4.7K-1/8W-5%-smt R17, R18



Primary side



Secondary side

CS800S Mic Preamp



8 7 6 5 4 3 2 1

D

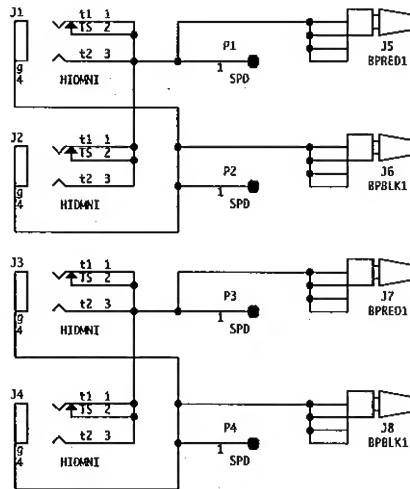
C

B

A

CHAN A OUTPUTS

CHAN B OUTPUTS



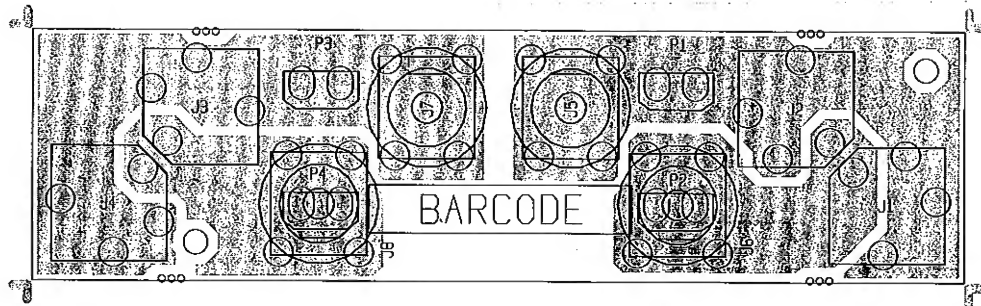
"COMPANY PROPRIETARY INFORMATION"

PEAVEY ELECTRONICS CORP.  
711 A STREET  
MERIDIAN, MISSISSIPPI 39301

TITLE  
CS-800S OUTPUT BD A

SIZE	CODE	NUMBER	REV
B		81500081	B
PRINT			
DATE	5-SEP-96	SHEET	1 OF 1

8 7 6 5 4 3 2 1

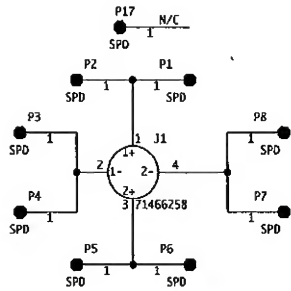


BOARD NAME: CS800SW OUTPUT

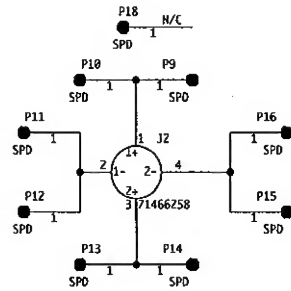
** QTY.	NAME	VALUE	PART NUMBER	DESCRIPTION AND DEVICE DESIGNATIONS *****
4	HIDMNI	71466214	71466214	2 TIP HID JACK NINS W/SPD J1, J2, J3, J4
1	BPRED1	71466201	71466201	BINDING POST PC RED-90 J5
1	BPBLK1	71466200	71466200	BINDING POST PC BLK-90 J6
1	BPRED1	71466201	71466201	BINDING POST PC RED-90 J7
1	BPBLK1	71466200	71466200	BINDING POST PC BLK-90 J8
4	SPD	73716194	73716194	.250 PC MNT SPADE .093 PCB P1, P2, P3, P4

\*\*\*\*\*

CS800SW Output



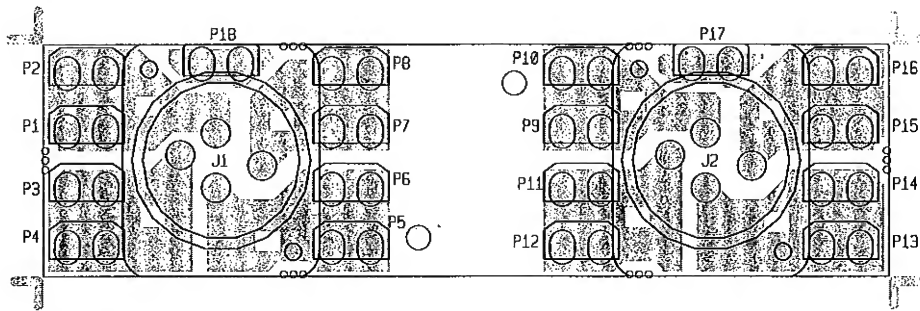
ENCLOSURE A



ENCLOSURE B

\*COMPANY PROPRIETARY INFORMATION\*

PEAVEY ELECTRONICS CORP. 711 A STREET MERIDIAN, MISSISSIPPI 39301			
TITLE CS-800S EURO OUT BOARD			
SIZE B	CODE	NUMBER 81500081	REV C
PRINT	DATE 5-SEP-96	SHEET	1 OF 1

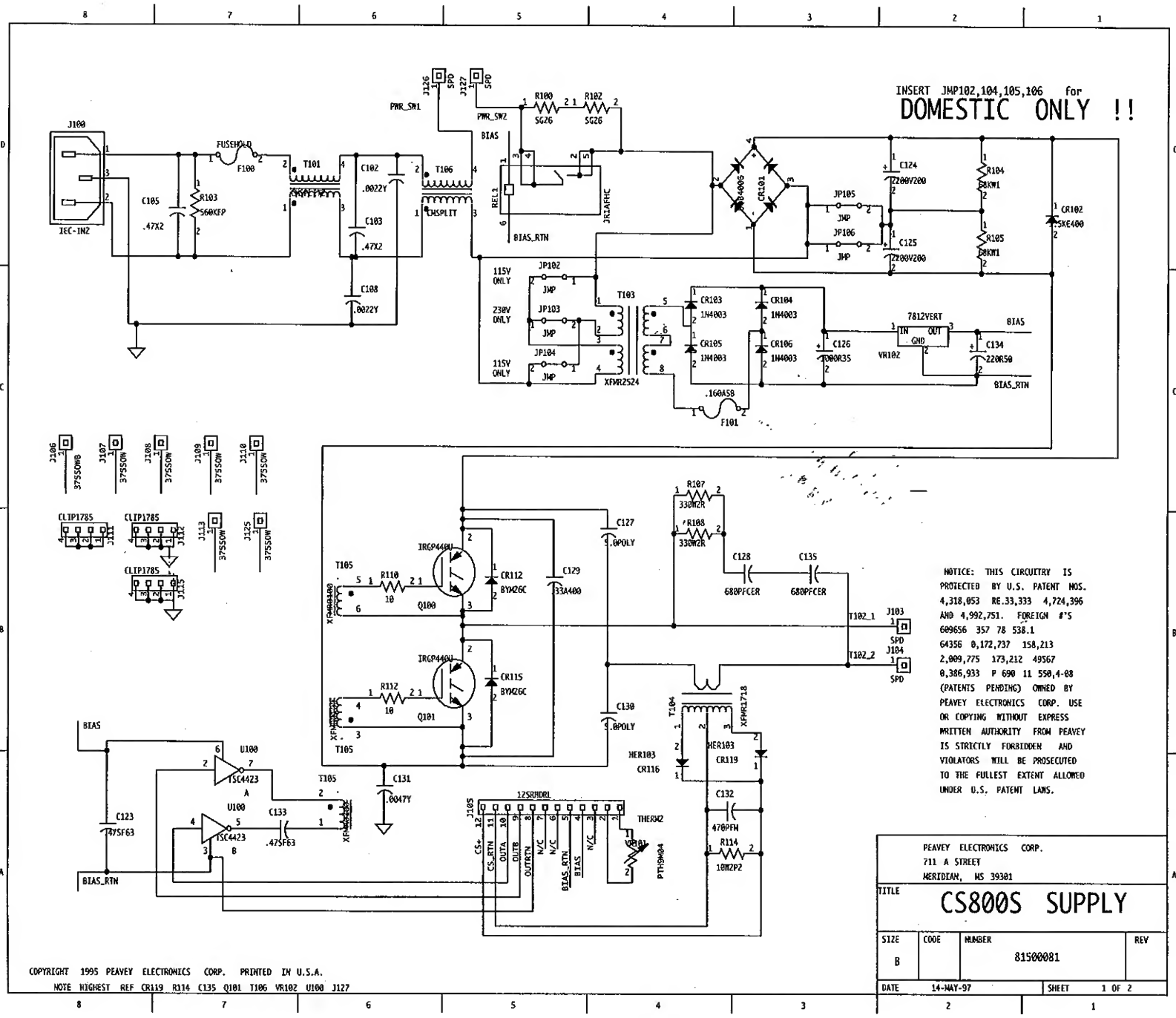


BOARD NAME: CS800SW EURO OUT

** QTY.	NAME	VALUE	PART NUMBER	DESCRIPTION AND DEVICE DESIGNATIONS *****
2	71466258	71466258	71466258	PCB CONN, 4 POLE SPEAKON (NEUTRIK) J1, J2
18	SPD	73716194	73716194	.250 PC MNT SPADE .093 PCB P1, P2, P3, P4, P5, P6, P7, P8, P9, P10, P11, P12, P13, P14, P15, P16, P17, P18 *****

CS800SW Euro Output

BOARD NAME: CS8S EMI									
QTY.	NAME	VALUE	PART NUMBER	DESCRIPTION AND DEVICE DESIGNATIONS					
1	.0022Y	.0022Y	70320296	.0022 Y-CLASS CAPACITOR	1	JR1AFHC	JR1AFHC	71322371	15A, 240VAC SPST TAPE SEALED RELAY REL1
2	.47X2	.47X2	70320271	.47MF-20%-275VAC-MP-R/W C103, C105	4	1187SOW	70900366	70900366	HEX SPACER 1 3/16 W/4-40 IN SO301, SO302, SO303, SO304
1	.0022Y	.0022Y	70320296	.0022 Y-CLASS CAPACITOR C108	1	187SOWB	70900935	70900935	SPACER,.187 (#4),.187 SWAGE BRASS
1	.47SF63	.47SF63	70330159	.047 MF 63V STACK FILM T&A C123	2	187SOWD	70900924	70900924	SPACER,.187 R,(#4),.187 SWAGE ALUM.
2	2200V200	2200V200	70320297	2200 MF 20% 200VDC EL R/S SMH C124, C125	1	187SOWB	70900935	70900935	SPACER,.187 (#4),.187 SWAGE BRASS
1	1000R35	1000R35	70320186	1000MF-20%-35VDC-EL-T&A C126	4	187SOWD	70900924	70900924	SPACER,.187 R,(#4),.187 SWAGE ALUM.
1	5.0POLY	5.0POLY	CRANE	5.0UF 250VDC AXIAL POLY-PROPYLENE C127	1	CMSPLIT2	70538717	70538717	SO309, SO310, SO311, SO312 VERT 1.8MH COMMON-MODE CHOKE
1	680PFCER	680PFCER	70320159	680PF-10%-400 VP-CD-R/W C128	1	XFMR2524	XFMR2524	70502524	FL2.5-24 BIAS TRANSFORMER
1	.33A400	.33A400	70320107	.33MFD @ 400V MYLAR CAP C129	1	XFMR1718	XFMR1718	70551718	CURRENT SENSE TOROID
1	5.0POLY	5.0POLY	CRANE	5.0UF 250VDC AXIAL POLY-PROPYLENE C130	1	XFMR0100	70500100	70500100	GDT100100 NEW GATE XFORMER
1	.0047Y	.0047Y	70320270	.0047MF-20%-250VAC-PF-R/W C131	1	CMSPLIT	70538712	70538712	2.5MH COMMON-MODE INDUCTOR
1	470PFM	470PFM	70330118	470pf 5% 50vdc my T&A C132	1	TSC4423	TSC4423	70404423	TSC4423 3A DUAL MOSFET DRIVER
1	.47SF63	.47SF63	70330159	.047 MF 63V STACK FILM T&A C133	1	PTH9M04	70240211	70240211	100 DEGREE C, PTC THERM
1	220R50	220R50	70320187	220MF-20%-50VDC-EL-T&A C134	1	7812VERT	7812VERT	70427812	MC 7812 CT REG VERT MNT
1	680PFCER	680PFCER	70320159	680PF-10%-400 VP-CD-R/W C135	*****				
1	SDB4006	70404006	70404006	40A, 600V INLINE BRIDGE RECTIFIER CR101					
1	1.5KE400	1.5KE400	70415400	1.5KE400A TRANS. VLTG SUPP CR102					
4	1N4003	1N4003	70464003	1N4003 200V SILICON DIODE CR103, CR104, CR105, CR106					
2	BYM26C	BYM26C	70440105	BYM26C, 600V, 2.25A ULTRAFAST DIODE CR112, CR115					
2	HER103	HER103	70400103	HER-103 HI EFF RECT DIODE CR116, CR119					
1	FUSEHOLD	70901483	70901483	UNIVERSAL(5X20MM/.25X1.25) FUSE HOLDER F100					
1	.160ASB	.160ASB	70901249	.160 A SB 5X20MM T/R FUSE F101					
1	IEC-IN2	70901428	70901428	PWR INLET, RA SCREW MT PC J100					
2	SPD	73716194	73716194	.250 PC MNT SPADE .093 PCB J103, J104					
1	12SRHDRL	12SRHDRL	73717021	12 PIN HEADER W/LOCK J105					
1	375SOWB	70900779	70900779	SPACER,3/8,R(#4),.187 SWAGE BRASS J106					
4	375SOW	70900295	70900295	SPACER,3/8,R(#4),.187 SWAGE ALUM. J107, J108, J109, J110					
2	CLIP1785	70901785	70901785	screw term, 6-32 - pcb mnt. J111, J112					
1	375SOW	70900295	70900295	SPACER,3/8,R(#4),.187 SWAGE ALUM. J113					
1	CLIP1785	70901785	70901785	screw term, 6-32 - pcb mnt. J115					
1	375SOW	70900295	70900295	SPACER,3/8,R(#4),.187 SWAGE ALUM. J125					
2	SPD	73716194	73716194	.250 PC MNT SPADE .093 PCB J126, J127					
2	IRGP440U	IRGP440U	70400440	IRGP440U N CH ULTRA-FAST IGBT T03P Q100, Q101					
2	SG26	70240210	70240210	5 OHM, 12 A INRUSH THERMISTOR R100, R102					
1	560KFP	560KFP	70230046	560K 1/2W FP RESISTOR T&R R103					
2	68KW1	68KW1	70250018	68K-1W--10%-MO-T&R R104, R105					
2	330W2R	330W2R	70250074	330-RSS2W-5%-MO-AXL R107, R108					
2	10	10	70240003	10-1/4W-5%-CF-T&R R110, R112					
1	10W2P2	10W2P2	70250083	10 OHM-2%-2W-MO-T/R R114					



INSERT JMP102, 104, 105, 106 for  
**DOMESTIC ONLY !!**

- J106 37550M6
- J107 37550M
- J108 37550M
- J109 37550M
- J110 37550M
- CLIP1785
- CLIP1785
- CLIP1785
- ET11C
- JMS556E
- 5D11C
- JMS556E
- 37550M

NOTICE: THIS CIRCUITRY IS PROTECTED BY U.S. PATENT NOS. 4,318,053 RE. 33,333 4,724,396 AND 4,992,751. FOREIGN #'S 609656 357 78 538.1 64356 0,172,737 158,213 2,009,775 173,212 49567 0,386,933 P 690 11 550,4-08 (PATENTS PENDING) OWNED BY PEAVEY ELECTRONICS CORP. USE OR COPYING WITHOUT EXPRESS WRITTEN AUTHORITY FROM PEAVEY IS STRICTLY FORBIDDEN AND VIOLATORS WILL BE PROSECUTED TO THE FULLEST EXTENT ALLOWED UNDER U.S. PATENT LAWS.

PEAVEY ELECTRONICS CORP. 711 A STREET MERIDIAN, MS 39301			
TITLE <b>CS800S SUPPLY</b>			
SIZE B	CODE	NUMBER 81500081	REV
DATE 14-MAY-97	SHEET 1 OF 2		

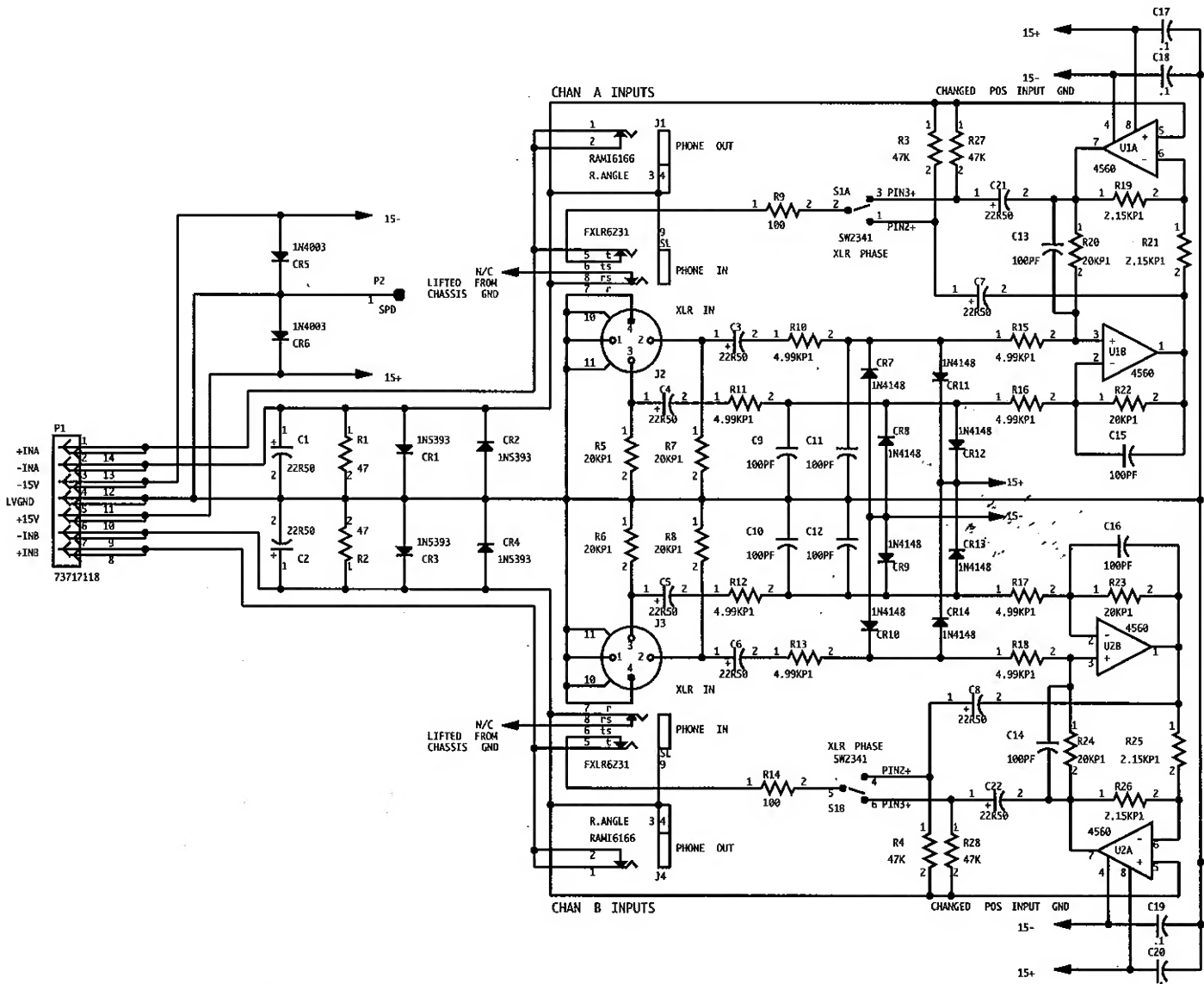
COPYRIGHT 1995 PEAVEY ELECTRONICS CORP. PRINTED IN U.S.A.  
NOTE HIGHEST REF CR119 R314 C135 Q101 T106 VR102 U100 J127

BOARD NAME: CS800SW CTRL				2	6530	6531	70466531	MPS-6531 TO92 NPN TRANS.
** QTY.	NAME	VALUE	PART NUMBER	DESCRIPTION AND DEVICE DESIGNATIONS	1	1KP1	1KP1	70241077
*****					1	2.7K	2.7K	70240021
1	.1	.1	70340100	.1MF+80-20%-50VDC-AXL-T&R C100	1	169KP1	169KP1	70241079
1	.068M	.068M	70330124	.068M 5% 50vdc my T&A C101	1	48.7KP1	48.7KP1	70241068
1	.22SF2	.22SF2	70330114	0.22 MF 5% 100V STCK FILM T&A C102	1	1K	1K	70240017
1	220R50	220R50	70320187	220MF-20%-50VDC-EL-T&A C103	1	100	100	70240010
1	1.0SF3	1.0SF3	70330158	1MF 63V STACK FILM T&A C104	1	5.11KP1	5.11KP1	70240051
1	.01MY	.01MY	70320077	.01 UF MYLAR 5% 100V C105	1	200P1	200P1	70240079
2	.1	.1	70340100	.1MF+80-20%-50VDC-AXL-T&R C106, C107	1	2.67KP1	2.67KP1	70241018
1	2.2T25	2.2T25	70340087	2.2 MF,10%,25VDC,TANTALUM T&A C108	2	100W2	100W2	70250080
1	.01MY	.01MY	70320077	.01 UF MYLAR 5% 100V C109	2	10	10	70240003
1	680PFCER	680PFCER	70320159	680PF-10%-400 VP-CD-R/W C110	1	40.2KP1	40.2KP1	70240047
2	1000R100	1000R100	70320287	1000 MFD 100VDC EL LOW ESR C111, C112	1	33K	33K	70240030
1	.0020AP5	.0020AP5	70340093	.0020MF, 5%, 100V, T&R C114	1	5.11KP1	5.11KP1	70240051
1	.01MY	.01MY	70320077	.01 UF MYLAR 5% 100V C115	1	33K	33K	70240030
2	220R50	220R50	70320187	220MF-20%-50VDC-EL-T&A C116, C117	1	10	10	70240003
4	.22SF2	.22SF2	70330114	0.22 MF 5% 100V STCK FILM T&A C118, C119, C120, C121	1	560	560	70240050
1	.0022	.0022	70340004	.0022MF-10%-50VDC-T/C-T&R C125	1	1K	1K	70240017
3	.1	.1	70340100	.1MF+80-20%-50VDC-AXL-T&R C126, C127, C128	1	300W1/2	300W1/2	70230031
2	470R6.3	470R6.3	70320183	470MF-20%-6.3VDC-EL-T&A C129, C130	1	3K	3K	70240071
2	1000R100	1000R100	70320287	1000 MFD 100VDC EL LOW ESR C131, C132	1	2.2K	2.2K	70240020
1	.1	.1	70340100	.1MF+80-20%-50VDC-AXL-T&R C133	1	470	470	70240015
1	100R10LL	100R10LL	70320304	100MF-10V LOW LEAKAGE ELECT. T&A C134	1	6.8K	6.8K	70240024
1	1.0SF3	1.0SF3	70330158	1MF 63V STACK FILM T&A C135	1	300W1/2	300W1/2	70230031
2	1N4148	4148	70464148	1N4148 75V 10MA SILICON DIODE CR100, CR101	1	1K	1K	70240017
1	1N751A	1N751A	70400751	1N751A 5.1V, .4W, 5% ZENER DIODE CR102	1	105KP1	105KP1	70241076
4	D1040	D1040	70401040	D1040 FAST RCVRY DIODE CR103, CR104, CR105, CR106	1	15K	15K	70240027
1	1N4148	4148	70464148	1N4148 75V 10MA SILICON DIODE CR107	1	82.5KP1	82.5KP1	70240130
1	EDF1DM	EDF1DM	70402505	1A 200V ULTRAFAST BRIDGE RECTIFIER CR108	1	49.9KP1	49.9KP1	70241072
1	1N4148	4148	70464148	1N4148 75V 10MA SILICON DIODE CR115	1	1K	1K	70240017
5	1N4003	1N4003	70464003	1N4003 200V SILICON DIODE CR116, CR117, CR118, CR119, CR120	1	15KP1	15KP1	70241027
3	1N4148	4148	70464148	1N4148 75V 10MA SILICON DIODE CR121, CR122, CR123	1	10KP1	10KP1	70241050
1	1N751A	1N751A	70400751	1N751A 5.1V, .4W, 5% ZENER DIODE CR124	1	1K	1K	70240017
1	1N4148	4148	70464148	1N4148 75V 10MA SILICON DIODE CR125	1	10K	10K	70240025
1	HER103	HER103	70400103	HER-103 HI EFF RECT DIODE CR126	1	22K	22K	70240029
2	RXE110	RXE110	70240213	1.10A 60V RESETABLE PTC FUSE F100, F101	1	47K	47K	70240031
1	12SRHDRL	12SRHDRL	73717021	12 PIN HEADER W/LOCK J100	1	121KP1	121KP1	70241034
6	SPD	73716194	73716194	.250 PC MNT SPADE.093 PCB J101, J102, J103, J104, J105, J106	2	1.3FPW1	1.3FPW1	70210022
1	125SOW	70900788	70900788	SPACER, 1/8, R(#4), .187 SWAGE ALUM. J109	1	J4	J	70600005
4	CLIP1785	70901785	70901785	screw term, 6-32 - pcb mnt. J115, J116, J117, J118	4	1187SOW	70900366	70900366
4	125SOW	70900788	70900788	SPACER, 1/8, R(#4), .187 SWAGE ALUM. J119, J120, J121, J122	1	187SOWB	70900935	70900935
1	CLIP1785	70901785	70901785	screw term, 6-32 - pcb mnt. J123	2	187SOWD	70900924	70900924
2	OUTCHOKE	70519945	70519945	125 UH+/-20% TOROID INDUCTOR L100, L101	1	187SOWB	70900935	70900935
1	4SRHRAU	73717084	73717084	4 PIN RA SQ/P F/LK HD .100 F100	4	187SOWD	70900924	70900924
1	6533	6534	70466533	MPS-6533/34 TO-92 PNP TRANS T&A Q100				

1	90000131	90000131	90000131	CS-800S PWR OUTPUT TRANS. T102
1	ML4825	ML4825	70404825	ML4825-PWM-IC U101
1	LM358	LM358	70400358	LM358 DUAL OP AMP U102
1	LM311	LM311	70420311	LM311 VOLTAGE COMPARATOR U103
1	330KT	330KT	70240208	330K THERMISTOR VR100
1	10KTRIM	10KTRIM	71190009	10K LIN HOR. PC MNT TRIM POT VR102

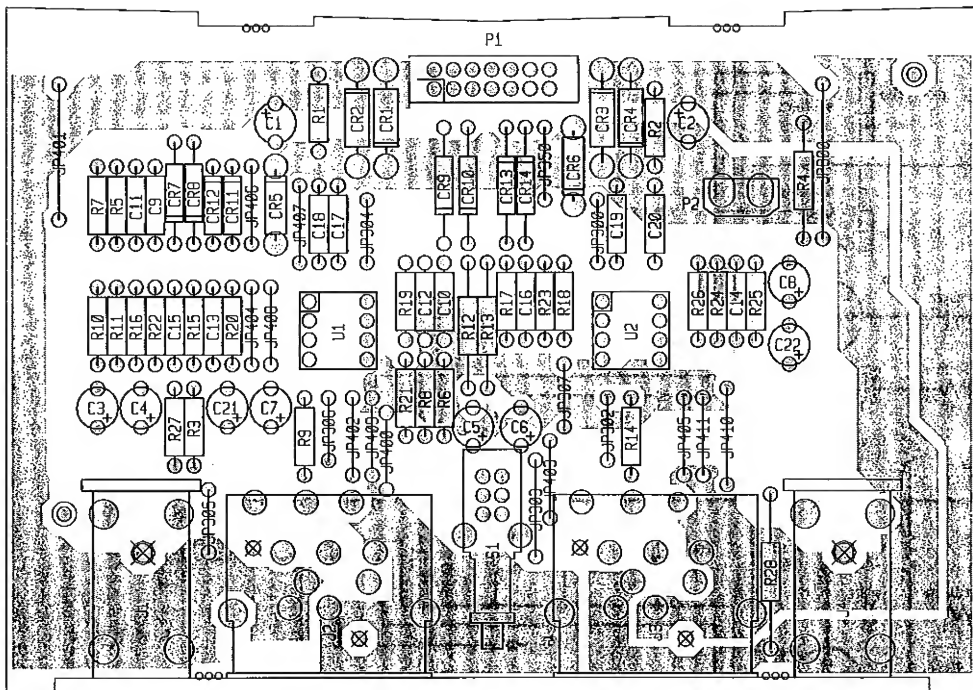
\*\*\*\*\*





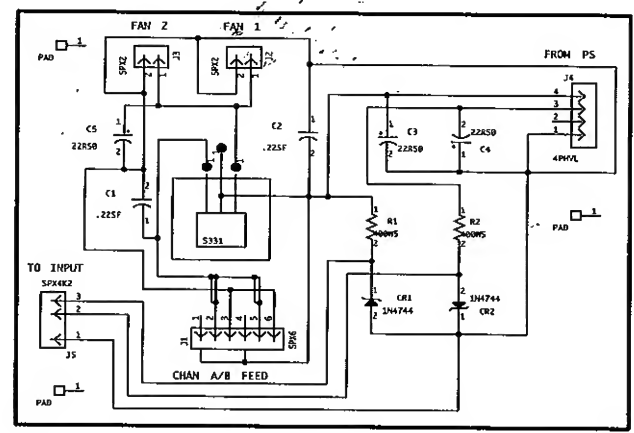
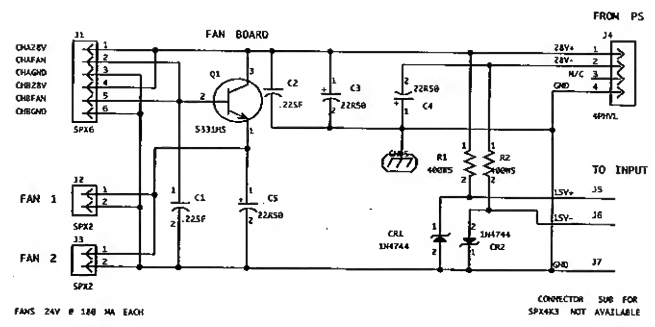
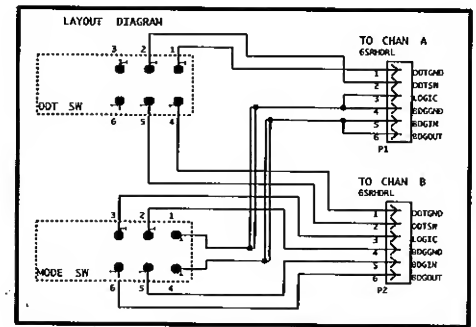
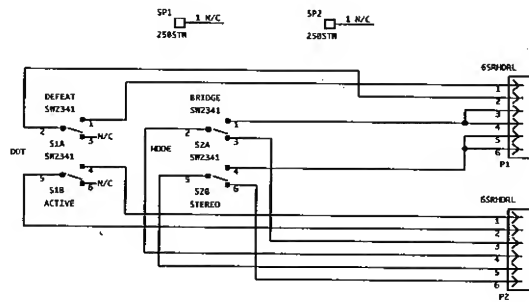
NOTICE: THIS CIRCUITRY IS PROTECTED BY U.S. PATENT NO. 4,318,053 OWNED BY PEAVEY ELECTRONICS CORP. USE OR COPYING WITHOUT EXPRESS WRITTEN AUTHORITY FROM PEAVEY IS STRICTLY FORBIDDEN AND VIOLATORS WILL BE PROSECUTED TO THE FULLEST EXTENT ALLOWED UNDER U.S. PATENT LAWS.

PEAVEY ELECTRONICS CORP. 711 A STREET MERIDIAN, MISSISSIPPI 39301			
TITLE CS-800S B1 INPUT MODULE			
SIZE B	CODE	NUMBER 81500081	REV A
DATE 28-MAY-98		SHEET 1 OF 1	

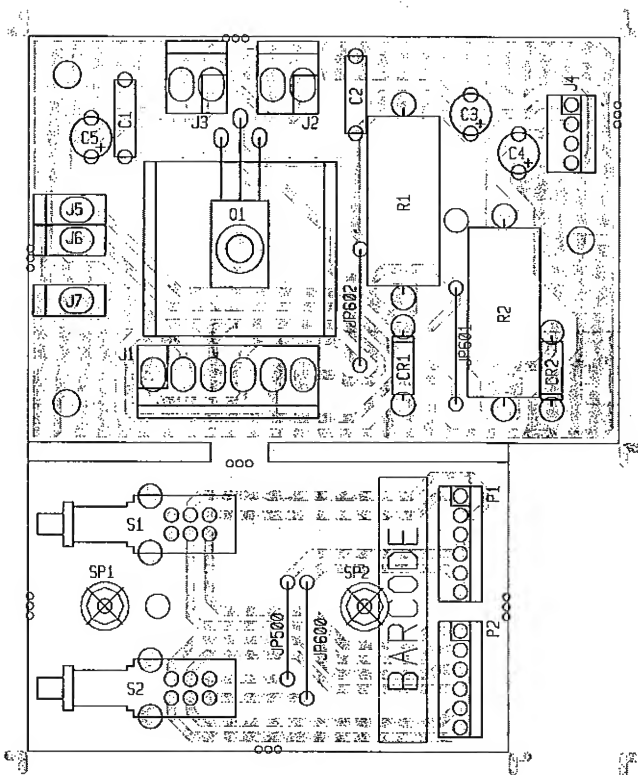


CS800SW Input Module "X"

BOARD NAME: CS800S INPUT				DESCRIPTION AND DEVICE DESIGNATIONS *****
** QTY.	PART NAME	VALUE	PART NUMBER	
8	22R50	22R50	70320181	22MF—20%—50VDC—EL—T&A C1, C2, C3, C4, C5, C6, C7, C8
8	100PF	100PF	70340054	100PF—10%—50VDC—T/C—T&R C9, C10, C11, C12, C13, C14, C15, C16
4	.1	.1	70340100	.1MF—80—20%—50VDC—AXL—T&R C17, C18, C19, C20
2	22R50	Q22R50	70320181	22MF—20%—50VDC—EL—T&A C21, C22
4	1N5393	5393	70465393	1N5393—RL 200V, 1.5, 5% DIODE —T&R CR1, CR2, CR3, CR4
2	1N4003	1N4003	70464003	1N4003 200V SILICON DIODE CR5, CR6
8	1N4148	4148	70464148	1N4148 75V 10MA SILICON DIODE CR7, CR8, CR9, CR10, CR11, CR12, CR13, CR14
1	RAMI6166	71466166	71466166	JK R/A 12.5MM INS MONO -88 J1
2	FXLR6231	71466231	71466231	COMB COAXL FML XLR-1/4JK J2, J3
1	RAMI6166	71466166	71466166	JK R/A 12.5MM INS MONO -88 J4
1	73717118	73717118	73717118	14-DR-BA-RET/P-HD-.100 TIN P1
1	SEP	73716194	73716194	.250 PC MNT SPADE .093 PCB P2
2	47	47	70240008	47—1/4W-5%—CF—T&R R1, R2
2	47K	47K	70240031	47K—1/4W-5%—CF—T&R R3, R4
4	20KP1	20KP1	70241040	20K—1/4W-1%—MF—T&R R5, R6, R7, R8
1	100	100	70240010	100—1/4W-5%—CF—T&R R9
4	4.99KP1	4.99KP1	70241060	4.99K—1/4W-1%—MF—T&R R10, R11, R12, R13
1	100	100	70240010	100—1/4W-5%—CF—T&R R14
4	4.99KP1	4.99KP1	70241060	4.99K—1/4W-1%—MF—T&R R15, R16, R17, R18
1	2.15KP1	2.15KP1	70241017	2.15K—1/4W-1%—MF—T&R R19
1	20KP1	20KP1	70241040	20K—1/4W-1%—MF—T&R R20
1	2.15KP1	2.15KP1	70241017	2.15K—1/4W-1%—MF—T&R R21
3	20KP1	20KP1	70241040	20K—1/4W-1%—MF—T&R R22, R23, R24
2	2.15KP1	2.15KP1	70241017	2.15K—1/4W-1%—MF—T&R R25, R26
2	47K	47K	70240031	47K—1/4W-5%—CF—T&R R27, R28
1	SW2341	SW2341	71322341	dpdt p/p r/a mini S1
2	4560	4560	70414560	4560 DUAL OP AMP IC U1, U2



PEAVEY ELECTRONICS CORP. 711 A STREET MERIDIAN, MISSISSIPPI 39301			
TITLE CS800 SW DOT/FAN BD			
SIZE C	CODE	NUMBER 81500081	REV E
DATE 24-SEP-96	SHEET 1 OF 1		



CS800SW DDT / FAN

BOARD NAME: CS8SWDDT/FAN

** QTY.	PART NAME	VALUE	PART NUMBER	DESCRIPTION AND DEVICE DESIGNATIONS *****
2	.22SF	.22SF	70330096	0.22 MF 5% 100V STCK FILM C1, C2
3	22R50	22R50	70320181	22MF-20%-50VDC-EL-T&A C3, C4, C5
2	1N4744	4744	70440102	SZG40102 15V 5% ZENER DIODE CR1, CR2
1	SPX6	SPX6	XXXXXXX	6 EACH OF STAKE PINS J1
2	SPX2	SPX2	XXXXXXX	2 EACH OF STAKE PINS J2, J3
1	4PHVL	4PHVL	73717015	4 PIN HEADER VERT. W/LOCK J4
3	SPX1U	SPX1U	73717003	1 STAKE PIN J5, J6, J7
2	6SRHDRL	73717123	73717123	6 PIN .100 S/R HEADER LOCKING P1, P2
1	5331HS	5331	70405331	SJE-5331 CASE-77 NPN W/ HEATSINK Q1
2	400W5	400W5	70250062	400-SW-10%-WW-AXL R1, R2
2	SW2341	SW2341	71322341	dpdt p/p r/a mini S1, S2
2	250STW	70901856	70901856	SPCR, 1/4.R(#4),.187 SW,AL SP1, SP2

\*\*\*\*\*  
\* END OF BILL OF MATERIALS REPORT \*  
\*\*\*\*\*