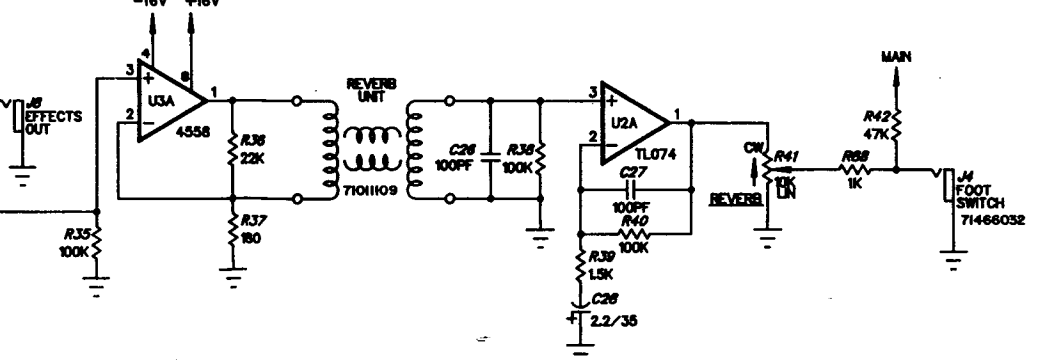
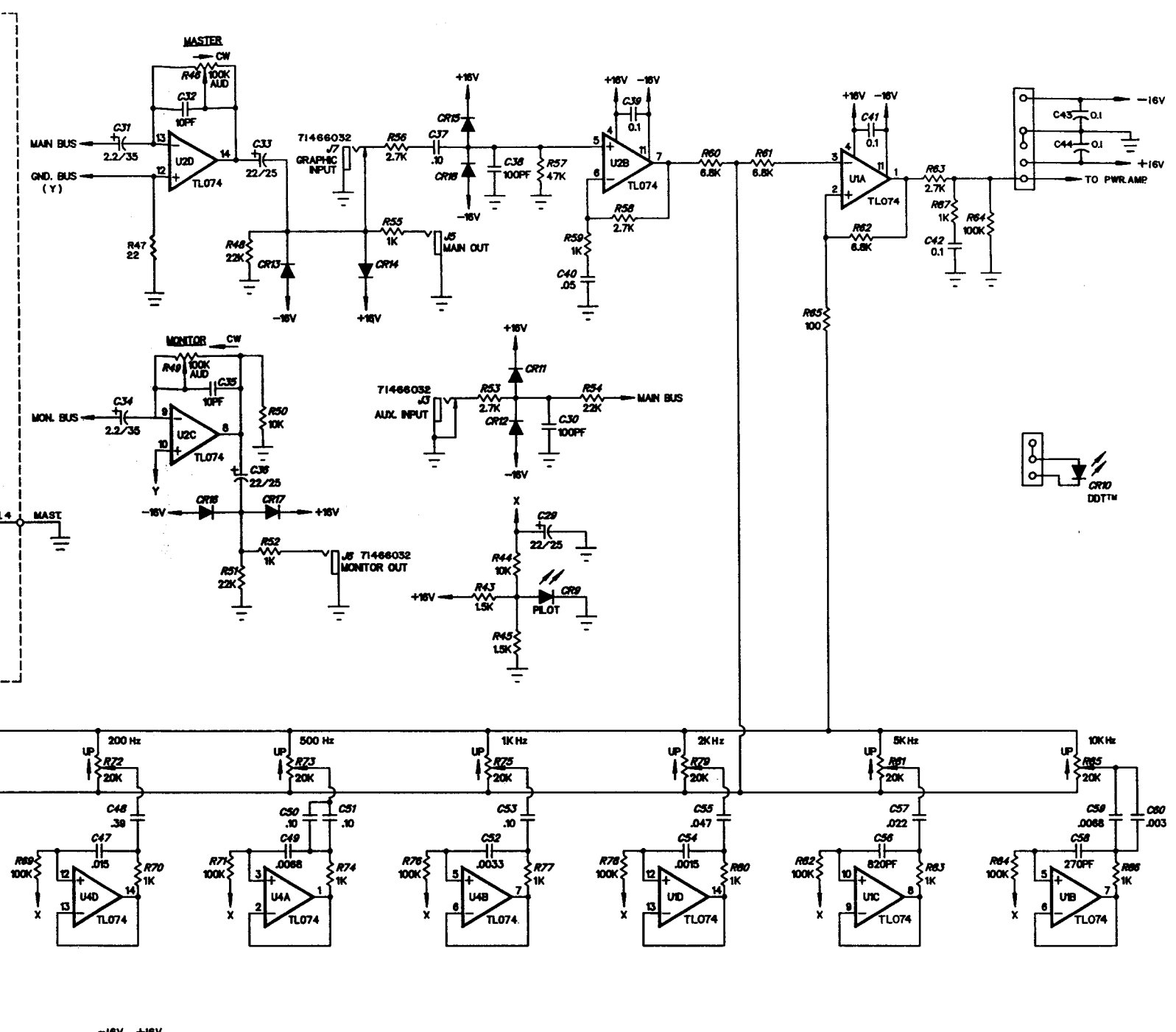


**NOTES**  
 ALL POTS ARE LINEAR UNLESS NOTED  
 ALL RESISTORS 1/4W UNLESS NOTED  
 ALL CAPACITORS IN MFD UNLESS NOTED  
 ALL DIODES 1N4148 UNLESS NOTED  
 LAST REF. DESIGNATOR USED:  
 R69 C82 CR16 J6 U8

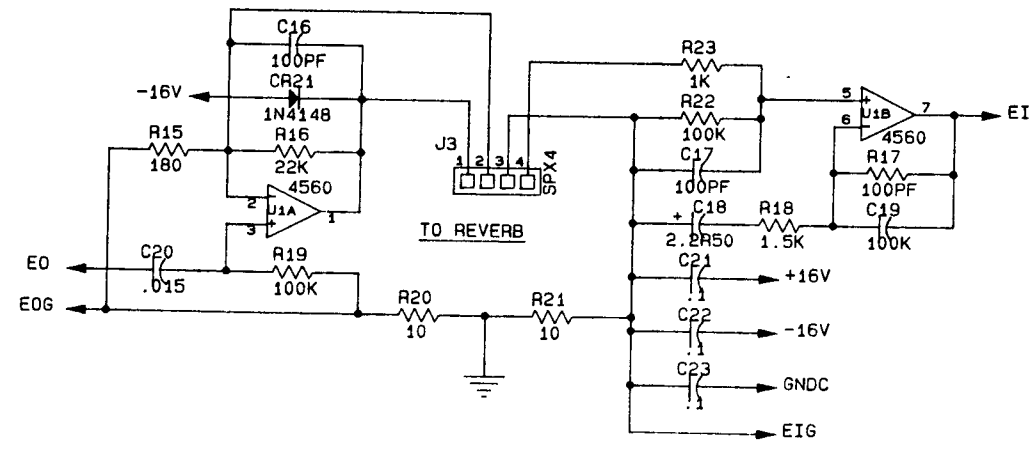
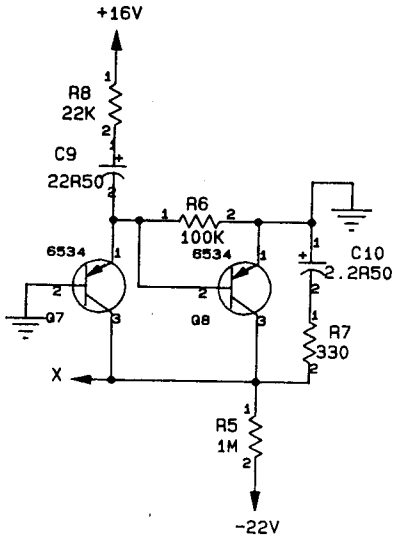
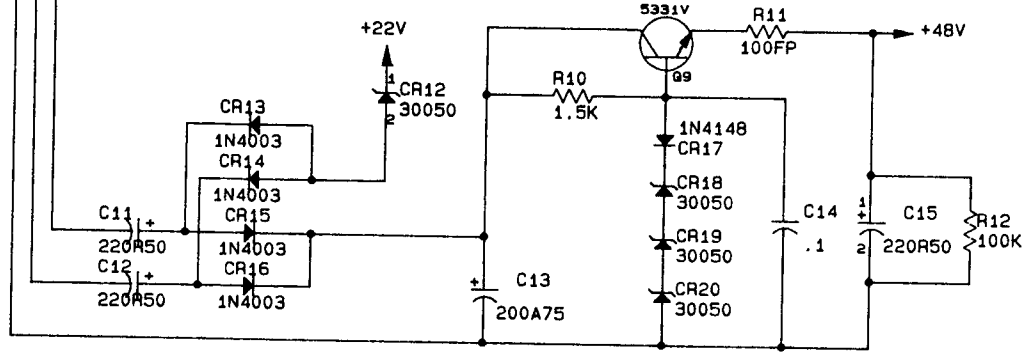
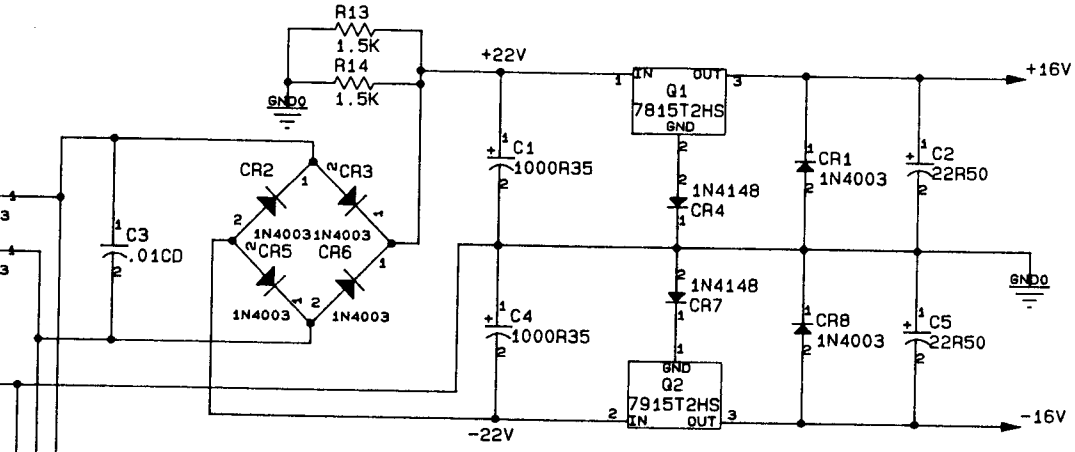
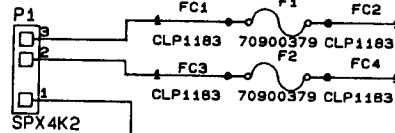


**XR™ 500C**  
 MASTER BD. # 98810220 (8/9/85)  
 PREAMP BD. # 98810200 (8/9/85)

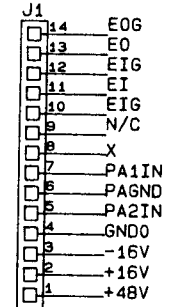
PEAVEY ELECTRONICS CORP. MERIDIAN, MS	
DRAWN BY <i>lp</i>	DATE <i>9/17/84</i>
C.B. CK.	
CK. BY <i>lp</i>	
APPR. BY <i>lp</i>	

P/N 81515150

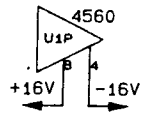
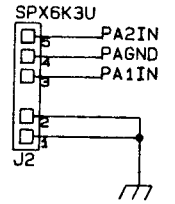
TO TRANSFORMER



TO PREAMP

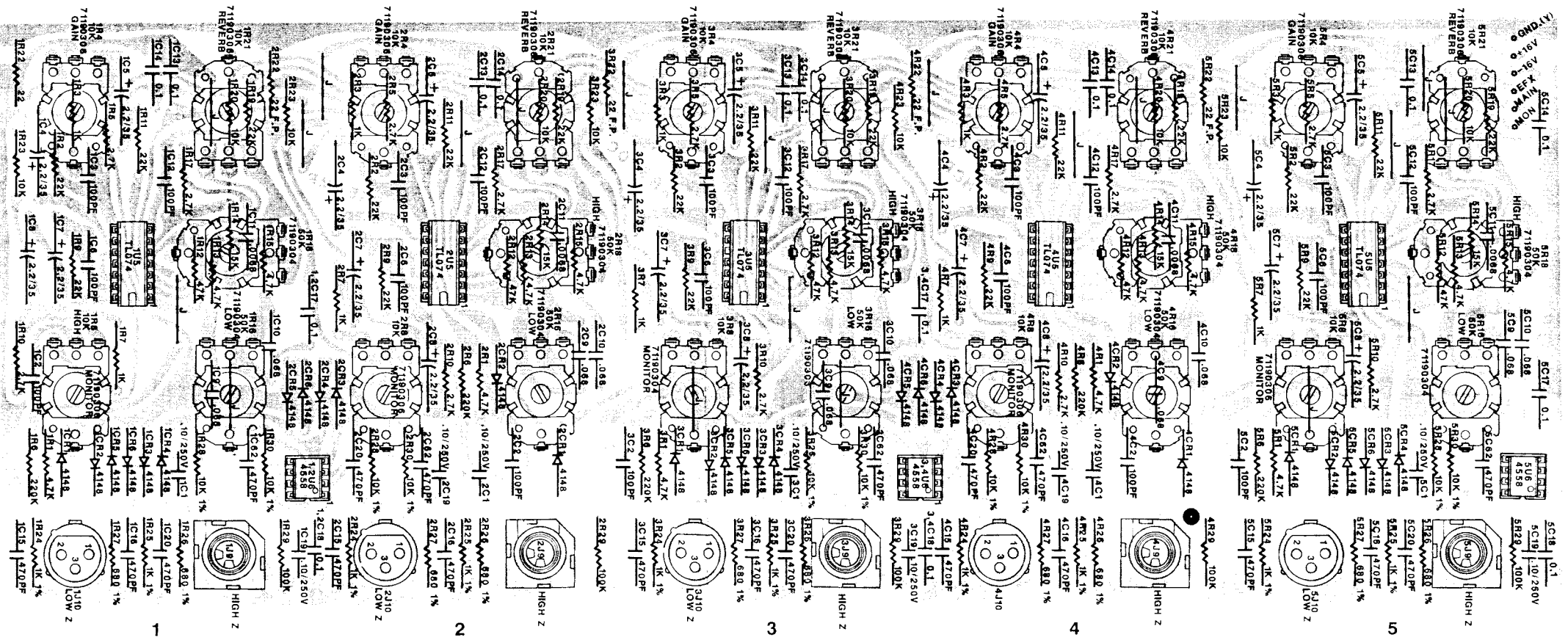


TO POWER AMPLIFIER



PEAVEY ELECTRONICS CORP. 711 A STREET MERIDIAN, MISSISSIPPI 39301			
TITLE: XR Power Supply 98898040			
PROJECT: #P9100035	MRP:	99598040	
SIZE: B	NUMBER: 81520375	REV: A	
DATE: 20-JAN-94	SHEET 1 OF 1		

XR<sup>®</sup> 500C PREAMP BD.



1

2

Z

3

Z

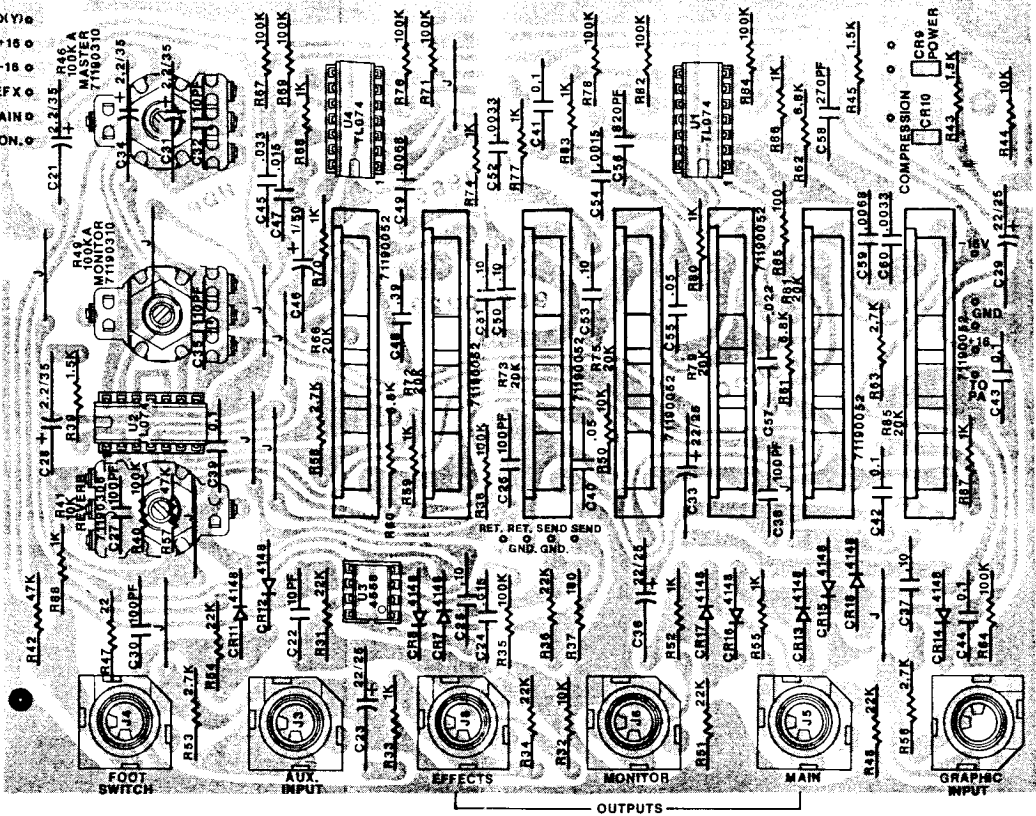
4

Z

5

Z

GND(Y) 0  
 +16 0  
 +16 0  
 REF 0  
 MAIN 0  
 MON 0



XR-500C MASTER BD.



R138	47K	70240031	47K—1/4W—5%—CF—T&R
R139	4.7K	70240023	4.7K—1/4W—5%—CF—T&R
R140	18	70240006	18—1/4W—5%—CF—T&R
R141	220K	70240036	220K—1/4W—5%—CF—T&R
R142	4.7K	70240023	4.7K—1/4W—5%—CF—T&R
R143	47FP	70240090	47FP—1/4W—5%—FP—T&R
R144	680	70240016	680—1/4W—5%—CF—T&R
R200	1.5KW1	70210007	1.5K—1W—5%—MO—T&R
R201	47	70240008	47—1/4W—5%—CF—T&R
R202	2.7KW1	70210016	2.7K—1W—5%—MO—T&R
R203	100FP	70240096	100FP—1/4W—5%—FP—T&R
R204	180	70240012	180—1/4W—5%—CF—T&R
R205	18	70240006	18—1/4W—5%—CF—T&R
R206	1.82KP1	70241078	1.82K—1/4W—1%—CF—T&R
R207	47K	70240031	47K—1/4W—5%—CF—T&R
R208	1K	70240017	1K—1/4W—5%—CF—T&R
R209	33K	70240030	33K—1/4W—5%—CF—T&R
R210	22W1	70210001	22—1W—5%—MO—T&R
R211	.33W5	70250003	.33—5W—10%—WW—AXL
R212	.33W5	70250003	.33—5W—10%—WW—AXL
R213	47K	70240031	47K—1/4W—5%—CF—T&R
R214	47	70240008	47—1/4W—5%—CF—T&R
R215	68	70240009	68—1/4W—5%—CF—T&R
R216	1.82KP1	70241078	1.82K—1/4W—1%—CF—T&R
R217	2.7K	70240021	2.7K—1/4W—5%—CF—T&R
R218	10K	70240025	10K—1/4W—5%—CF—T&R
R219	100K	70240034	100K—1/4W—5%—CF—T&R
R220	22K	70240029	22K—1/4W—5%—CF—T&R
R221	.33W5	70250003	.33—5W—10%—WW—AXL
R222	.33W5	70250003	.33—5W—10%—WW—AXL
R223	4.7KW1	70210006	4700—1W—5%—MO—T&R
R224	22W1	70210001	22—1W—5%—MO—T&R
R225	47	70240008	47—1/4W—5%—CF—T&R
R226	68	70240009	68—1/4W—5%—CF—T&R
R227	68	70240009	68—1/4W—5%—CF—T&R
R228	150	70240001	150—1/4W—5%—CF—T&R
R229	470	70240015	470—1/4W—5%—CF—T&R
R230	100FP	70240096	100FP—1/4W—5%—FP—T&R
R231	10K	70240025	10K—1/4W—5%—CF—T&R
R232	68K	70240032	68K—1/4W—5%—CF—T&R
R233	47K	70240031	47K—1/4W—5%—CF—T&R
R234	68K	70240032	68K—1/4W—5%—CF—T&R
R235	47K	70240031	47K—1/4W—5%—CF—T&R
R236	1K	70240017	1K—1/4W—5%—CF—T&R
R237	2.7K	70240021	2.7K—1/4W—5%—CF—T&R
R238	47K	70240031	47K—1/4W—5%—CF—T&R
R239	4.7K	70240023	4.7K—1/4W—5%—CF—T&R
R240	18	70240006	18—1/4W—5%—CF—T&R
R241	220K	70240036	220K—1/4W—5%—CF—T&R
R242	4.7K	70240023	4.7K—1/4W—5%—CF—T&R
R243	47FP	70240090	47FP—1/4W—5%—FP—T&R
R244	680	70240016	680—1/4W—5%—CF—T&R
U100	4560	70414560	4560 DUAL OP AMP IC
U101	13080	70413080	LM3080N CUSTOM SELECTED
U200	4560	70414560	4560 DUAL OP AMP IC
U201	13080	70413080	LM3080N CUSTOM SELECTED