

THIS DOCUMENT CONTAINS PROPRIETARY INFORMATION WHICH IS THE PROPERTY OF QSC AUDIO PRODUCTS, THAT MAY NOT BE DISCLOSED, REPRODUCED OR USED WITHOUT EXPRESS WRITTEN CONSENT FROM QSC AUDIO PRODUCTS.

2. COMPONENTS WITH VALUE PREFIXED WITH A "*" REPRESENT SMT COMPONENTS.
 1. THIS DRAWING USED IN CONJUNCTION WITH ASSEMBLY WP-001825-XX.
 NOTES: UNLESS OTHERWISE SPECIFIED

| TABULATION BLOCK | | |
|------------------|-----------|---------------------|
| DASH NO. | F1 | R321, 322, 326, 328 |
| -00 (120V) | 25A, 125V | 487K |
| -01 (100V) | 30A, 125V | 392K |
| -02 (230V) | 15A, 250V | 487K |

| QTY | ITEM NO. | PART NO. | DESCRIPTION | VENDOR |
|---|----------|----------|---|--------|
| PARTS LIST | | | | |
| UNLESS OTHERWISE SPECIFIED DIMENSIONS ARE IN INCHES. DIMENSIONS PER ANSI Y14.5-1982 TOLERANCES ARE: DECIMALS DECIMALS ANGLES .XX ± .XXX ± ° DEBURR EDGES .XXX R MAX MATERIAL | | | CONTRACT NO. | |
| FINISH | | | APPROVALS DATE | |
| APPLICATION | | | DRAWN PAT QUILTER 9-29-99 | |
| DO NOT SCALE DRAWING | | | CHECKED W. RULAND 11-5-99 | |
| NEXT ASSY USED ON | | | ISSUED T. SHOOK 11-9-99 | |
| CAD SEED FILE NO. | | | PLOT DATE: Thu May 04, 2000 | |
| | | | SCALE NONE CAD FILE NO. SH1825-B.sch SHEET 1 OF 7 | |

QSC AUDIO PRODUCTS, INC.
COSTA MESA, CALIFORNIA

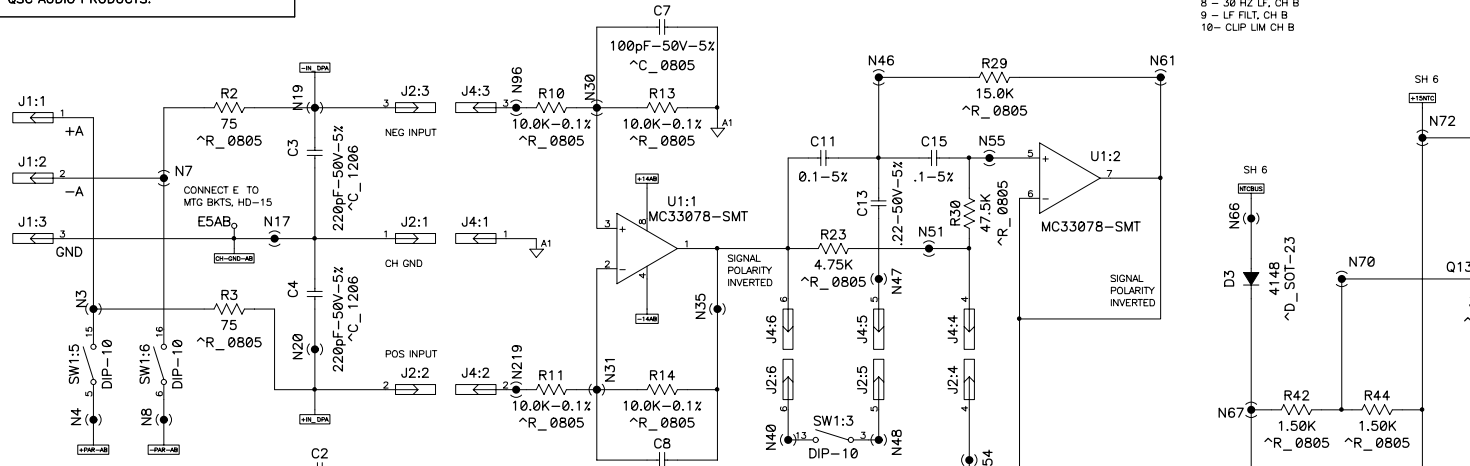
SCHEMATIC DIAGRAM
DCA 1824

SIZE **D** FSCM NO. DWG NO. **SH-001825-00** REV

REV. 1 SH-001825-00 DWG NO.

THIS DOCUMENT CONTAINS PROPRIETARY INFORMATION WHICH IS THE PROPERTY OF QSC AUDIO PRODUCTS, THAT MAY NOT BE DISCLOSED, REPRODUCED OR USED WITHOUT EXPRESS WRITTEN CONSENT FROM QSC AUDIO PRODUCTS.

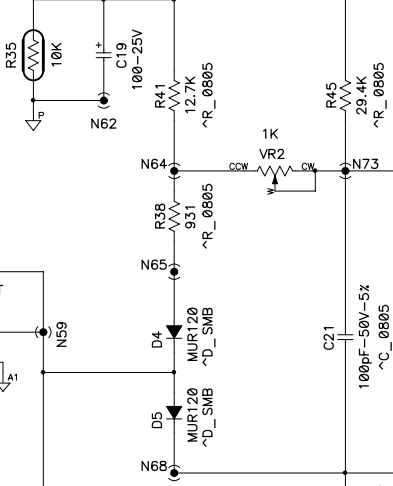
INPUT AND FILTER SECTION, CH A



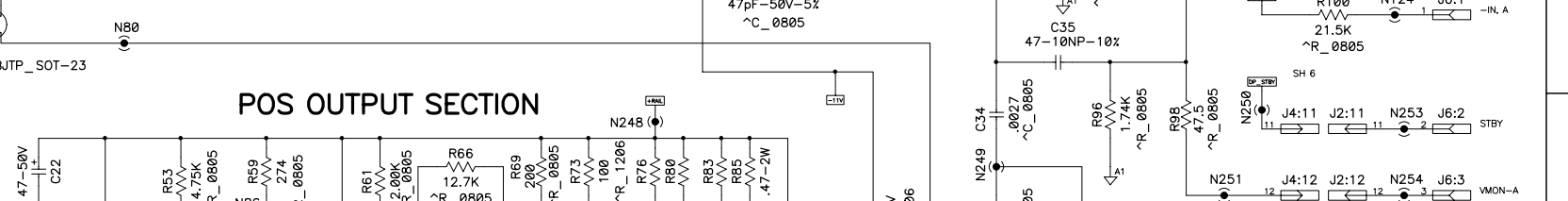
DIP SWITCH TABLE, 10-POS

- CLIP LIM, CH-A
- LF FILT, CH-A
- 30 HZ LF, CH-A
- PAR INPUT LED
- PAR INPUTS, +
- PAR INPUTS, -
- BR MONO
- 30 HZ LF, CH B
- LF FILT, CH B
- CLIP LIM CH B

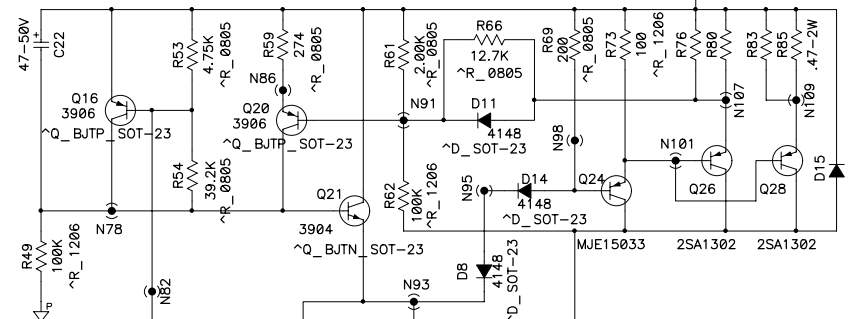
THERMAL AND BIAS SENSING



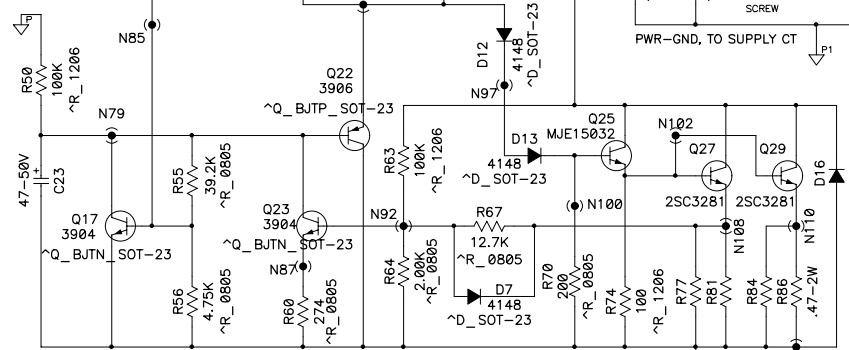
CH A V-MON, I-MON



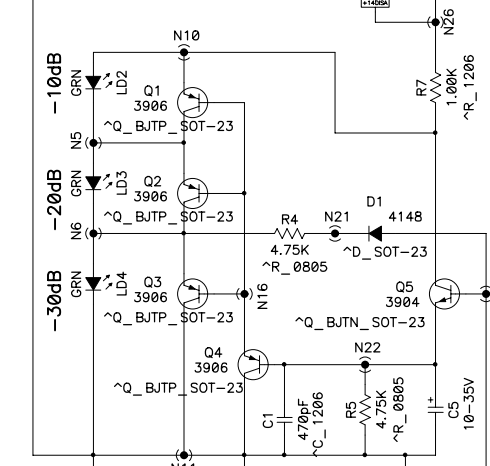
POS OUTPUT SECTION



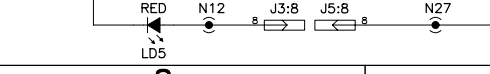
NEG OUTPUT SECTION



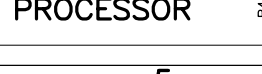
LED-SIGNAL DISPLAY



CLIP A



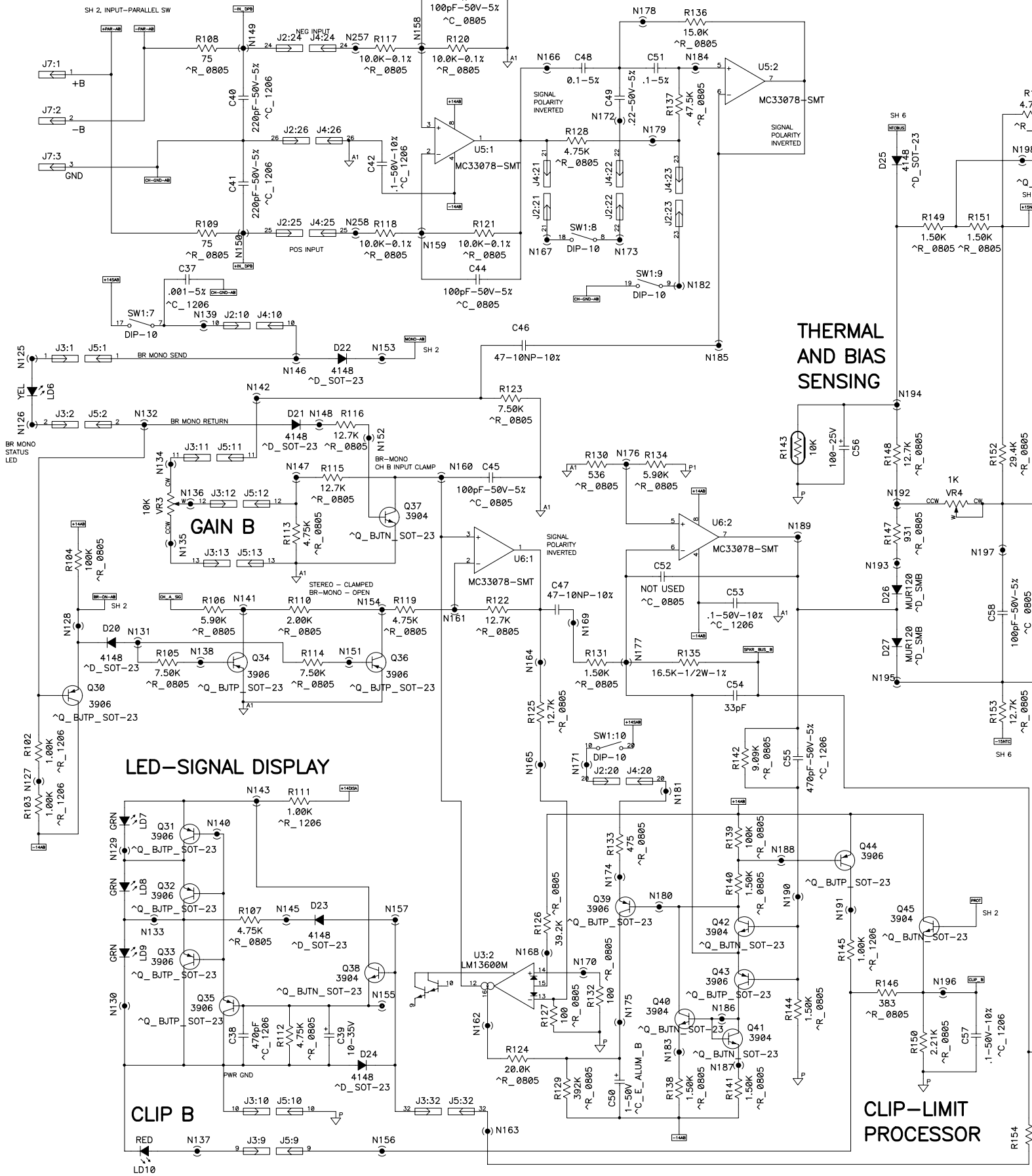
CLIP-LIMIT PROCESSOR



THIS DOCUMENT CONTAINS PROPRIETARY INFORMATION WHICH IS THE PROPERTY OF QSC AUDIO PRODUCTS, THAT MAY NOT BE DISCLOSED, REPRODUCED OR USED WITHOUT EXPRESS WRITTEN CONSENT FROM QSC AUDIO PRODUCTS.

INPUT AND FILTER SECTION, CH B

- DIP SWITCH TABLE, 10-POS
- 1 - CLIP LIM CH-A
 - 2 - LF FILT, CH-A
 - 3 - 30 HZ LF, CH-A
 - 4 - PAR INPUT LED
 - 5 - PAR INPUTS, +
 - 6 - PAR INPUTS, -
 - 7 - BR MONO
 - 8 - 30 HZ LF, CH B
 - 9 - LF FILT, CH B
 - 10 - CLIP LIM CH B



CH B V-MON, I-MON

POS OUTPUT SECTION

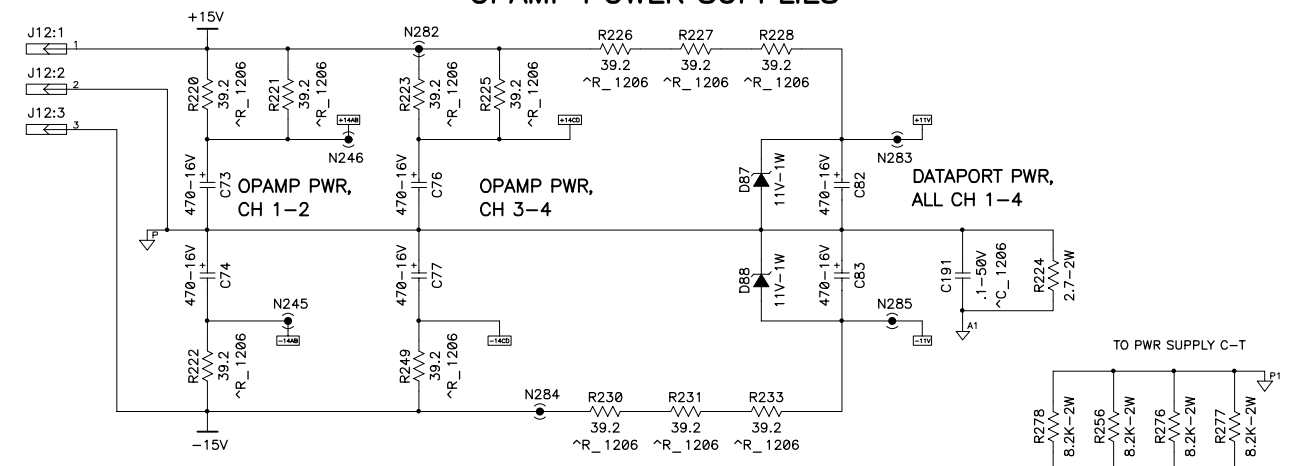
NEG OUTPUT SECTION

THERMAL AND BIAS SENSING

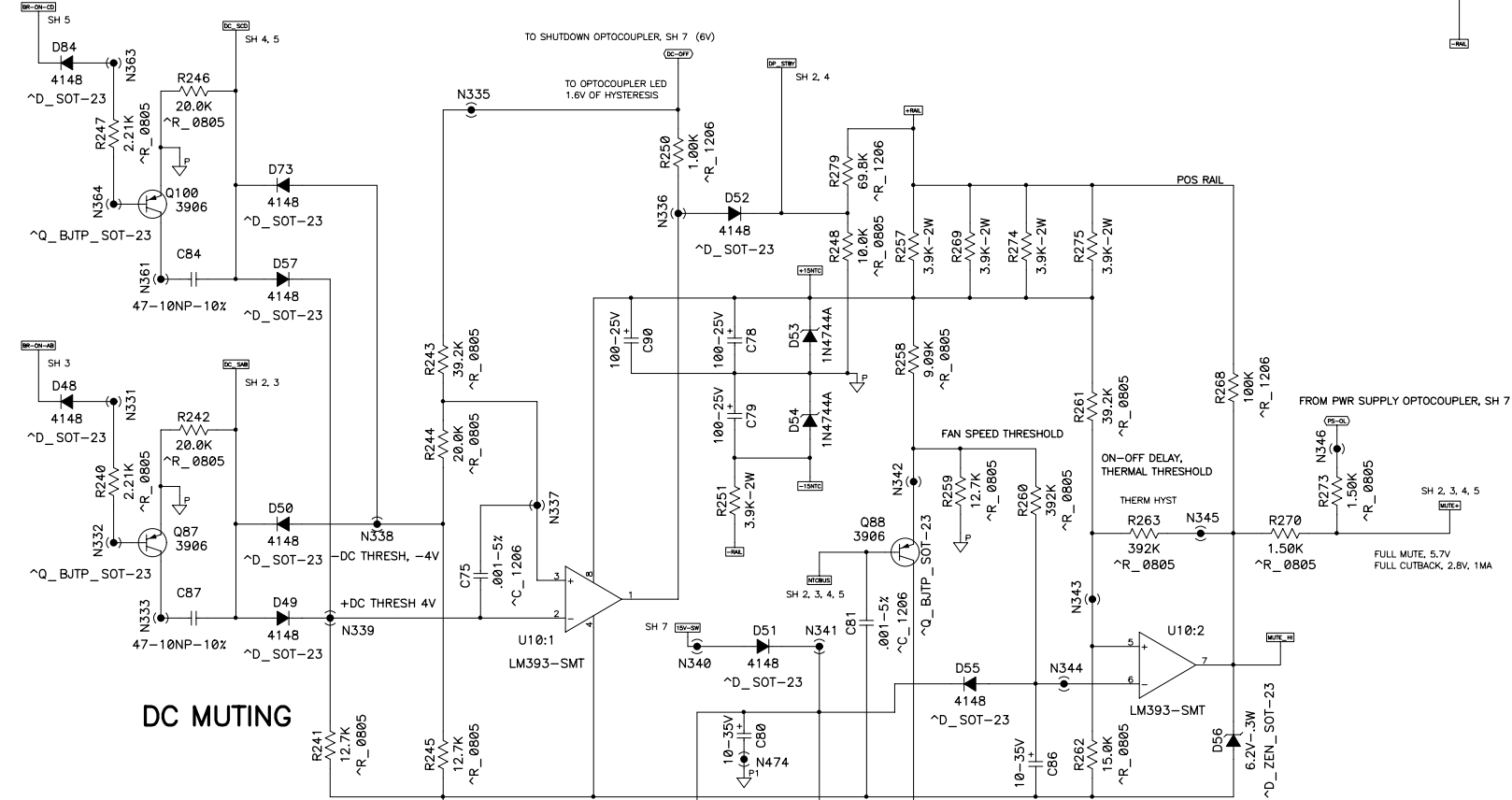
CLIP-LIMIT PROCESSOR

THIS DOCUMENT CONTAINS PROPRIETARY INFORMATION WHICH IS THE PROPERTY OF QSC AUDIO PRODUCTS. THAT MAY NOT BE DISCLOSED, REPRODUCED OR USED WITHOUT EXPRESS WRITTEN CONSENT FROM QSC AUDIO PRODUCTS.

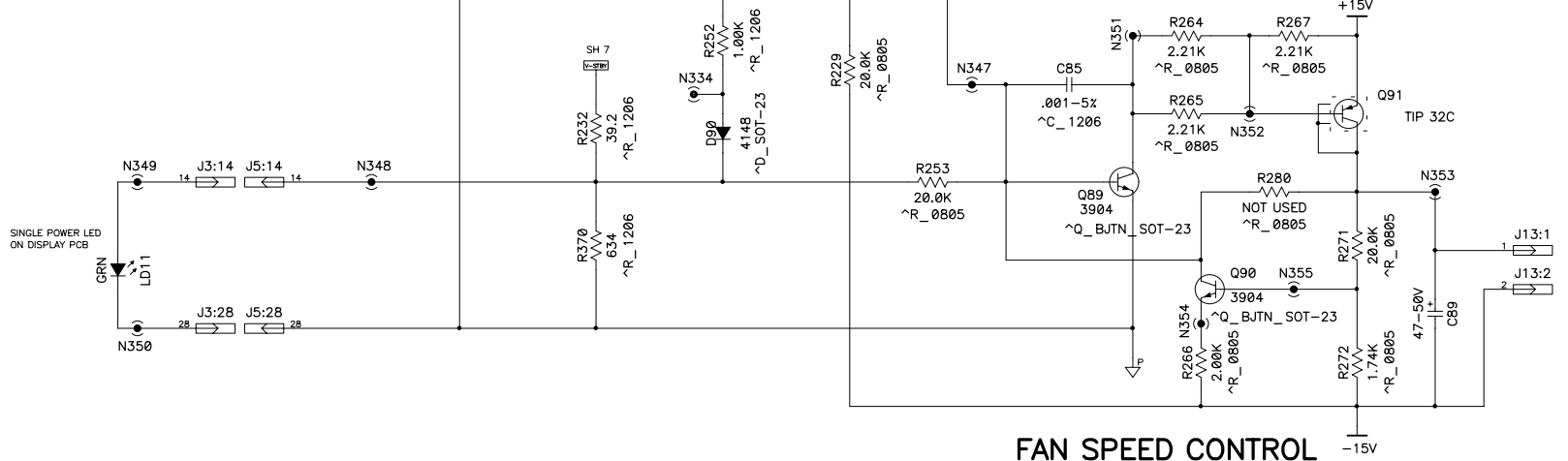
OPAMP POWER SUPPLIES



DC MUTING



FAN SPEED CONTROL



THIS DOCUMENT CONTAINS PROPRIETARY INFORMATION WHICH IS THE PROPERTY OF QSC AUDIO PRODUCTS. THAT MAY NOT BE DISCLOSED, REPRODUCED OR USED WITHOUT EXPRESS WRITTEN CONSENT FROM QSC AUDIO PRODUCTS.

