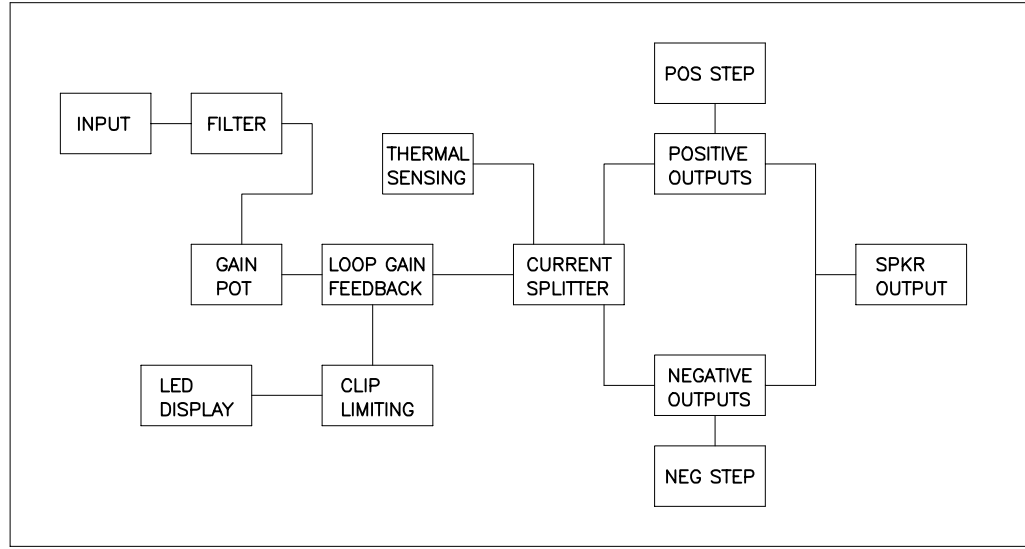
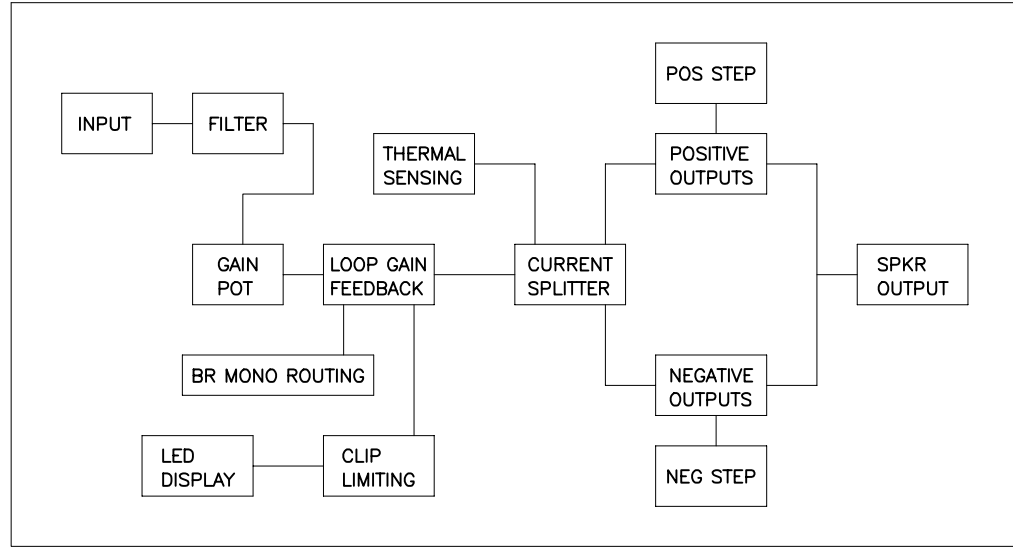


THIS DOCUMENT CONTAINS PROPRIETARY INFORMATION WHICH IS THE PROPERTY OF QSC AUDIO PRODUCTS, THAT MAY NOT BE DISCLOSED, REPRODUCED OR USED WITHOUT EXPRESS WRITTEN CONSENT FROM QSC AUDIO PRODUCTS.

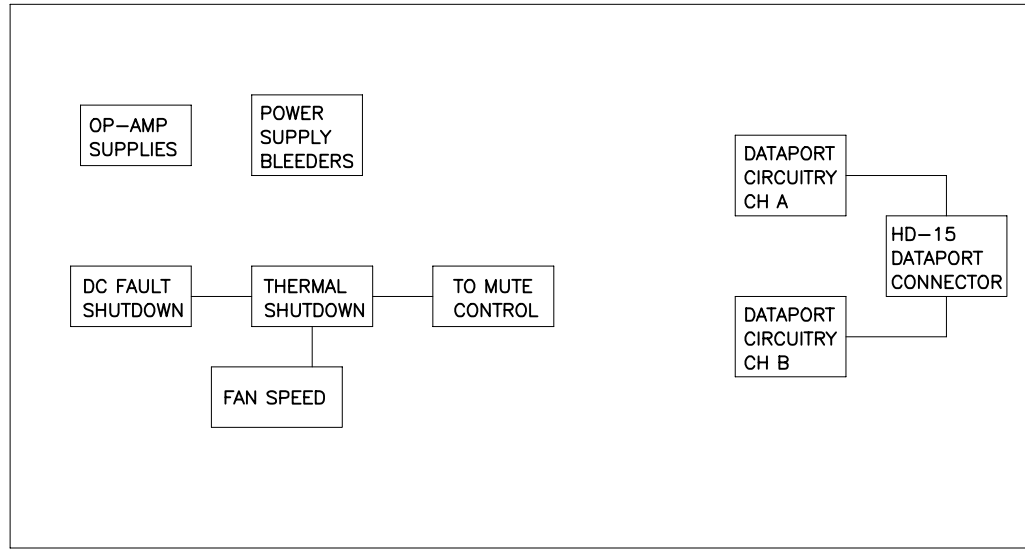
REVISION



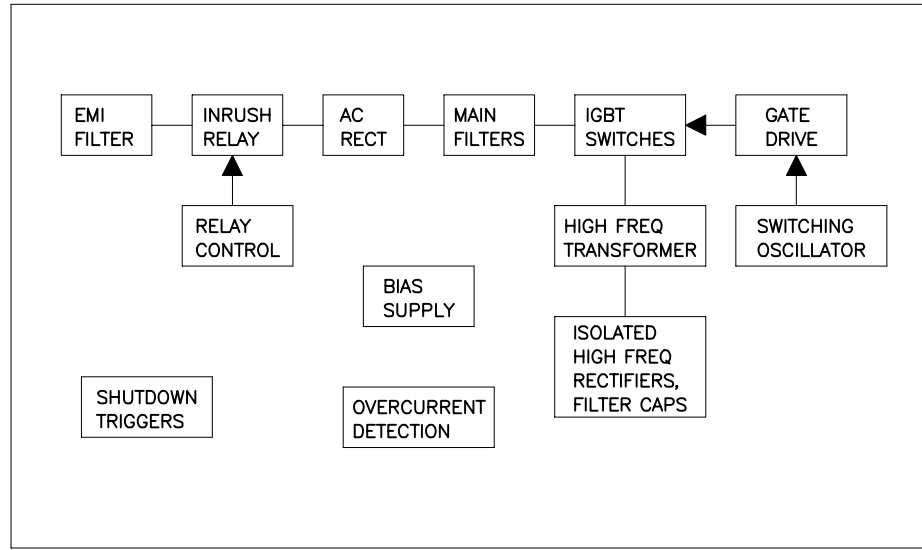
CHANNEL A  
AUDIO CIRCUITS  
SHEET 2



CHANNEL B  
AUDIO CIRCUITS  
SHEET 3



SUPPORT,  
PROTECTION  
AND DATAPORT  
CIRCUITS  
SHEET 4



SWITCHING  
POWER  
SUPPLY  
SHEET 5

TABULATION BLOCK			
DASH NO.	F1	1	R321, 322, 326, 328 2
-00 (120V)	25A, 125V		487K
-01 (100V)	25A, 125V		392K
-02 (230V)	15A, 250V		487K

QTY	ITEM NO.	PART NO.	DESCRIPTION	VENDOR
PARTS LIST				
UNLESS OTHERWISE SPECIFIED DIMENSIONS ARE IN INCHES. DIMENSIONS PER ANSI Y14.5-1982 TOLERANCES ARE: DECIMALS DECIMALS ANGLES .XX ± .XXX ± ° DEBURR EDGES .XXX R MAX MATERIAL			CONTRACT NO.	
FINISH			APPROVALS	DATE
NEXT ASSY USED ON			DRAWN PAT QUILTER	5-15-98
APPLICATION			CHECKED R. BECKER	2-10-99
DO NOT SCALE DRAWING			ISSUED T. SHOOK	2-10-99
CAD SEED FILE NO.			PLOT DATE: Thu May 04, 2000	SCALE NONE
			CAD FILE NO. SH0101-H.sch	SHEET 1 OF 5

**QSC** AUDIO PRODUCTS, INC.  
COSTA MESA, CALIFORNIA

**SCHEMATIC DIAGRAM**  
**CX502**

SH-000101-00

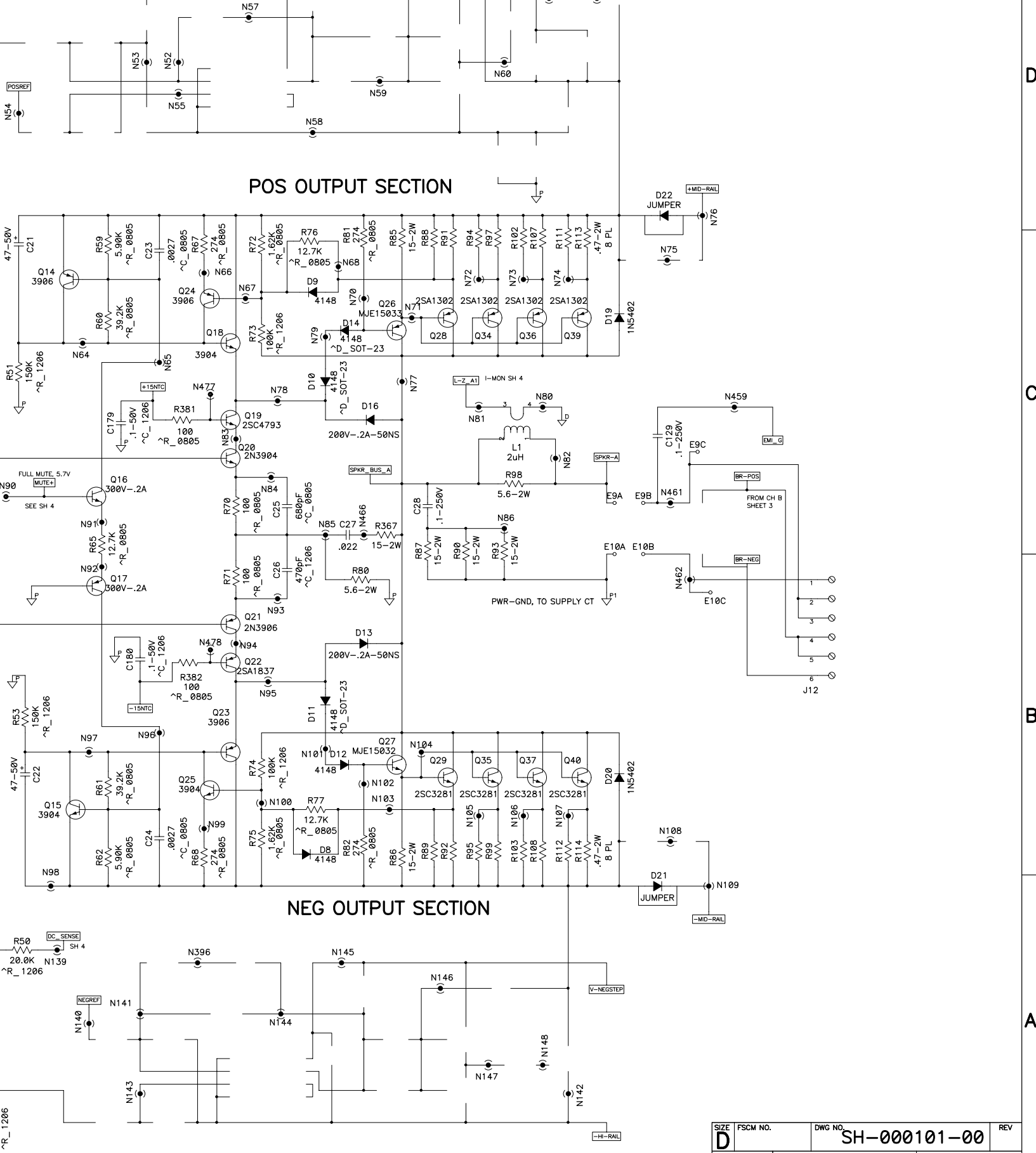
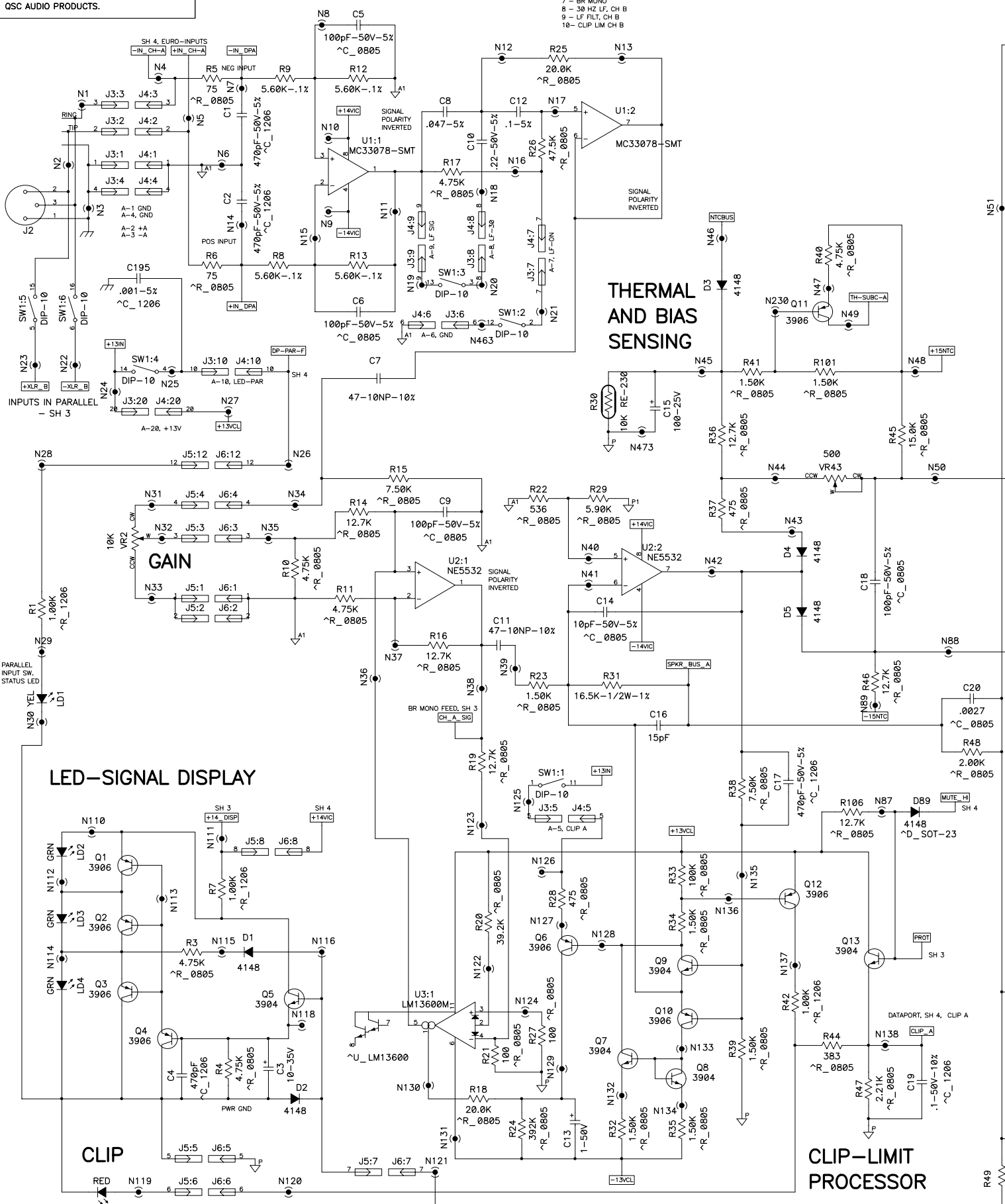
2. COMPONENTS WITH VALUE PREFIXED WITH A "\*" REPRESENT SMT COMPONENTS.  
1. THIS DRAWING USED IN CONJUNCTION WITH ASSEMBLY WP-000101-XX.  
NOTES: UNLESS OTHERWISE SPECIFIED

THIS DOCUMENT CONTAINS PROPRIETARY INFORMATION WHICH IS THE PROPERTY OF QSC AUDIO PRODUCTS, THAT MAY NOT BE DISCLOSED, REPRODUCED OR USED WITHOUT EXPRESS WRITTEN CONSENT FROM QSC AUDIO PRODUCTS.

# INPUT AND FILTER SECTION, CH A

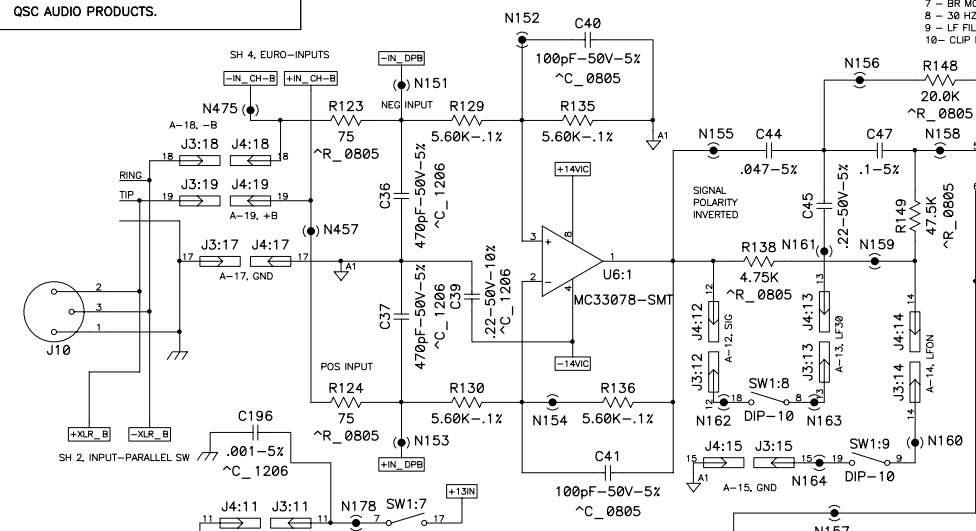
DIP SWITCH TABLE, 10-POS

- 1 - CLIP LIM, CH-A
- 2 - LF FILT, CH-A
- 3 - 30 HZ LF, CH-A
- 4 - PAR INPUT LED
- 5 - PAR INPUTS, +
- 6 - PAR INPUTS, -
- 7 - BR MONO
- 8 - 30 HZ LF, CH B
- 9 - LF FILT, CH B
- 10 - CLIP LIM CH B



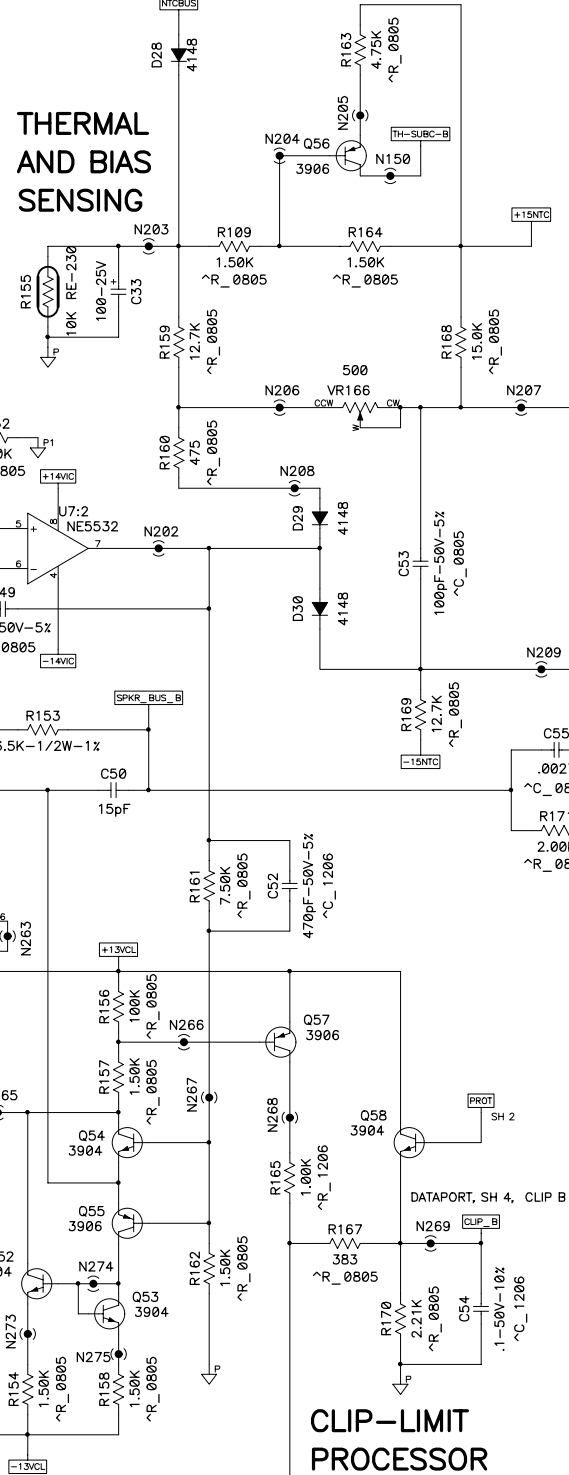
THIS DOCUMENT CONTAINS PROPRIETARY INFORMATION WHICH IS THE PROPERTY OF QSC AUDIO PRODUCTS, THAT MAY NOT BE DISCLOSED, REPRODUCED OR USED WITHOUT EXPRESS WRITTEN CONSENT FROM QSC AUDIO PRODUCTS.

### INPUT AND FILTER SECTION, CH B



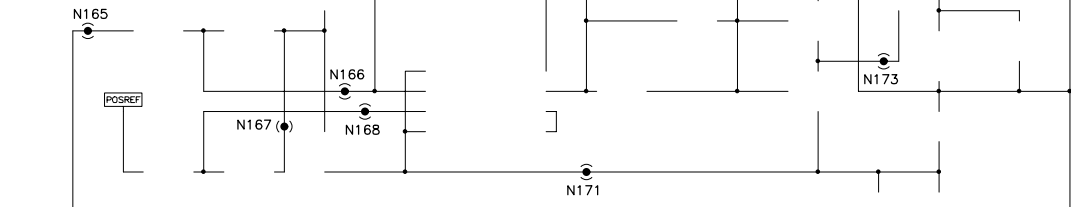
- DIP SWITCH TABLE, 10-POS
- 1 - CLIP LIM, CH-A
  - 2 - LF FILT, CH-A
  - 3 - 30 HZ LF, CH-A
  - 4 - PAR INPUT LED
  - 5 - PAR INPUTS, +
  - 6 - PAR INPUTS, -
  - 7 - BR MONO
  - 8 - 30 HZ LF, CH B
  - 9 - LF FILT, CH B
  - 10 - CLIP LIM CH B

### THERMAL AND BIAS SENSING



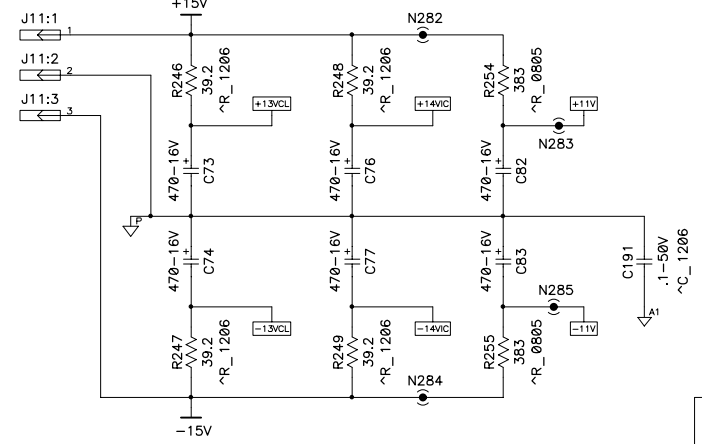
### CLIP-LIMIT PROCESSOR

### POS STEP DRIVER

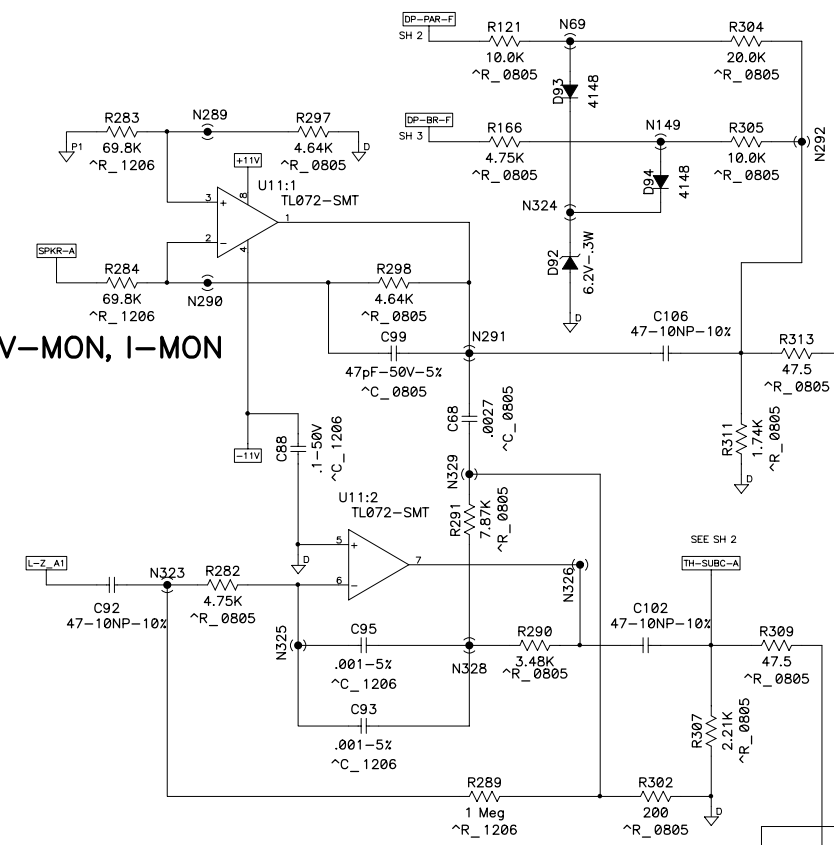


THIS DOCUMENT CONTAINS PROPRIETARY INFORMATION WHICH IS THE PROPERTY OF QSC AUDIO PRODUCTS, THAT MAY NOT BE DISCLOSED, REPRODUCED OR USED WITHOUT EXPRESS WRITTEN CONSENT FROM QSC AUDIO PRODUCTS.

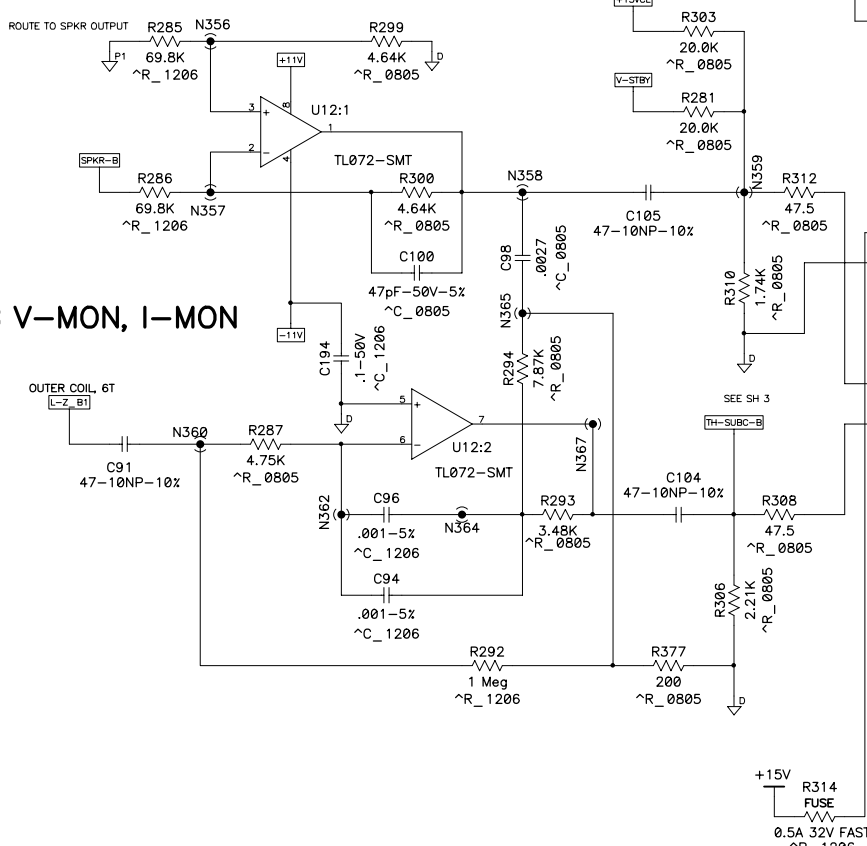
### OPAMP POWER SUPPLIES



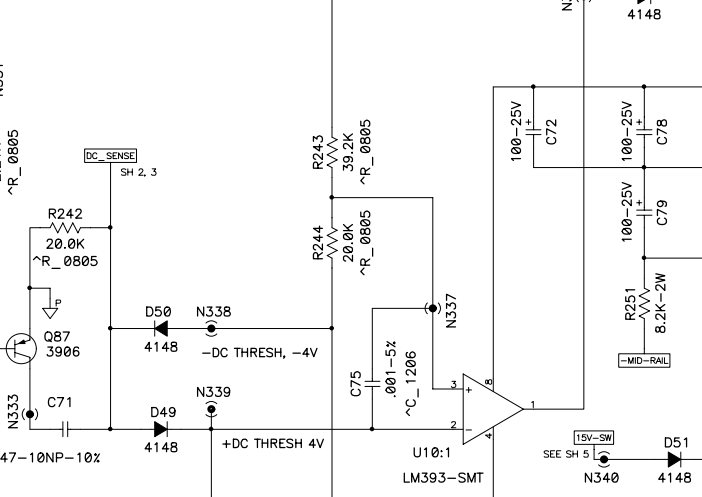
### CH A V-MON, I-MON



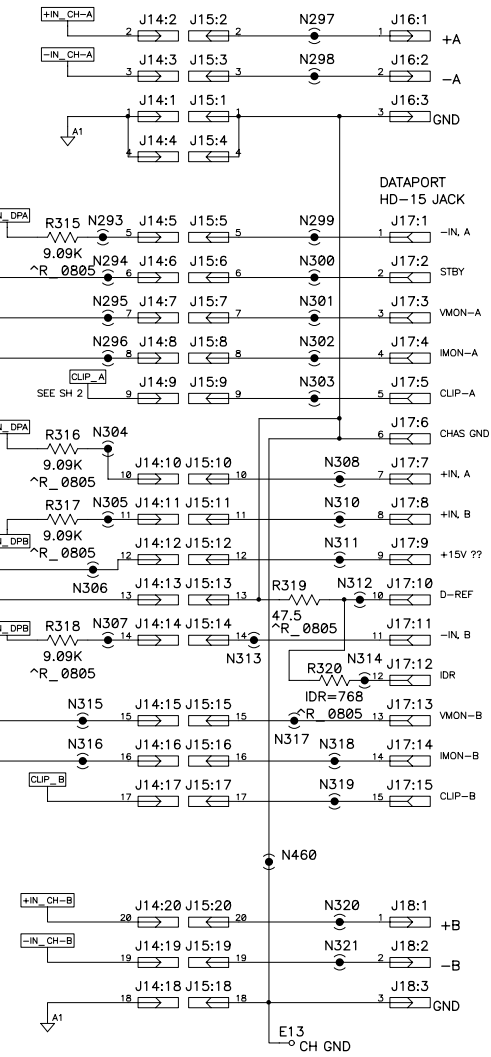
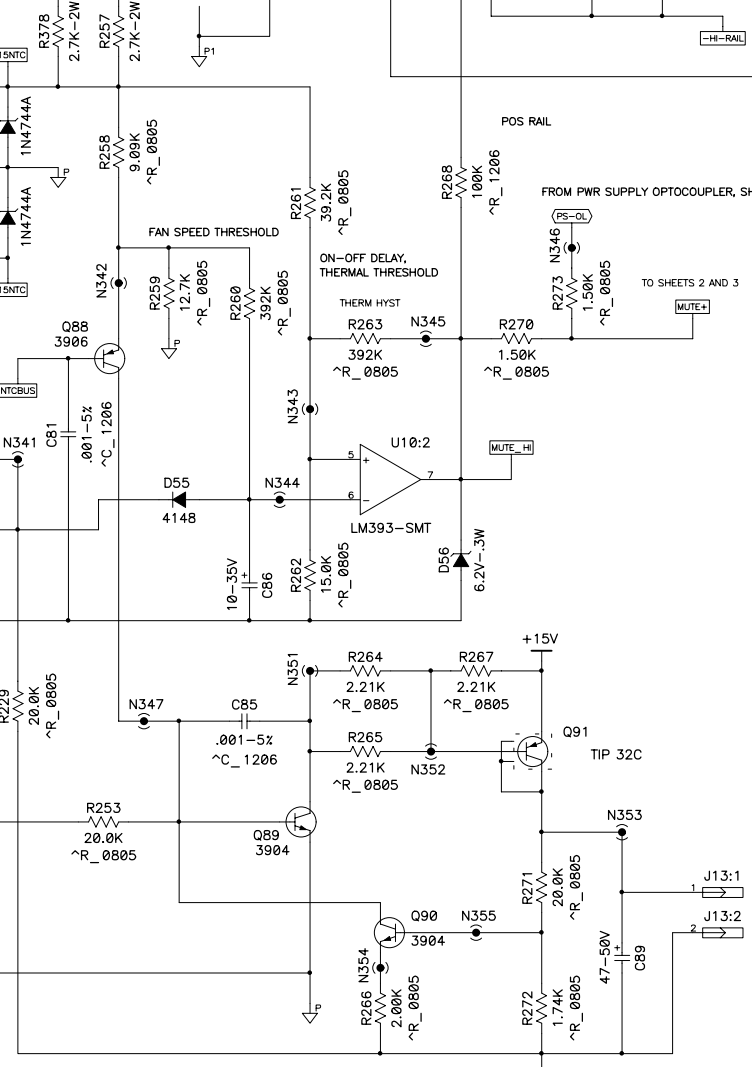
### CH B V-MON, I-MON



### DC MUTING



### FAN SPEED CONTROL



THIS DOCUMENT CONTAINS PROPRIETARY INFORMATION WHICH IS THE PROPERTY OF QSC AUDIO PRODUCTS, THAT MAY NOT BE DISCLOSED, REPRODUCED OR USED WITHOUT EXPRESS WRITTEN CONSENT FROM QSC AUDIO PRODUCTS.

