

This document and the data disclosed herein or herewith is not to be reproduced, used, or disclosed in whole or in part to anyone without the written permission of THAT Corporation.

Rev	Description	Date	Approved
00	Released	8/31/99	

L/C ADC
314-0200.SCH



Dataport I DAC
314-1100.SCH



Glue Logic and RS232
314-2000.SCH



R/SW ADC
314-0300.SCH



Dataport J DAC
314-1200.SCH



DSP 0
314-2100.SCH



LC/RC ADC
314-0400.SCH



Dataport K DAC
314-1300.SCH



DSP 1
314-2200.SCH



Dataport A DAC
314-0500.SCH



Dataport M
314-1400.SCH



DSP 2
314-2300.SCH



Dataport B DAC
314-0600.SCH



Dataport N
314-1500.SCH



Power Supply & Surround Inputs
314-2400.SCH



Dataport C DAC
314-0700.SCH



Dataport O
314-1600.SCH



I/O
314-2500.SCH



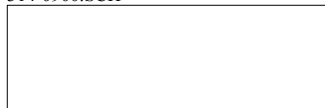
Dataport E DAC
314-0800.SCH



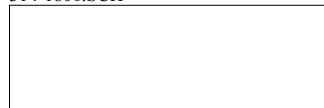
Proc Monitor and HI Mix
314-1700.SCH



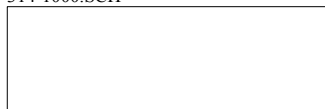
Dataport F DAC
314-0900.SCH



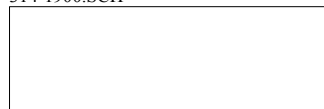
Switch Control and Aux Power
314-1800.SCH



Dataport G DAC
314-1000.SCH



Microcontroller
314-1900.SCH



UNLESS OTHERWISE NOTED:

- 1.0 All resistor values are expressed in Ohms.
- 1.1 All resistors are 1/4 Watt types with their tolerance and material coded into their value.

VALUE	1%, Metal Film	5%, Carbon Film
0 Ohm to 0.99 Ohms	0R to 0R976	0R to 0R91
1 Ohm to 99 Ohms	1R00 to 97R6	1R0 to 91R
100 Ohms to 999 Ohms	100R0 to 976R0	100R to 910R
1k Ohm to 9k9 Ohms	1k00 to 9k76	1k0 to 9k1
10k Ohms to 99k Ohms	10k0 to 97k6	10k to 91k
100k Ohms to 999k Ohms	100k0 to 976k0	100k to 910k
1M Ohm to 99M Ohms	1M00 to 97M6	1M0 to 91M

- 2. All resistor networks are 2%, 1/8 Watt types with their values expressed in Ohms.
- 3.0 All capacitor values are expressed in Farads
- 3.1 All 100n bypass capacitors are 20%, 50 Volt, Z5U, Ceramic Monolythic types. Their Reference Designators are coded as CVXXX where XXX is the associated IC number and V is the associated power supply voltage. Values for V are; 9 = +5, 8 = -5, 7 = +15, 6 = -15, 5 = +12, 4 = -12.
- 3.2 All non-electrolytic capacitors are 10%, 50 Volt, X7R, Ceramic Monolythic types.
- 3.3 All NPO capacitors are 5%, 50 Volt, Ceramic Monolythic types.
- 3.4 All MY capacitors are 5%, 50 Volt, Metalized Polyester types.
- 3.5 All PP capacitors are 5%, 50 Volt, Metalized Polypropylene types.
- 3.6 All PC capacitors are 5%, 50 Volt, Metalized Polycarbonate types.
- 3.7 All electrolytic capacitors are 20%, 16 Volt (or higher), Aluminum Electrolyte types.
- 3.8 All TA capacitors are 20%, 16 Volt (or higher), Tantalum Electrolyte types.
- 4. For complete information on any component please see the associated bill of materials.
- 5. All net names preceded by a / are active low signals.
- 6. IC power supply connections are called out in a table at the bottom of the page(s) the IC appears on. Only non-standard or unique power supply connections will be shown on the schematic sheet.
- 7. V+ = +12, V- = -12, VCC = +5, VEE = -5

THAT Corporation 45 Sumner Street
Milford, MA
508-478-9200

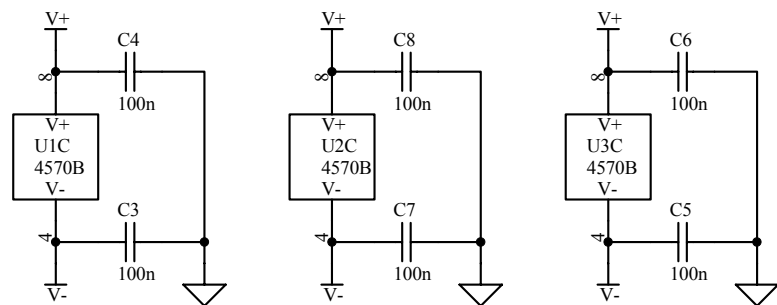
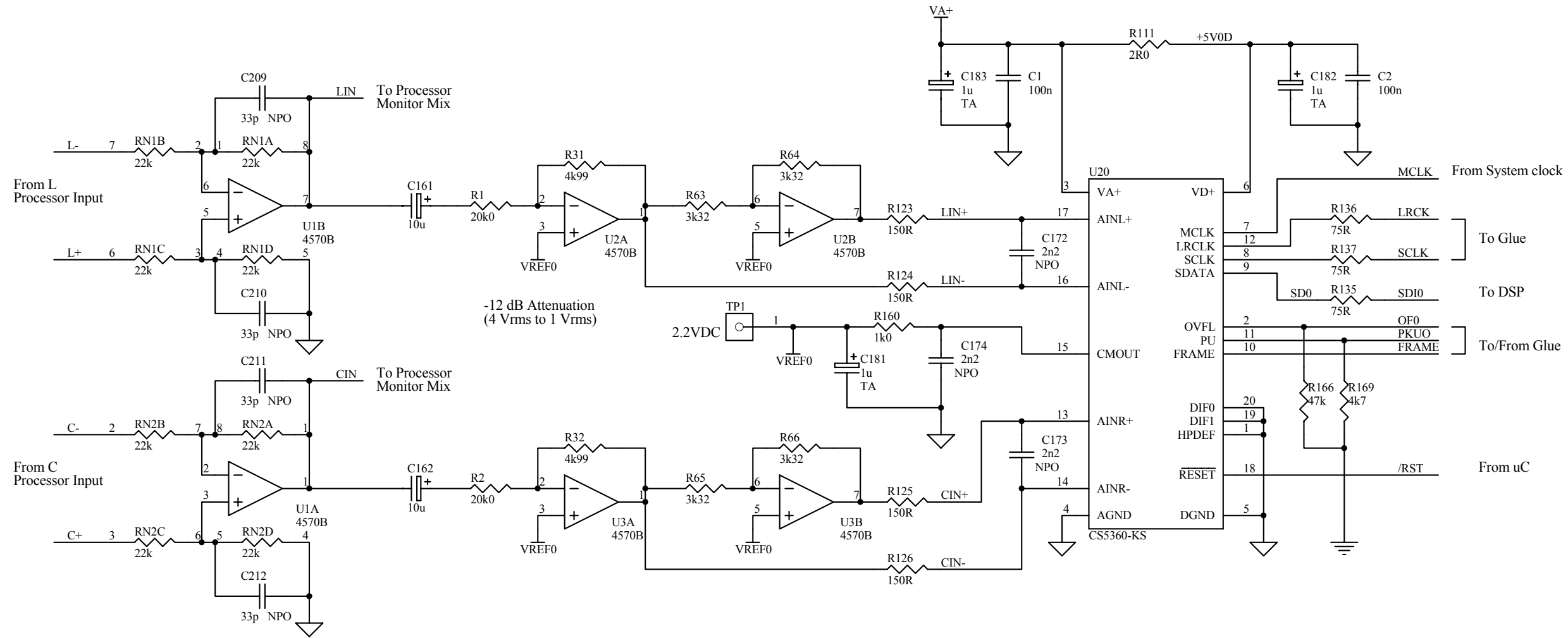
Title: **QSC Digital Cinema Monitor**
DCM-2/DCM-3 Processor Board

Checked:	Date:
Proj. Eng.:	Date:
Chf. Eng.:	Date:
Production:	Date:

Size: B	Drawing Number: 330314	Revision: 00
Date: 19-Sep-2002	Drawn by: CMH	Sheet 1 of 25
File: F:\DM\SH\SH004051gp\CUR_China_REV\314-0100.DDB - Documents\314-01		

This document and the data disclosed herein or herewith is not to be reproduced, used, or disclosed in whole or in part to anyone without the written permission of THAT Corporation.

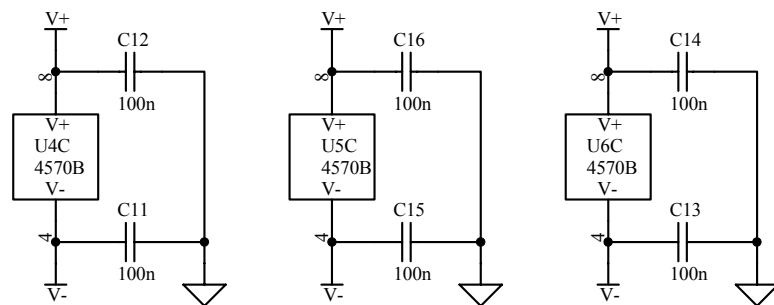
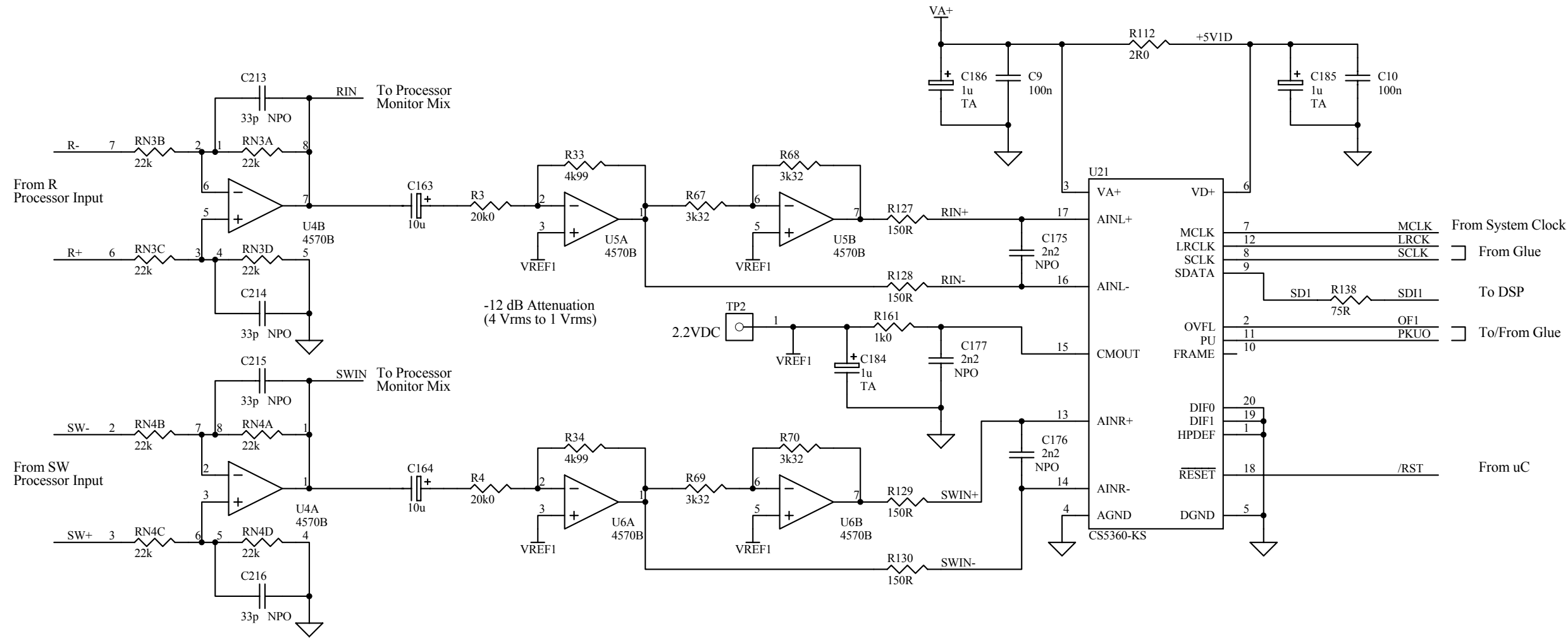
Rev	Description	Date	Approved



THAT Corporation 45 Summer Street Milford, MA 508-478-9200		Title: DCM-2/DCM-3 Processor Board Input Buffers & A/D Converters	
		Size: B	Drawing Number: 330314
Checked:	Date:	Date: 19-Sep-2002	Drawn by: CMH
Proj. Eng.:	Date:	Sheet 2 of 25	File: F:\DM\SH\SH004051gp\CUR_China_REV\314-0100.DDB - Documents\314-02
Chf. Eng.:	Date:	Production:	

This document and the data disclosed herein or herewith is not to be reproduced, used, or disclosed in whole or in part to anyone without the written permission of THAT Corporation.

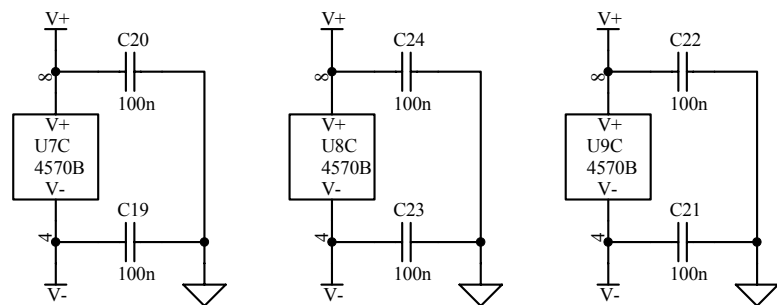
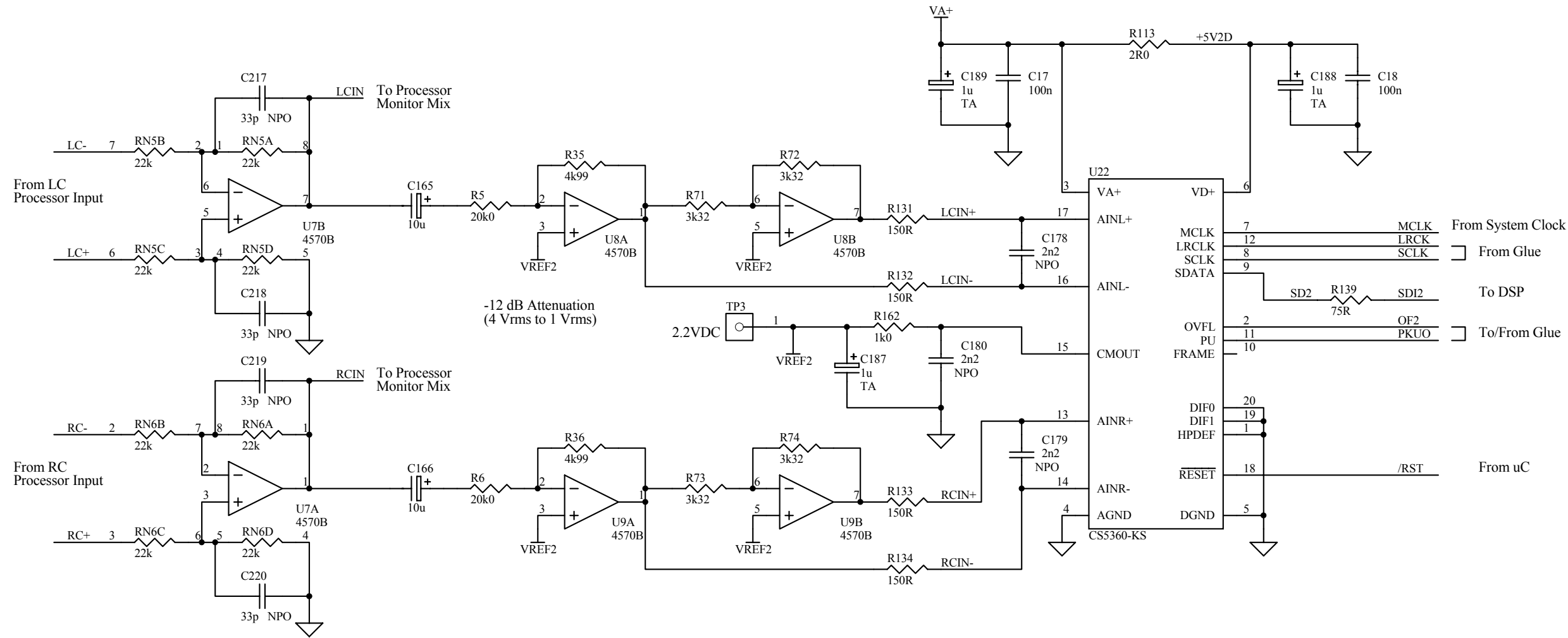
Rev	Description	Date	Approved



THAT Corporation 45 Summer Street Milford, MA 508-478-9200		Title: DCM-2/DCM-3 Processor Board Input Buffers & A/D Converters	
		Size: B	Revision: 00
Checked:	Date:	Date: 19-Sep-2002	Sheet 3 of 25
Proj. Eng.:	Date:	Drawn by: CMH	File: F:\DM\SH\SH004051gp\CUR_China_REV\314-0100.DDB - Documents\314-03
Chf. Eng.:	Date:		
Production:	Date:		

This document and the data disclosed herein or herewith is not to be reproduced, used, or disclosed in whole or in part to anyone without the written permission of THAT Corporation.

Rev	Description	Date	Approved



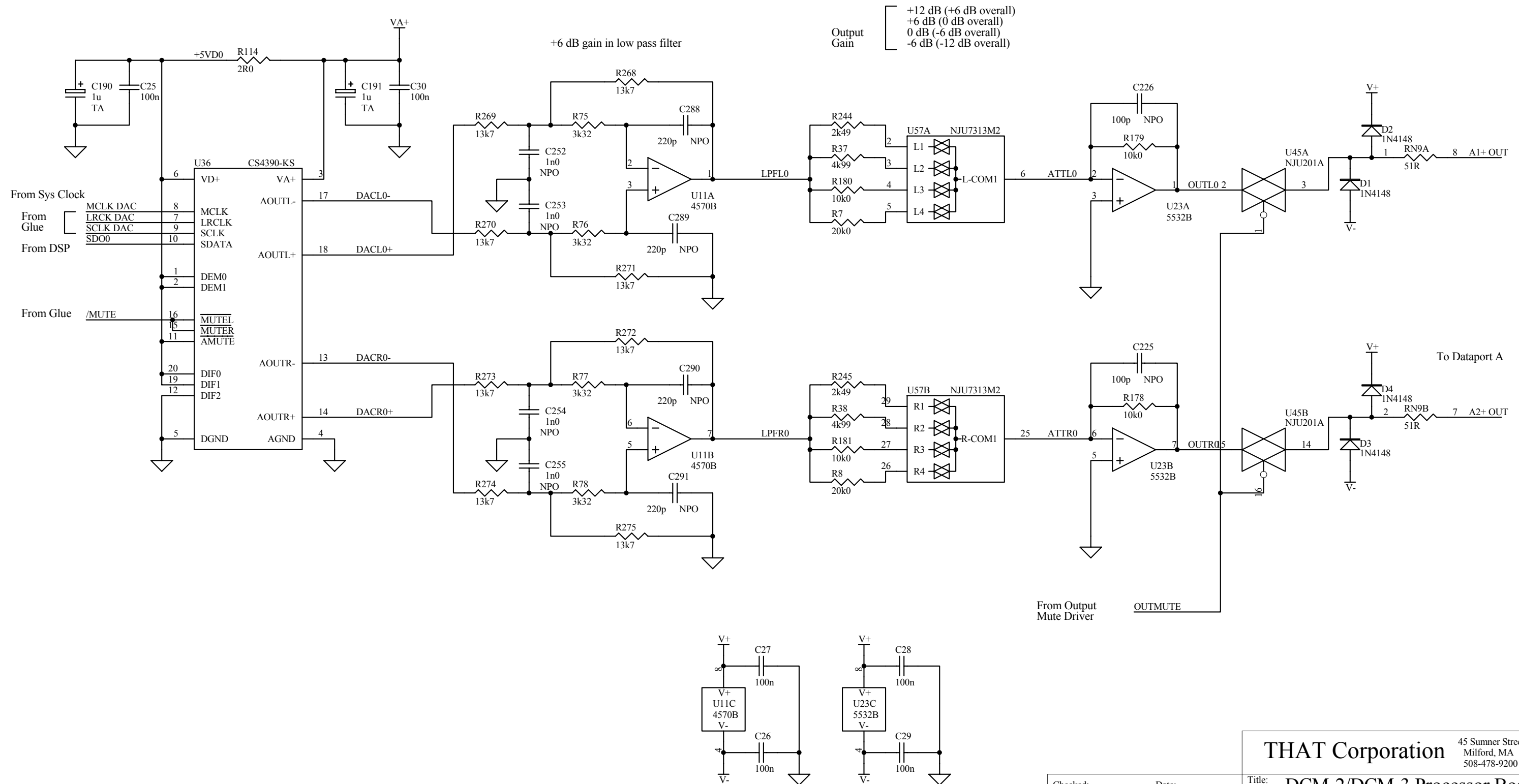
Checked: _____ Date: _____		Title: DCM-2/DCM-3 Processor Board	
		Input Buffers & A/D Converters	
Proj. Eng.: _____ Date: _____		Size: B	Drawing Number: 330314
Chf. Eng.: _____ Date: _____		Date: 19-Sep-2002	Revision: 00
Production: _____ Date: _____		Drawn by: CMH	Sheet 4 of 25
File: F:\DM\SH\SH004051gp\CUR_China_REV\314-0100.DDB - Documents\314-04			

D
C
B
A

D
C
B
A

This document and the data disclosed herein or herewith is not to be reproduced, used, or disclosed in whole or in part to anyone without the written permission of THAT Corporation.

Rev	Description	Date	Approved

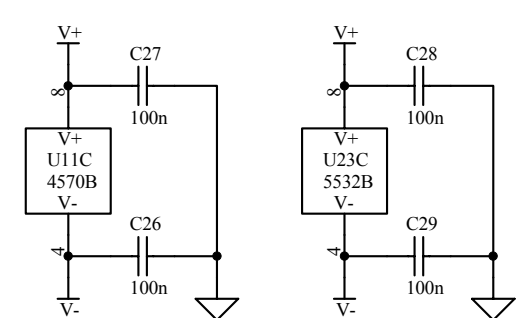


Output Gain
 +12 dB (+6 dB overall)
 +6 dB (0 dB overall)
 0 dB (-6 dB overall)
 -6 dB (-12 dB overall)

+6 dB gain in low pass filter

To Dataport A

From Output Mute Driver
 OUTMUTE



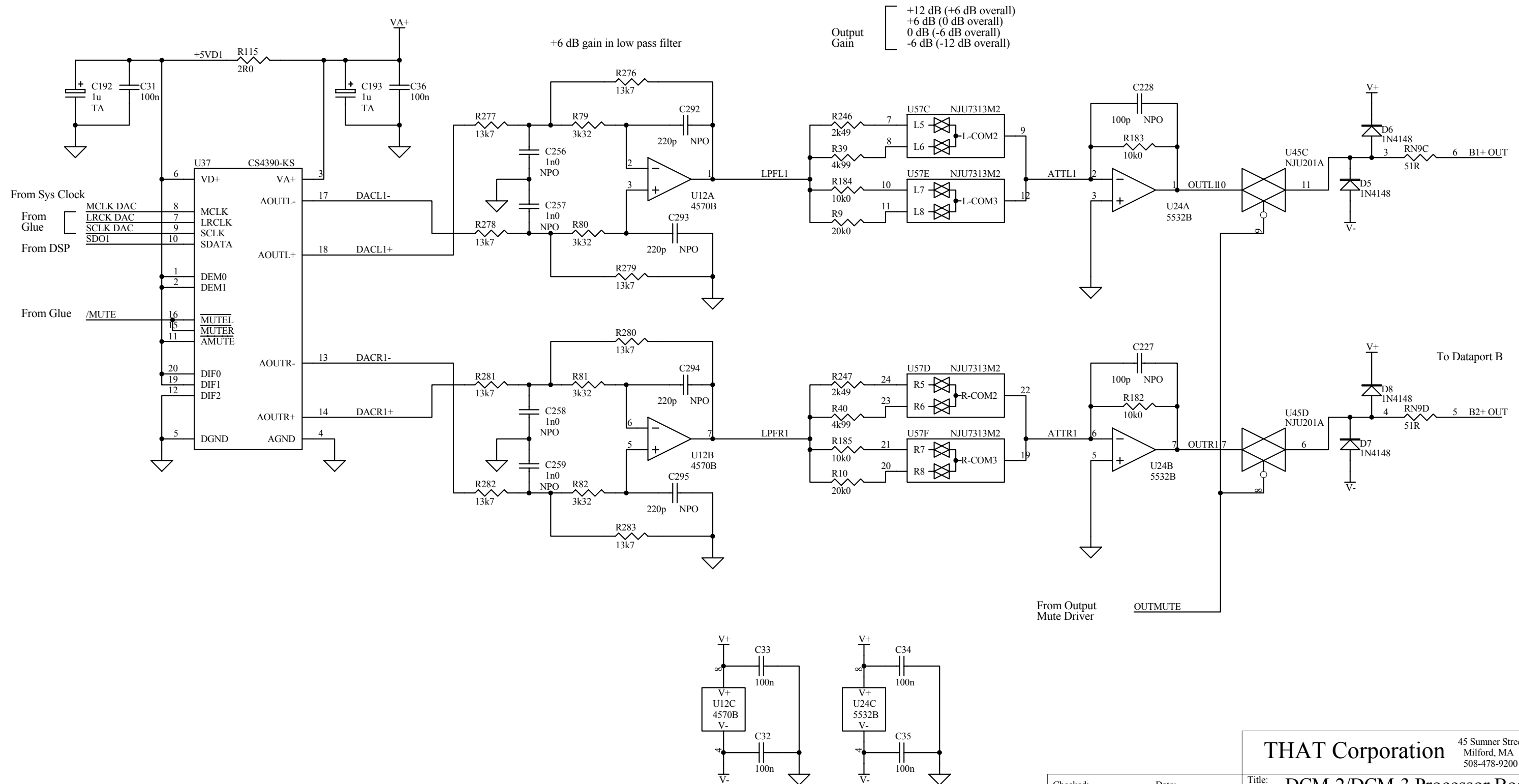
Checked: _____ Date: _____		Title: DCM-2/DCM-3 Processor Board	
		Dataport A DAC	
Proj. Eng.: _____ Date: _____		Size: B	Drawing Number: 330314
Chf. Eng.: _____ Date: _____		Date: 19-Sep-2002	Revision: 00
Production: _____ Date: _____		Drawn by: CMH	Sheet 5 of 25
File: F:\DM\SH\SH004051gp\CUR_China_REV\314-0100.DDB - Documents\314-05			

D
C
B
A

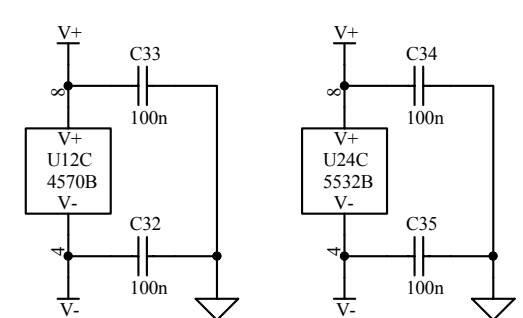
D
C
B
A

This document and the data disclosed herein or herewith is not to be reproduced, used, or disclosed in whole or in part to anyone without the written permission of THAT Corporation.

Rev	Description	Date	Approved



Output Gain
 +12 dB (+6 dB overall)
 +6 dB (0 dB overall)
 0 dB (-6 dB overall)
 -6 dB (-12 dB overall)

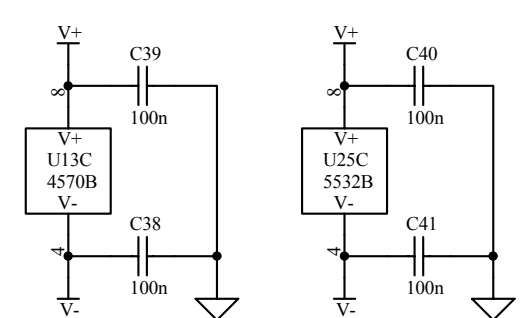
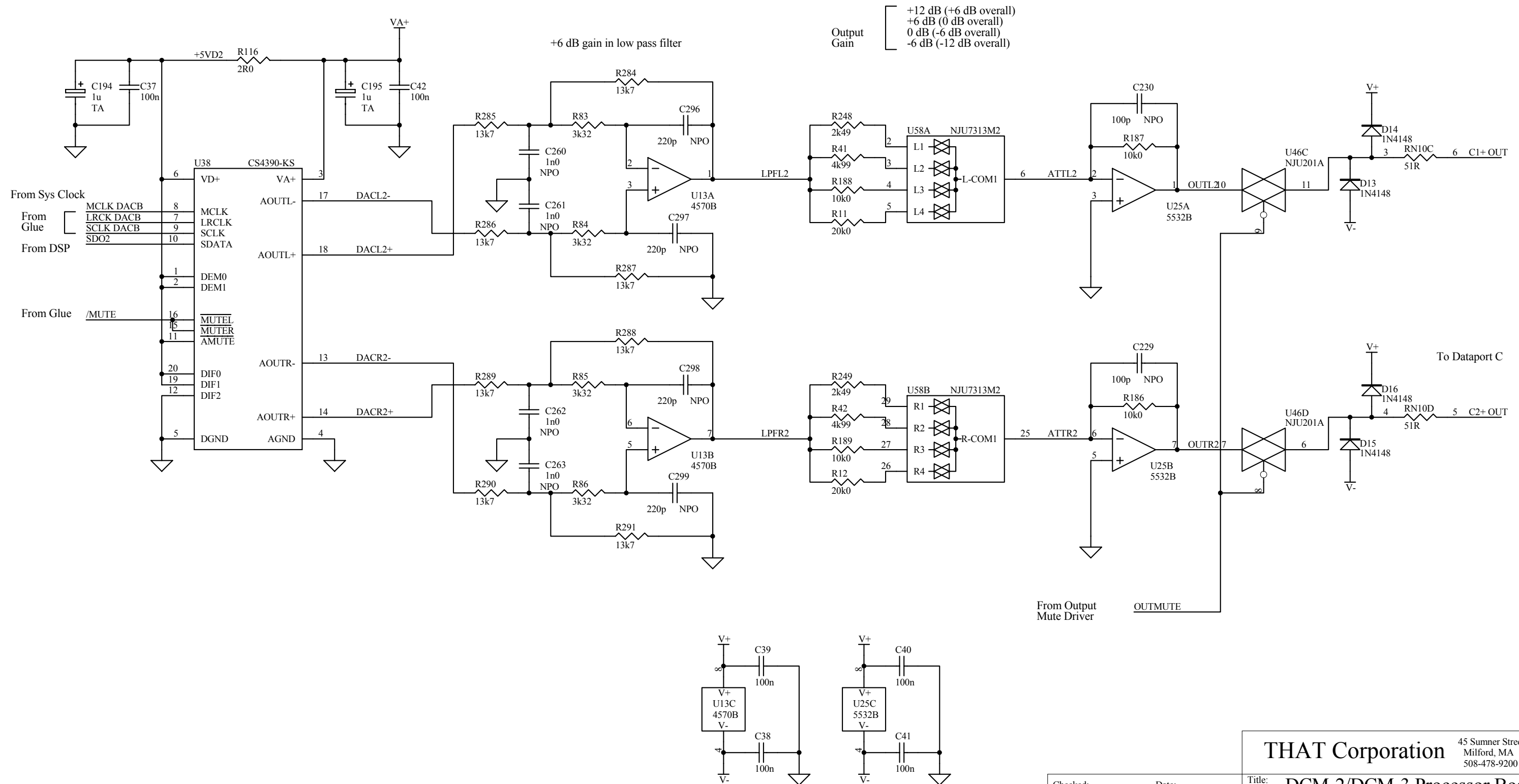


Checked: _____ Date: _____		Title: DCM-2/DCM-3 Processor Board Dataport B DAC	
		Size: B	Drawing Number: 330314
Proj. Eng.: _____ Date: _____		Date: 19-Sep-2002	Drawn by: CMH
Chf. Eng.: _____ Date: _____		Sheet 6 of 25	File: F:\DM\SH\SH004051gp\CUR_China_REV\314-0100.DDB - Documents\314-06
Production: _____ Date: _____		Revision: 00	

THAT Corporation 45 Sumner Street
 Milford, MA 508-478-9200

This document and the data disclosed herein or herewith is not to be reproduced, used, or disclosed in whole or in part to anyone without the written permission of THAT Corporation.

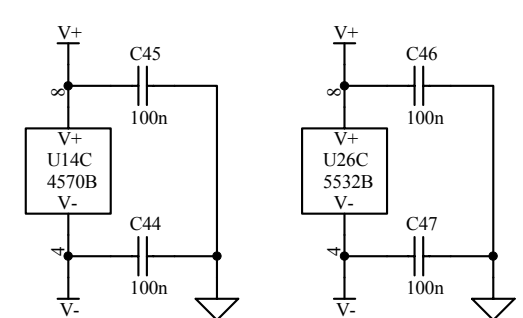
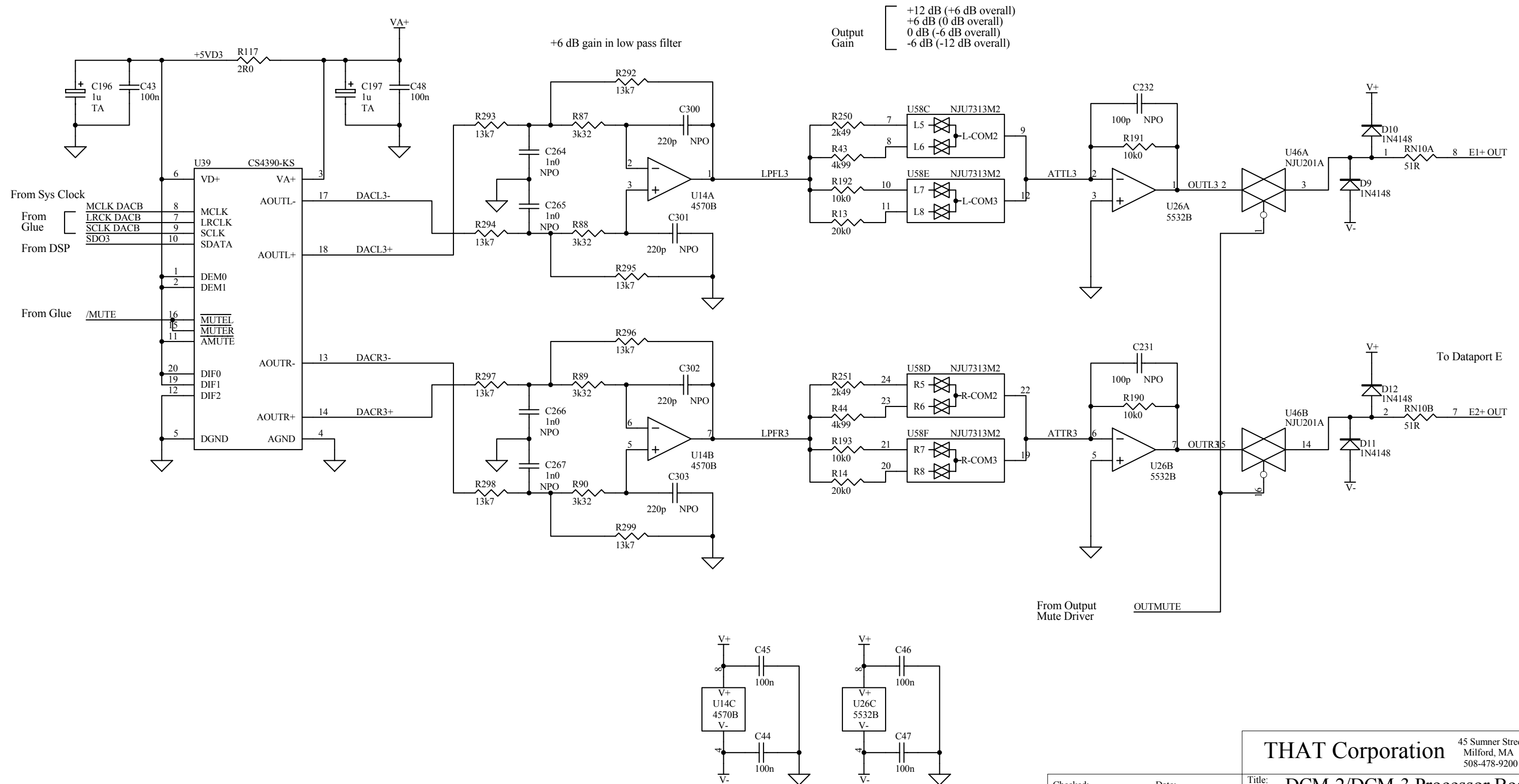
Rev	Description	Date	Approved



THAT Corporation		45 Sumner Street Milford, MA 508-478-9200	
Title: DCM-2/DCM-3 Processor Board		Revision: 00	
Title: Dataport C DAC		Sheet 7 of 25	
Checked:	Date:	Size: B	Drawing Number: 330314
Proj. Eng.:	Date:	Date: 19-Sep-2002	Drawn by: CMH
Chf. Eng.:	Date:	File: F:\DM\SH\SH004051gp\CUR_China_REV\314-0100.DDB - Documents\314-07	
Production:	Date:		

This document and the data disclosed herein or herewith is not to be reproduced, used, or disclosed in whole or in part to anyone without the written permission of THAT Corporation.

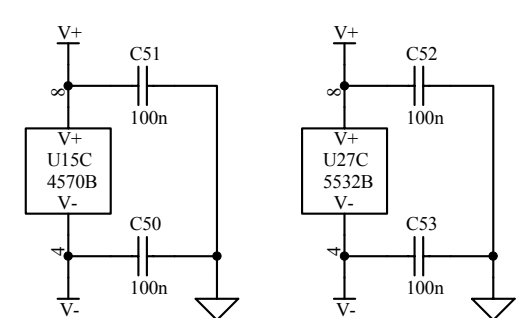
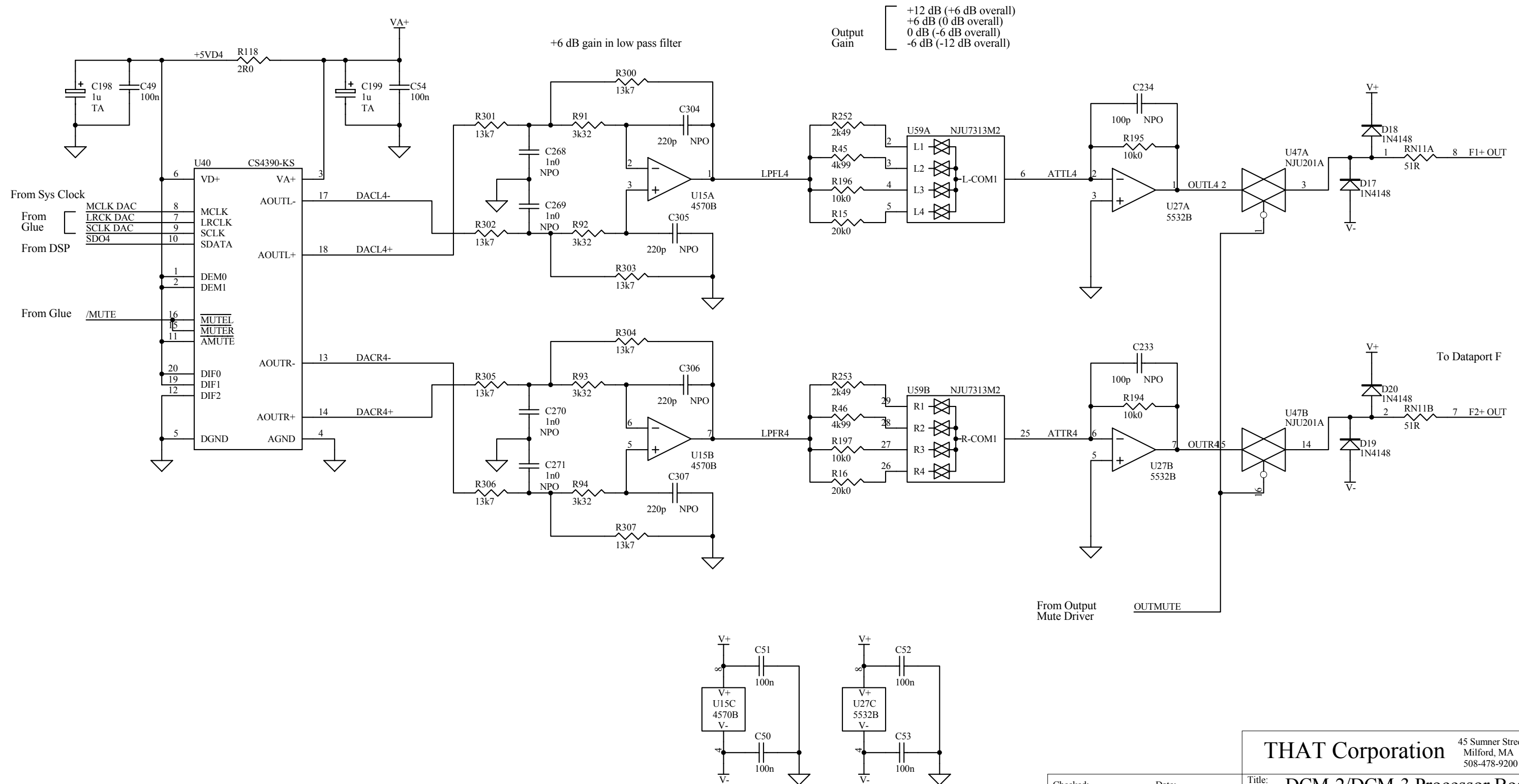
Rev	Description	Date	Approved



THAT Corporation		45 Sumner Street Milford, MA 508-478-9200	
Title: DCM-2/DCM-3 Processor Board		Revision: 00	
Dataport E DAC		Sheet 8 of 25	
Checked:	Date:	Size: B	Drawing Number: 330314
Proj. Eng.:	Date:	Date: 19-Sep-2002	Drawn by: CMH
Chf. Eng.:	Date:	File: F:\DM\SH\SH004051gp\CUR_China_REV\314-0100.DDB - Documents\314-08	
Production:	Date:		

This document and the data disclosed herein or herewith is not to be reproduced, used, or disclosed in whole or in part to anyone without the written permission of THAT Corporation.

Rev	Description	Date	Approved



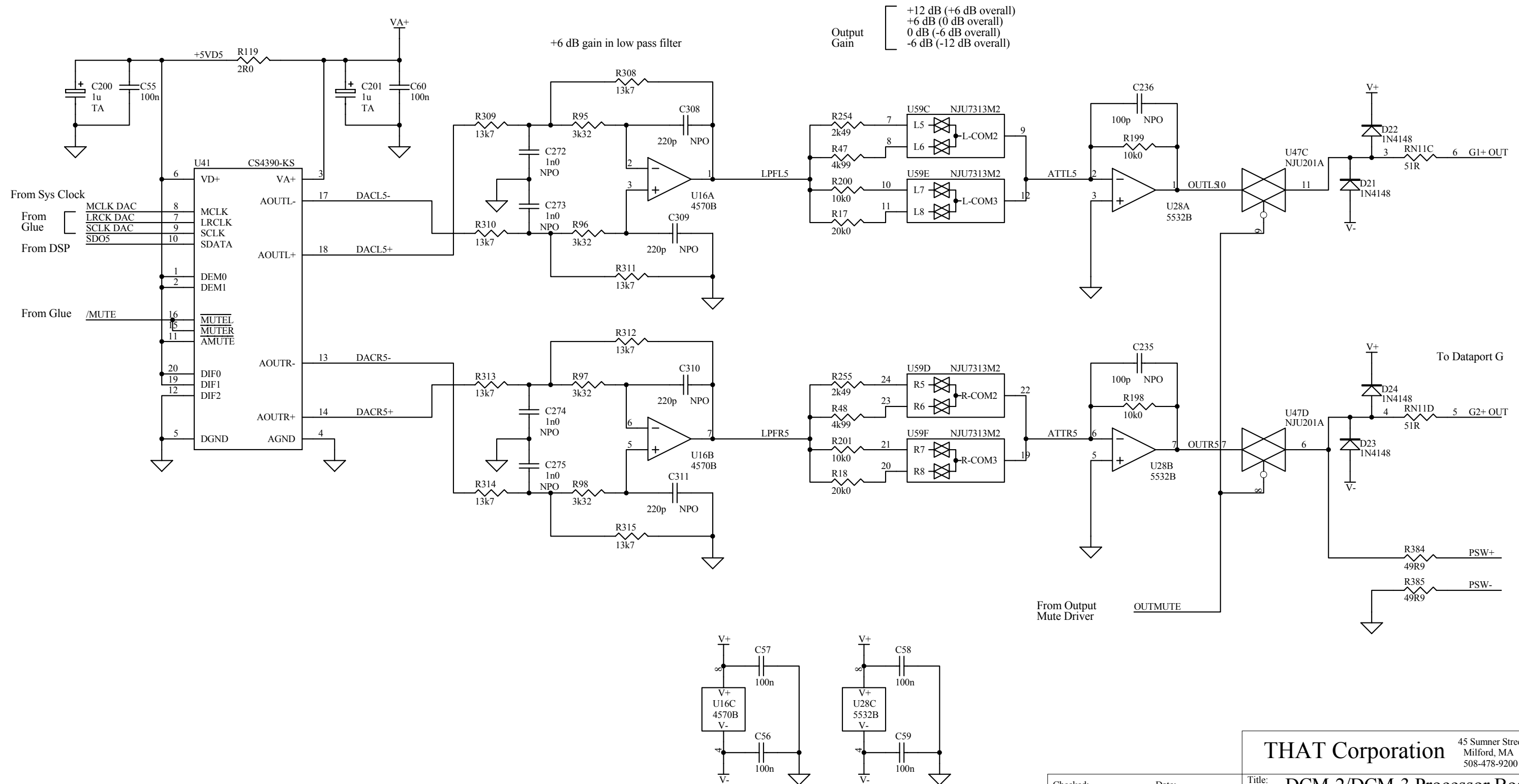
Checked: _____ Date: _____		Title: DCM-2/DCM-3 Processor Board	
		Dataport F DAC	
Proj. Eng.: _____ Date: _____		Size: B	Drawing Number: 330314
Chf. Eng.: _____ Date: _____		Date: 19-Sep-2002	Revision: 00
Production: _____ Date: _____		Drawn by: CMH	Sheet 9 of 25
File: F:\DM\SH\SH004051gp\CUR_China_REV\314-0100.DDB - Documents\314-09			

D
C
B
A

D
C
B
A

This document and the data disclosed herein or herewith is not to be reproduced, used, or disclosed in whole or in part to anyone without the written permission of THAT Corporation.

Rev	Description	Date	Approved



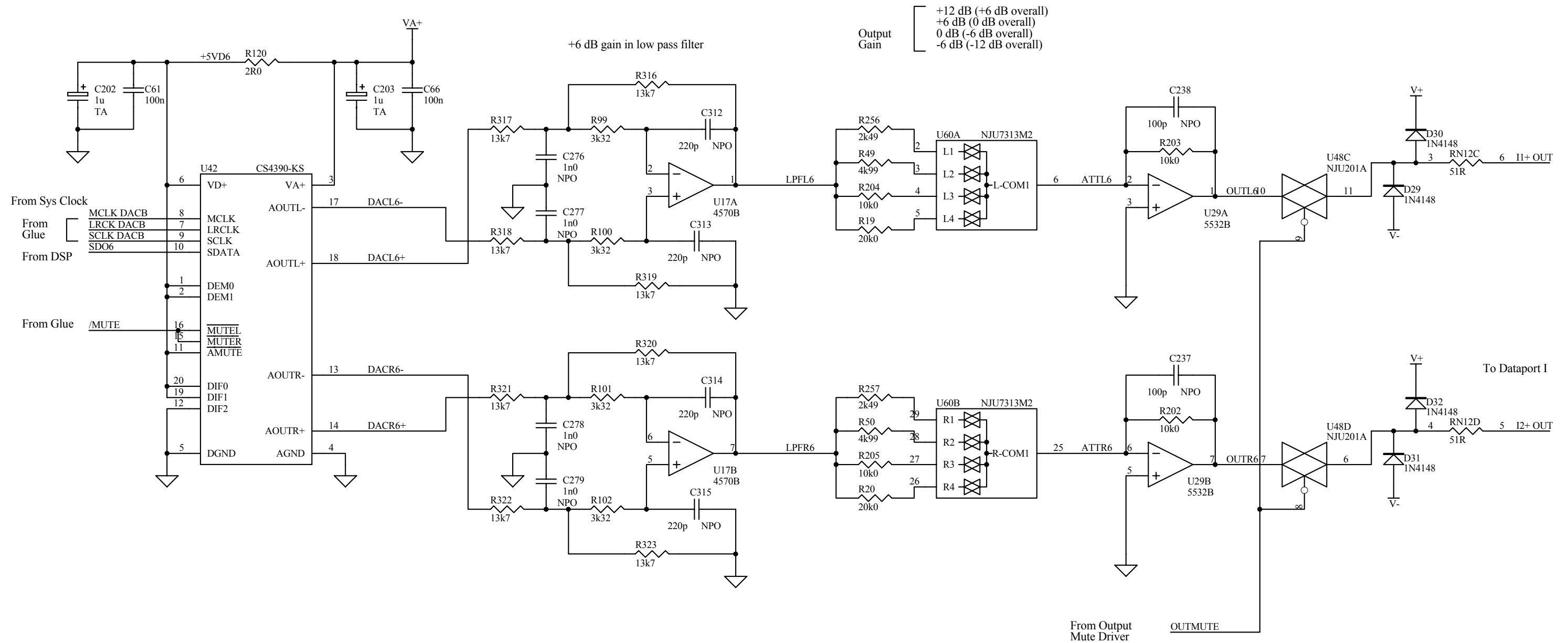
Checked: _____ Date: _____		Title: DCM-2/DCM-3 Processor Board	
		Dataport G DAC	
Proj. Eng.: _____ Date: _____		Size: B	Drawing Number: 330314
Chf. Eng.: _____ Date: _____		Date: 19-Sep-2002	Revision: 00
Production: _____ Date: _____		Drawn by: CMH	Sheet 10 of 25
File: F:\DM\SH\SH004051gp\CUR_China_REV\314-0100.DDB - Documents\314-10			

D
C
B
A

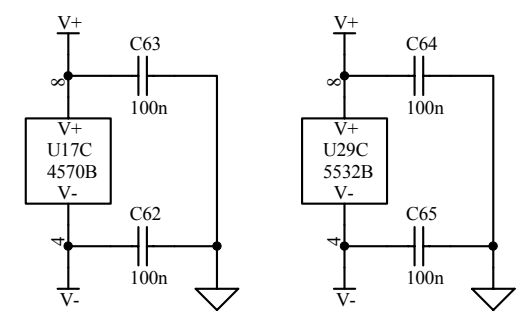
D
C
B
A

This document and the data disclosed herein or herewith is not to be reproduced, used, or disclosed in whole or in part to anyone without the written permission of THAT Corporation.

Rev	Description	Date	Approved



Output Gain
 +12 dB (+6 dB overall)
 +6 dB (0 dB overall)
 0 dB (-6 dB overall)
 -6 dB (-12 dB overall)



DCM-3 only

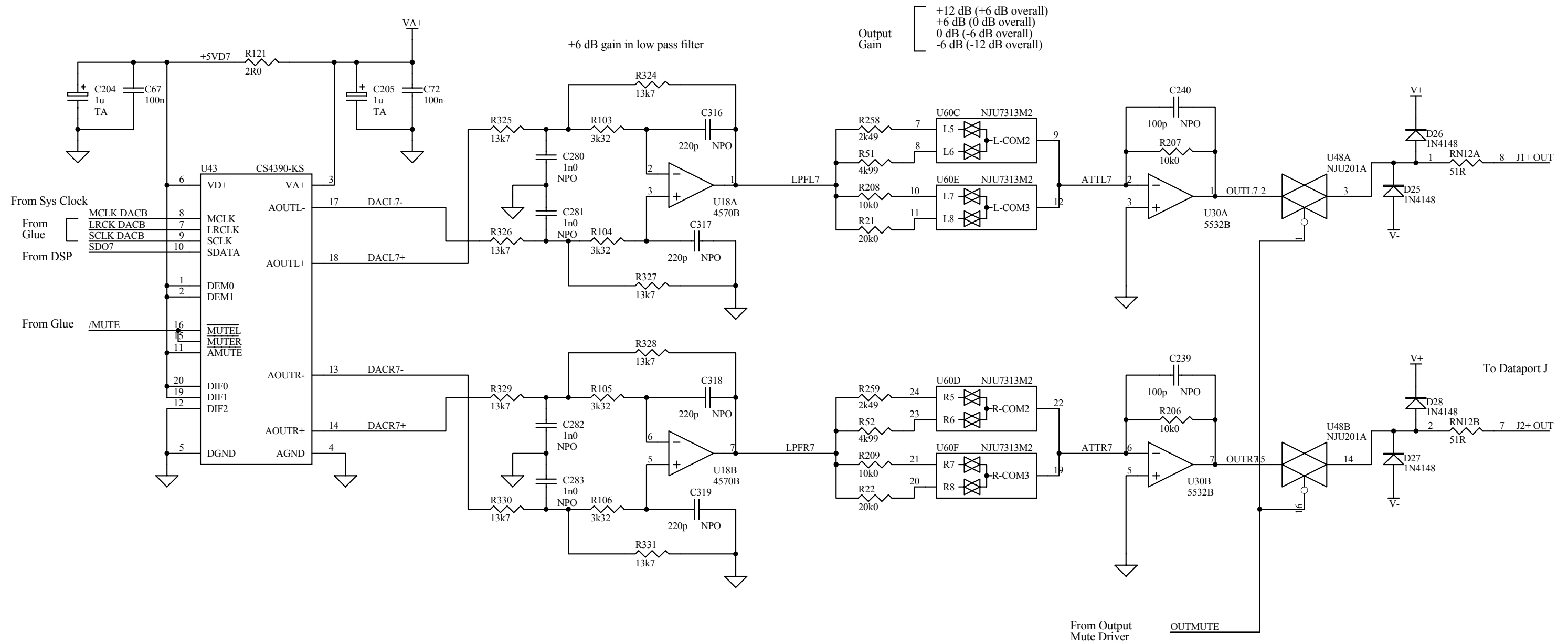
Checked: _____ Date: _____		Title: DCM-2/DCM-3 Processor Board	
		Dataport I DAC	
Proj. Eng.: _____ Date: _____		Size: B	Drawing Number: 330314
Chf. Eng.: _____ Date: _____		Date: 19-Sep-2002	Revision: 00
Production: _____ Date: _____		Drawn by: CMH	Sheet 11 of 25
File: F:\DM\SH\SH004051gp\CUR_China_REV\314-0100.DDB - Documents\314-11			

D
C
B
A

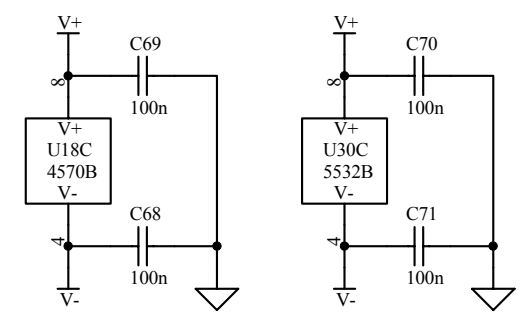
D
C
B
A

This document and the data disclosed herein or herewith is not to be reproduced, used, or disclosed in whole or in part to anyone without the written permission of THAT Corporation.

Rev	Description	Date	Approved



Output Gain
 +12 dB (+6 dB overall)
 +6 dB (0 dB overall)
 0 dB (-6 dB overall)
 -6 dB (-12 dB overall)



DCM-3 only

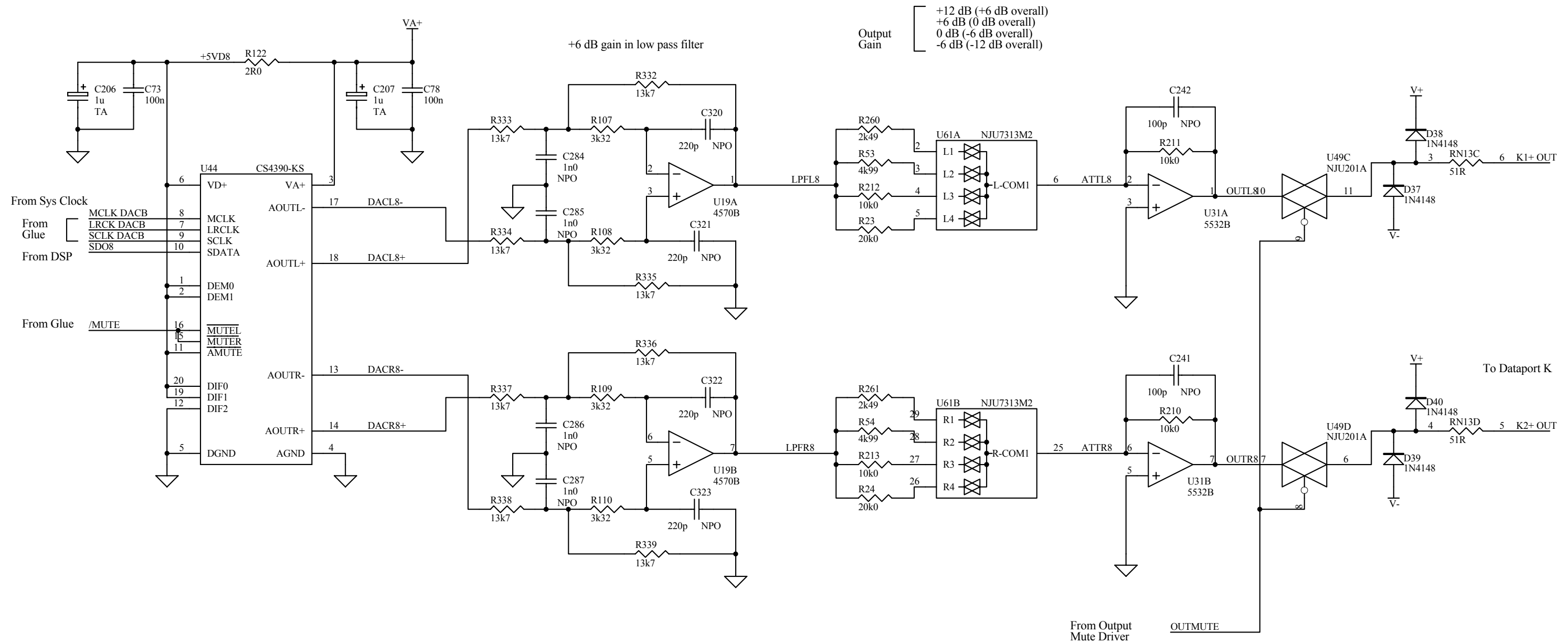
Checked: _____ Date: _____		Title: DCM-2/DCM-3 Processor Board	
		Dataport J DAC	
Proj. Eng.: _____ Date: _____		Size: B	Drawing Number: 330314
Chf. Eng.: _____ Date: _____		Date: 19-Sep-2002	Revision: 00
Production: _____ Date: _____		Drawn by: CMH	Sheet 12 of 25
File: F:\DM\SH\SH004051gp\CUR_China_REV\314-0100.DDB - Documents\314-12			

D
C
B
A

D
C
B
A

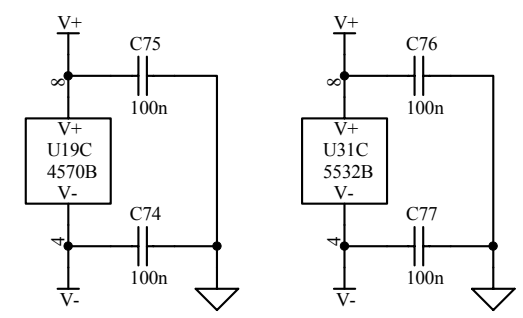
This document and the data disclosed herein or herewith is not to be reproduced, used, or disclosed in whole or in part to anyone without the written permission of THAT Corporation.

Rev	Description	Date	Approved



Output Gain

- +12 dB (+6 dB overall)
- +6 dB (0 dB overall)
- 0 dB (-6 dB overall)
- 6 dB (-12 dB overall)



DCM-3 only

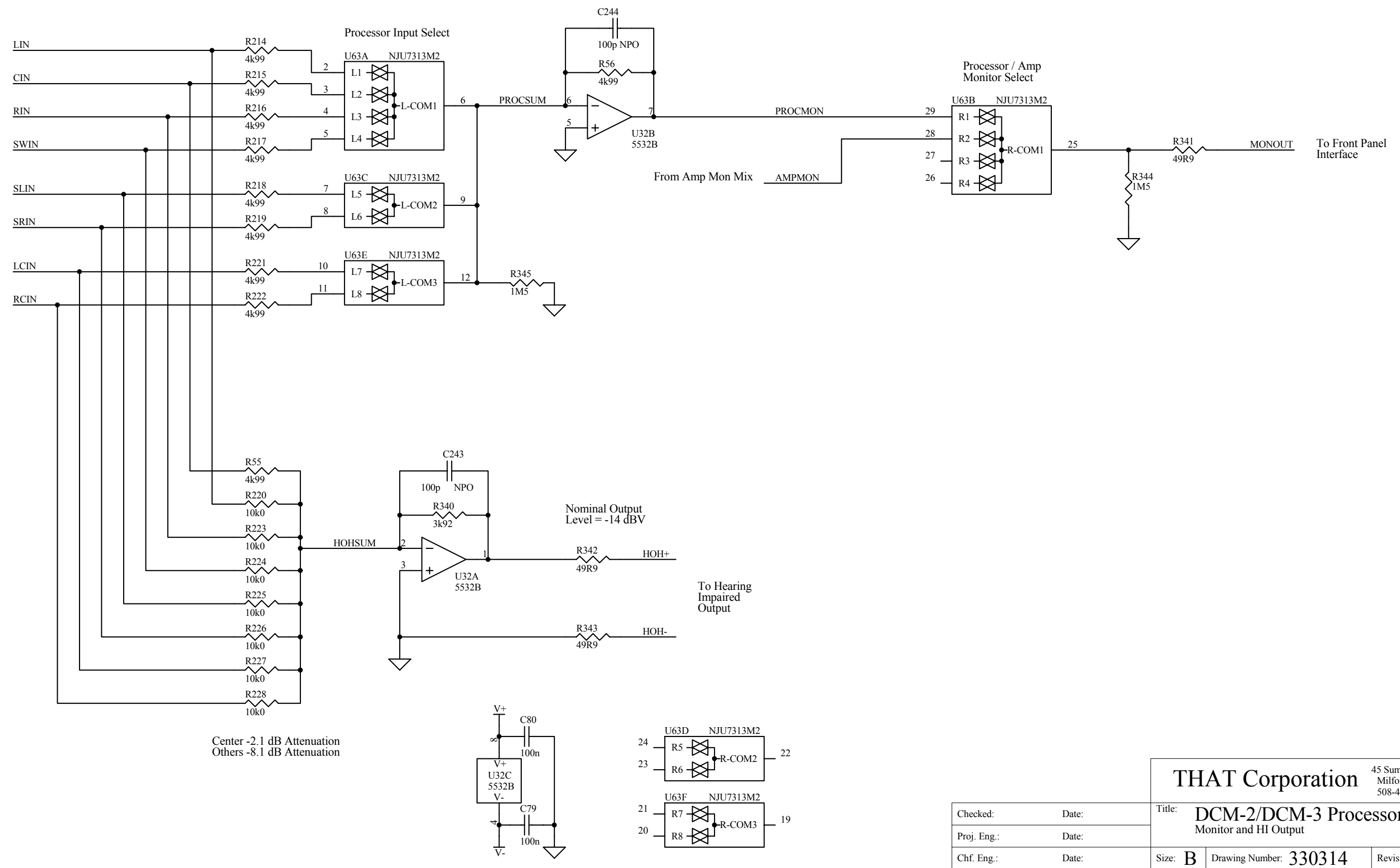
Checked: _____ Date: _____		Title: DCM-2/DCM-3 Processor Board	
		Dataport K DAC	
Proj. Eng.: _____ Date: _____		Size: B	Drawing Number: 330314
Chf. Eng.: _____ Date: _____		Date: 19-Sep-2002	Revision: 00
Production: _____ Date: _____		Drawn by: CMH	Sheet 13 of 25
File: F:\DM\SH\SH004051gp\CUR_China_REV\314-0100.DDB - Documents\314-13			

D
C
B
A

D
C
B
A

This document and the data disclosed herein or herewith is not to be reproduced, used, or disclosed in whole or in part to anyone without the written permission of THAT Corporation.

Rev	Description	Date	Approved



Center -2.1 dB Attenuation
Others -8.1 dB Attenuation

Nominal Output Level = -14 dBV

To Hearing Impaired Output

THAT Corporation 45 Sumner Street
Milford, MA 508-478-9200

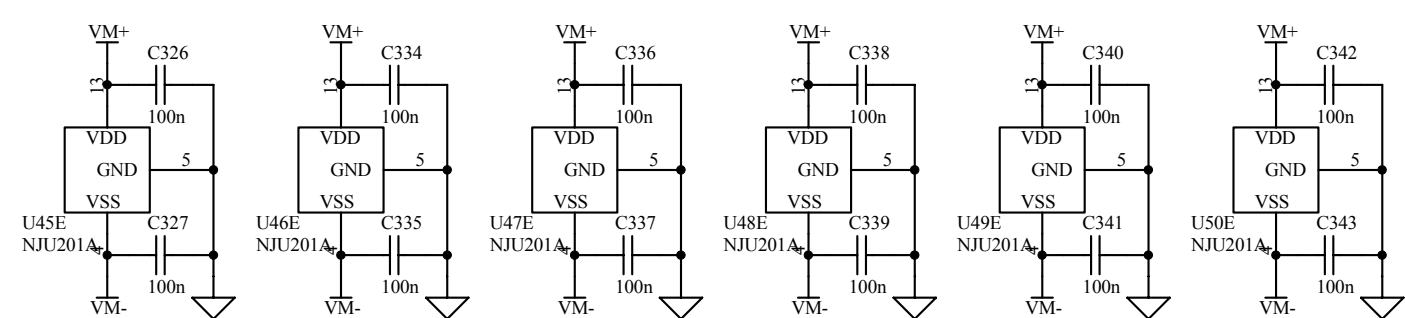
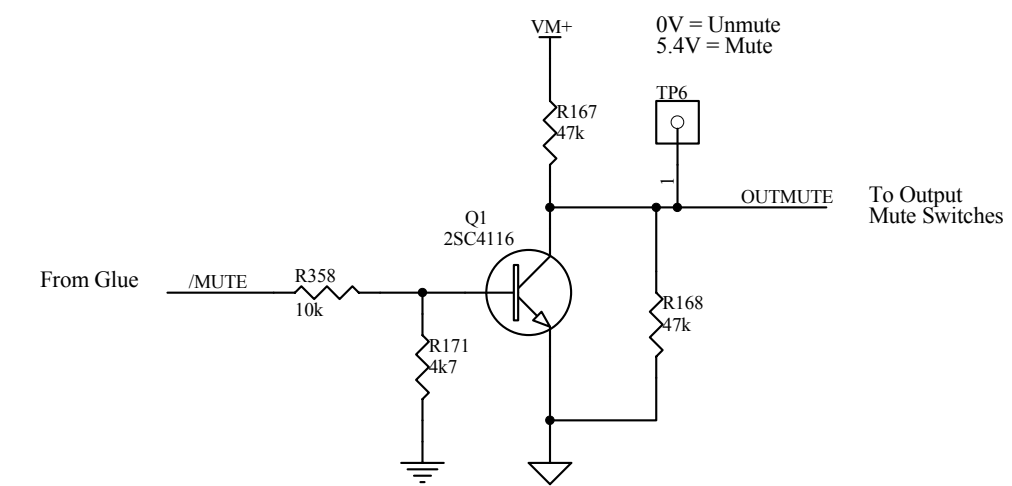
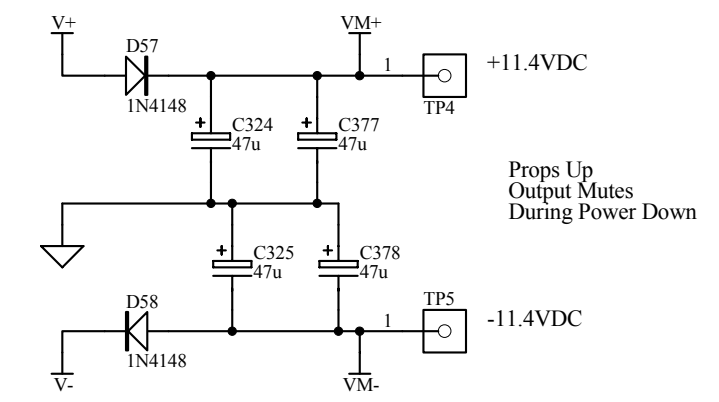
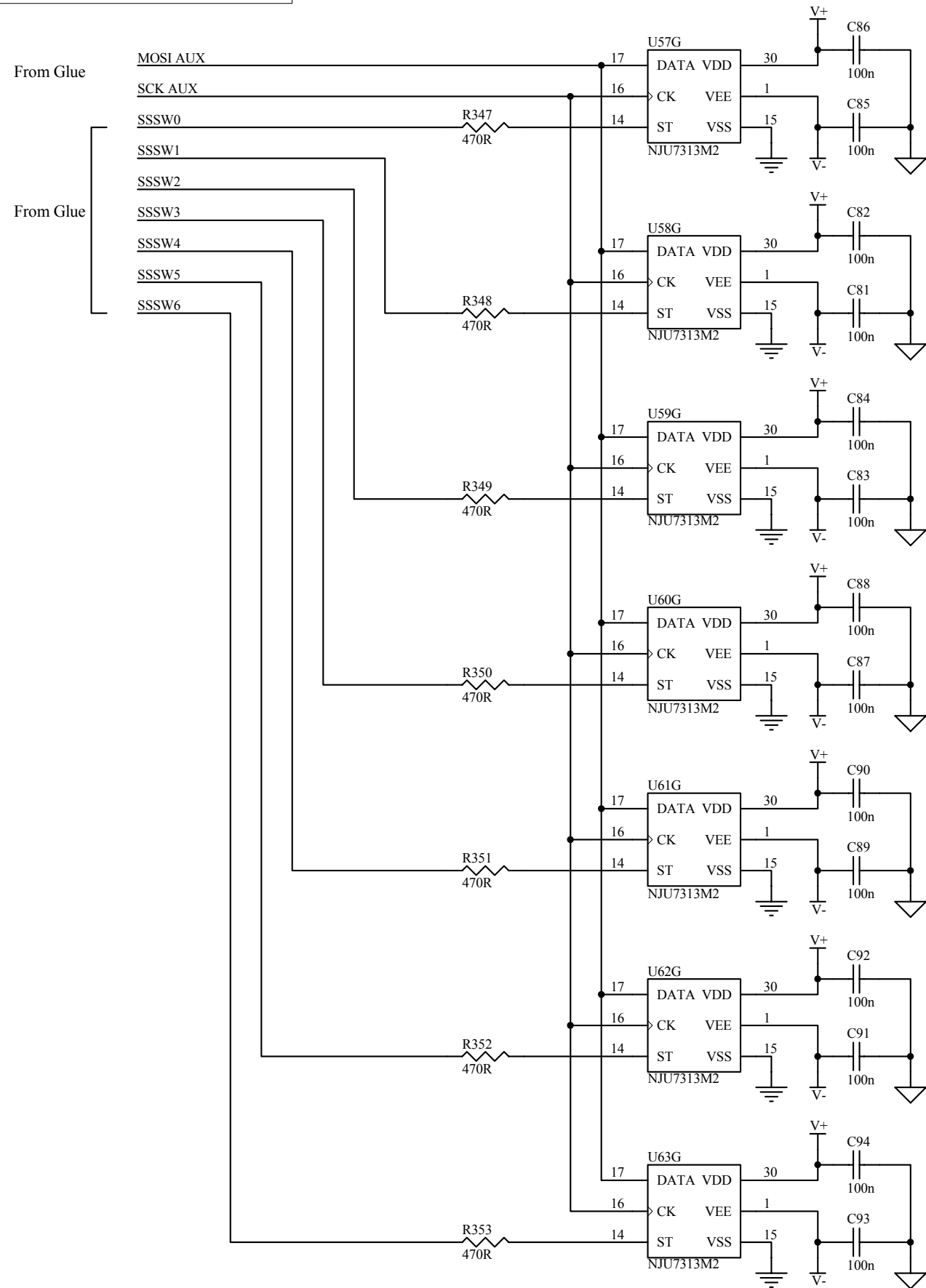
Title: **DCM-2/DCM-3 Processor Board**
Monitor and HI Output

Checked:	Date:
Proj. Eng.:	Date:
Chf. Eng.:	Date:
Production:	Date:

Size: B	Drawing Number: 330314	Revision: 00
Date: 19-Sep-2002	Drawn by: CMH	Sheet 17 of 25
File: F:\DM\SH\SH004051gp\CUR China REV\314-0100.DDB - Documents\314-17		

This document and the data disclosed herein or herewith is not to be reproduced, used, or disclosed in whole or in part to anyone without the written permission of THAT Corporation.

Rev	Description	Date	Approved



Checked: _____ Date: _____		Title: DCM-2/DCM-3 Processor Board	
		Analog Switch Control & Aux Power	
Proj. Eng.: _____ Date: _____		Size: B	Drawing Number: 330314
Chf. Eng.: _____ Date: _____		Date: 19-Sep-2002	Revision: 00
Production: _____ Date: _____		Drawn by: CMH	Sheet 18 of 25
File: F:\DM\SH\SH004051gp\CUR_China_REV\314-0100.DDB - Documents\314-18			

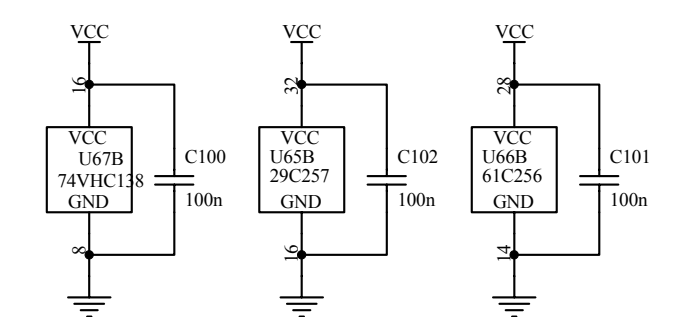
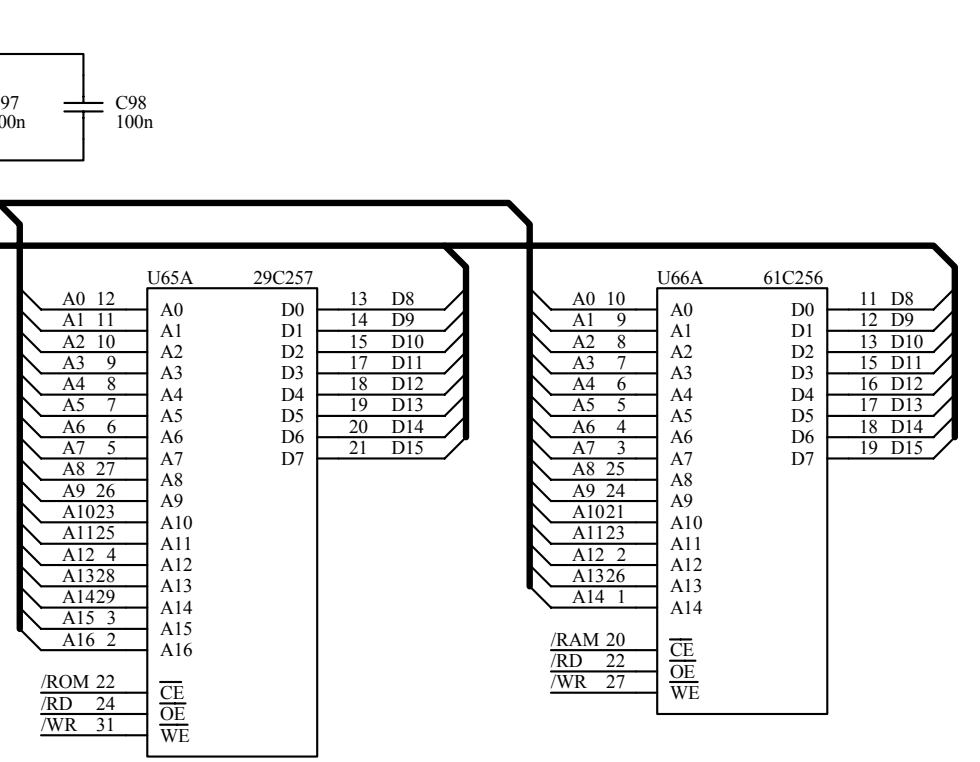
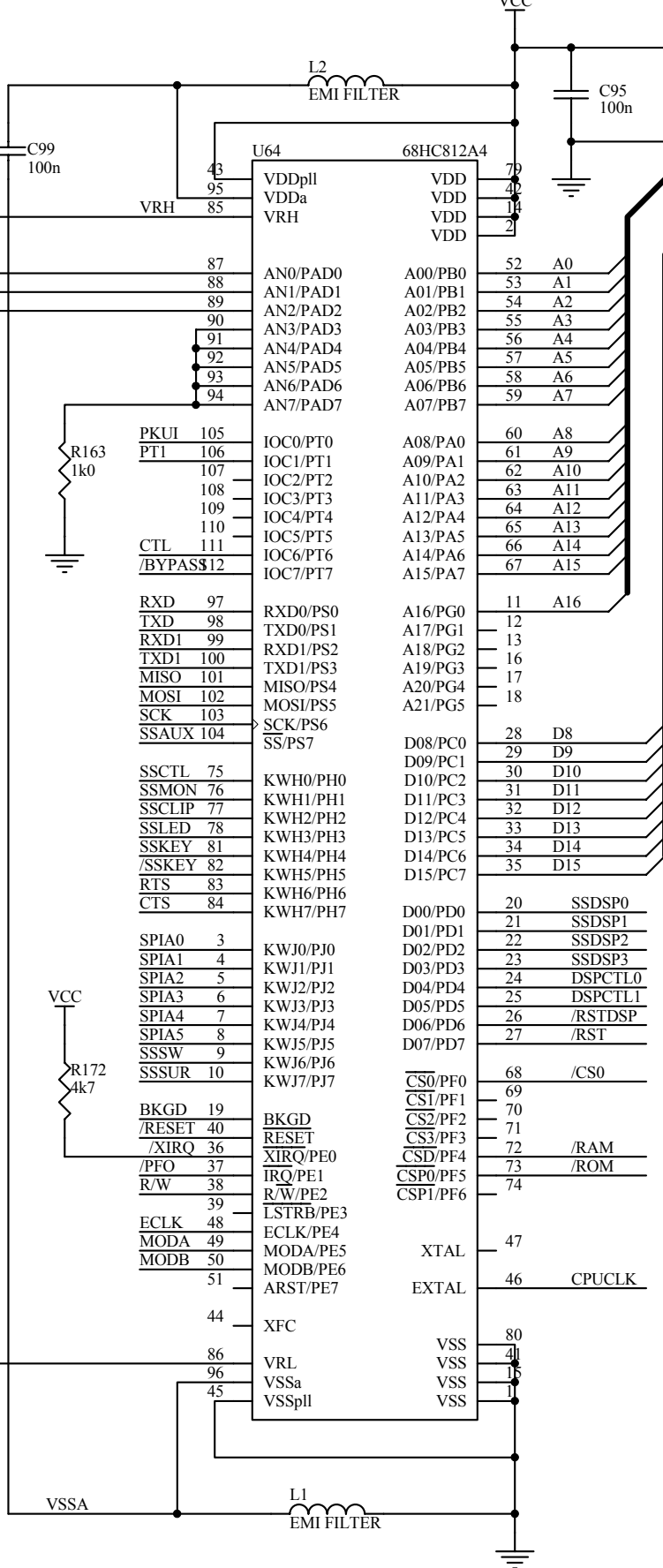
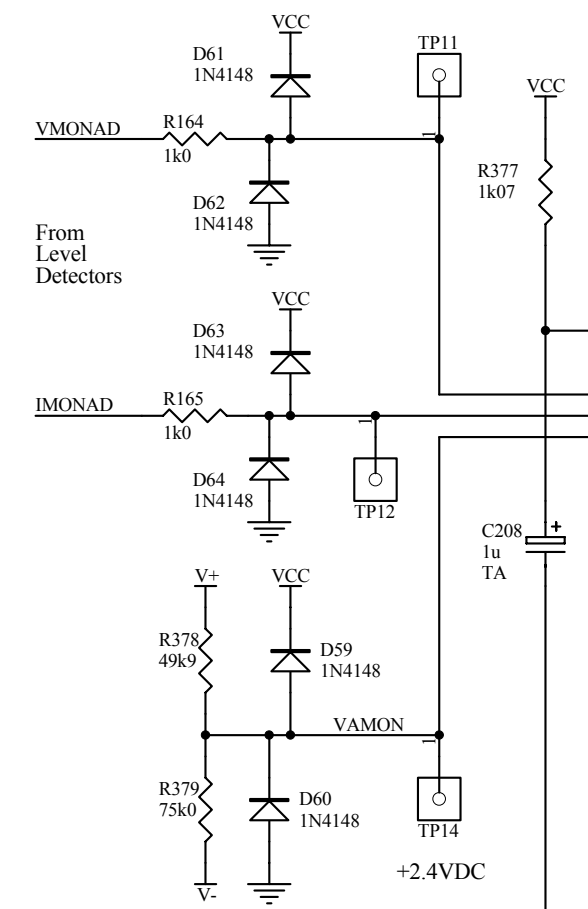
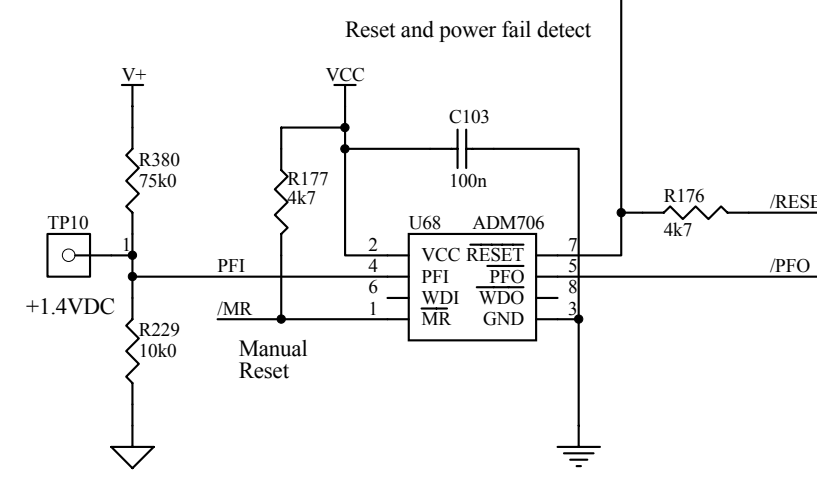
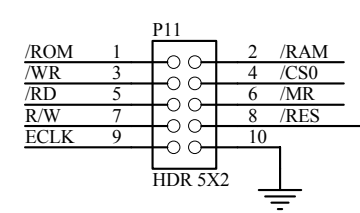
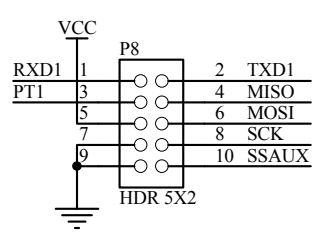
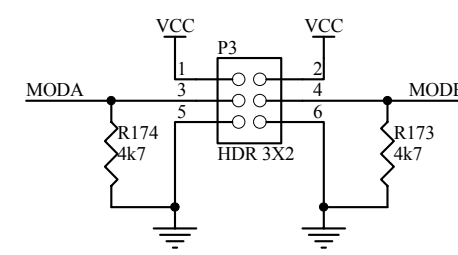
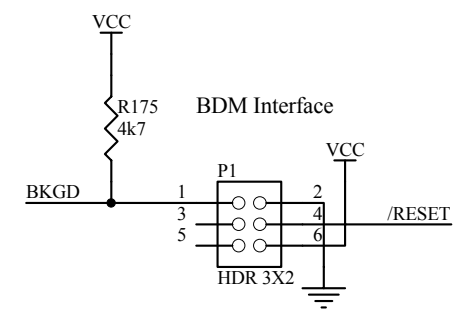
D
C
B
A

D
C
B
A

This document and the data disclosed herein or herewith is not to be reproduced, used, or disclosed in whole or in part to anyone without the written permission of THAT Corporation.

Rev	Description	Date	Approved

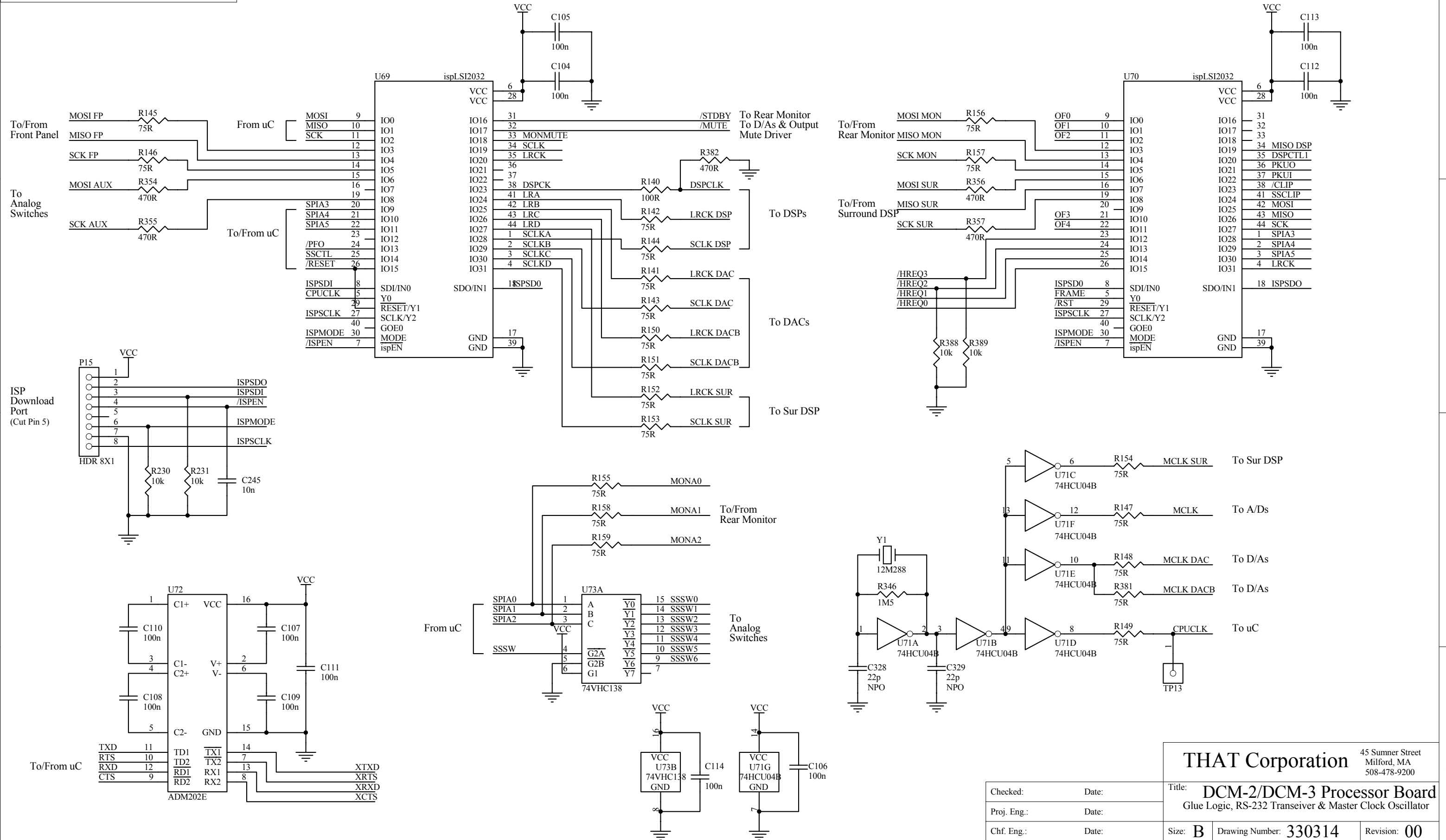
D
C
B
A



Checked:		Date:	Title: DCM-2/DCM-3 Processor Board Microcontroller & Peripherals	
Proj. Eng.:		Date:	Size: B	Drawing Number: 330314
Chf. Eng.:		Date:	Date: 19-Sep-2002	Revision: 00
Production:		Date:	Drawn by: CMH	Sheet 19 of 25
File: F:\DM\SH\SH004051gp\CUR China REV\314-0100.DDB - Documents\314-19				

This document and the data disclosed herein or herewith is not to be reproduced, used, or disclosed in whole or in part to anyone without the written permission of THAT Corporation.

Rev	Description	Date	Approved



THAT Corporation 45 Sumner Street
Milford, MA 508-478-9200

Title: **DCM-2/DCM-3 Processor Board**
Glue Logic, RS-232 Transceiver & Master Clock Oscillator

Checked:	Date:	Size: B	Drawing Number: 330314	Revision: 00
Proj. Eng.:	Date:	Date: 19-Sep-2002	Drawn by: CMH	Sheet 20 of 25
Chf. Eng.:	Date:	File: F:\DM\SH\SH004051gp\CUR China REV\314-0100.DDB - Documents\314-20		
Production:	Date:			

This document and the data disclosed herein or herewith is not to be reproduced, used, or disclosed in whole or in part to anyone without the written permission of THAT Corporation.

Rev	Description	Date	Approved

D

D

C

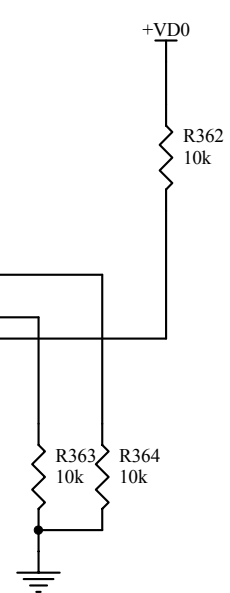
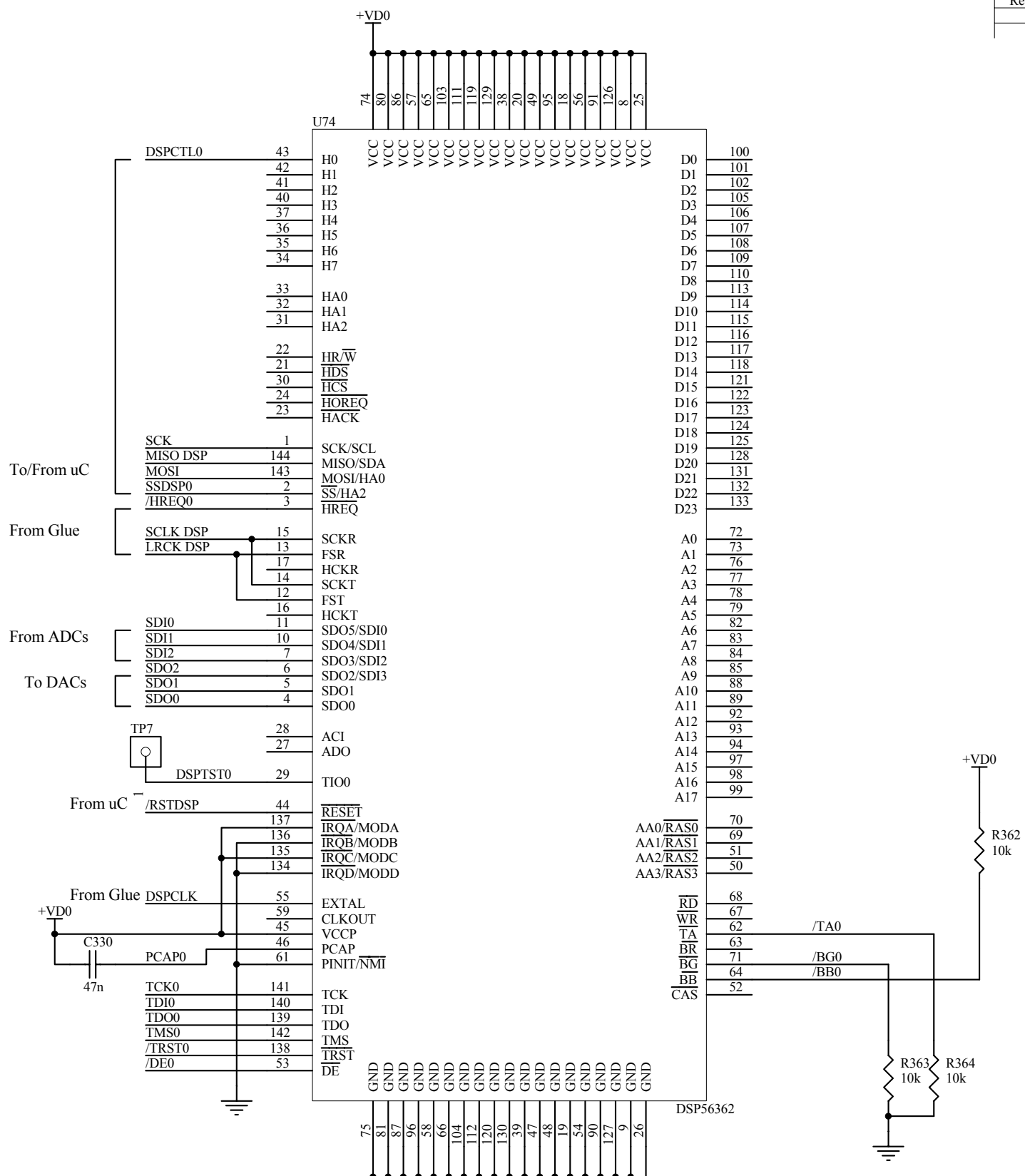
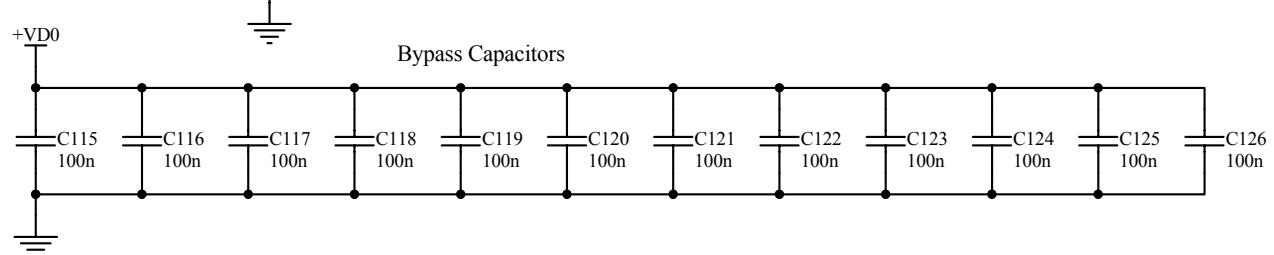
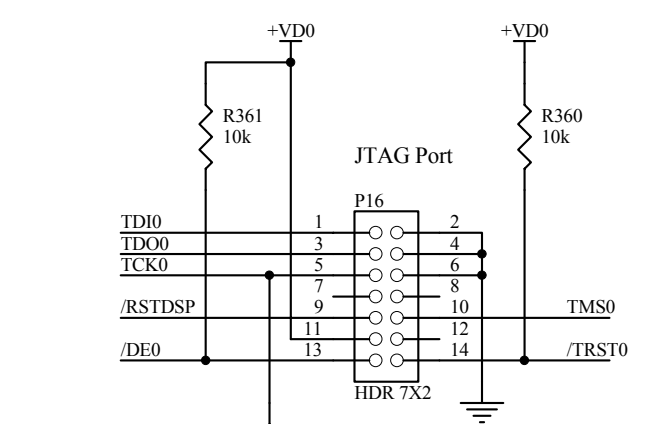
C

B

B

A

A



Checked:	Date:	Title: DCM-2/DCM-3 Processor Board DSP 0
Proj. Eng.:	Date:	
Chf. Eng.:	Date:	Size: B Drawing Number: 330314 Revision: 00
Production:	Date:	Date: 19-Sep-2002 Drawn by: CMH Sheet 21 of 25 File: F:\DM\SH\SH004051gp\CUR_China_REV\314-0100.DDB - Documents\314-21

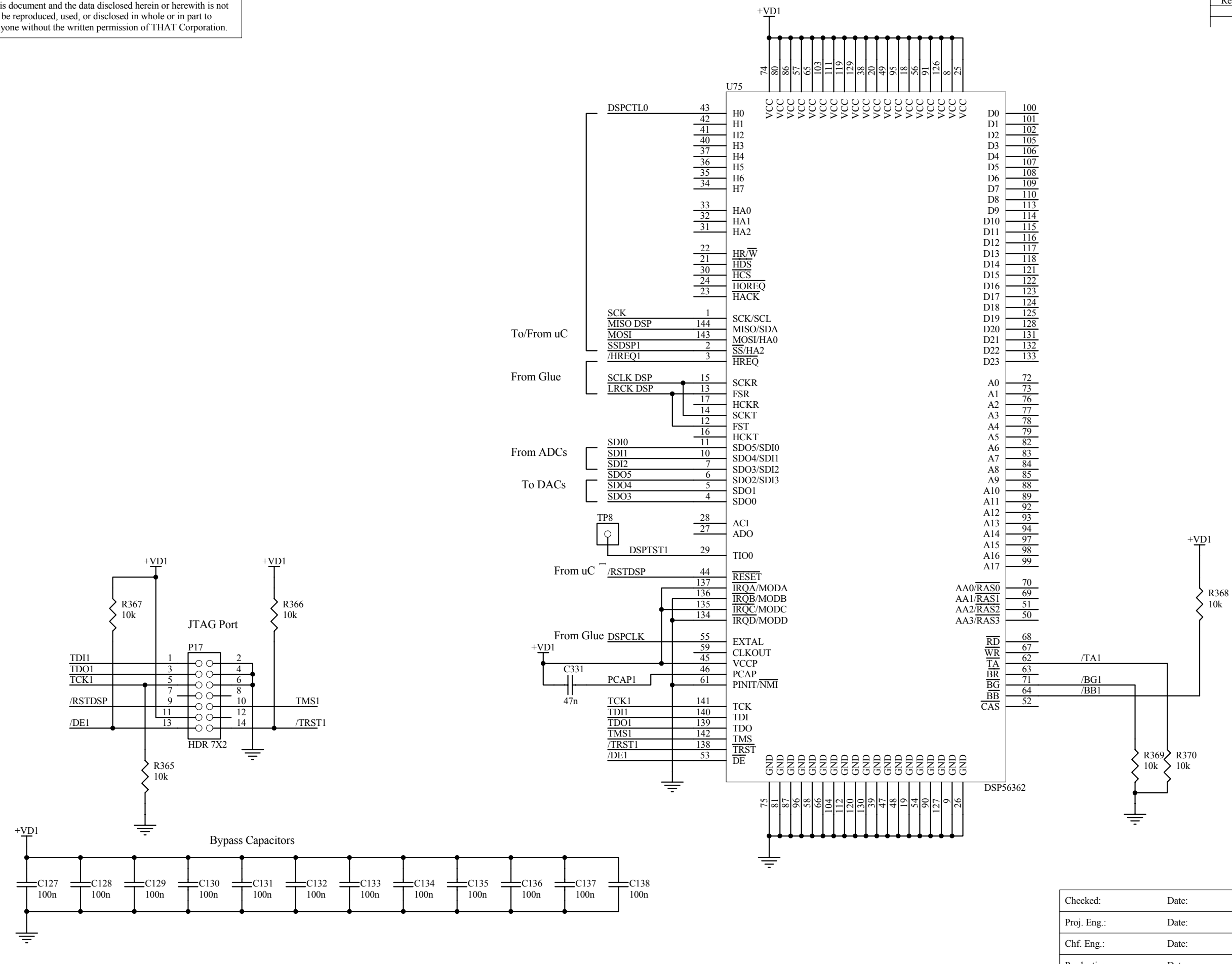
THAT Corporation 45 Sumner Street
Milford, MA
508-478-9200

This document and the data disclosed herein or herewith is not to be reproduced, used, or disclosed in whole or in part to anyone without the written permission of THAT Corporation.

Rev	Description	Date	Approved

D
C
B
A

D
C
B
A



THAT Corporation 45 Sumner Street
Milford, MA 508-478-9200

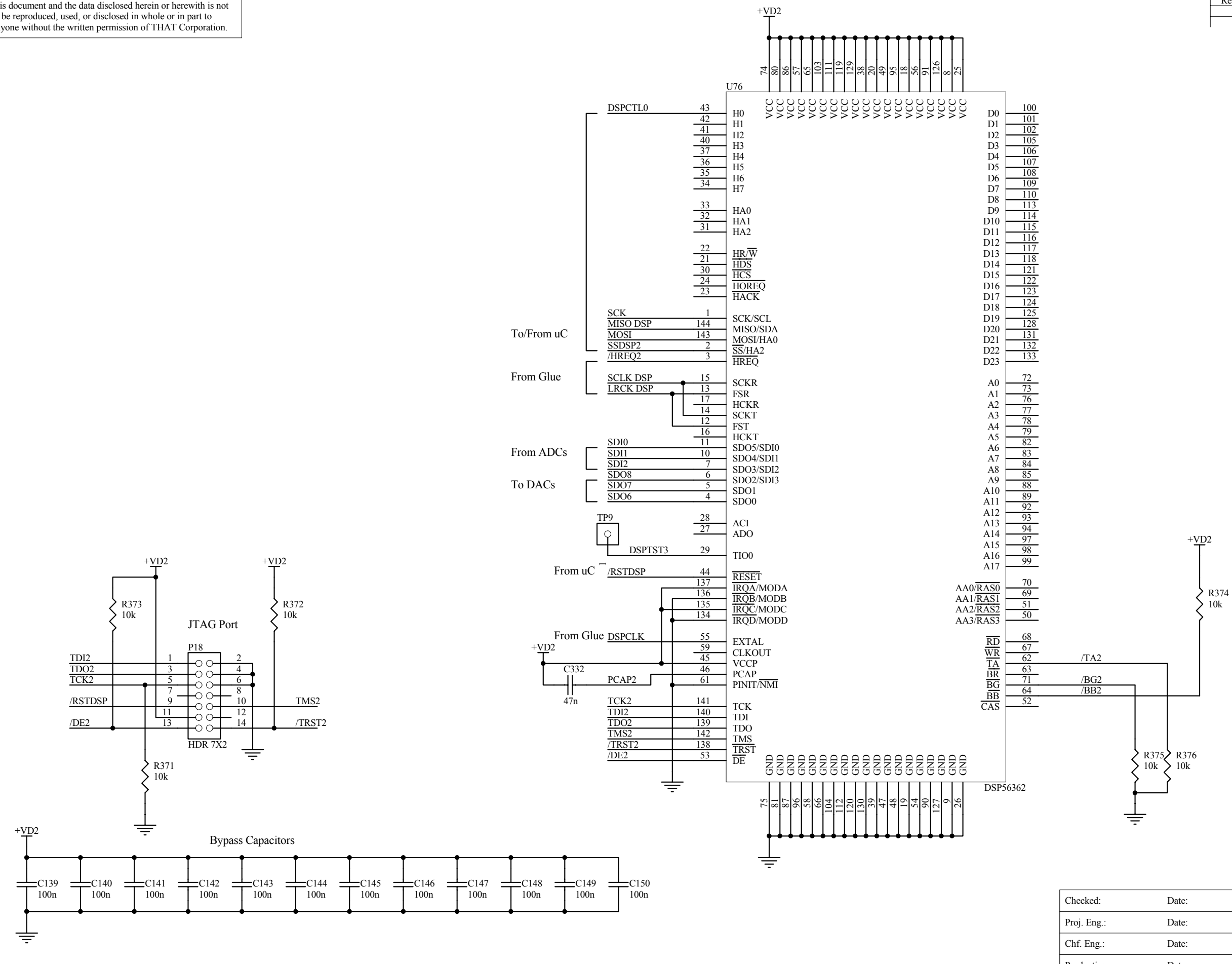
Title: **DCM-2/DCM-3 Processor Board DSP 1**

Checked:	Date:	Size: B	Drawing Number: 330314	Revision: 00
Proj. Eng.:	Date:	Date: 19-Sep-2002	Drawn by: CMH	Sheet 22 of 25
Chf. Eng.:	Date:	File: F:\DM\SH\SH004051gp\CUR_China_REV\314-0100.DDB - Documents\314-22		
Production:	Date:			

This document and the data disclosed herein or herewith is not to be reproduced, used, or disclosed in whole or in part to anyone without the written permission of THAT Corporation.

Rev	Description	Date	Approved

D
C
B
A



DCM-3 only

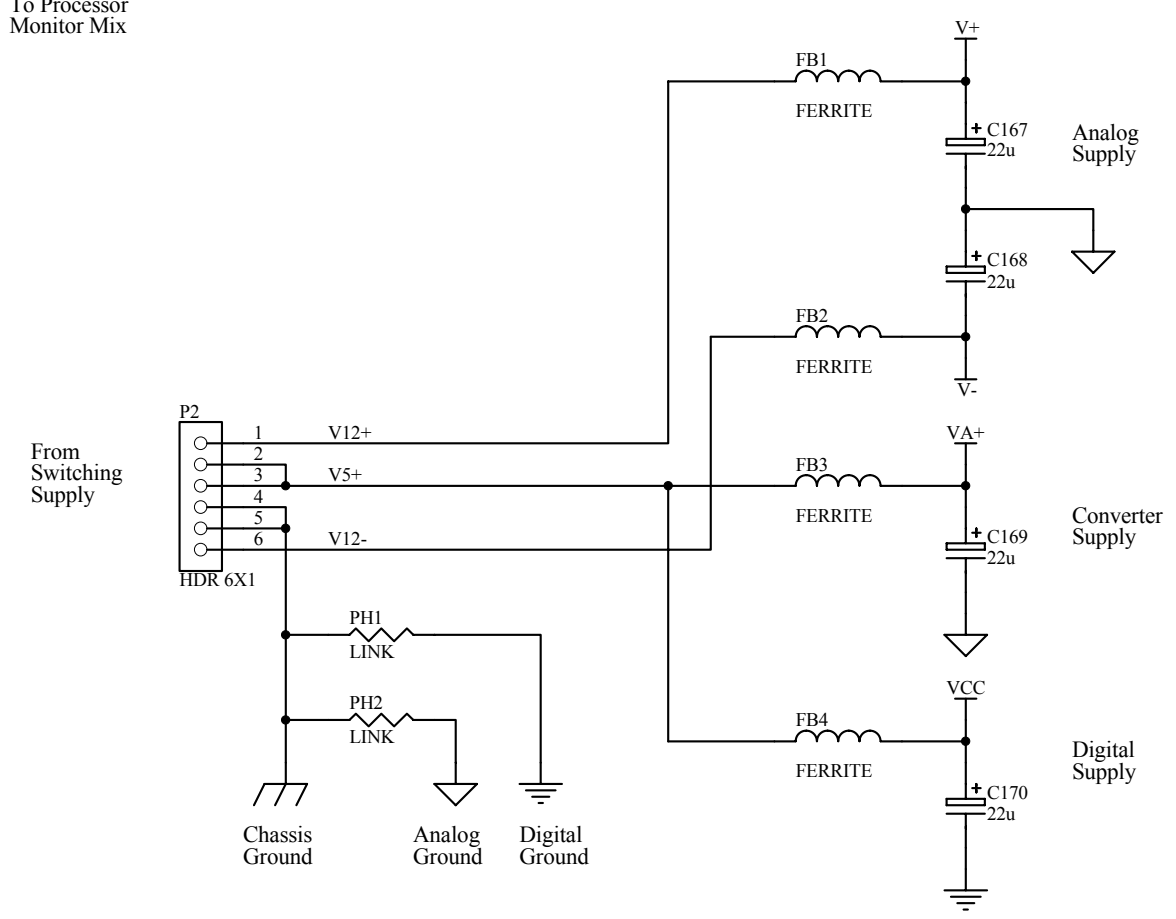
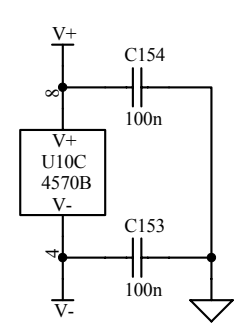
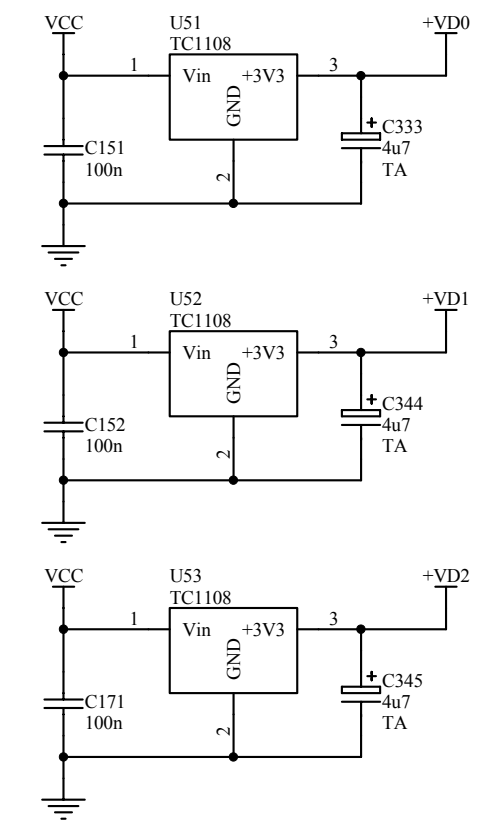
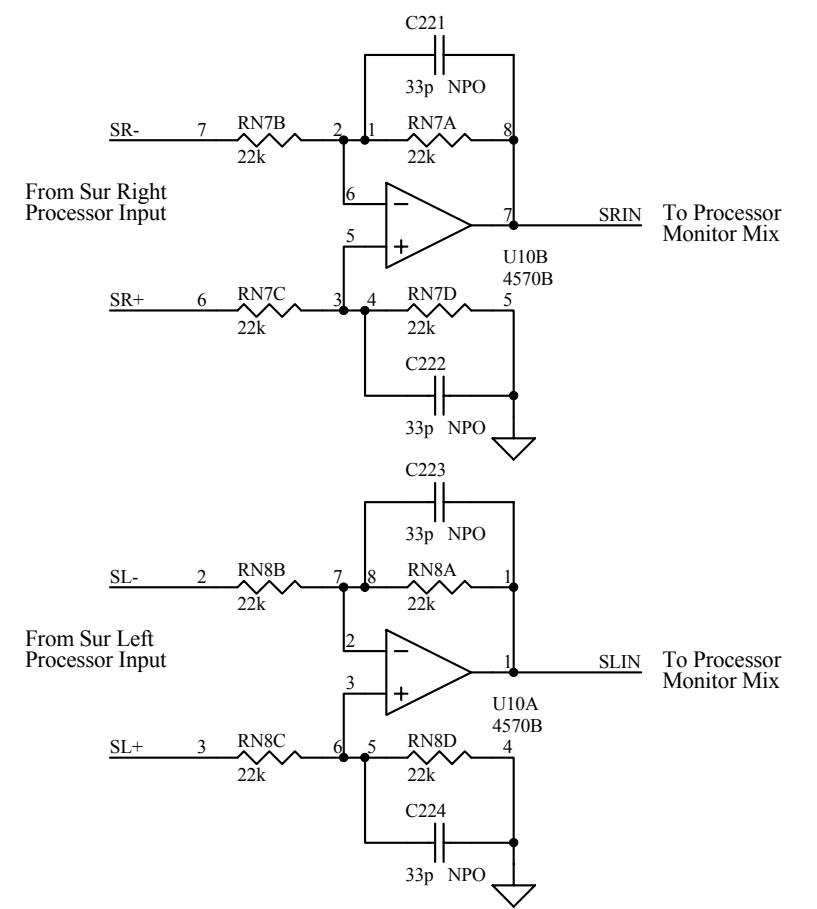
THAT Corporation 45 Sumner Street
Milford, MA 508-478-9200

Title: **DCM-2/DCM-3 Processor Board DSP 2**

Checked:	Date:	Size: B	Drawing Number: 330314	Revision: 00
Proj. Eng.:	Date:	Date: 19-Sep-2002	Drawn by: CMH	Sheet 23 of 25
Chf. Eng.:	Date:	File: F:\DM\SH\SH004051gp\CUR_China_REV\314-0100.DDB - Documents\314-23		
Production:	Date:			

This document and the data disclosed herein or herewith is not to be reproduced, used, or disclosed in whole or in part to anyone without the written permission of THAT Corporation.

Rev	Description	Date	Approved

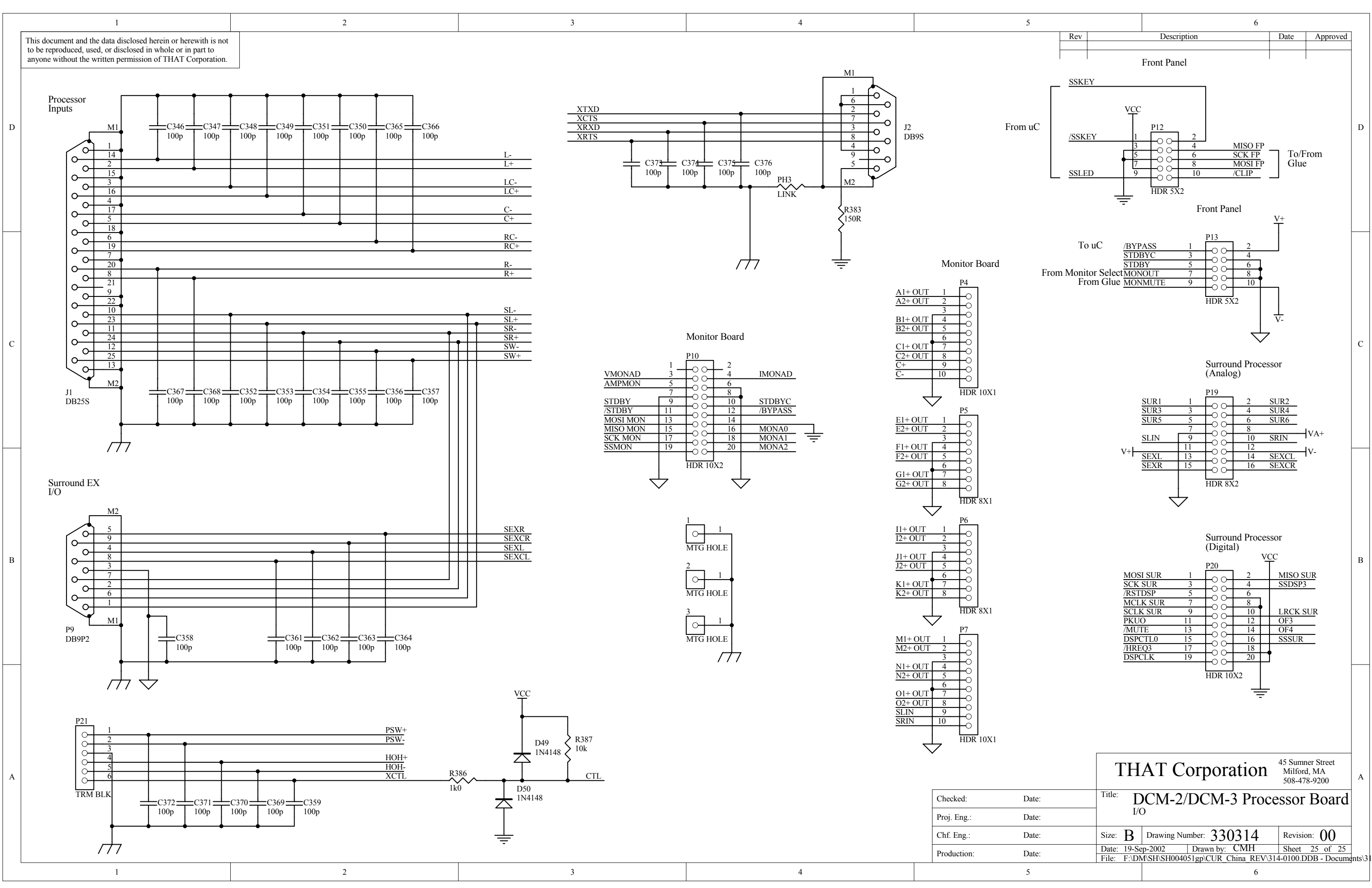


THAT Corporation 45 Sumner Street
Milford, MA 01854
508-478-9200

Checked:	Date:	Title: DCM-2/DCM-3 Processor Board Power Supply & Surround Inputs
Proj. Eng.:	Date:	
Chf. Eng.:	Date:	Size: B Drawing Number: 330314 Revision: 00
Production:	Date:	Date: 19-Sep-2002 Drawn by: CMH Sheet 24 of 25
File: F:\DM\SH\SH004051gp\CUR_China_REV\314-0100.DDB - Documents\314-24		

This document and the data disclosed herein or herewith is not to be reproduced, used, or disclosed in whole or in part to anyone without the written permission of THAT Corporation.

Rev	Description	Date	Approved



THAT Corporation 45 Sumner Street
 Milford, MA 01850
 508-478-9200

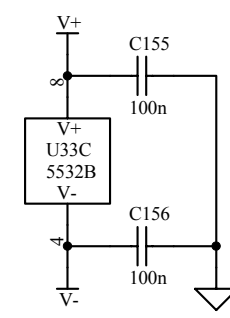
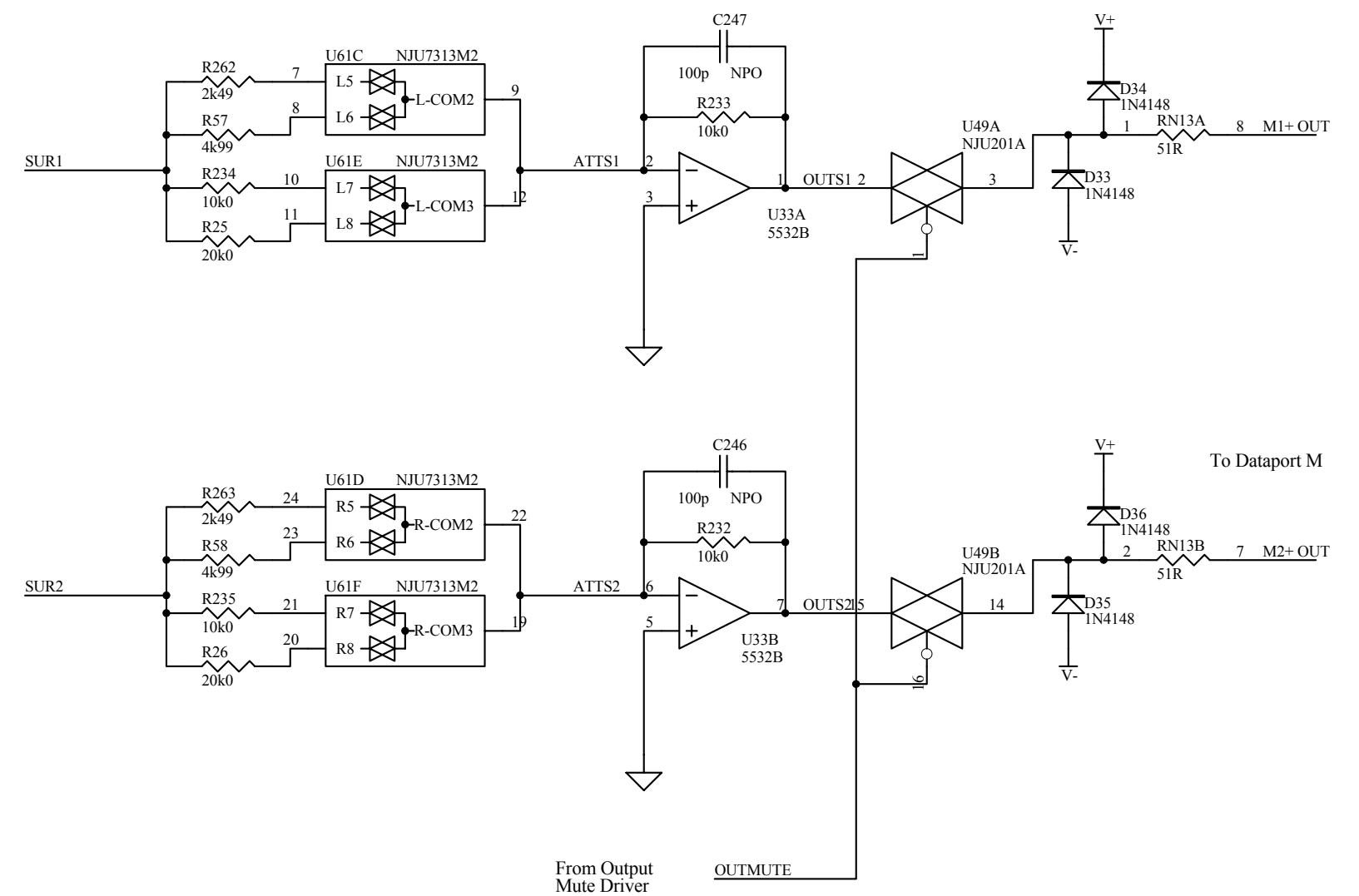
Title: **DCM-2/DCM-3 Processor Board I/O**

Checked:	Date:	Size: B	Drawing Number: 330314	Revision: 00
Proj. Eng.:	Date:	Date: 19-Sep-2002	Drawn by: CMH	Sheet 25 of 25
Chf. Eng.:	Date:	File: F:\DM\SH\SH004051gp\CUR China REV\314-0100.DDB - Documents\314-25		
Production:	Date:			

This document and the data disclosed herein or herewith is not to be reproduced, used, or disclosed in whole or in part to anyone without the written permission of THAT Corporation.

Rev	Description	Date	Approved

Output Gain [+12 dB (+6 dB overall)
+6 dB (0 dB overall)
0 dB (-6 dB overall)
-6 dB (-12 dB overall)



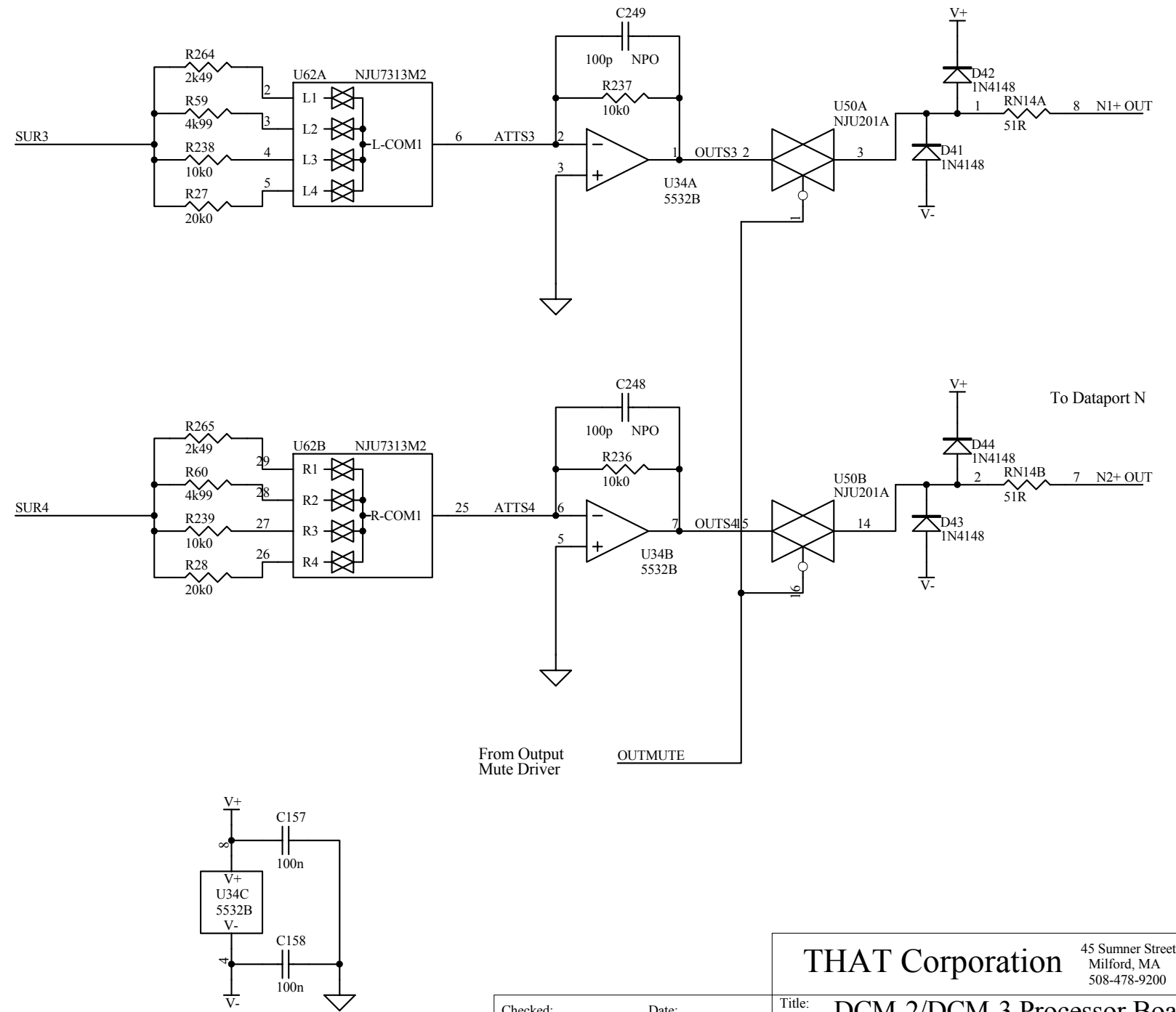
THAT Corporation		45 Sumner Street Milford, MA 508-478-9200	
Title: DCM-2/DCM-3 Processor Board Dataport M			
Checked:	Date:	Size: B	Drawing Number: 330314
Proj. Eng.:	Date:	Revision: 00	
Chf. Eng.:	Date:	Date: 19-Sep-2002	Drawn by: CMH
Production:	Date:	Sheet 14 of 25	File: F:\DM\SH\SH004051gp\CUR_China_REV\314-0100.DDB - Documents\314-14

This document and the data disclosed herein or herewith is not to be reproduced, used, or disclosed in whole or in part to anyone without the written permission of THAT Corporation.

Rev	Description	Date	Approved

Output Gain

- +12 dB (+6 dB overall)
- +6 dB (0 dB overall)
- 0 dB (-6 dB overall)
- 6 dB (-12 dB overall)



THAT Corporation 45 Sumner Street
Milford, MA 508-478-9200

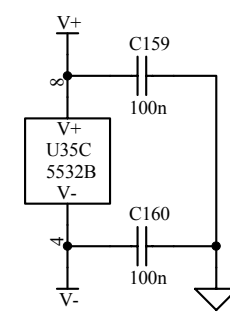
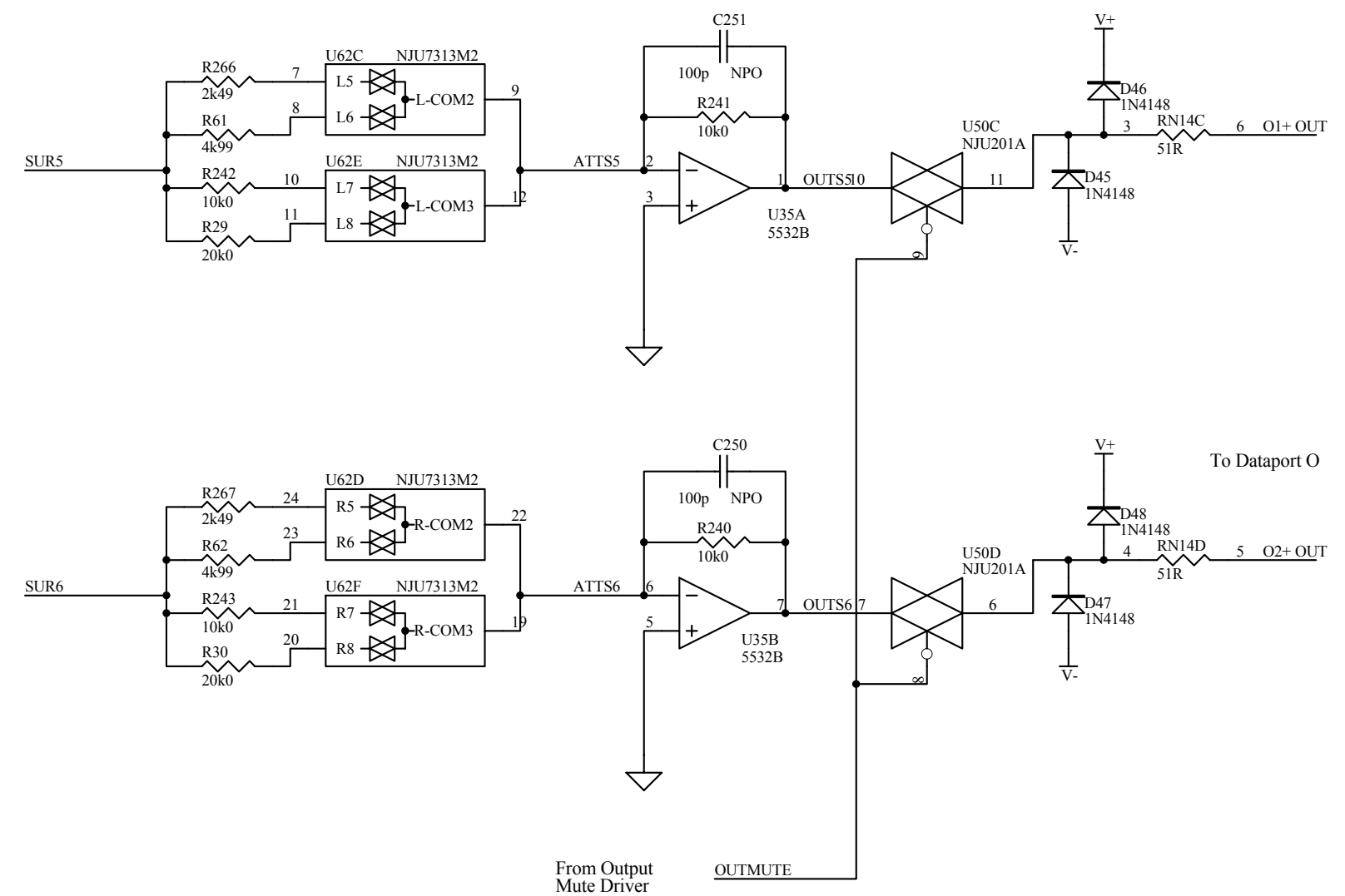
Title: **DCM-2/DCM-3 Processor Board**
Dataport N

Checked:	Date:	Size: B	Drawing Number: 330314	Revision: 00
Proj. Eng.:	Date:	Date: 19-Sep-2002	Drawn by: CMH	Sheet 15 of 25
Chf. Eng.:	Date:	File: F:\DM\SH\SH004051gp\CUR_China_REV\314-0100.DDB - Documents\314-15		
Production:	Date:			

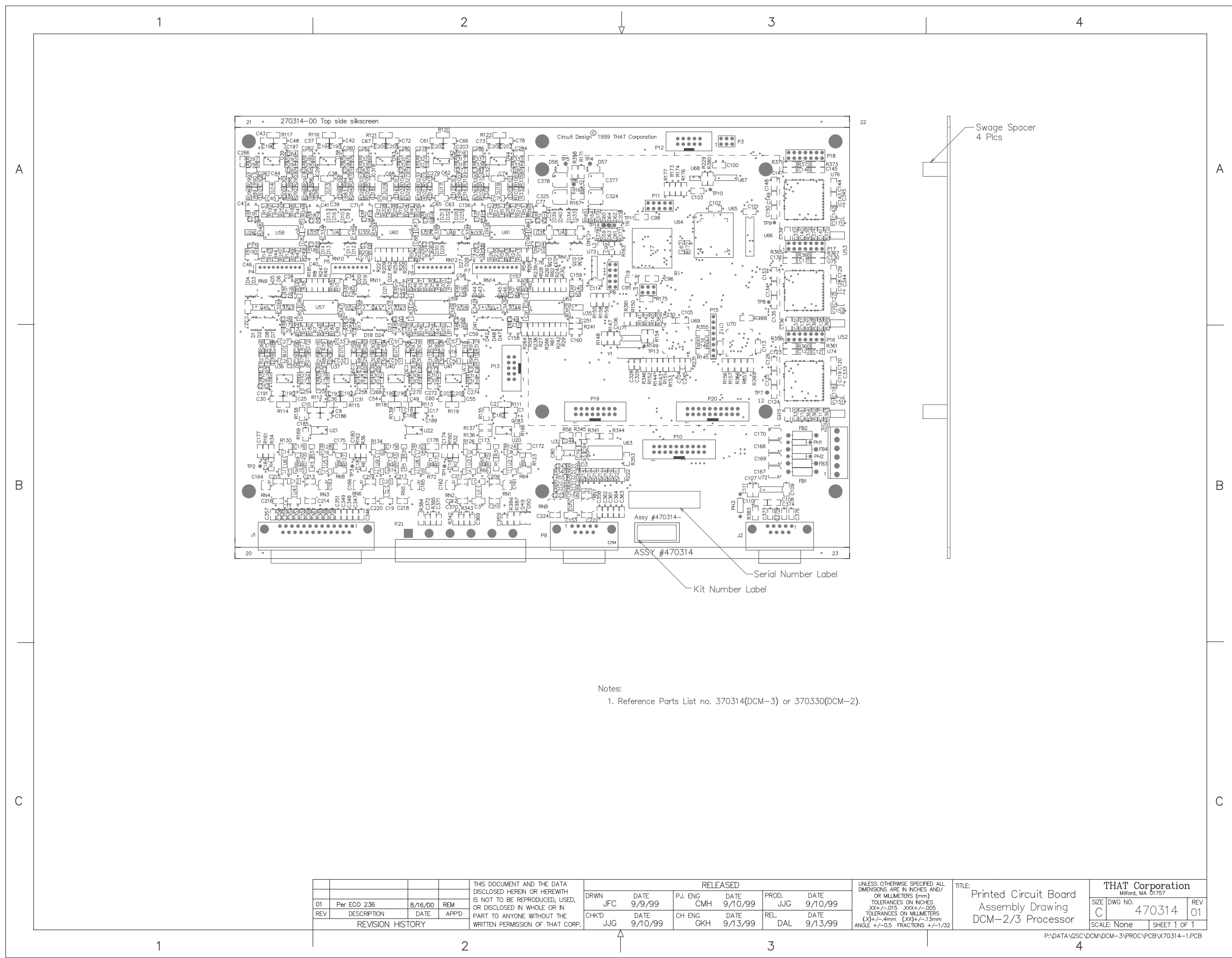
This document and the data disclosed herein or herewith is not to be reproduced, used, or disclosed in whole or in part to anyone without the written permission of THAT Corporation.

Rev	Description	Date	Approved

Output Gain [+12 dB (+6 dB overall)
+6 dB (0 dB overall)
0 dB (-6 dB overall)
-6 dB (-12 dB overall)



THAT Corporation		45 Sumner Street Milford, MA 508-478-9200	
Title: DCM-2/DCM-3 Processor Board Dataport O			
Checked:	Date:	Size: B	Drawing Number: 330314
Proj. Eng.:	Date:	Revision: 00	
Chf. Eng.:	Date:	Date: 19-Sep-2002	Drawn by: CMH
Production:	Date:	Sheet 16 of 25	File: F:\DM\SH\SH004051gp\CUR_China_REV\314-0100.DDB - Documents\314-16



Notes:
 1. Reference Parts List no. 370314(DCM-3) or 370330(DCM-2).

REV	DESCRIPTION	DATE	APPD
01	Per ECO 236	8/16/00	REM

THIS DOCUMENT AND THE DATA DISCLOSED HEREIN OR HEREWITH IS NOT TO BE REPRODUCED, USED, OR DISCLOSED IN WHOLE OR IN PART TO ANYONE WITHOUT THE WRITTEN PERMISSION OF THAT CORP.

RELEASED					
DRWN	DATE	PJ. ENG	DATE	PROD.	DATE
JFC	9/9/99	CMH	9/10/99	JJG	9/10/99
CHK'D	DATE	CH ENG	DATE	REL.	DATE
JJG	9/10/99	GKH	9/13/99	DAL	9/13/99

UNLESS OTHERWISE SPECIFIED ALL DIMENSIONS ARE IN INCHES AND/OR MILLIMETERS (mm)
 TOLERANCES ON INCHES
 .XX+/-0.15 .XXX+/-0.005
 TOLERANCES ON MILLIMETERS
 (X)+/-0.4mm (XX)+/-0.3mm
 ANGLE +/-0.5 FRACTIONS +/-1/32

TITLE:
 Printed Circuit Board
 Assembly Drawing
 DCM-2/3 Processor

THAT Corporation		
Milford, MA 01757		
SIZE	DWG NO.	REV
C	470314	01
SCALE: None	SHEET 1 OF 1	