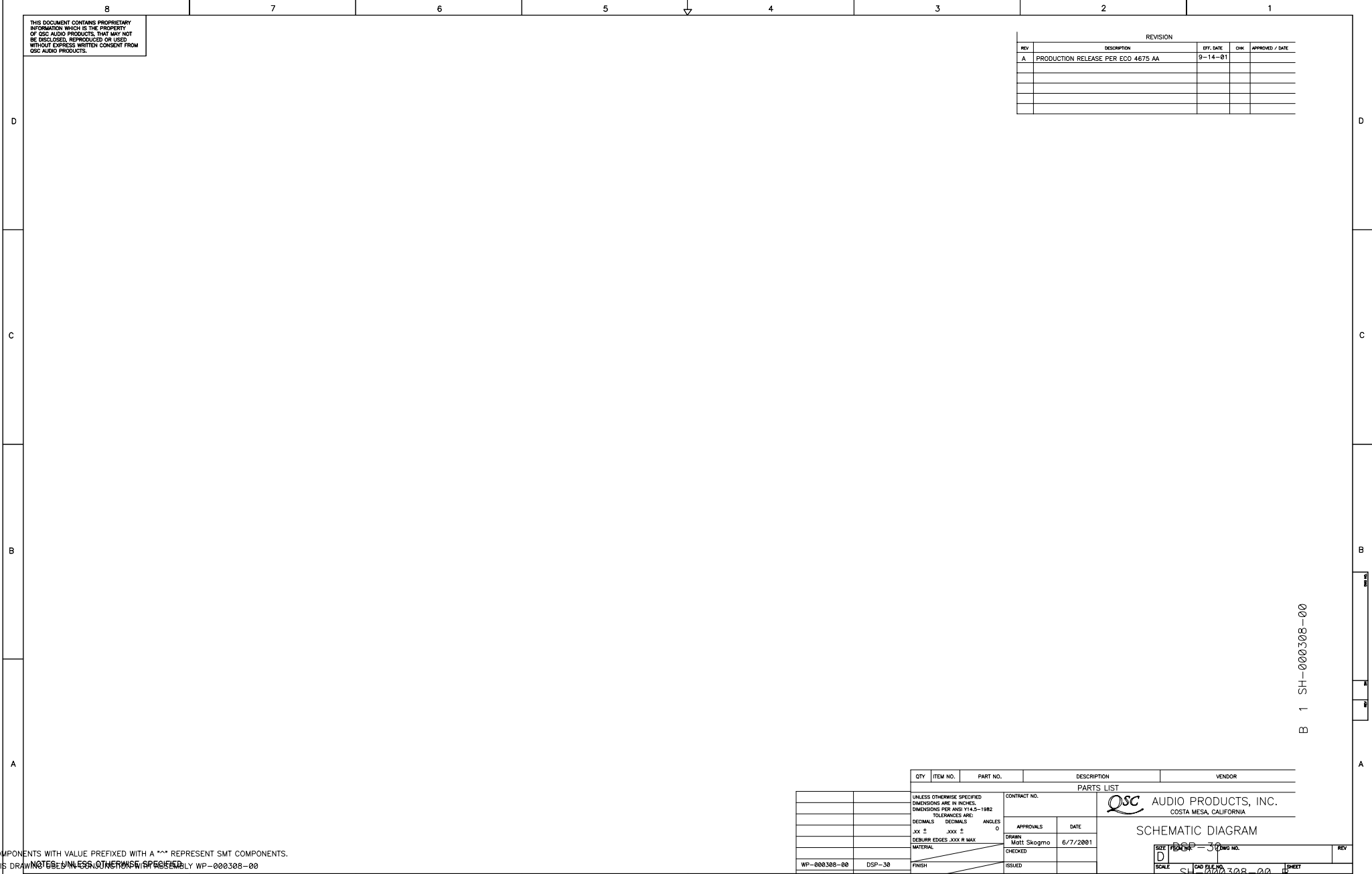


THIS DOCUMENT CONTAINS PROPRIETARY INFORMATION WHICH IS THE PROPERTY OF QSC AUDIO PRODUCTS. THAT MAY NOT BE DISCLOSED, REPRODUCED OR USED WITHOUT EXPRESS WRITTEN CONSENT FROM QSC AUDIO PRODUCTS.

REVISION				
REV	DESCRIPTION	EFF. DATE	CHK	APPROVED / DATE
A	PRODUCTION RELEASE PER ECO 4675 AA	9-14-01		



B 1 SH-000308-00

QTY	ITEM NO.	PART NO.	DESCRIPTION	VENDOR
-----	----------	----------	-------------	--------

CONTRACT NO. QSC AUDIO PRODUCTS, INC. COSTA MESA, CALIFORNIA

UNLESS OTHERWISE SPECIFIED DIMENSIONS ARE IN INCHES. DIMENSIONS FOR ANSI Y14.5-1982 TOLERANCES ARE:		
DECIMALS	DECIMALS	ANGLES
.XX ±	.XXX ±	0
DEBURK EDGES .XXX R MAX		
MATERIAL		
WP-000308-00	DSP-30	FINISH
NEXT ASSY	USED ON	
APPLICATION		
DO NOT SCALE DRAWING		

APPROVALS	DATE
DRAWN Matt Skogmo	6/7/2001
CHECKED	
ISSUED	
CAD FILE NO.	Plt Jun 21, 2002

SCHEMATIC DIAGRAM

SIZE: **D** PART NO: **DSP-30** DWG NO. **SH-000308-00**

SCALE: **1** CAD FILE NO. **SH-000308-00** SHEET **1** REV **0**

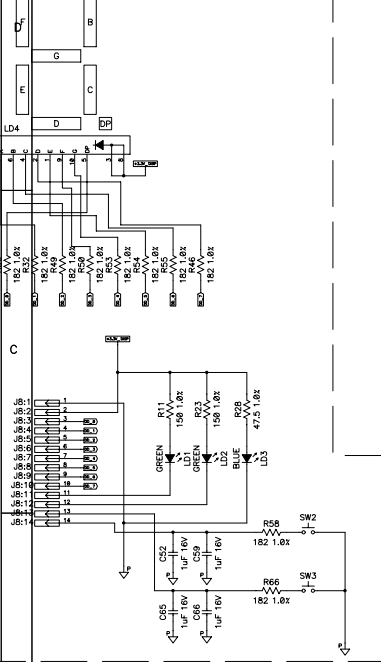
1 of 13

2. COMPONENTS WITH VALUE PREFIXED WITH A \*\*\* REPRESENT SMT COMPONENTS.  
 1. THIS DRAWING IS UNLESS OTHERWISE SPECIFIED WP-000308-00

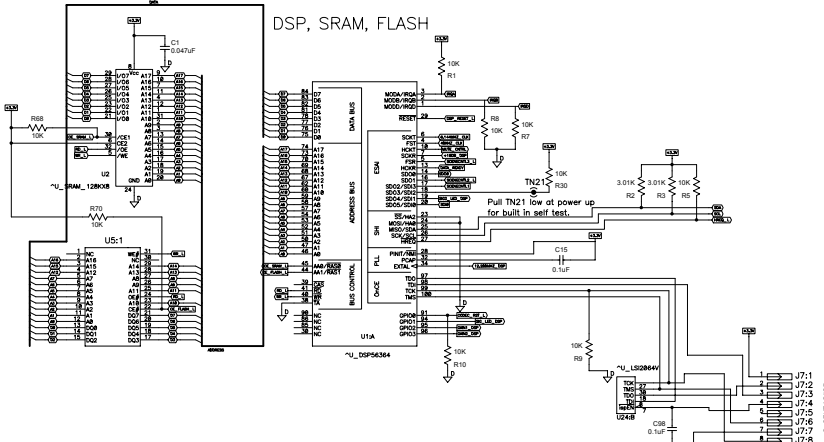
THIS DOCUMENT CONTAINS PROPRIETARY INFORMATION WHICH IS THE PROPERTY OF GSC AUDIO PRODUCTS. THAT MAY NOT BE DISCLOSED, REPRODUCED OR USED WITHOUT EXPRESS WRITTEN CONSENT FROM GSC AUDIO PRODUCTS.

# DSP-30

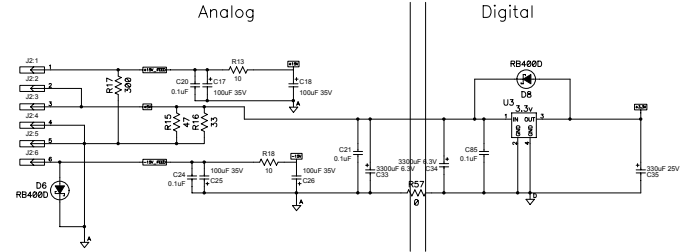
## Front Panel



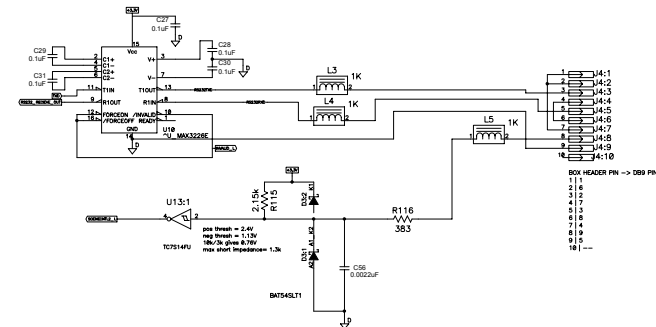
## DSP, SRAM, FLASH



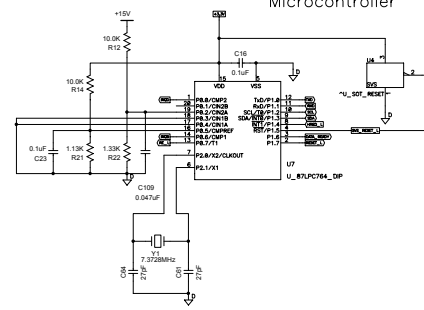
## Power Supply



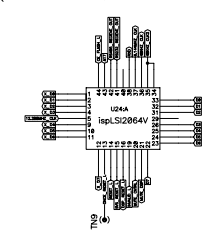
## RS-232/Contact Sense



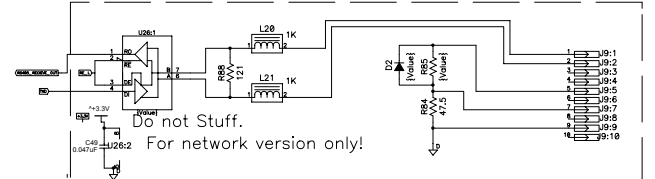
## Microcontroller



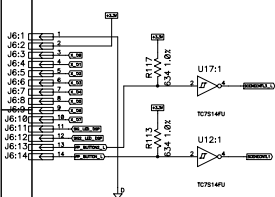
## CPLD (CLOCK GEN, FRONT PANEL I/F, RESET)



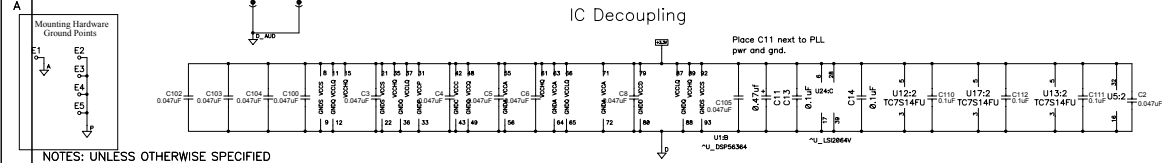
## RS-485/Dataport



## Front Panel I/O/Button I/F

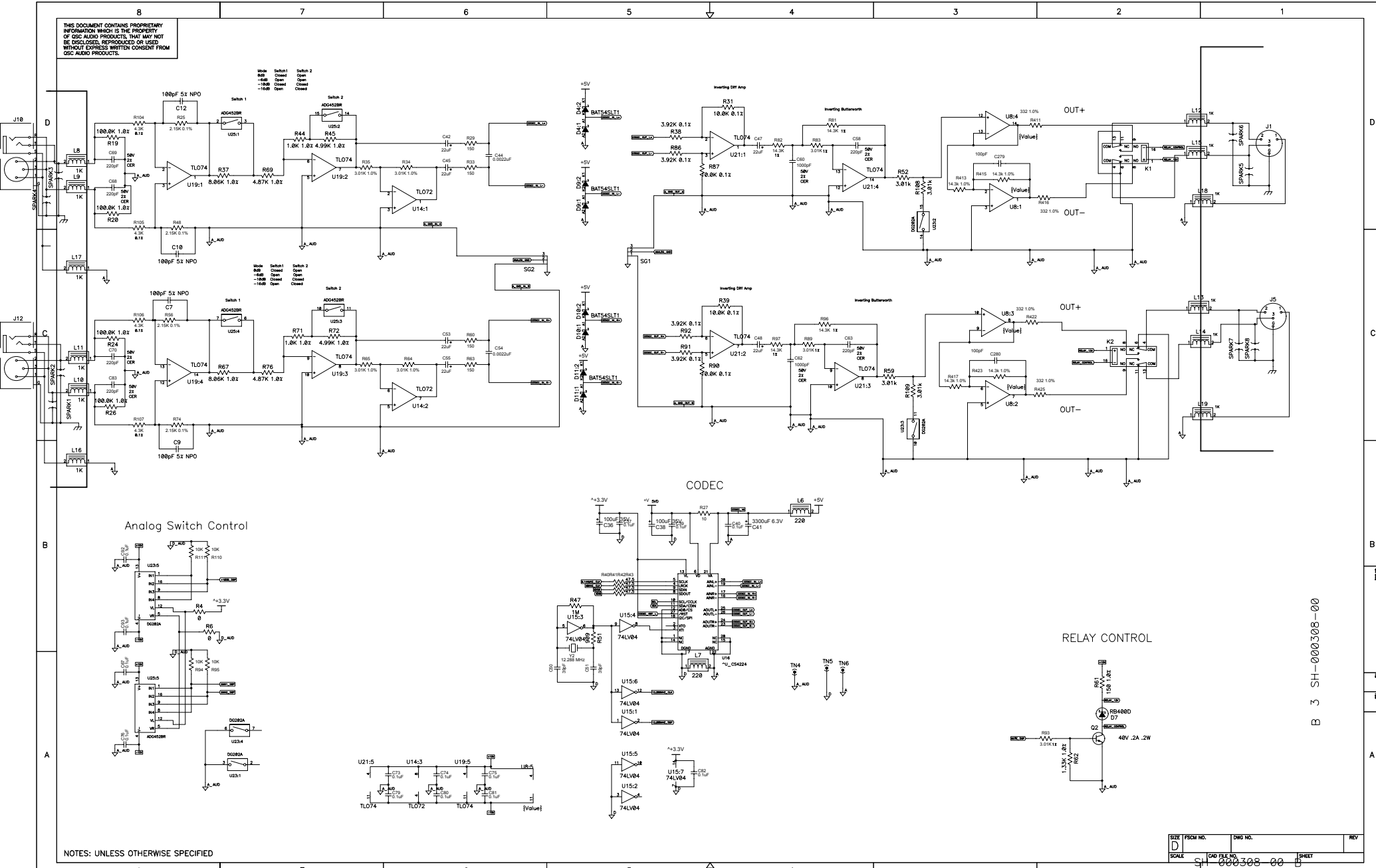


## IC Decoupling



NOTES: UNLESS OTHERWISE SPECIFIED

THIS DOCUMENT CONTAINS PROPRIETARY INFORMATION WHICH IS THE PROPERTY OF GSC AUDIO PRODUCTS. THAT MAY NOT BE DISCLOSED, REPRODUCED OR USED WITHOUT EXPRESS WRITTEN CONSENT FROM GSC AUDIO PRODUCTS.



NOTES: UNLESS OTHERWISE SPECIFIED

SIZE	FSM NO.	DRG NO.	REV
D			
SCALE	CAD FILE NO.	SHEET	
	SH-000308-00	3 of 3	

B 3 SH-000308-00