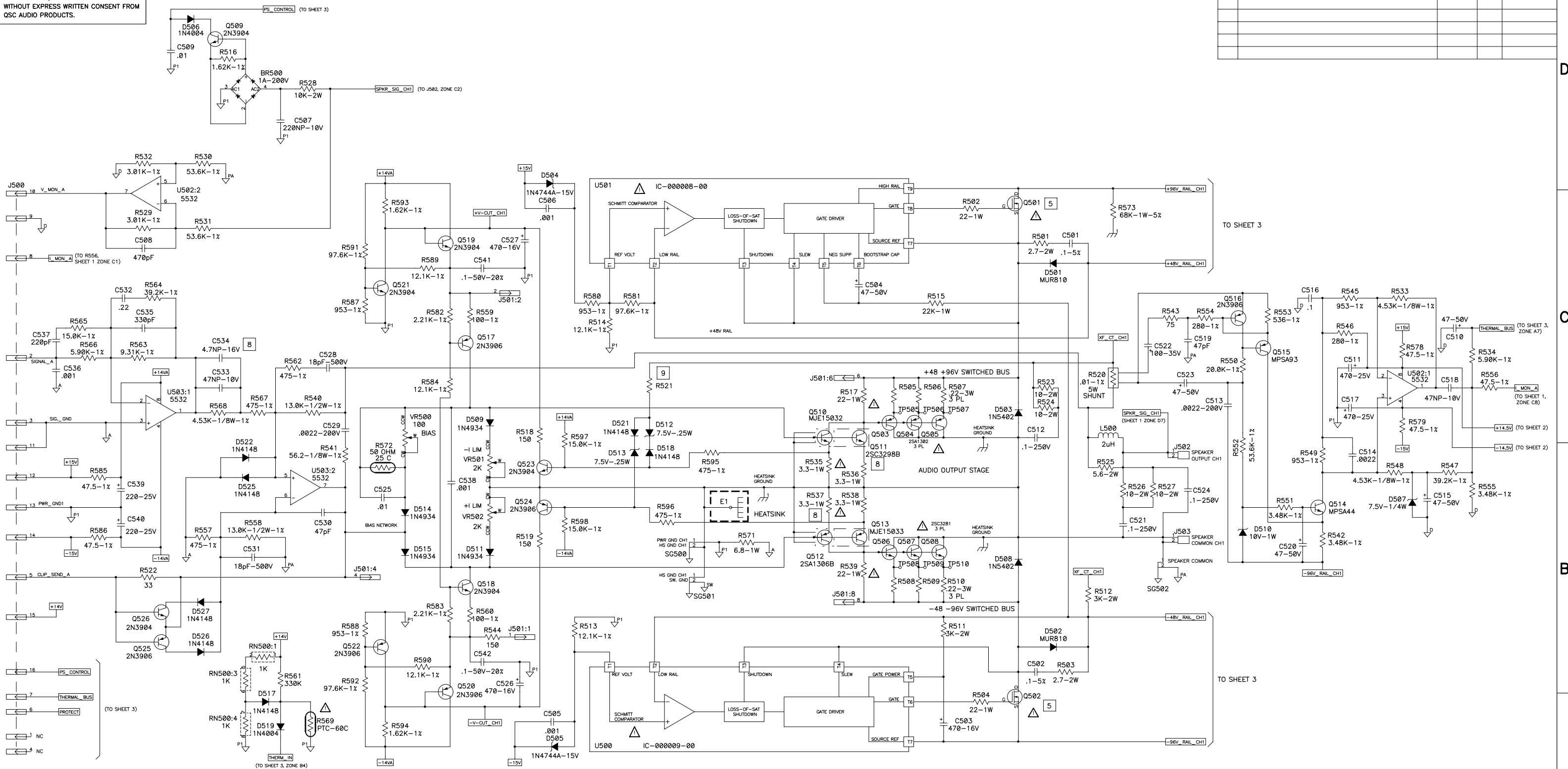


THIS DOCUMENT CONTAINS PROPRIETARY INFORMATION WHICH IS THE PROPERTY OF QSC AUDIO PRODUCTS. THAT MAY NOT BE DISCLOSED, REPRODUCED OR USED WITHOUT EXPRESS WRITTEN CONSENT FROM QSC AUDIO PRODUCTS.

REVISION			
REV	DESCRIPTION	EFF. DATE	CHK APPROVED / DATE



- 5. Q501, 502, 601, 602 ARE SWITCHING FETS, QSC P/N QD-000031-QD, 125W, 60V MINIMUM, ON-RESISTANCE 0.030 OHMS MAX.
- 4. R569, 669 ARE POSITIVE TEMPERATURE COEFFICIENT RESISTORS MOUNTED TO HEAT SINK. RESISTANCE 100 OHM COLD, RISING AT 55C. QSC P/N RE-000006-VP. R710 IS MOUNTED TO SIDE OF T703. QSC P/N RE-000009-PT.
- 3. ALL CAPACITORS 100V. TOLERANCE 20% FOR ELECTROLYTIC TYPES, 10% ON OTHER TYPES.
- 2. ALL RESISTORS ARE 1/4-WATT, 5%.
- 1. THIS DRAWING USED IN CONJUNCTION WITH ASSEMBLY WP-000144-XX.

- 9. COMPONENTS VALUES MUST BE REPLACED WITH EXACT VALUE.
R521/R621 = 18K-1W USE WITH 120V/230V
R521/R621 = 22K-1W USE WITH 100V
- 8. COMPONENTS C534, C634, Q511, Q512, Q611, Q612, R63, R536, R537, R636, R637 ARE SPARES AND ARE NOT LISTED IN THE BILL OF MATERIALS.
- 7. PARTS MARKED WITH TRIANGLE Δ MUST BE REPLACED WITH EXACT TYPE ONLY.
- 6. ZENERS D507, 512, 513, 607, 612, 613 AND D737, MARKED 7.5V, LOW LEAKAGE, QSC P/N QD-0007.5-ZT. ZENER D55, MARKED 6.2V, LOW LEAKAGE, QSC P/N QD-000024-QD.

NOTES: UNLESS OTHERWISE SPECIFIED

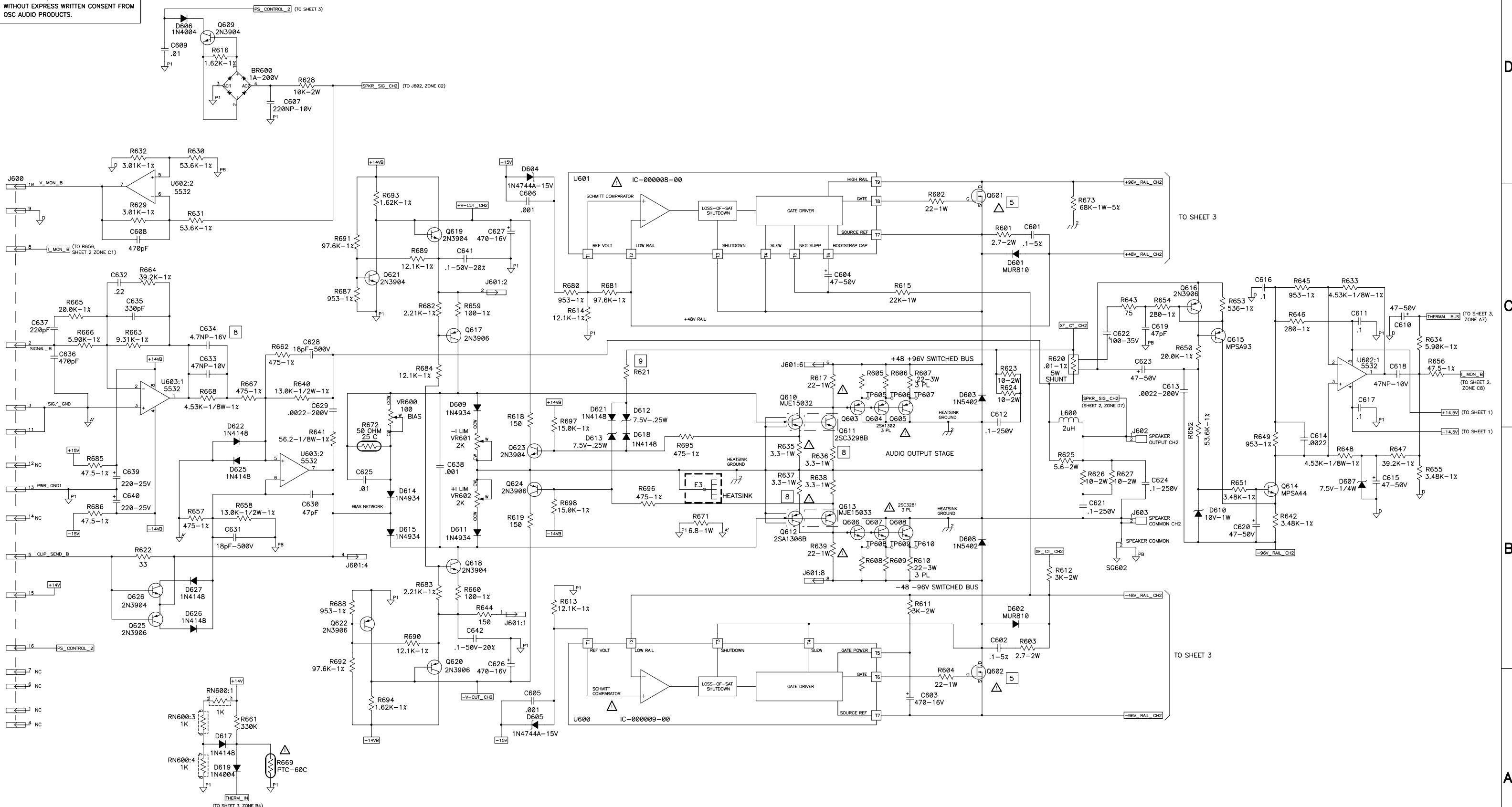
QTY	ITEM NO.	PART NO.	DESCRIPTION	VENDOR
PARTS LIST				
UNLESS OTHERWISE SPECIFIED DIMENSIONS ARE IN INCHES. DIMENSIONS PER ANSI Y14.5-1982 TOLERANCES ARE:			CONTRACT NO.	
DECIMALS .XX ±	DECIMALS .XXX ±	ANGLES 0	APPROVALS	
MATERIAL			DATE	
FINISH			DRAWN A. CERRILLO 1-29-96	
NEXT ASSY USED ON			CHECKED W. RULAND 9-12-96	
APPLICATION			ISSUED T. SHOOK 9-20-96	
DO NOT SCALE DRAWING			SIZE FSCM NO. DWG NO. SH-000144-00 REV	
SCALE NONE			CAD FILE NO. SH144-d.sch SHEET 1 OF 3	
PLOT DATE: Thu May 04, 2000			P:\TANGPROV\PL\1.8DP\MAIN	

QSC AUDIO PRODUCTS, INC.
COSTA MESA, CALIFORNIA

SCHEMATIC DIAGRAM
MAIN PCB, POWERLIGHT 1.8DP

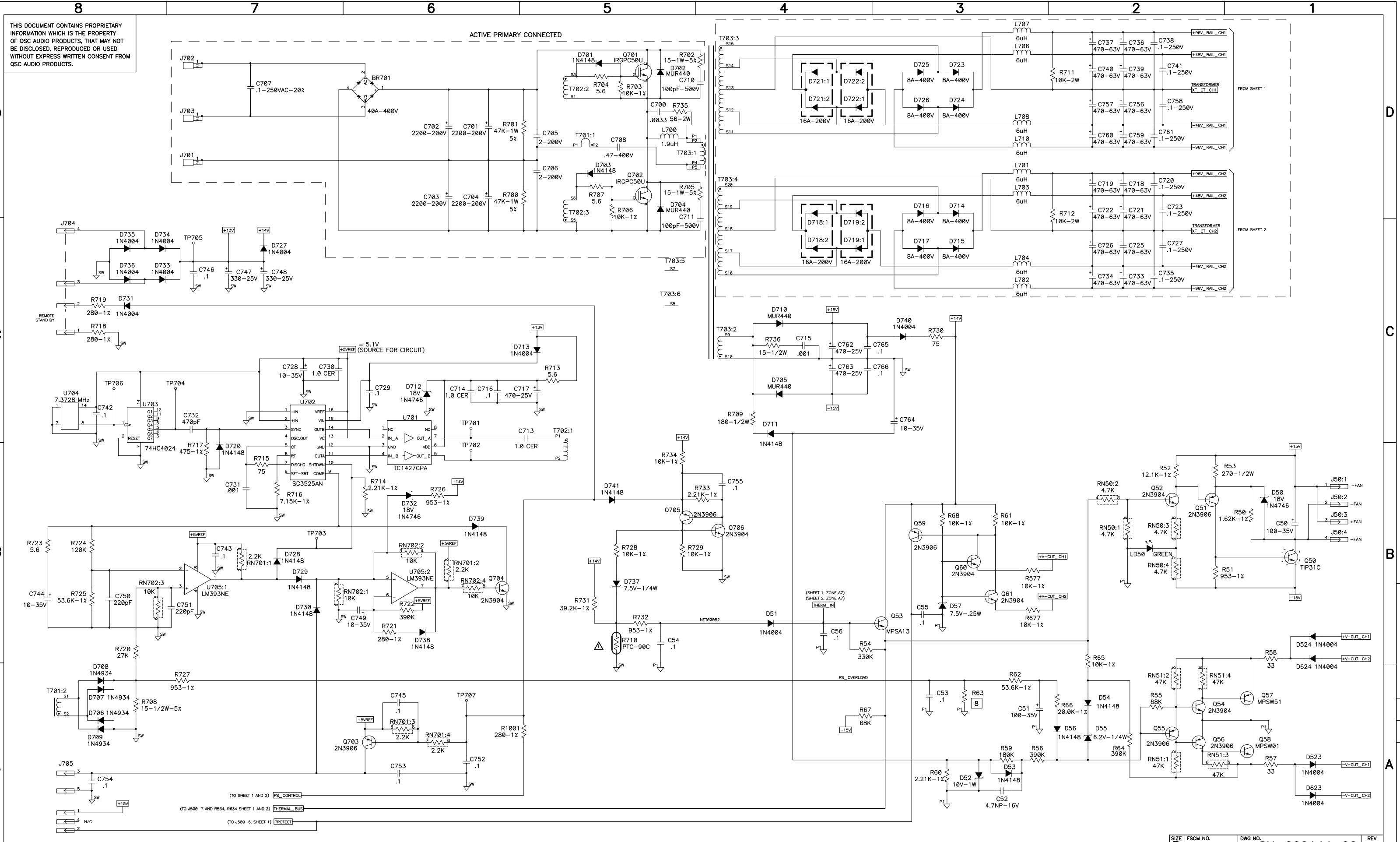
DWG NO. SH-000144-00

THIS DOCUMENT CONTAINS PROPRIETARY INFORMATION WHICH IS THE PROPERTY OF QSC AUDIO PRODUCTS, THAT MAY NOT BE DISCLOSED, REPRODUCED OR USED WITHOUT EXPRESS WRITTEN CONSENT FROM QSC AUDIO PRODUCTS.



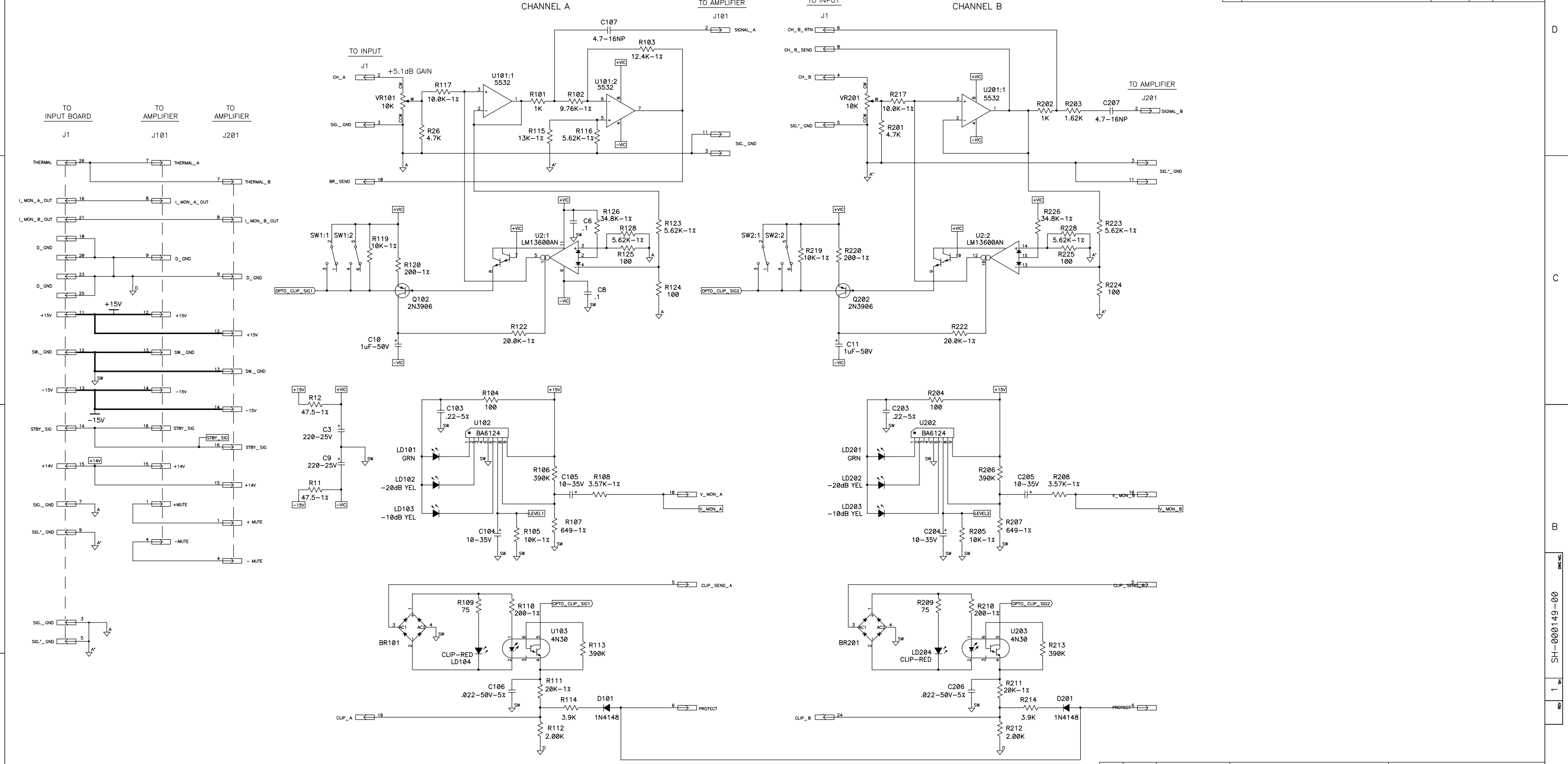
DWG NO. SH-000144-00

THIS DOCUMENT CONTAINS PROPRIETARY INFORMATION WHICH IS THE PROPERTY OF QSC AUDIO PRODUCTS, THAT MAY NOT BE DISCLOSED, REPRODUCED OR USED WITHOUT EXPRESS WRITTEN CONSENT FROM QSC AUDIO PRODUCTS.



THIS DOCUMENT CONTAINS PROPRIETARY INFORMATION WHICH IS THE PROPERTY OF QSC AUDIO PRODUCTS. THAT MAY NOT BE DISCLOSED, REPRODUCED OR USED WITHOUT EXPRESS WRITTEN CONSENT FROM QSC AUDIO PRODUCTS.

REVISION				
REV	DESCRIPTION	EFF. DATE	CHK	APPROVED / DATE

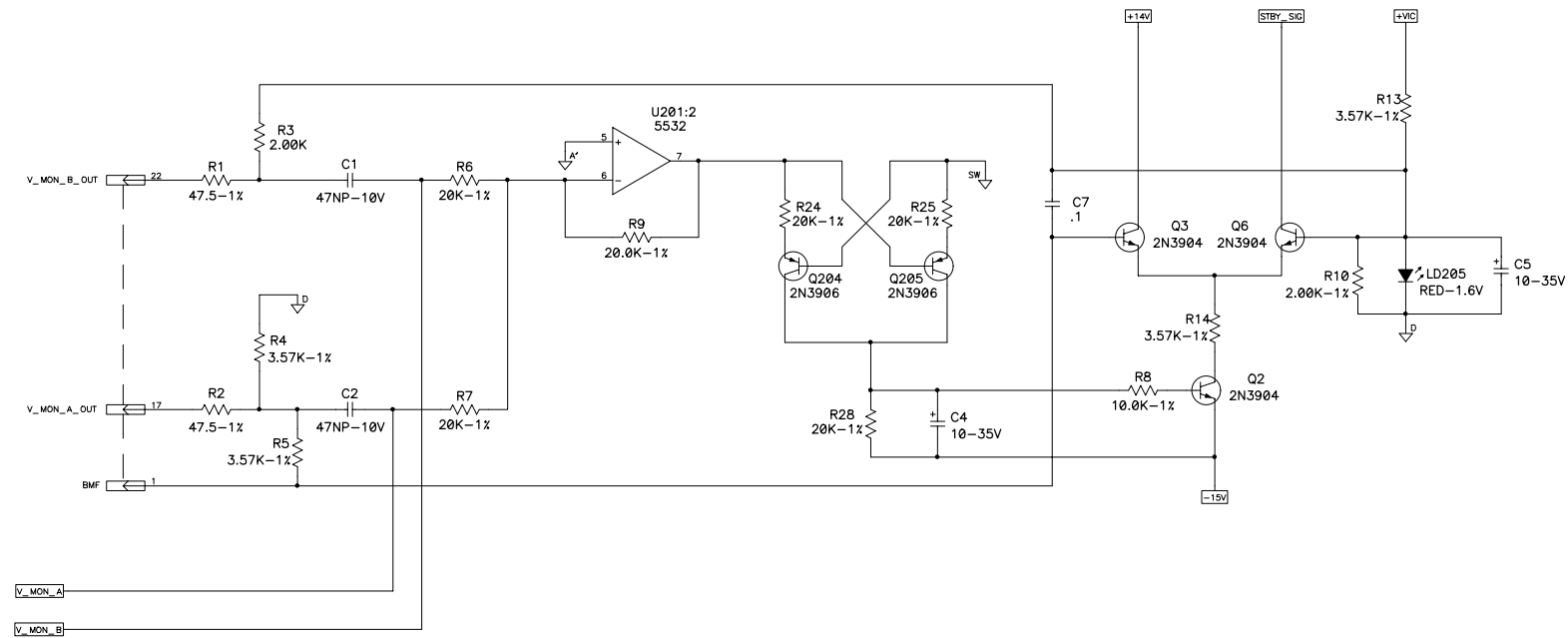
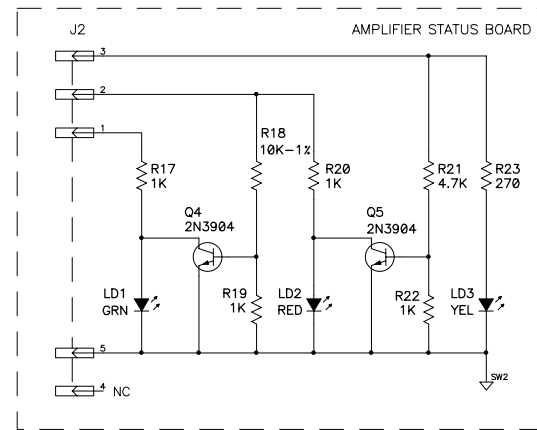


4. PARTS IN COMMON WITH BOTH CHANNELS NUMBERED 1-99.
 CH 1 COMPONENTS NUMBERED 101-199.
 CH 2 COMPONENTS NUMBERED 201-299.
 3. CAPACITORS ARE IN MICROFARADS, 25V MIN.
 2. RESISTORS ARE IN OHMS, 1/4W_400, 5%.
 1. THIS DRAWING USED IN CONJUNCTION WITH ASSEMBLY WP-000149-00 AND FABRICATION DRAWING PC-000149-00.
- NOTES: UNLESS OTHERWISE SPECIFIED

QTY	ITEM NO.	PART NO.	DESCRIPTION	VENDOR
PARTS LIST				
UNLESS OTHERWISE SPECIFIED DIMENSIONS ARE IN INCHES. DIMENSIONS PER ANSI Y14.5-1982 TOLERANCES ARE:			QSC AUDIO PRODUCTS, INC. COSTA MESA, CALIFORNIA	
DECIMALS	DECIMALS	ANGLES		
.XX ±	.XXX ±	0	APPROVALS: R. BECKER DATE: 3-12-96	
DEBURR EDGES .XXX R MAX MATERIAL:			CHECKED: W. RULAND DATE: 8-21-96	
FINISH:			ISSUED: T. SHOOK DATE: 8-22-96	
NEXT ASSY: USED ON:			CAD SEED FILE NO. SH0149-B.SCH Thu May 04, 2000	
APPLICATION: DO NOT SCALE DRAWING			SCALE: NONE CAD FILE NO. sh0149-c.sch SHEET 1 OF 2	

SH-000149-00

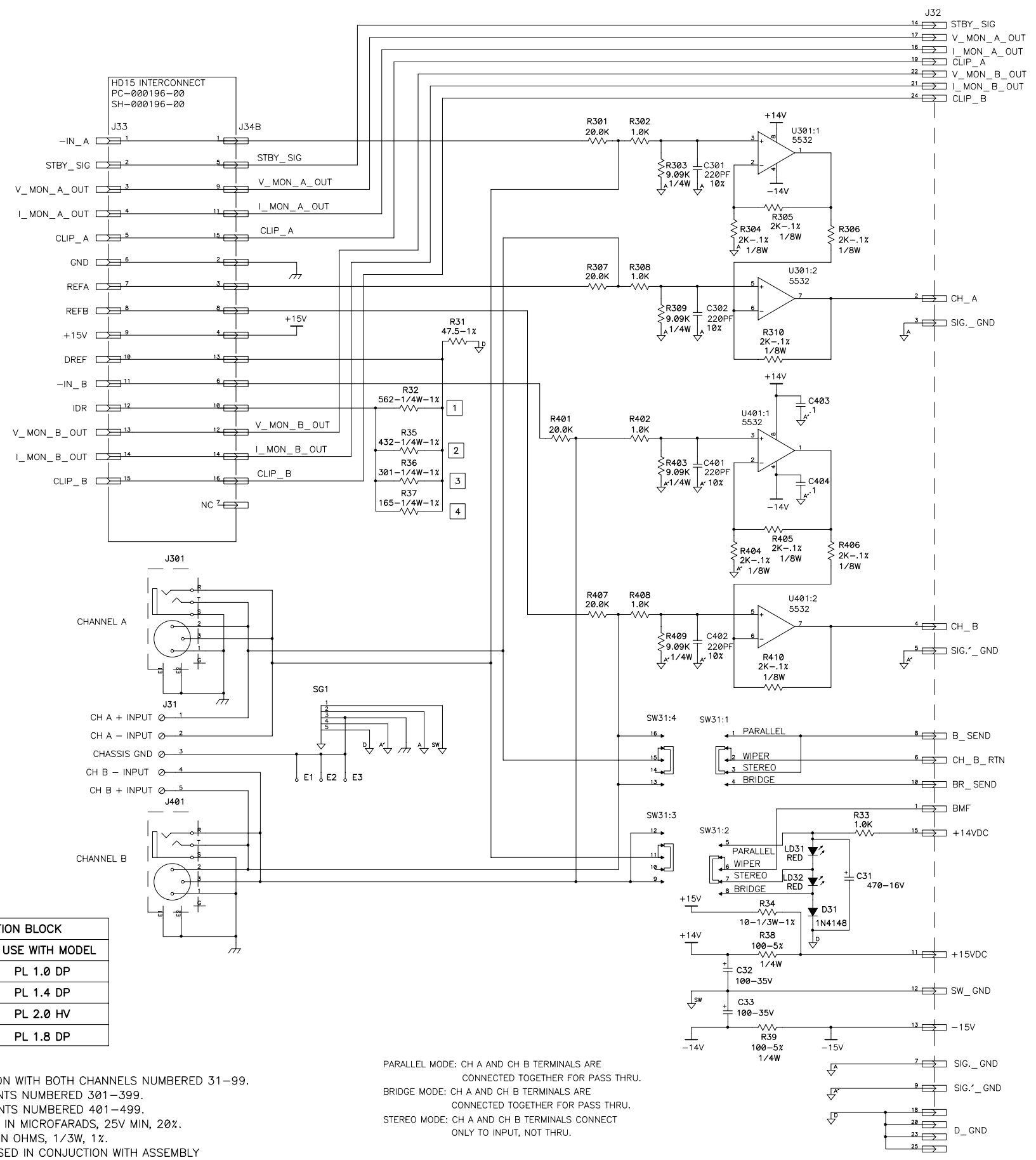
THIS DOCUMENT CONTAINS PROPRIETARY INFORMATION WHICH IS THE PROPERTY OF QSC AUDIO PRODUCTS. THAT MAY NOT BE DISCLOSED, REPRODUCED OR USED WITHOUT EXPRESS WRITTEN CONSENT FROM QSC AUDIO PRODUCTS.



NOTES: UNLESS OTHERWISE SPECIFIED

SIZE D	FSCM NO.	DWG NO. SH-000149-00	REV
SCALE NONE	CAD FILE NO. sh0149-c.sch	SHEET 2	

THIS DOCUMENT CONTAINS PROPRIETARY INFORMATION WHICH IS THE PROPERTY OF QSC AUDIO PRODUCTS. THAT MAY NOT BE DISCLOSED, REPRODUCED OR USED WITHOUT EXPRESS WRITTEN CONSENT FROM QSC AUDIO PRODUCTS.



TABULATION BLOCK		
REF. NO.	USE WITH MODEL	
1	R32	PL 1.0 DP
2	R35	PL 1.4 DP
3	R36	PL 2.0 HV
4	R37	PL 1.8 DP

4. PARTS IN COMMON WITH BOTH CHANNELS NUMBERED 31-99.
 CH A COMPONENTS NUMBERED 301-399.
 CH B COMPONENTS NUMBERED 401-499.
 3. CAPACITORS ARE IN MICROFARADS, 25V MIN, 20%.
 2. RESISTORS ARE IN OHMS, 1/3W, 1%.
 1. THIS DRAWING USED IN CONJUNCTION WITH ASSEMBLY
 WP-000148-00 AND FABRICATION DRAWING PC-000148-00.
 NOTES: UNLESS OTHERWISE SPECIFIED

PARALLEL MODE: CH A AND CH B TERMINALS ARE CONNECTED TOGETHER FOR PASS THRU.
 BRIDGE MODE: CH A AND CH B TERMINALS ARE CONNECTED TOGETHER FOR PASS THRU.
 STEREO MODE: CH A AND CH B TERMINALS CONNECT ONLY TO INPUT, NOT THRU.

QTY	ITEM NO.	PART NO.	DESCRIPTION	VENDOR
PARTS LIST				
UNLESS OTHERWISE SPECIFIED DIMENSIONS ARE IN INCHES. DIMENSIONS PER ANSI Y14.5-1982 TOLERANCES ARE: DECIMALS DECIMALS ANGLES .xx ± .xxx ± 0 DEBURR EDGES .XXX R MAX MATERIAL			QSC AUDIO PRODUCTS, INC. COSTA MESA, CALIFORNIA SCHEMATIC DIAGRAM INPUT, POWERLIGHT 1.8 DP	
DRAWN A. CERRILLO		DATE 2-28-96		CONTRACT NO. APPROVALS TIM SHOOK 8-22-96 CAD SEED FILE NO. SH0148-2.SCH
CHECKED W. RULAND		DATE 8-21-96		
WP-000148-00	POWERLIGHT 1.8 DP	SIZE D	FSCM NO.	REV 1
NEXT ASSY	USED ON	SCALE NONE	DWG NO. SH-000148-00	CAD FILE NO. SH0148-B.sch
APPLICATION DO NOT SCALE DRAWING		DATE Thu May 04 2000		SHEET 1 OF 1

SH-000148-00