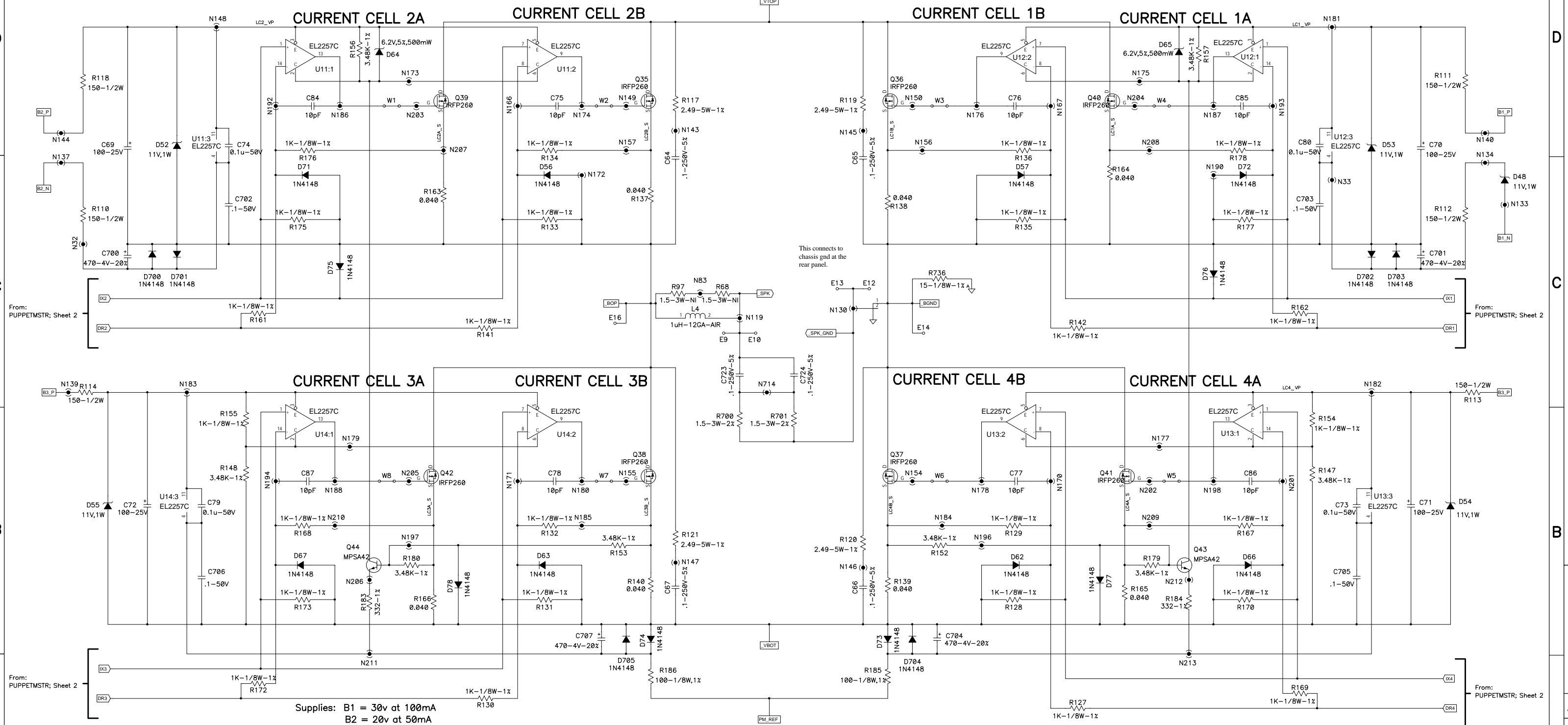


THIS DOCUMENT CONTAINS PROPRIETARY INFORMATION WHICH IS THE PROPERTY OF QSC AUDIO PRODUCTS. THAT MAY NOT BE DISCLOSED, REPRODUCED OR USED WITHOUT EXPRESS WRITTEN CONSENT FROM QSC AUDIO PRODUCTS.

# LC\_OUTPUTS



Supplies: B1 = 30v at 100mA  
 B2 = 20v at 50mA  
 B3 = 40v at 60mA  
 B4 = 27v at 50mA

1. THIS DRAWING USED IN CONJUNCTION WITH ASSEMBLY WP-000261-00 AND FABRICATION DRAWING PC-000171-00.
2. COMPONENTS WITH VALUE PREFIXED WITH A "\*" REPRESENT SMT COMPONENTS.
3. ALL CAPACITORS 100V, TOLERANCE 20% FOR ELECTROLYTIC TYPES, 10% ON ALL OTHERS.
4. R1 IS A POSITIVE TEMPERATURE COEFFICIENT RESISTOR MOUNTED TO HEAT SINK. RESISTANCE IS 100 MAX OHM COLD.

NOTES: UNLESS OTHERWISE SPECIFIED

QTY	ITEM NO.	PART NO.	DESCRIPTION	VENDOR
PARTS LIST				
UNLESS OTHERWISE SPECIFIED DIMENSIONS ARE IN INCHES. DIMENSIONS PER ANSI Y14.5-1982 TOLERANCES ARE:			CONTRACT NO.	
DECIMALS	DECIMALS	ANGLES	APPROVALS	
.XX ±	.XXX ±	°	DATE	
DRAWN R. BALTHAZAR			1/25/99	
CHECKED				
ISSUED				
CAD SEED FILE NO.			PLOT DATE: Thu, May 04, 2008	
APPLICATION			SCALE NONE	
DO NOT SCALE DRAWING			SHEET 1 OF 7	

**QSC AUDIO PRODUCTS, INC.**  
 COSTA MESA, CALIFORNIA

**SCHEMATIC DIAGRAM**  
**MAIN PCB, PL 6.0**

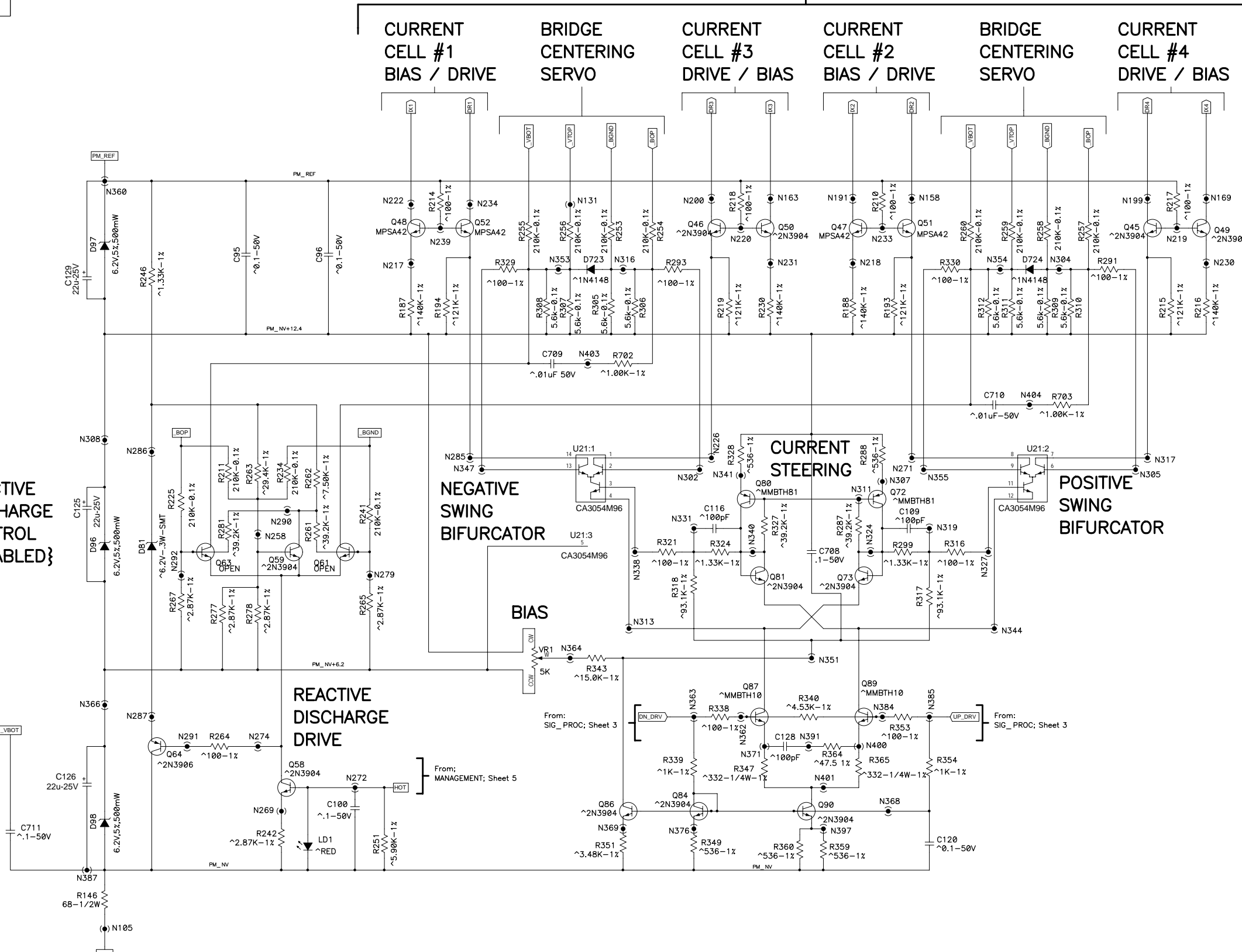
DWG NO. **SH-000261-00**

1 SH-000261-00

THIS DOCUMENT CONTAINS PROPRIETARY INFORMATION WHICH IS THE PROPERTY OF QSC AUDIO PRODUCTS, THAT MAY NOT BE DISCLOSED, REPRODUCED OR USED WITHOUT EXPRESS WRITTEN CONSENT FROM QSC AUDIO PRODUCTS.

# PUPPETMSTR

To:  
LC\_OUTPUTS; Sheet 1



REACTIVE DISCHARGE CONTROL {DISABLED}

NEGATIVE SWING BIFURCATOR

BIAS

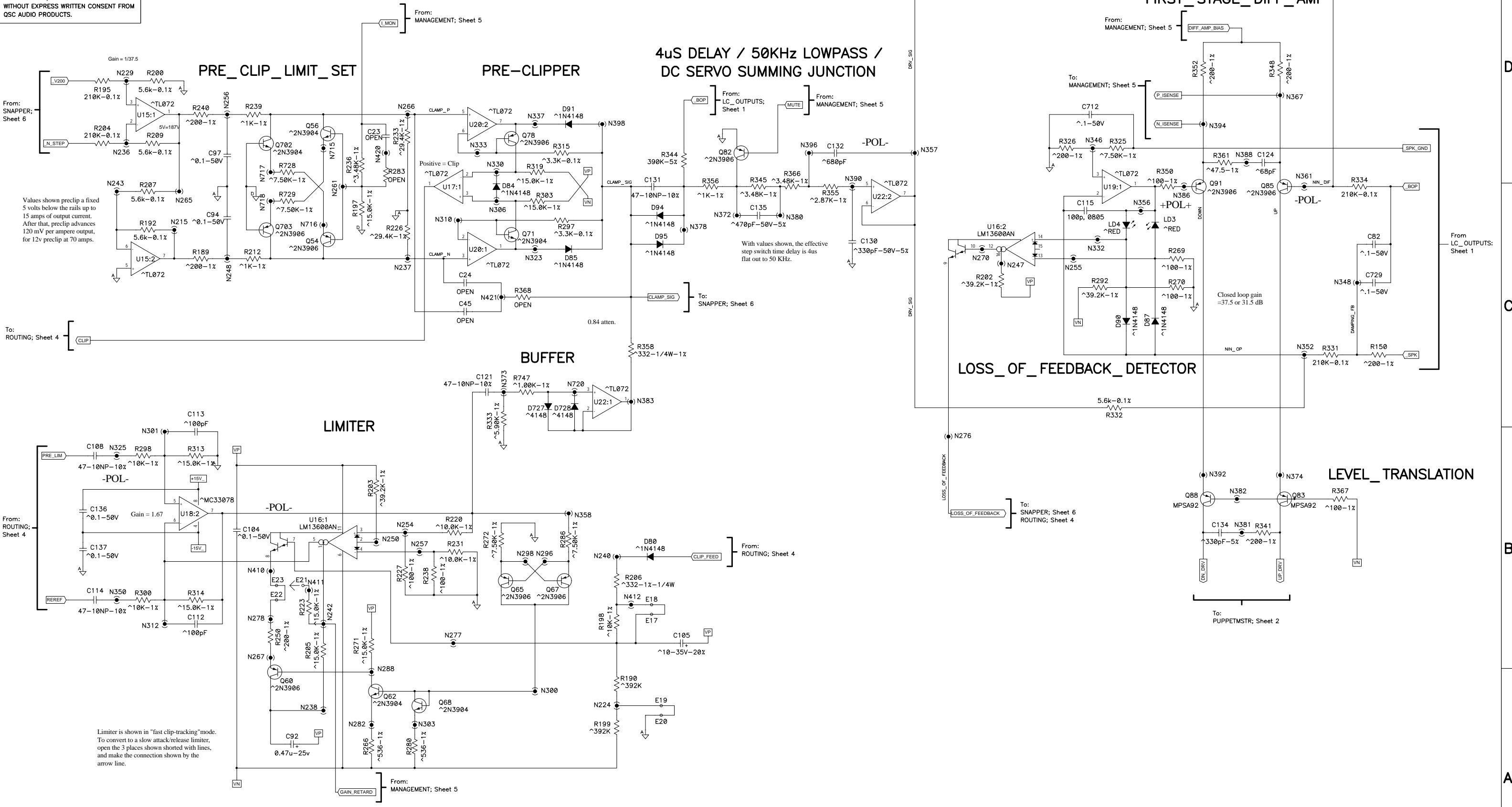
CURRENT STEERING

POSITIVE SWING BIFURCATOR

REACTIVE DISCHARGE DRIVE

THIS DOCUMENT CONTAINS PROPRIETARY INFORMATION WHICH IS THE PROPERTY OF QSC AUDIO PRODUCTS, THAT MAY NOT BE DISCLOSED, REPRODUCED OR USED WITHOUT EXPRESS WRITTEN CONSENT FROM QSC AUDIO PRODUCTS.

# SIG\_PROC



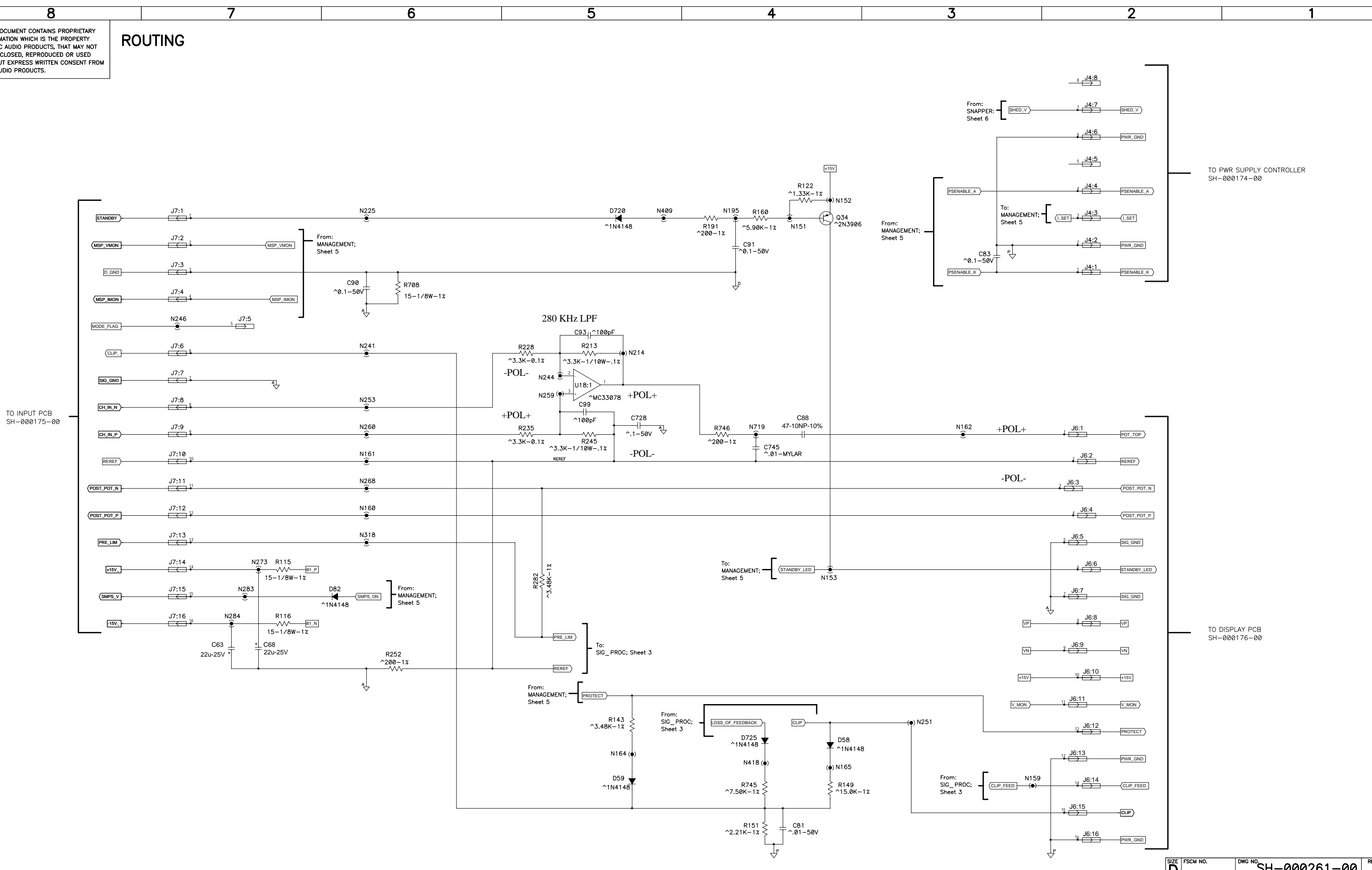
Values shown preclip a fixed 5 volts below the rails up to 15 amps of output current. After that, preclip advances 120 mV per ampere output, for 12v preclip at 70 amps.

With values shown, the effective step switch time delay is 4us flat out to 50 KHz.

Limiter is shown in "fast clip-tracking" mode. To convert to a slow attack/release limiter, open the 3 places shown shorted with lines, and make the connection shown by the arrow line.

THIS DOCUMENT CONTAINS PROPRIETARY INFORMATION WHICH IS THE PROPERTY OF QSC AUDIO PRODUCTS, THAT MAY NOT BE DISCLOSED, REPRODUCED OR USED WITHOUT EXPRESS WRITTEN CONSENT FROM QSC AUDIO PRODUCTS.

# ROUTING



DWG NO. SH-000261-00  
 REV. 4



THIS DOCUMENT CONTAINS PROPRIETARY INFORMATION WHICH IS THE PROPERTY OF QSC AUDIO PRODUCTS, THAT MAY NOT BE DISCLOSED, REPRODUCED OR USED WITHOUT EXPRESS WRITTEN CONSENT FROM QSC AUDIO PRODUCTS.

# SNAPPER

## STEP SWITCH CIRCUIT

Clamps caps to 48-54V

## THRESHOLD DETECTOR / COMPARATOR

## STEP DRIVE SELECTOR / RECTIFIER

NOTE: This opamp must not clamp its input terminals together. TL072 or EQIV!!!

## THRESHOLD DETECTOR / COMPARATOR

## THRESHOLD DETECTOR / COMPARATOR

## STEP SWITCH CIRCUIT

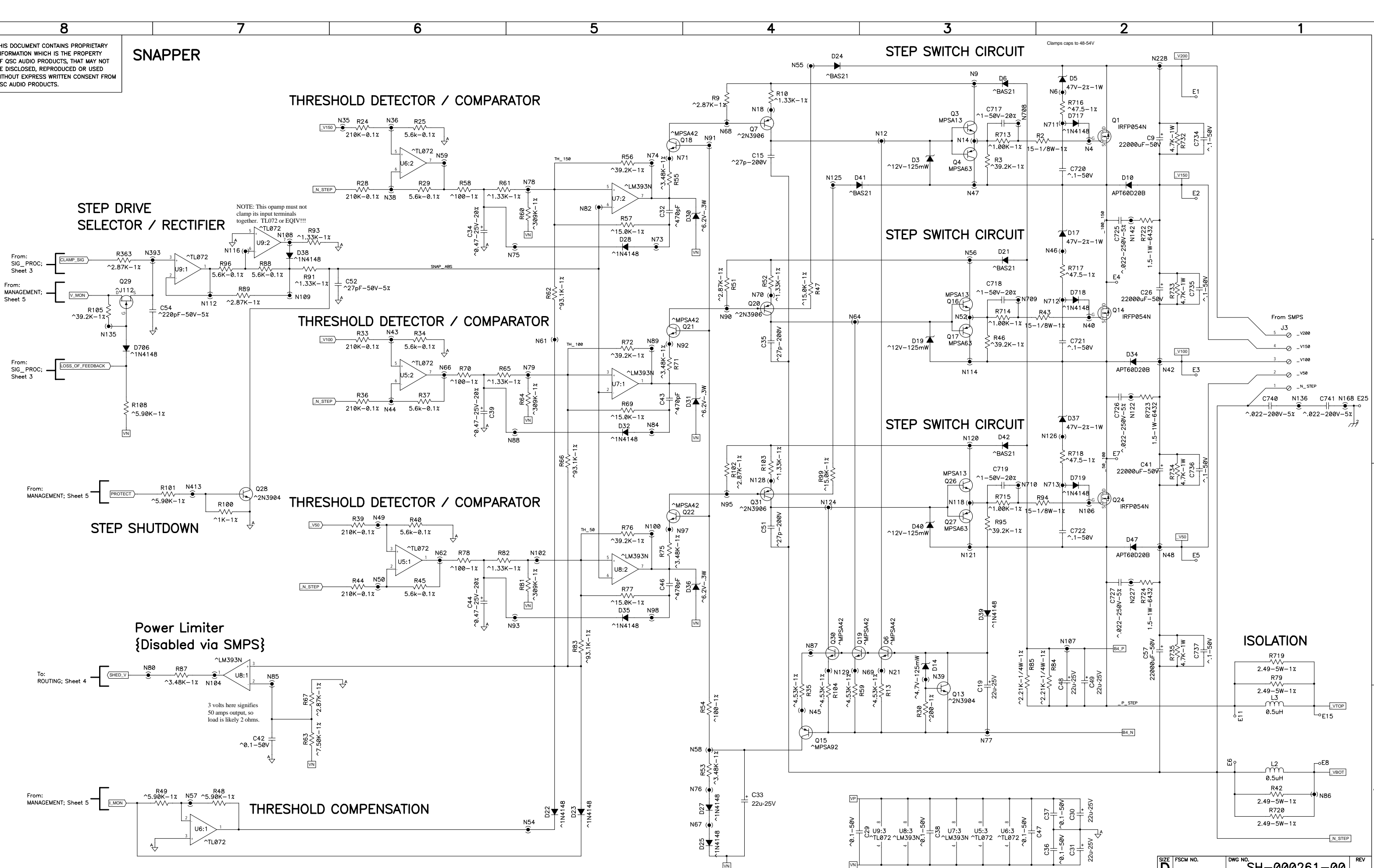
## STEP SWITCH CIRCUIT

## ISOLATION

## Power Limiter {Disabled via SMPS}

3 volts here signifies 50 amps output, so load is likely 2 ohms.

## THRESHOLD COMPENSATION



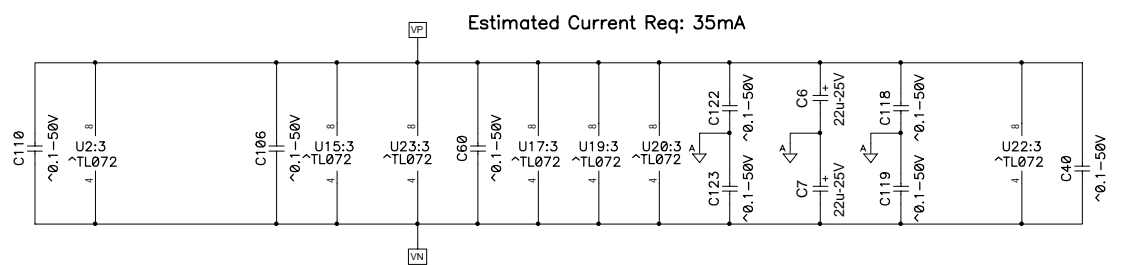
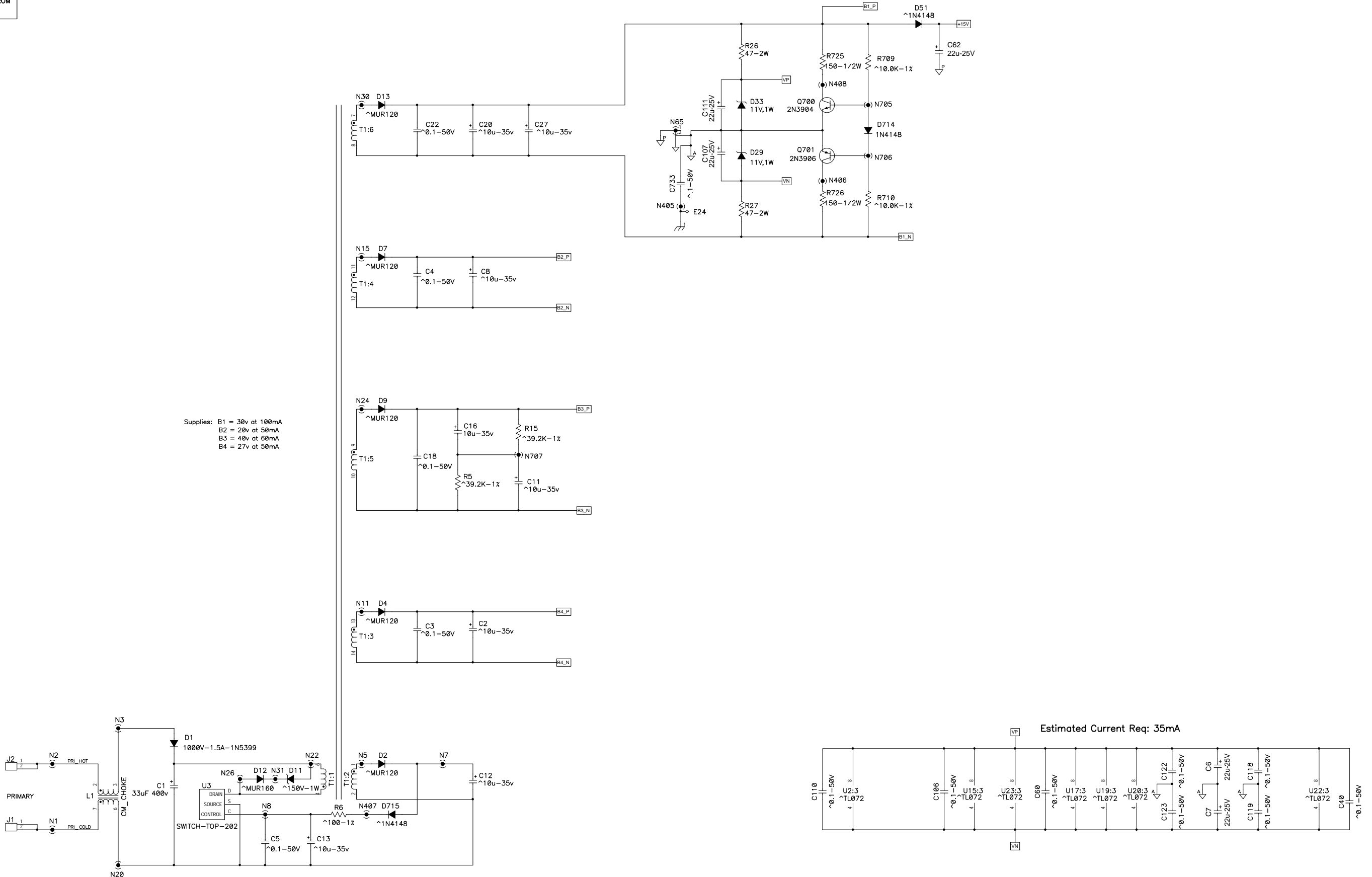
SIZE	FSCM NO.	DWG NO.	REV
D		SH-000261-00	
SCALE	NONE	CAD FILE NO.	SH0261-A.sch
		SHEET	6 OF 7

DWG NO. SH-000261-00

THIS DOCUMENT CONTAINS PROPRIETARY INFORMATION WHICH IS THE PROPERTY OF QSC AUDIO PRODUCTS, THAT MAY NOT BE DISCLOSED, REPRODUCED OR USED WITHOUT EXPRESS WRITTEN CONSENT FROM QSC AUDIO PRODUCTS.

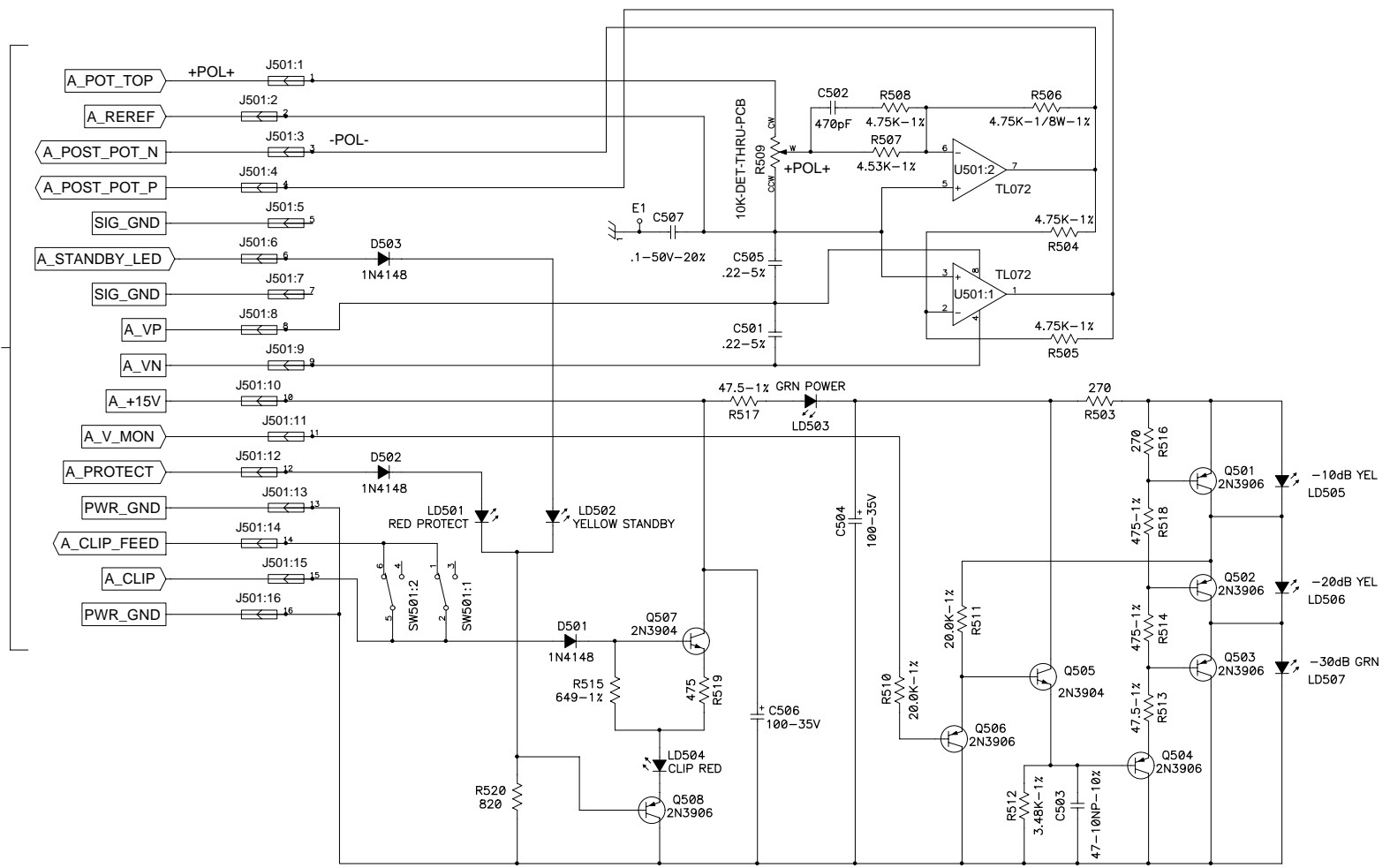
# HK\_SUPPLY

Supplies: B1 = 30v at 100mA  
 B2 = 20v at 50mA  
 B3 = 40v at 60mA  
 B4 = 27v at 50mA



THIS DOCUMENT CONTAINS PROPRIETARY INFORMATION WHICH IS THE PROPERTY OF QSC AUDIO PRODUCTS, THAT MAY NOT BE DISCLOSED, REPRODUCED OR USED WITHOUT EXPRESS WRITTEN CONSENT FROM QSC AUDIO PRODUCTS.

TO MAIN PCB  
SH-000171-00  
SHEET 4



- 4. CH 1 COMPONENTS NUMBERED 501-599.  
CH2 COMPONENTS NUMBERED 601-699.
  - 3. ALL CAPACITORS ARE IN MICROFARADS.
  - 2. ALL RESISTORS ARE IN OHMS, 1/4W, 5%.
  - 1. THIS DRAWING USED IN CONJUNCTION WITH ASSEMBLY WP-000176-00  
AND FABRICATION DRAWING PC-000176-00.
- NOTES: UNLESS OTHERWISE SPECIFIED

QTY	ITEM NO.	PART NO.	DESCRIPTION	VENDOR
PARTS LIST				
UNLESS OTHERWISE SPECIFIED DIMENSIONS ARE IN INCHES. DIMENSIONS PER ANSI Y14.5-1982 TOLERANCES ARE: DECIMALS    DECIMALS    ANGLES .XX ±        .XXX ±        °			CONTRACT NO.	
DRAWN P. Ierymenko			DATE 11-30-95	
CHECKED RCM			5-13-98	
ISSUED TIM SHOOK			5-15-98	
CAD SEED FILE NO.			PLOT DATE: Thu May 04, 2000	
APPLICATION DO NOT SCALE DRAWING			SCALE NONE	

**QSC AUDIO PRODUCTS, INC.**  
COSTA MESA, CALIFORNIA

**SCHEMATIC DIAGRAM**  
**DISPLAY PCB, PL 9.0 & 6.0**

SIZE **D** FSCM NO. DWG NO. **SH-000176-00** REV

SHEET 1 OF 2

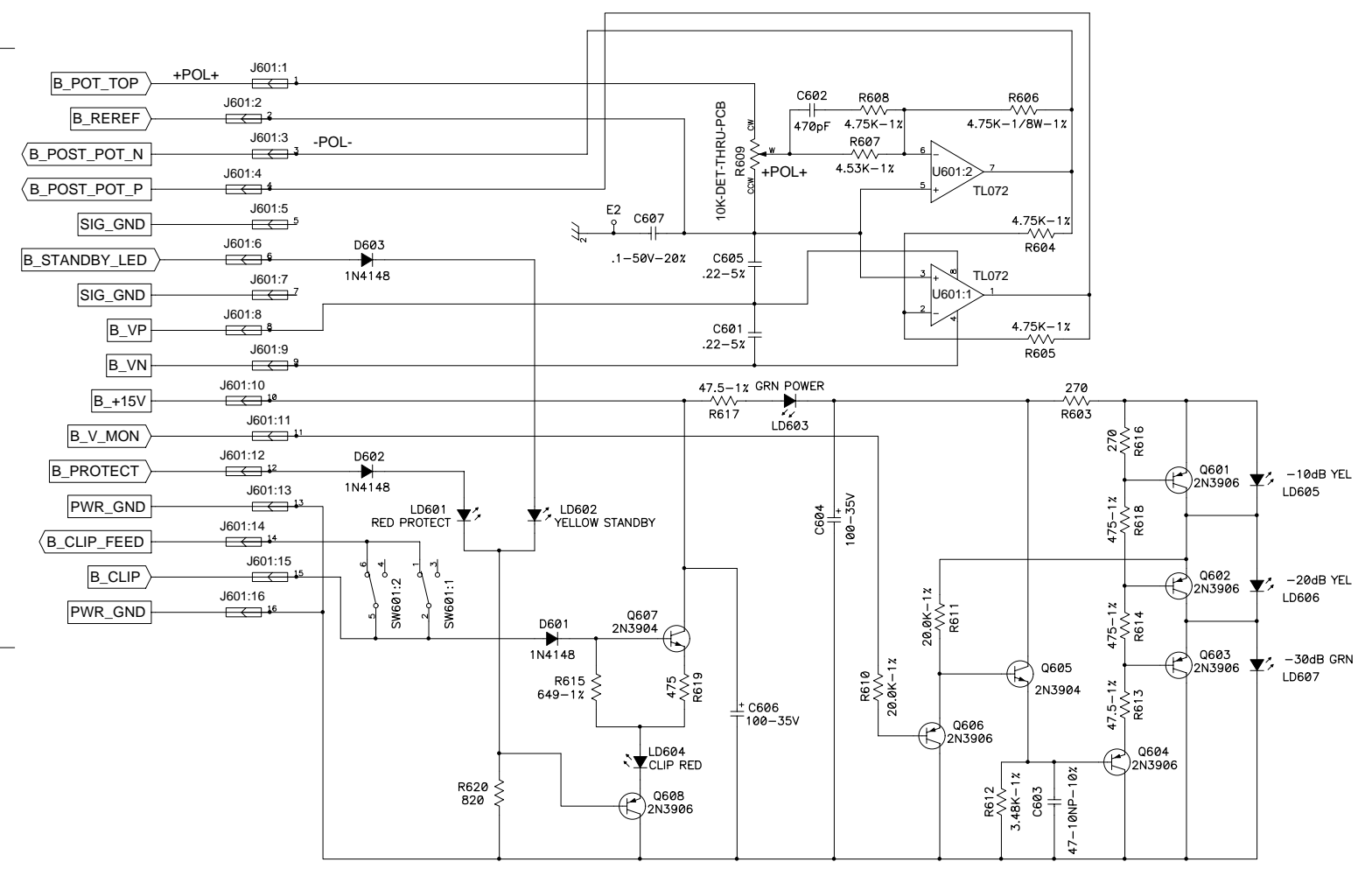
1 SH-000176-00 DWG NO.

A



THIS DOCUMENT CONTAINS PROPRIETARY INFORMATION WHICH IS THE PROPERTY OF QSC AUDIO PRODUCTS, THAT MAY NOT BE DISCLOSED, REPRODUCED OR USED WITHOUT EXPRESS WRITTEN CONSENT FROM QSC AUDIO PRODUCTS.

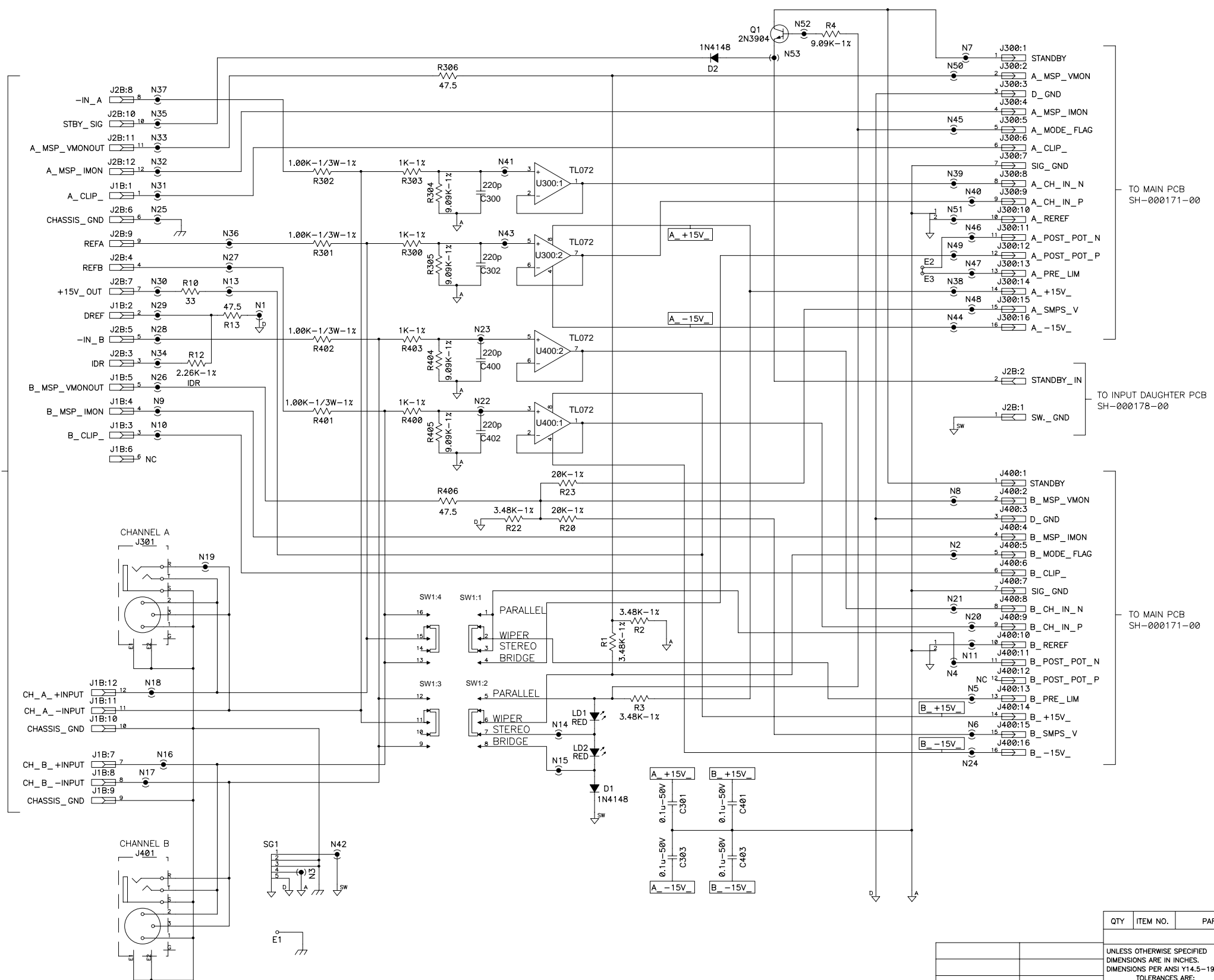
TO MAIN PCB  
SH-000171-00  
SHEET 4



SIZE	FSCM NO.	DWG NO.	REV
D		SH-000176-00	
SCALE	CAD FILE NO.	SHEET	2 OF 2
	Sh176-b.sch		

REV 2 SH-000176-00 DWG NO.

THIS DOCUMENT CONTAINS PROPRIETARY INFORMATION WHICH IS THE PROPERTY OF QSC AUDIO PRODUCTS, THAT MAY NOT BE DISCLOSED, REPRODUCED OR USED WITHOUT EXPRESS WRITTEN CONSENT FROM QSC AUDIO PRODUCTS.



1. THIS DRAWING USED IN CONJUNCTION WITH ASSEMBLY WP-000265-00 AND FABRICATION DRAWING PC-000175-00.

NOTES: UNLESS OTHERWISE SPECIFIED

QTY	ITEM NO.	PART NO.	DESCRIPTION	VENDOR
PARTS LIST				
UNLESS OTHERWISE SPECIFIED DIMENSIONS ARE IN INCHES. DIMENSIONS PER ANSI Y14.5-1982 TOLERANCES ARE:			CONTRACT NO.	
DECIMALS	DECIMALS	ANGLES	APPROVALS	DATE
.XX ±	.XXX ±	0	DRAWN	1/25/99
DEBURR EDGES .XXX R MAX MATERIAL			CHECKED	
WP-000265-00	PL 6.0	FINISH	ISSUED	SIZE FSCM NO.
NEXT ASSY	USED ON		CAD SEED FILE NO.	DWG NO. SH-000265-00
APPLICATION			DO NOT SCALE DRAWING	SHEET 1 OF 1

**QSC AUDIO PRODUCTS, INC.**  
COSTA MESA, CALIFORNIA

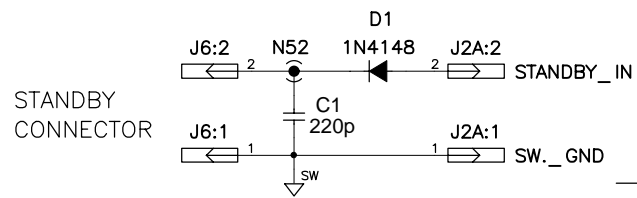
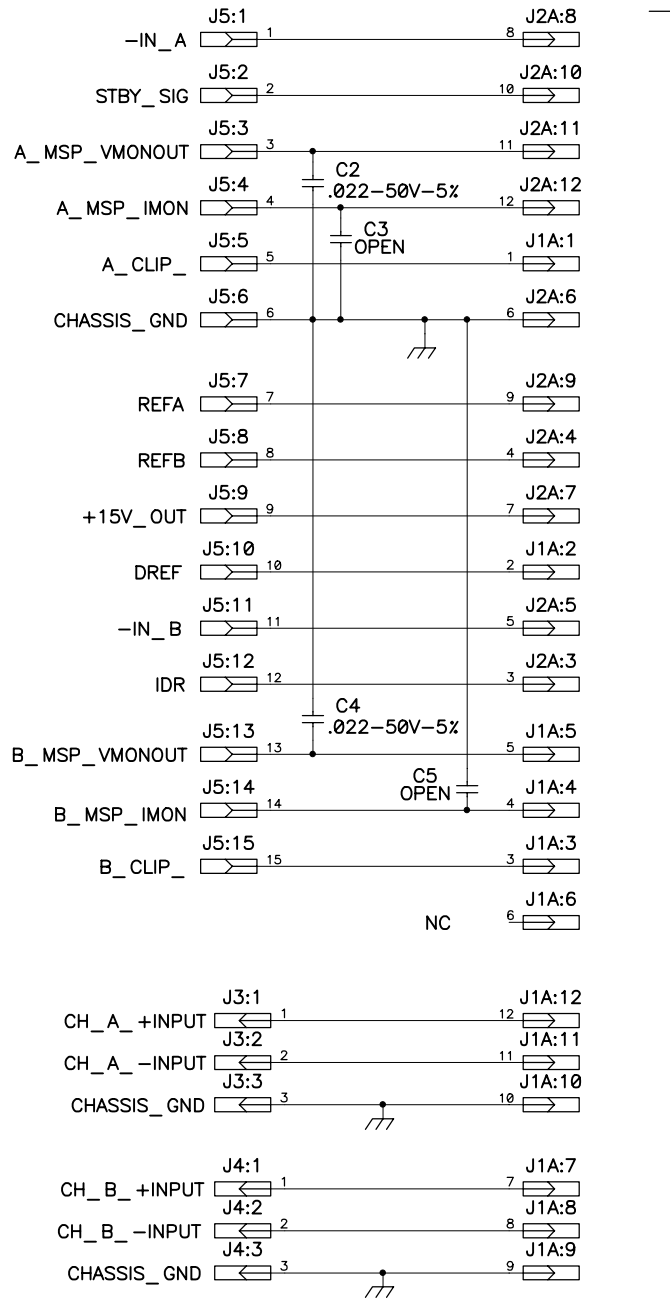
**SCHEMATIC DIAGRAM**  
**INPUT PCB, PL 6.0**

SCALE NONE CAD FILE NO. SH0265-a.sch SHEET 1 OF 1

1 SH-000265-00 DWG NO.

A

THIS DOCUMENT CONTAINS PROPRIETARY INFORMATION WHICH IS THE PROPERTY OF QSC AUDIO PRODUCTS, THAT MAY NOT BE DISCLOSED, REPRODUCED OR USED WITHOUT EXPRESS WRITTEN CONSENT FROM QSC AUDIO PRODUCTS.

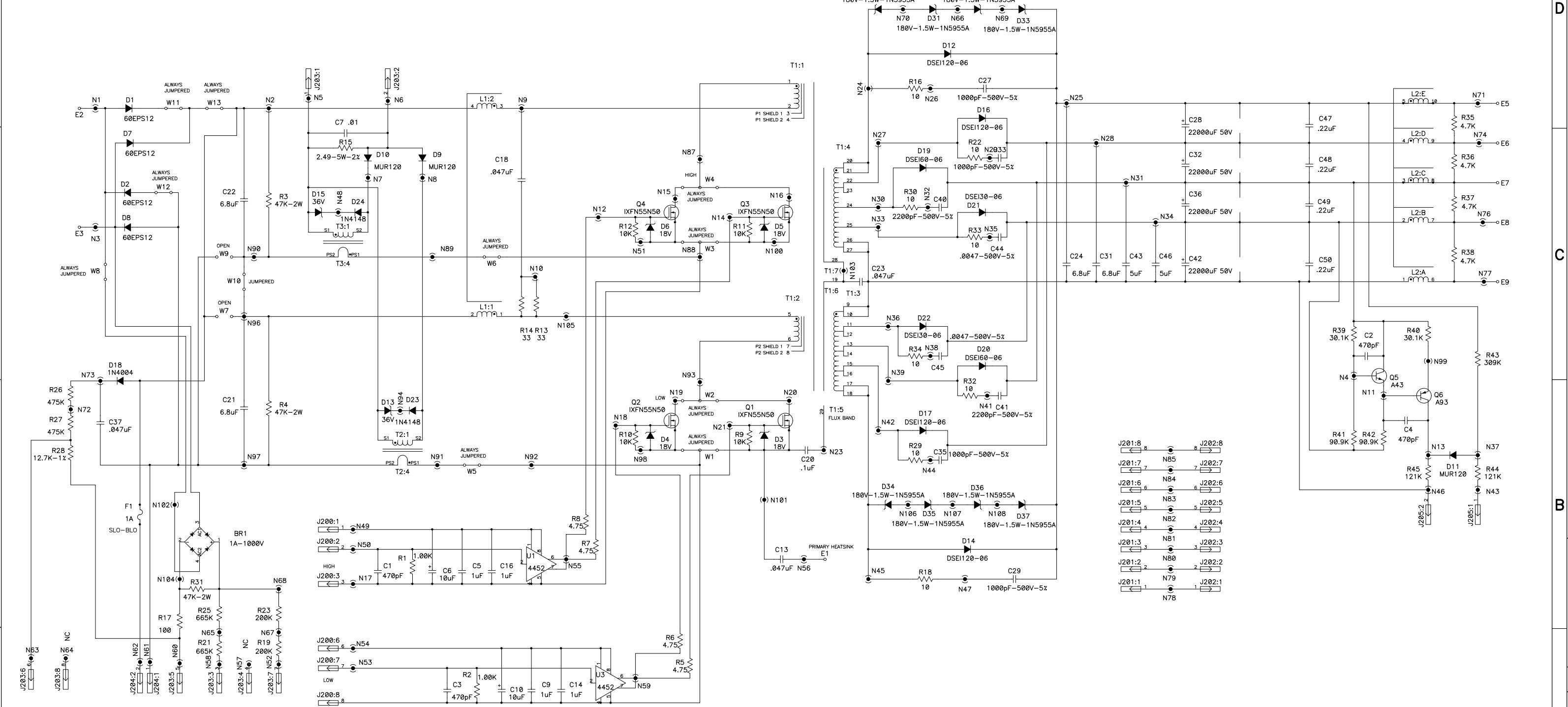


TO INPUT PCB  
SH-000175-00

WP-000178-00	PL 9.0
NEXT ASSY	USED ON
APPLICATION	

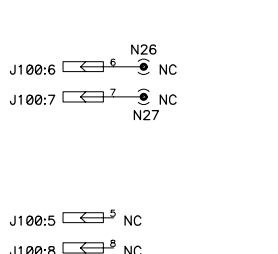
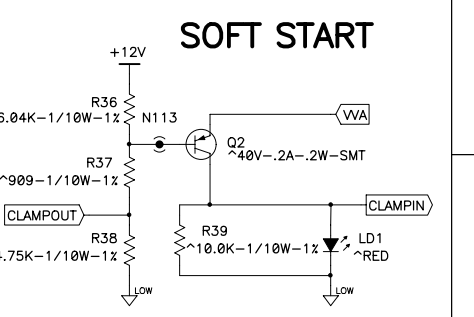
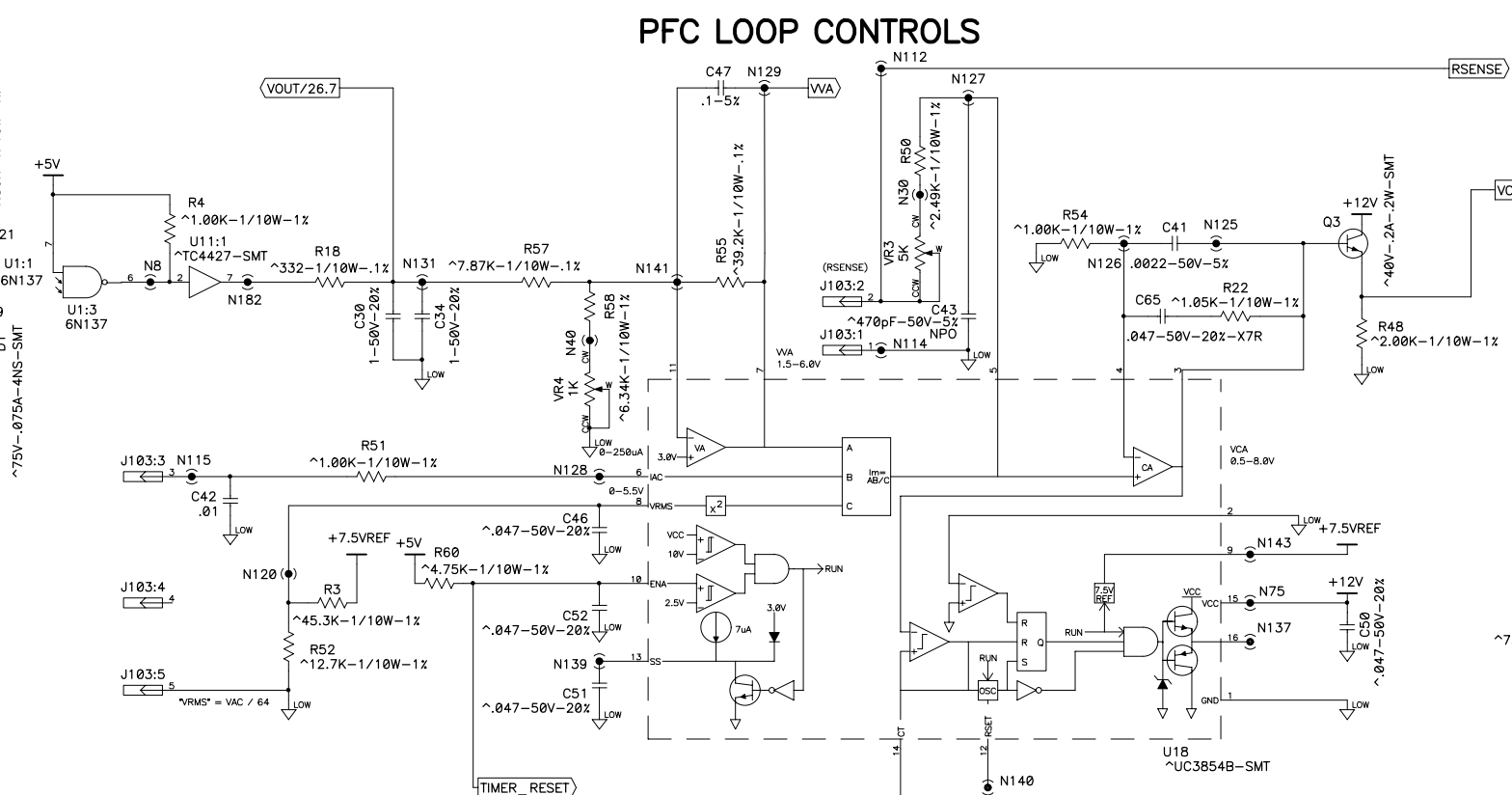
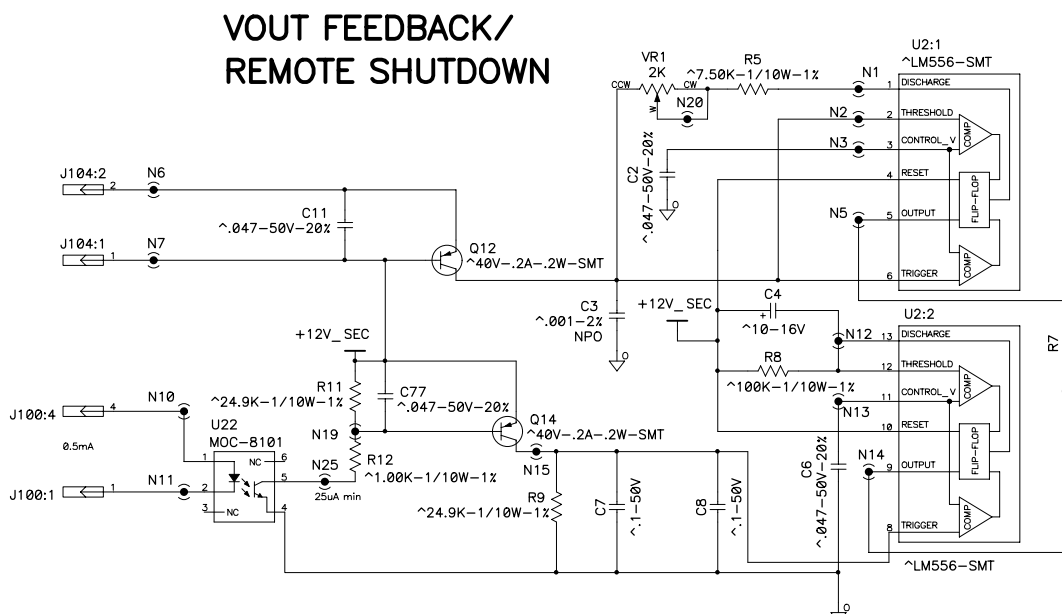
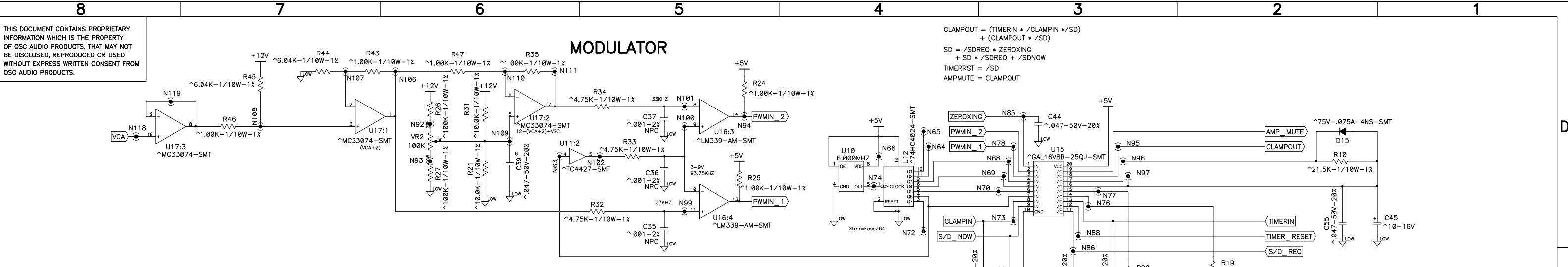
QTY	ITEM NO.	PART NO.	DESCRIPTION	VENDOR
<b>PARTS LIST</b>				
UNLESS OTHERWISE SPECIFIED DIMENSIONS ARE IN INCHES. DIMENSIONS PER ANSI Y14.5-1982 TOLERANCES ARE: DECIMALS    DECIMALS    ANGLES .XX ±        .XXX ±        0 DEBURR EDGES .XXX R MAX MATERIAL			CONTRACT NO.	
FINISH			<b>AUDIO PRODUCTS, INC.</b> COSTA MESA, CALIFORNIA	
APPROVALS			DATE	
DRAWN			A. CERRILLO    3-18-96	
CHECKED				
ISSUED				
CAD SEED FILE NO.			DWG NO.	
SH0178-1.SCH			<b>SH-000178-00</b>	
SCALE			CAD FILE NO. sh178-a3.sch	
DO NOT SCALE DRAWING			SHEET 1 OF 1	

THIS DOCUMENT CONTAINS PROPRIETARY INFORMATION WHICH IS THE PROPERTY OF QSC AUDIO PRODUCTS. THAT MAY NOT BE DISCLOSED, REPRODUCED OR USED WITHOUT EXPRESS WRITTEN CONSENT FROM QSC AUDIO PRODUCTS.

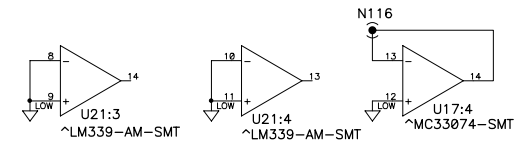


2 SH-000262-00 (DWG NO.)

THIS DOCUMENT CONTAINS PROPRIETARY INFORMATION WHICH IS THE PROPERTY OF QSC AUDIO PRODUCTS, THAT MAY NOT BE DISCLOSED, REPRODUCED OR USED WITHOUT EXPRESS WRITTEN CONSENT FROM QSC AUDIO PRODUCTS.



2. SYMBOL "\*" BEFORE A COMPONENT VALUE DENOTES THAT COMPONENT IS SURFACE MOUNT.  
 1. THIS DRAWING USED IN CONJUNCTION WITH ASSEMBLY WP-000263-00 AND FABRICATION DRAWING PC-000174-00.  
 NOTES: UNLESS OTHERWISE SPECIFIED



QTY	ITEM NO.	PART NO.	DESCRIPTION	VENDOR
<b>PARTS LIST</b>				
UNLESS OTHERWISE SPECIFIED DIMENSIONS ARE IN INCHES. DIMENSIONS PER ANSI Y14.5-1982 TOLERANCES ARE: DECIMALS DECIMALS ANGLES .XX ± .XXX ± °			CONTRACT NO.	
DRAWN R. BALTHAZAR CHECKED W. RULAND			DATE 1/25/99	
ISSUED TIM SHOOK			DATE 6-9-99	
CAD SEED FILE NO.			PLOT DATE: Thu May 04, 2000	
SCALE NONE			CAD FILE NO. SH0263-B.sch	
APPLICATION DO NOT SCALE DRAWING			SHEET 1 OF 2	

**QSC AUDIO PRODUCTS, INC.**  
 COSTA MESA, CALIFORNIA

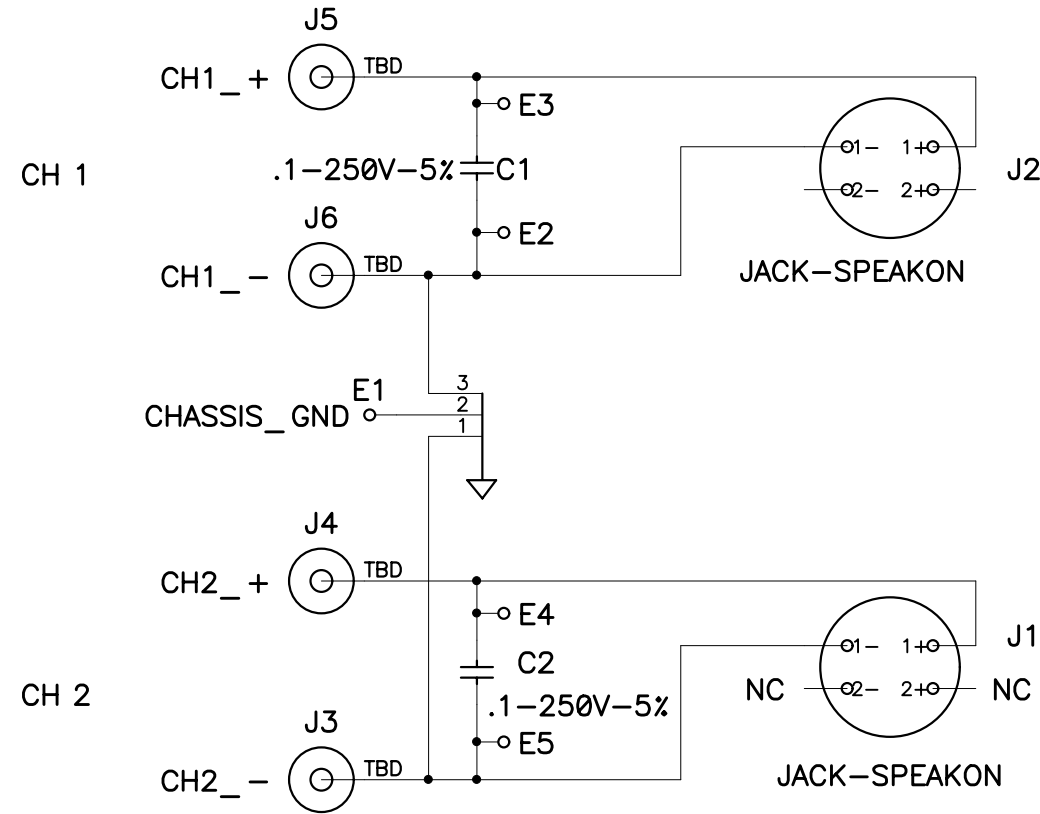
**SCHEMATIC DIAGRAM  
 PL6.0 PWR SUPPLY CONTROLLER**

DWG NO. SH-000263-00  
 REV

1 SH-000263-00 DWG NO.



THIS DOCUMENT CONTAINS PROPRIETARY INFORMATION WHICH IS THE PROPERTY OF QSC AUDIO PRODUCTS, THAT MAY NOT BE DISCLOSED, REPRODUCED OR USED WITHOUT EXPRESS WRITTEN CONSENT FROM QSC AUDIO PRODUCTS.



1. THIS DRAWING USED IN CONJUNCTION WITH ASSEMBLY WP-000179-00 AND FABRICATION DRAWING PC-000179-00.

NOTES: UNLESS OTHERWISE SPECIFIED

QTY	ITEM NO.	PART NO.	DESCRIPTION	VENDOR
<b>PARTS LIST</b>				
UNLESS OTHERWISE SPECIFIED DIMENSIONS ARE IN INCHES. DIMENSIONS PER ANSI Y14.5-1982 TOLERANCES ARE: DECIMALS    DECIMALS    ANGLES .XX ±        .XXX ±            0 DEBURR EDGES .XXX R MAX MATERIAL			CONTRACT NO.	
			APPROVALS	DATE
			DRAWN A. CERRILLO	6-11-97
			CHECKED	
			ISSUED	
			CAD SEED FILE NO.	PLOT DATE: Thu May 04, 2000
WP-000179-00		PL 9.0	<b>AUDIO PRODUCTS, INC.</b> COSTA MESA, CALIFORNIA  <b>SCHEMATIC DIAGRAM</b> <b>OUTPUT PCB</b>	
NEXT ASSY		USED ON		
APPLICATION		DO NOT SCALE DRAWING		SIZE: B FSCM NO.: DWG NO.: SH-000179-00 SCALE: NONE CAD FILE NO.: sh0179-A.sch SHEET: 1 OF 1