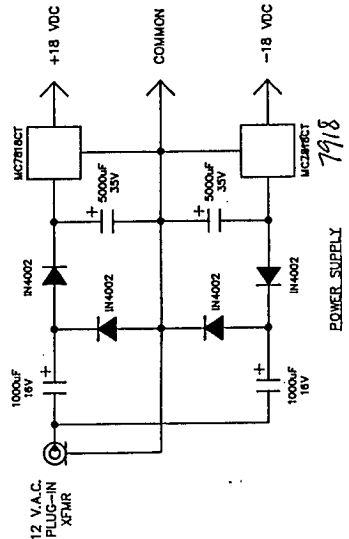
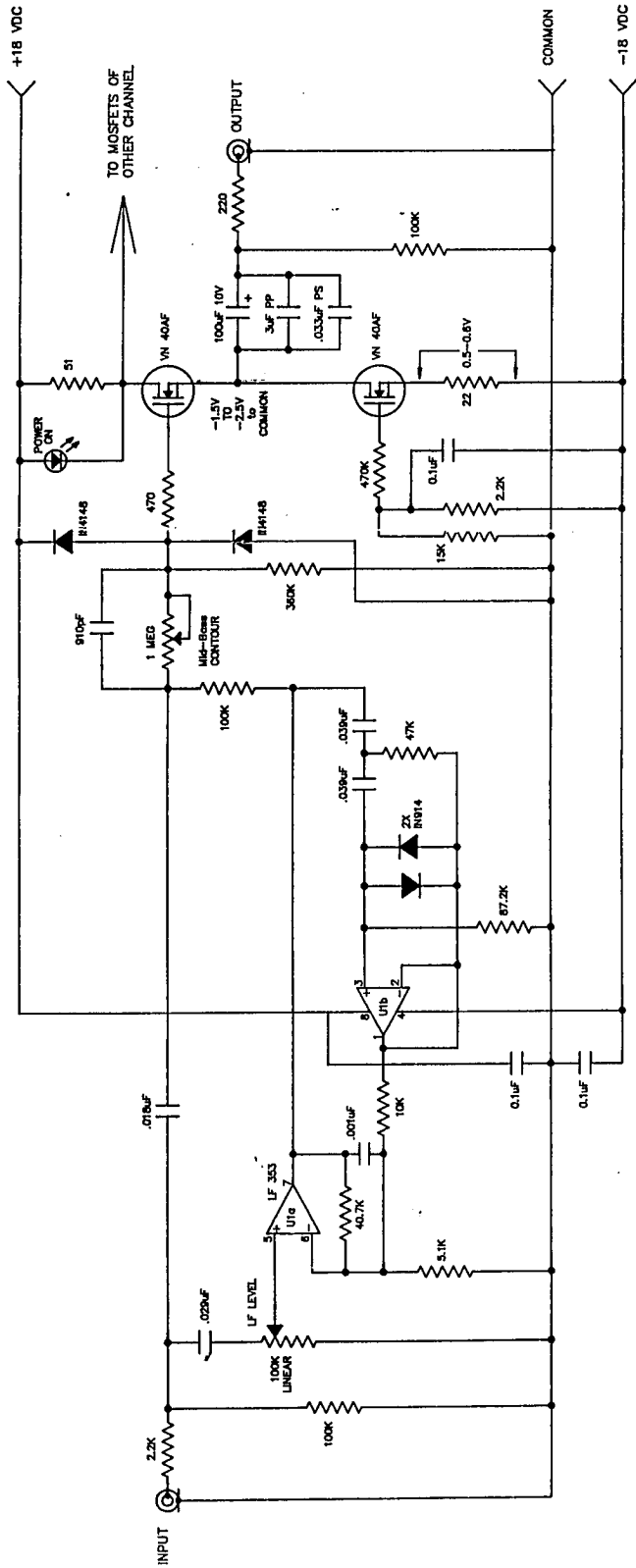


REV. 1 | DESCRIPTION | DATE | APPROVED



NOTES:
1. SCHEMATIC SHOWS ONE OF TWO CHANNELS (POWER SUPPLY EXCLUDED).

Infinity Systems Inc.
REFERENCE STANDARD 116
SCHEMATIC—L.F. EQUALIZER UNIT
P/N: B.Cooper
DWG. NO: IF940038B-00562-17B
DRAWN BY:
DATE: 08-27-86 (7/17/86) | SCALE: N/A
APPROVED:
MATERIAL: N/A
FINISH: N/A
REVISION :