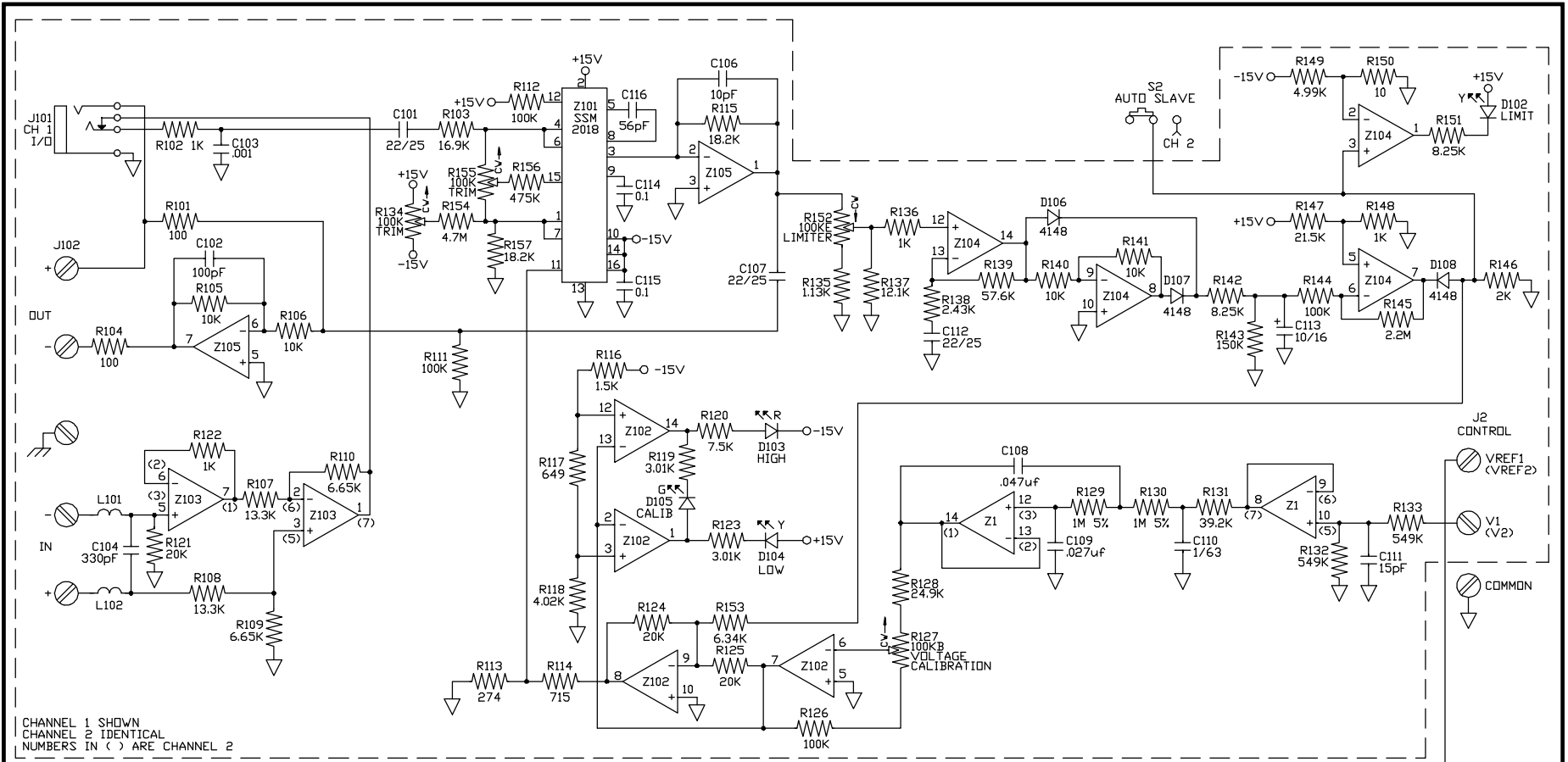


522-106:B FVL 22 ASSY ACTION: PART BLOCK CHANGED FOR C109,C209,C108 & C208. RJT 10JUL95



CHANNEL 1 SHOWN
CHANNEL 2 IDENTICAL
NUMBERS IN () ARE CHANNEL 2

NOTES (UNLESS OTHERWISE SPECIFIED)

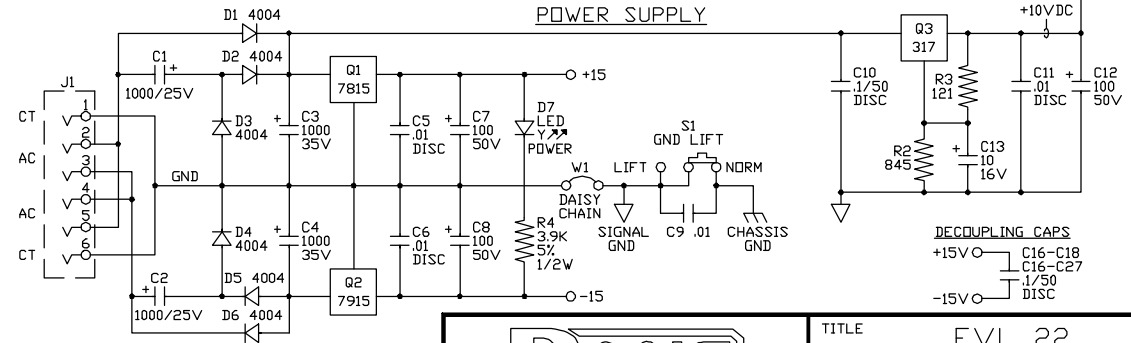
- ALL RES 1/4W; 1% METAL FILM; 5% CARBON FILM.
- POWER SUPPLY CONNECTIONS:

| | POS SUP | NEG SUP |
|------|---------|---------|
| SING | 7 | 4 |
| DUAL | 8 | 4 |
| QUAD | 4 | 11 |
- ALL SWs SHOWN IN THEIR 'OUT' OR 'OFF' POSITION
- IC'S: 5532 = Z105, Z205
TL074 = Z102, Z202, Z1
TL072 = Z103, Z203
4574 = Z104, Z204

5. COMPONENT DESIGNATION SCHEME:



EXAMPLE: R203 = RESISTOR, CHANNEL 2, NUMBER 3



C108 WAS 1/63, C109 WAS .1uF, R129 WAS 69.8K, R130 WAS 392K, R131 WAS 39.2K

| REVISIONS | REV. C | ACTION | DATE | APPROVED |
|----------------------|--------------|-------------|--------------|--------------|
| DRAWN S HEADRICK | DATE 17APR92 | CHECKED SPT | DATE 01SEP92 | SHEET 1 OF 1 |
| DO NOT SCALE DRAWING | | | | |

Corp. 10802 47th Avenue West, Mukilteo
WA 98275-5098 (206) 355-6000

| | |
|------------------------------|-----------|
| TITLE FVL 22 SCHEMATIC | |
| DRV. NO. 521-169 | REV. C |