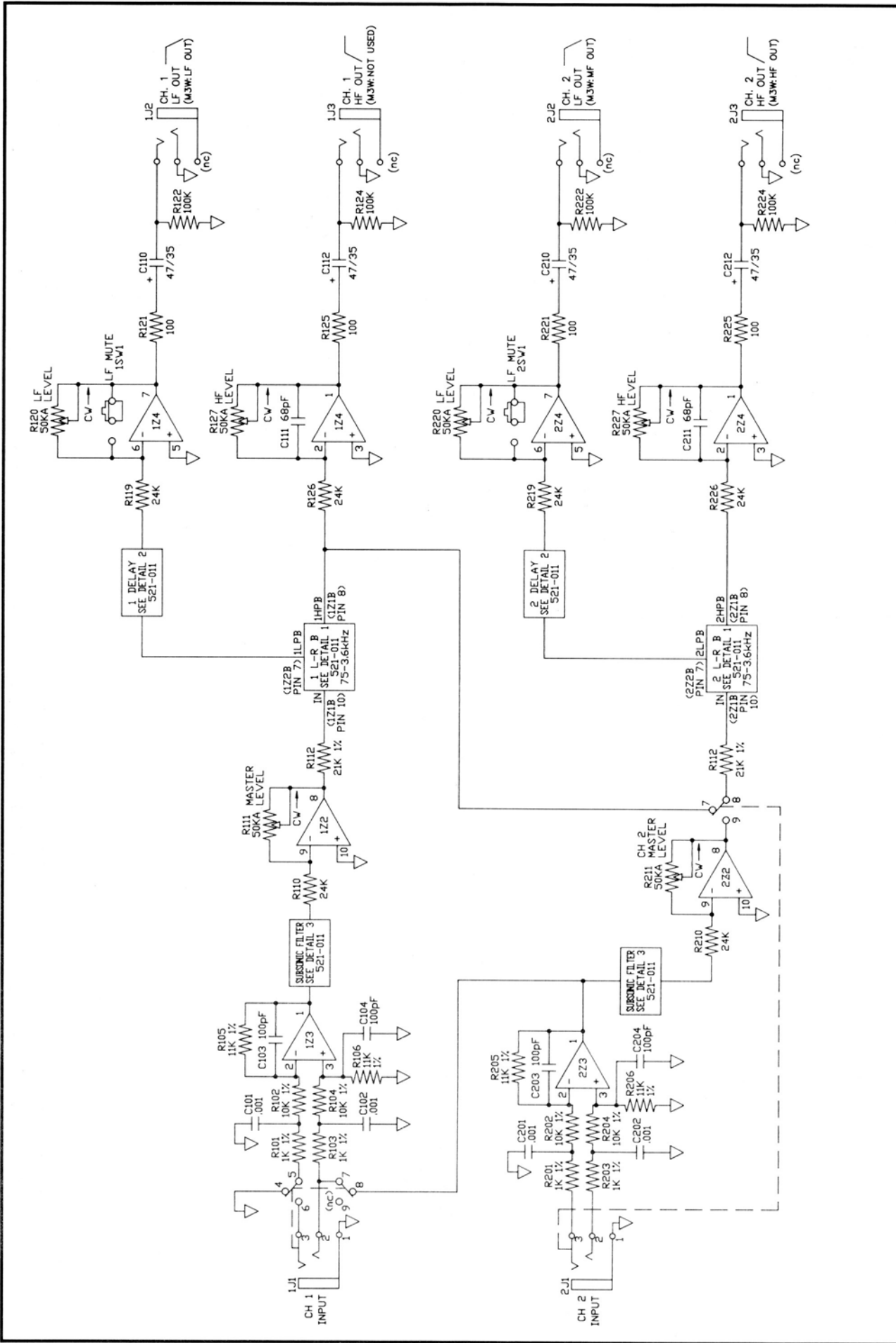


V. SCHEMATICS



SEE NOTES SHEET 2 (521-011)

RANE

Corp. 10802 47th Avenue West, Everett
VA 98204-3400 (206) 355-6000

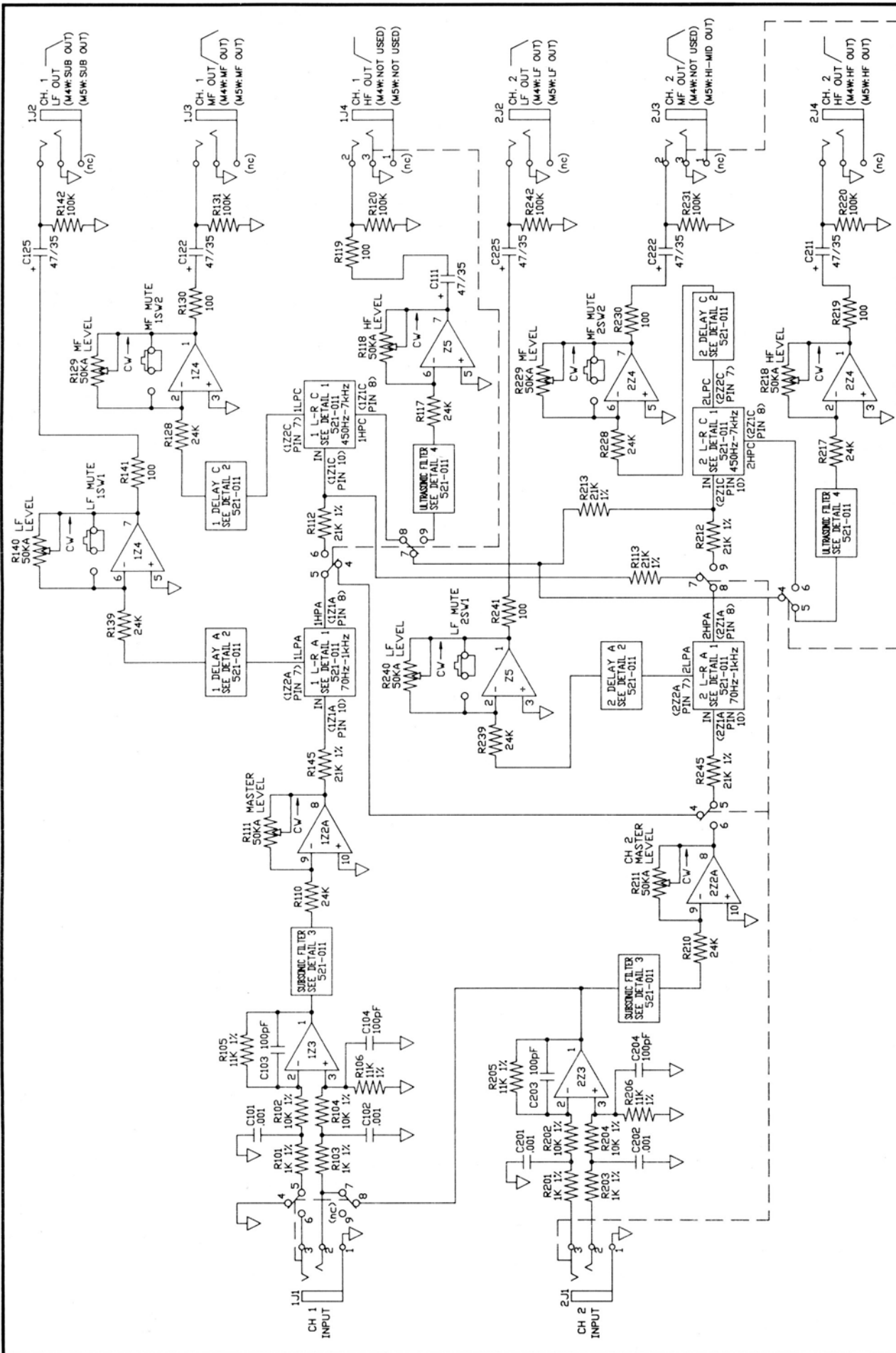
TITLE AC 22 SCHEMATIC

DRW. NO. 521-010

REV. E

REV.	ACTION	DATE	APPROVED	SHEET	OF
1				1	2

DO NOT SCALE DRAWING



RANE

Corp. 10802 47th Avenue Vest, Everett
WA 98204-3400 (206) 355-6000

TITLE AC 23 SCHEMATIC

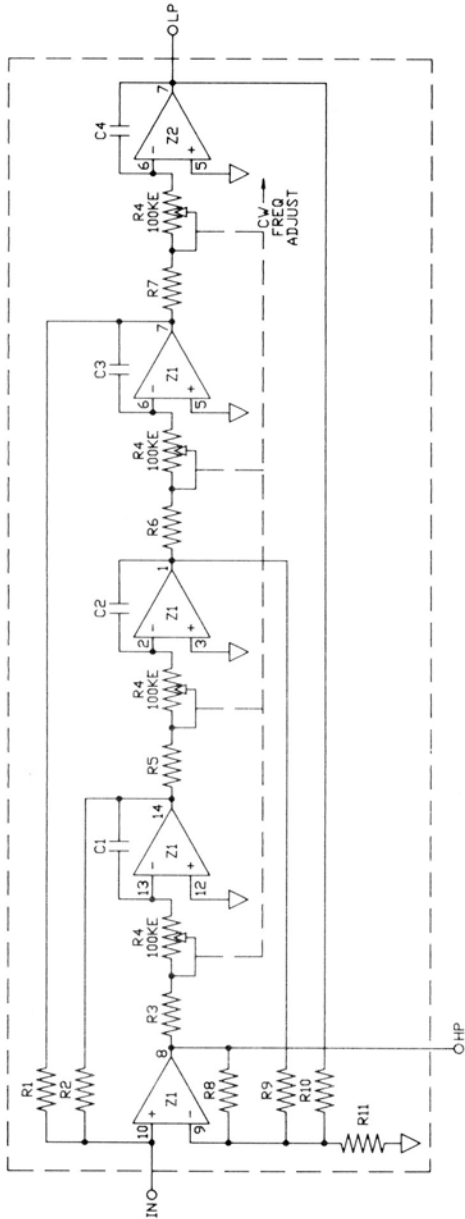
DRV. NO. 521-009

REV. E

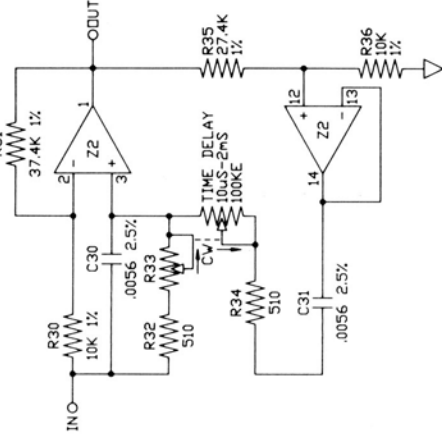
REV.	ACTION	DATE	APPROVED
1	DF	2	DO NOT SCALE DRAWING

DRAWN S. TURNIDGE DATE 14APR88 CHECKED A. CLAXTON DATE 21APR88 SHEET 1 OF 2

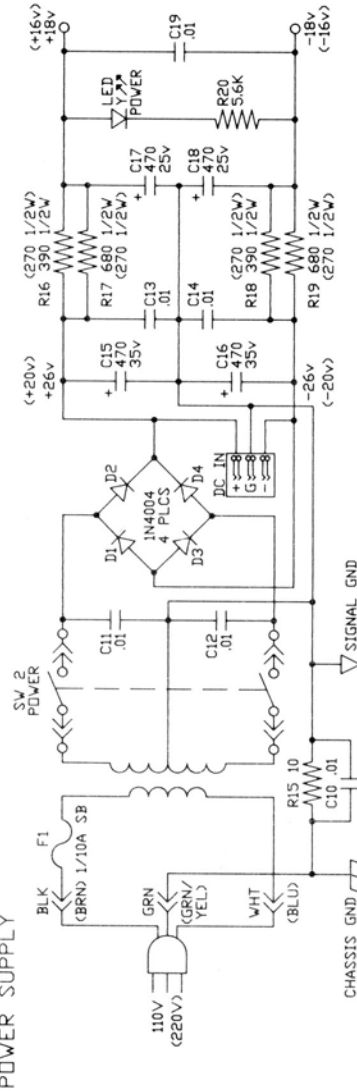
DETAIL 1: TYPICAL LINKWITZ-RILEY CROSSOVER CIRCUIT



DETAIL 2: TYPICAL DELAY



POWER SUPPLY



AC22 SHOWN, AC23 SAME EXCEPT WHERE NOTED BY PARENTHESIS.

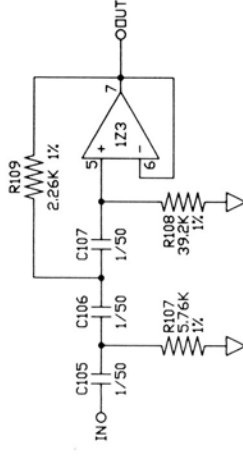
NOTES (UNLESS OTHERWISE NOTED)

1. ALL RES 1/4W, 1% METAL FILM 5% CARBON FILM.
2. ALL CAPS IN µF/100
3. POWER SUPPLY CONNECTIONS:
SING 7 NEG SUP 4
DUAL 8 4
QUAD 4 11
4. ALL SW'S SHOWN IN THEIR 'OUT' OR 'OFF' POSITION
5. IC TYPES: Z3, Z4, Z5 = 4072
Z1, Z2 = 4156

COMPONENT DESIGNATION PROTOCOL

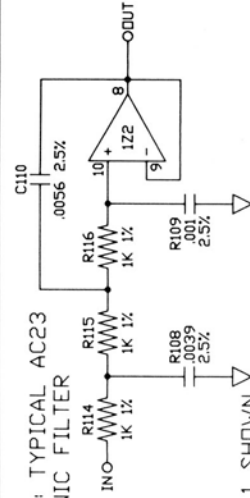
- COMMON PARTS NUMBERED 1-99
 CH1 PARTS- EITHER PREFIX '1' OR 100-199
 CH2 PARTS- EITHER PREFIX '2' OR 200-299
 ALL VALUES SUFFIXED 'A' REFER TO FREQ RANGE 70Hz-1kHz
 ALL VALUES SUFFIXED 'B' REFER TO FREQ RANGE 75Hz-3.6kHz
 ALL VALUES SUFFIXED 'C' REFER TO FREQ RANGE 450Hz-7kHz
 EXAMPLE: '1R1A' -CHANNEL 1
 -FREQ RANGE 70Hz-1kHz

DETAIL 3: TYPICAL SUBSONIC FILTER



CHANNEL 1 SHOWN

DETAIL 4: TYPICAL AC23 ULTRASONIC FILTER



CHANNEL 1 SHOWN



Corp. 10802 47th Avenue Vest, Everett
 WA 98204-3400 (206) 355-6000

TITLE POWER SUPPLY AND DETAILS
 AC22 & AC23

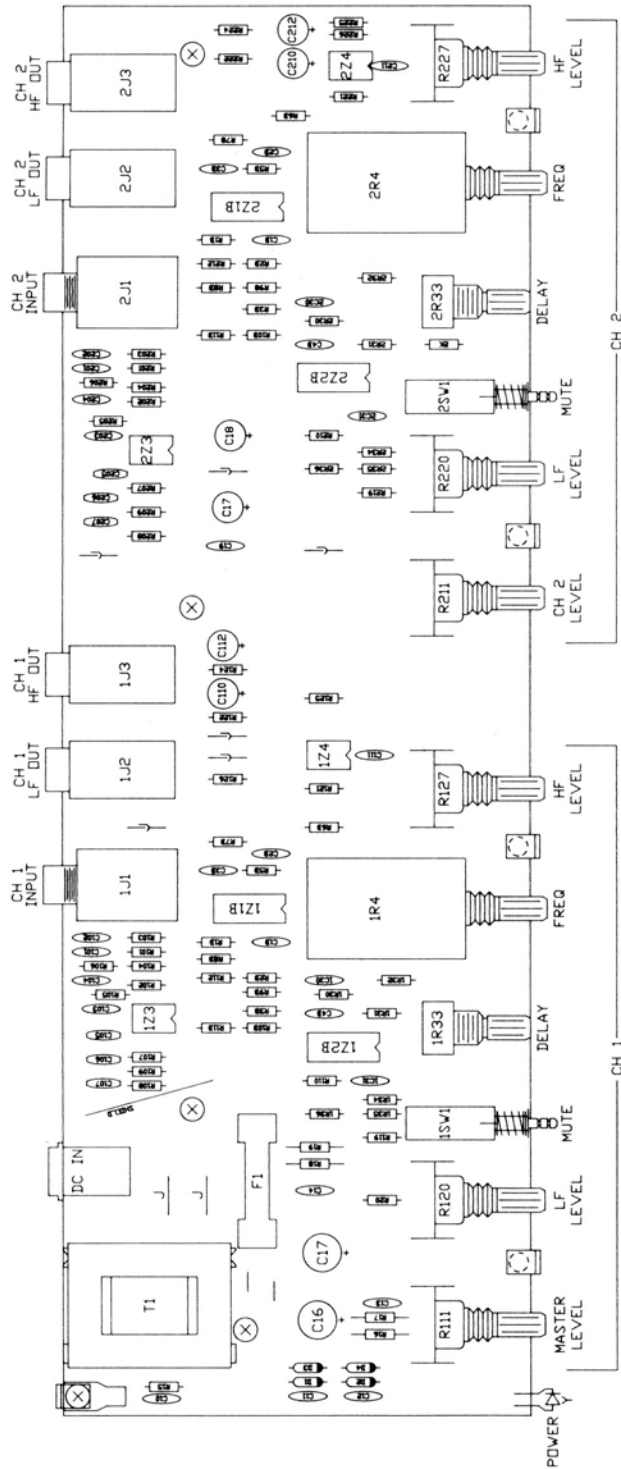
DRV. NO.

521-011

REV. G

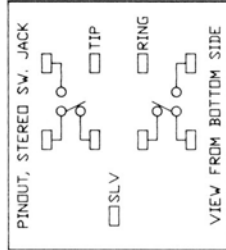
REVISIONS	REV.	ACTION	DATE	APPROVED
DRAWN S. TURNIDGE	DATE 21APR88	CHECKED A. CLAXTON	DATE 21APR88	SHEET 2 OF 2

DO NOT SCALE DRAWING



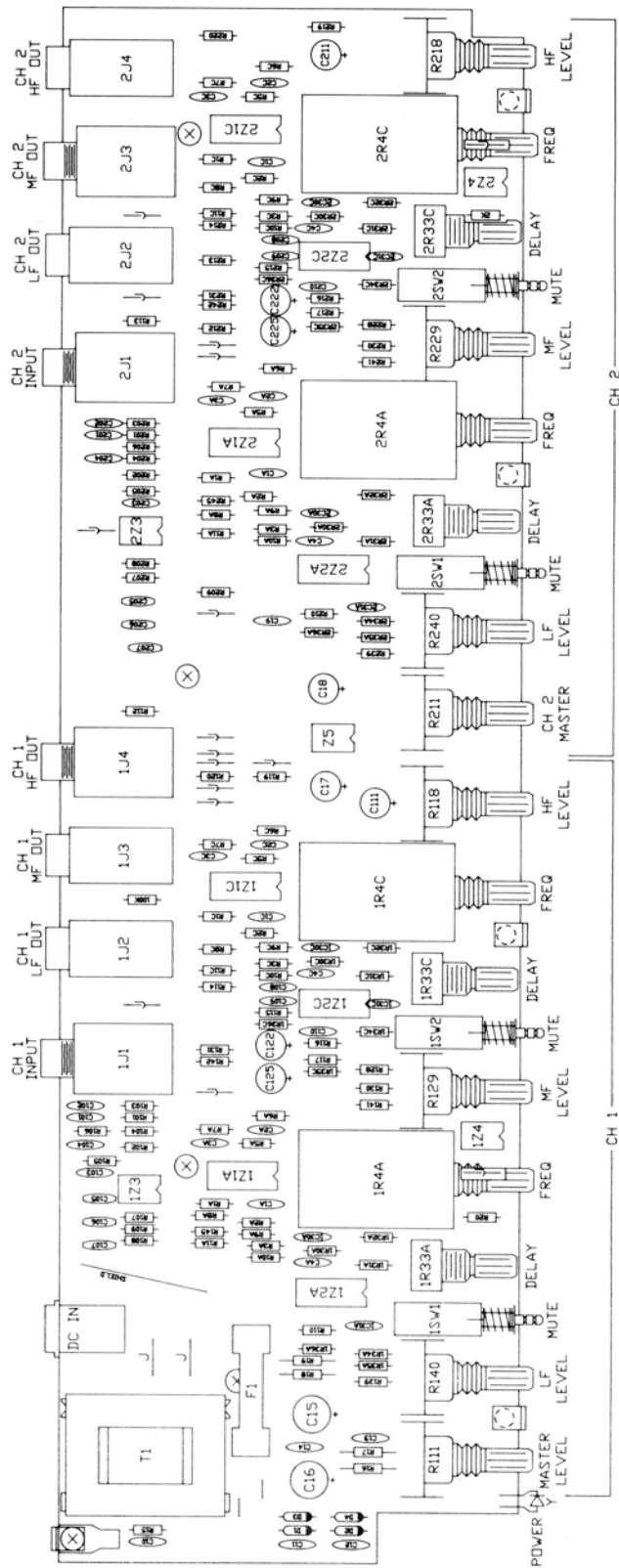
NOTES—UNLESS OTHERWISE SPECIFIED

- PINOUT OF 1J1, 2J1 IS:
 - 5 6
 - 4 2
 - 1 3
 - 8 9
 (BOTTOM VIEW)



	TITLE	AC 22 ASSY
	DRW. NO.	522-011
Corp. 10802 47th Avenue West, Everett WA 98204-3400 (206) 355-6000		REV. E

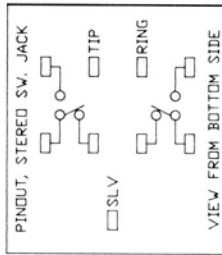
REVISIONS	REV. E	ACTION REMOVED Q1, Q2, Q3, Q101, Q102, Q201, Q202, R21, R22, R23, C20	DATE 29MAR88	APPROVED AVC
DRAWN S. TURNIDGE	DATE 24APR87	CHECKED A. CLAXTON	DATE 27APR87	SHEET 1 OF 1
DO NOT SCALE DRAWING				



NOTES—UNLESS OTHERWISE SPECIFIED

1. PINOUT OF 1J1, 1J4, 2J1, 2J3 IS:
 - 5
 - 6
 - 4
 - 2
 - 1
 - 7
 - 3
 - 8
 - 9

(BOTTOM VIEW)



REV. E	ACTION REMOVED Q1, Q2, Q3, Q101, Q102, Q103, Q201, Q202, Q203, R21, R22, R23, C20	DATE 05APR88	APPROVED AVC
DRAWN S. TURNIDGE	DATE 22APR87	CHECKED A. CLAXTON	DATE 22APR87
SHEET 1		OF 1	DO NOT SCALE DRAWING



TITLE
AC 23
ASSY

DRW. NO.
522-012
REV.
E

Corp. 10802 47th Avenue West, Everett
WA 98204-3400 (206) 355-6000