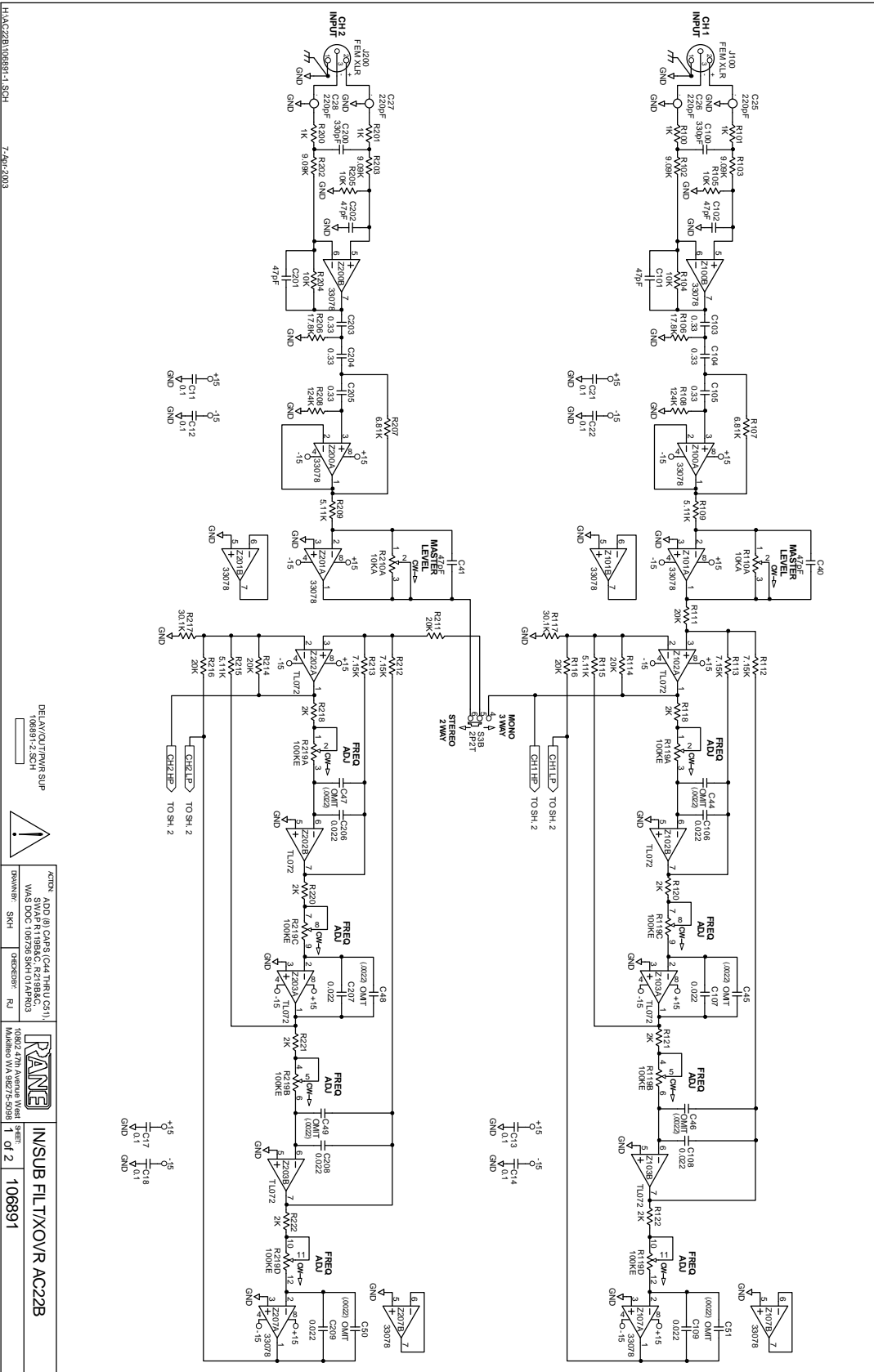


Rane Corp. (425)355-6000
 106893 DES AC22B
 ACTION: ADDED C44 THRU C55 CAPS,
 MOVED SOME PARTS, WAS DOC 106169 SKH 01APR03



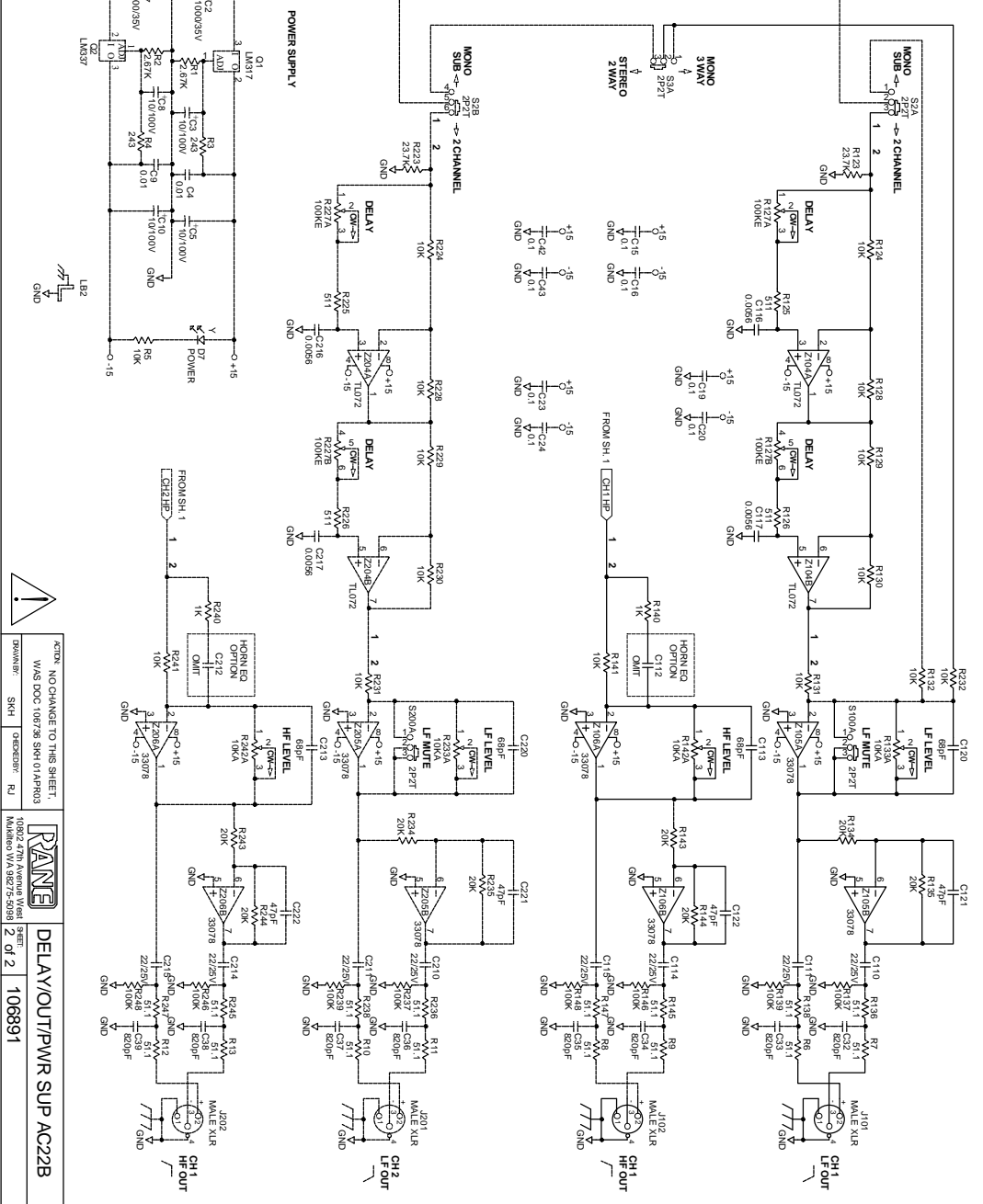
7-AUG-2003

DELAVO/TPWR SUP
106891-2-SCH

ACTON ADJ 81 CAS (C4 TRH) (C5)
SHEET 1 OF 2
WAS DDC 106728 SH4 01A PR03



INSUB FIL TXOVR AC22B
10802 27th Avenue West
Mankato, MN 56001-3881
SHEET 1 OF 2 106891



NOTE: NO CHANGE TO THIS SHEET.
 WAS DOC 106798 SH4 01 APR 03
 DRAWN BY: SMH CHECKED BY: RU

RYANE DELAY/OUT/POWER SUP AC22B
 10802 47th Avenue West
 Mukwonago, WI 53075-5899
 SHEET 2 of 2 106891