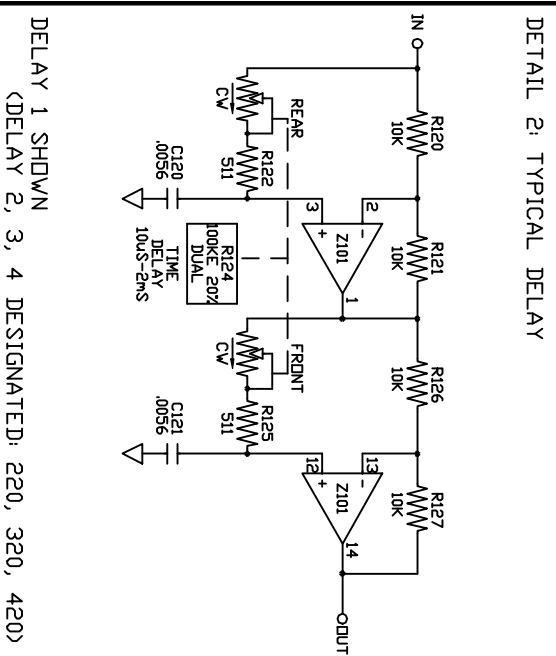
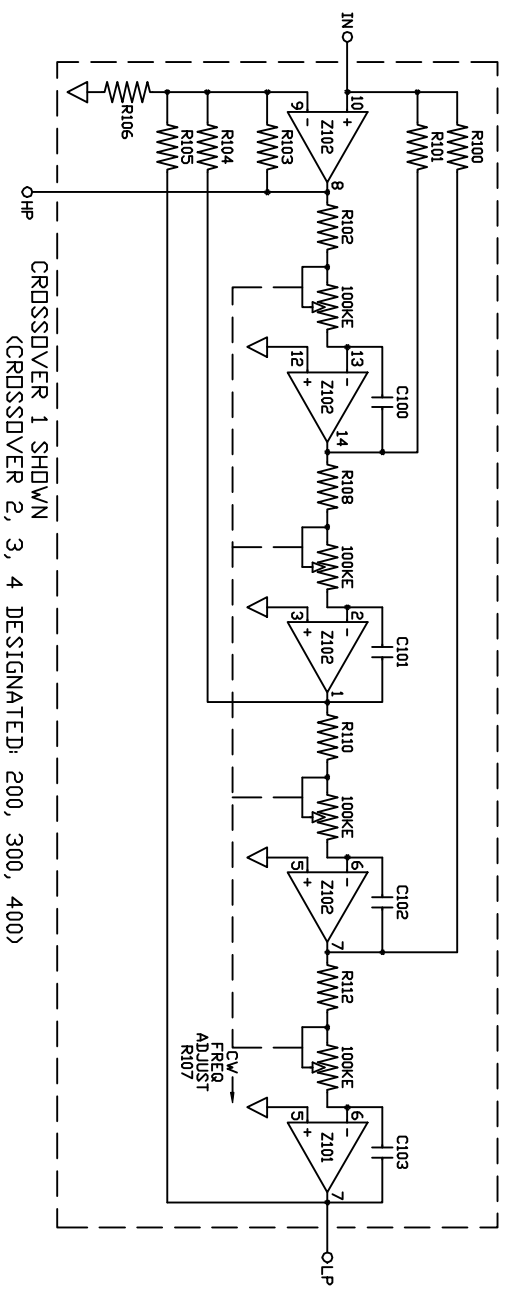


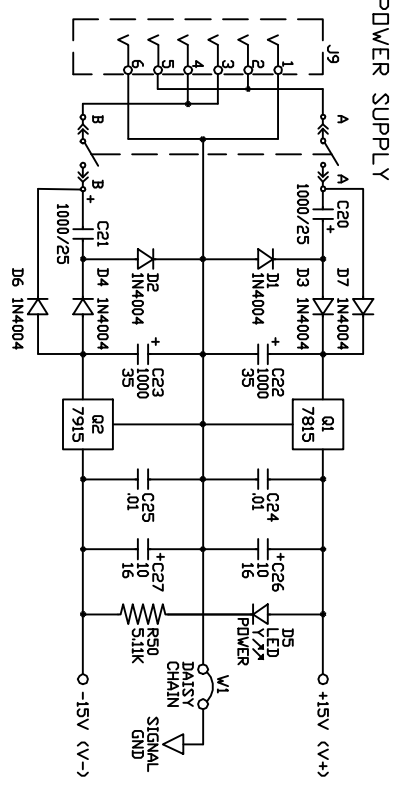
SEE NOTES SHEET 2

ACTION: V22 PIN 1 WAS 2, PIN 2 WAS 1, NEW DOC #	REVISED: FJ	DATE: 29 JUL 98
DRAWN: SPT	CHECKED: AC	DATE: 21 APR 88
DATE: 14 APR 88	SHEET: 1 OF 2	DD NOT SCALE DRAWING
Corp. 10802 47th Avenue West, Mukilteo WA 98275-5098 (425) 355-6000		
DDC. NO.	TITLE:	
102177	SCHEM AC 23	

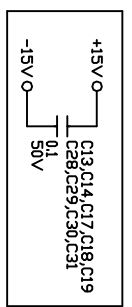
DETAIL 1: TYPICAL LINKWITZ-RILEY CROSSOVER CIRCUIT



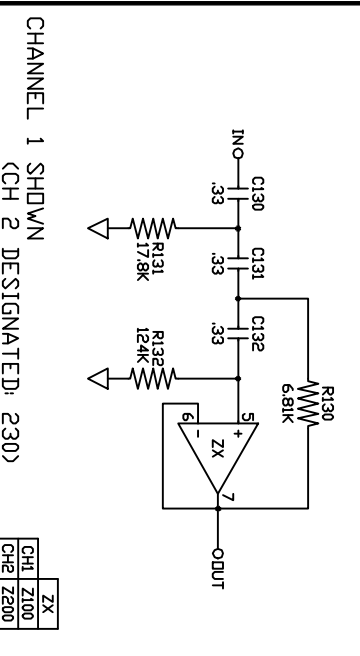
POWER SUPPLY



DECOUPLING CAPS

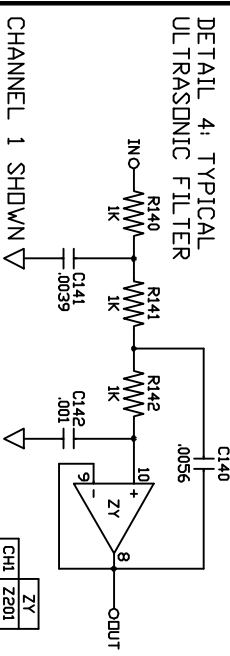


DETAIL 3: TYPICAL SUBSONIC FILTER



NOTES (UNLESS OTHERWISE NOTED)

1. ALL RES 1/4W, 1%, METAL FILM.
2. POWER SUPPLY CONNECTIONS:
SING POS SUP 7
DUAL 8
QUAD 4
3. ALL SWS SHOWN IN THEIR 'OUT' OR 'OFF' POSITION
4. IC TYPES: Z1, Z2, Z3, Z100 & Z300 = TL072
Z101, Z102, Z201, Z202, Z301, Z302, Z401, Z402 = 2059



ACTION: NO CHANGE TO PART, NEW DDC #		REVISED: FJ	APPROVED:	DATE: 29 JUL 98				
DRAWN: SKH	DATE: 4 APR 92	CHECKED: SPT	DATE: 10 APR 92	SHEET: 2 OF 2				
DD NOT SCALE DRAWING		TITLE: SCHEM AC 23						
DDC. NO. 102177								
Corp. 10802 47th Avenue West, Mukilteo WA 98275-5098 (425) 355-6000		<table border="1"> <tr> <td>CH1</td> <td>Z201</td> </tr> <tr> <td>CH2</td> <td>Z200</td> </tr> </table>			CH1	Z201	CH2	Z200
CH1	Z201							
CH2	Z200							