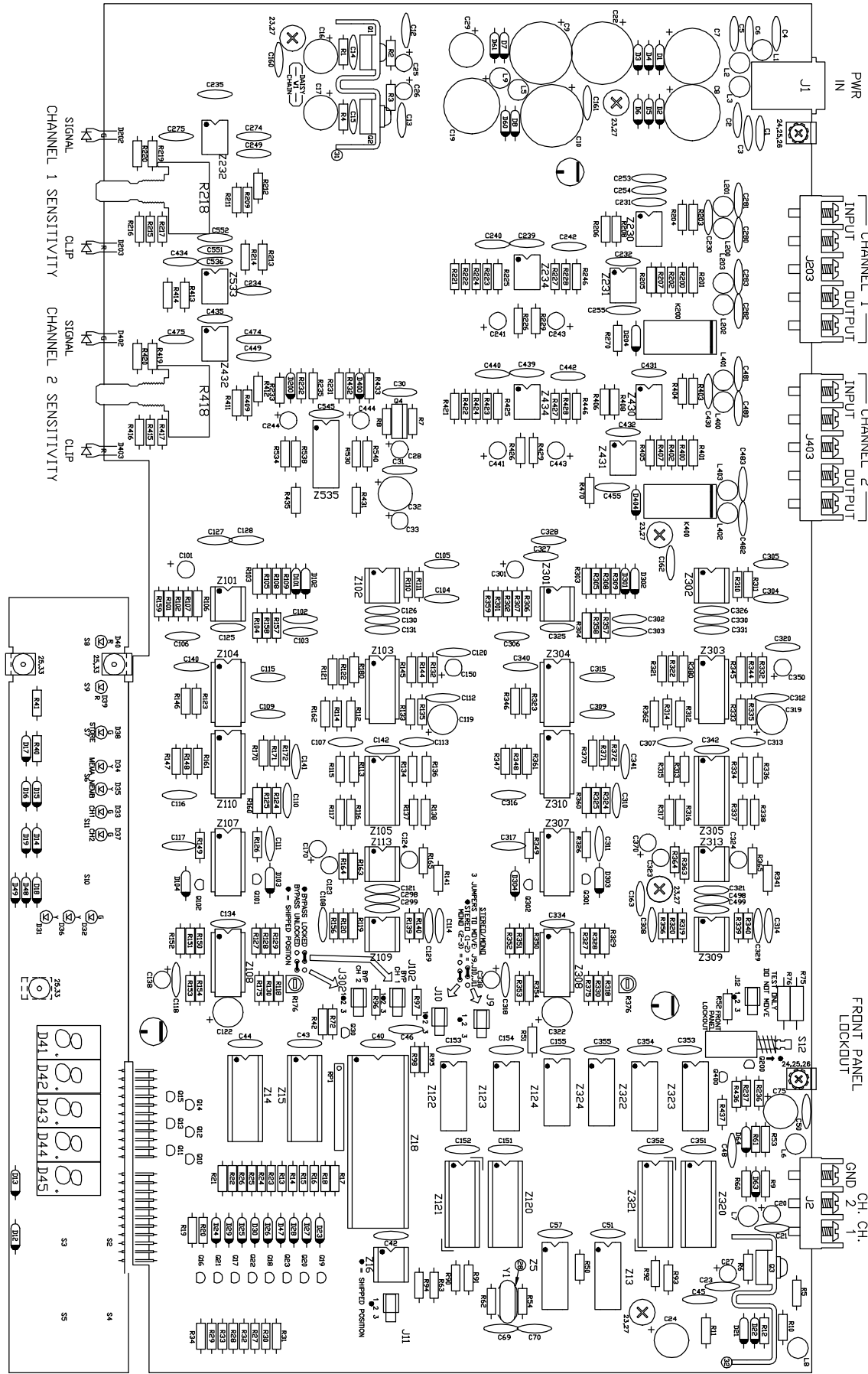
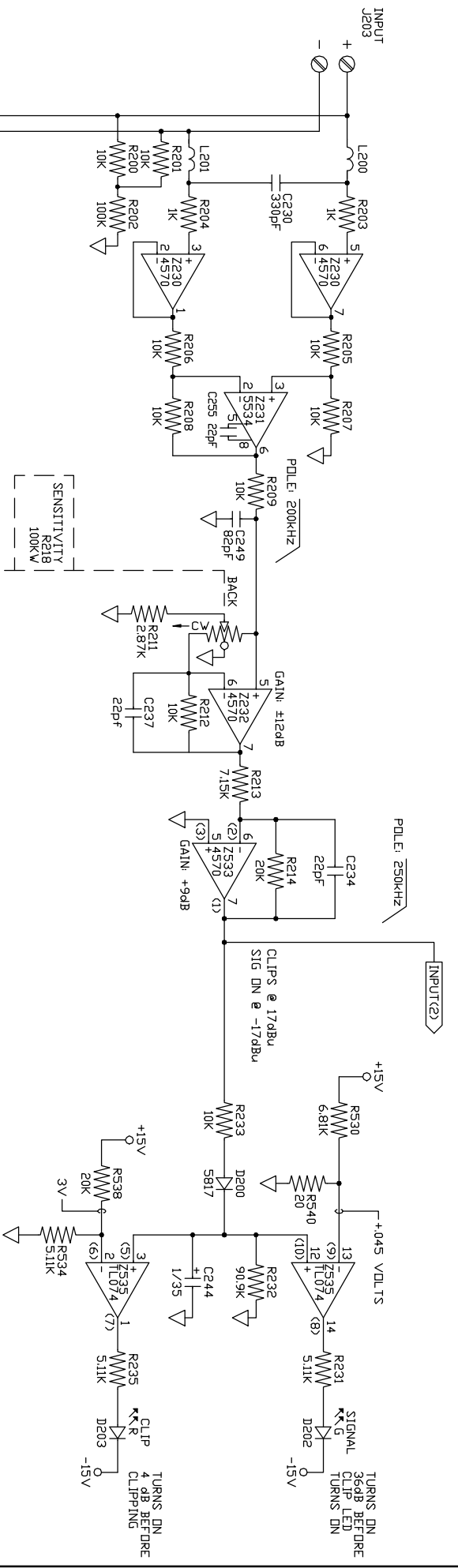
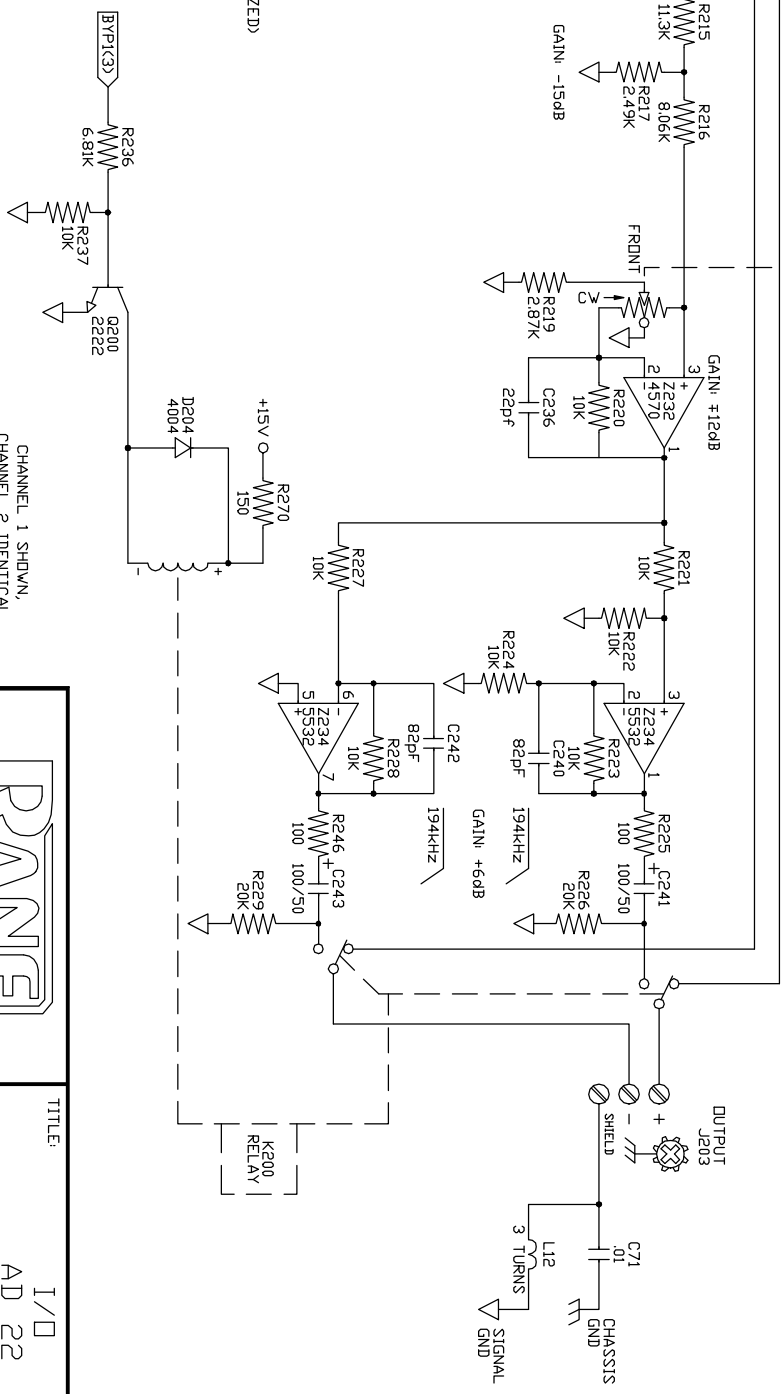


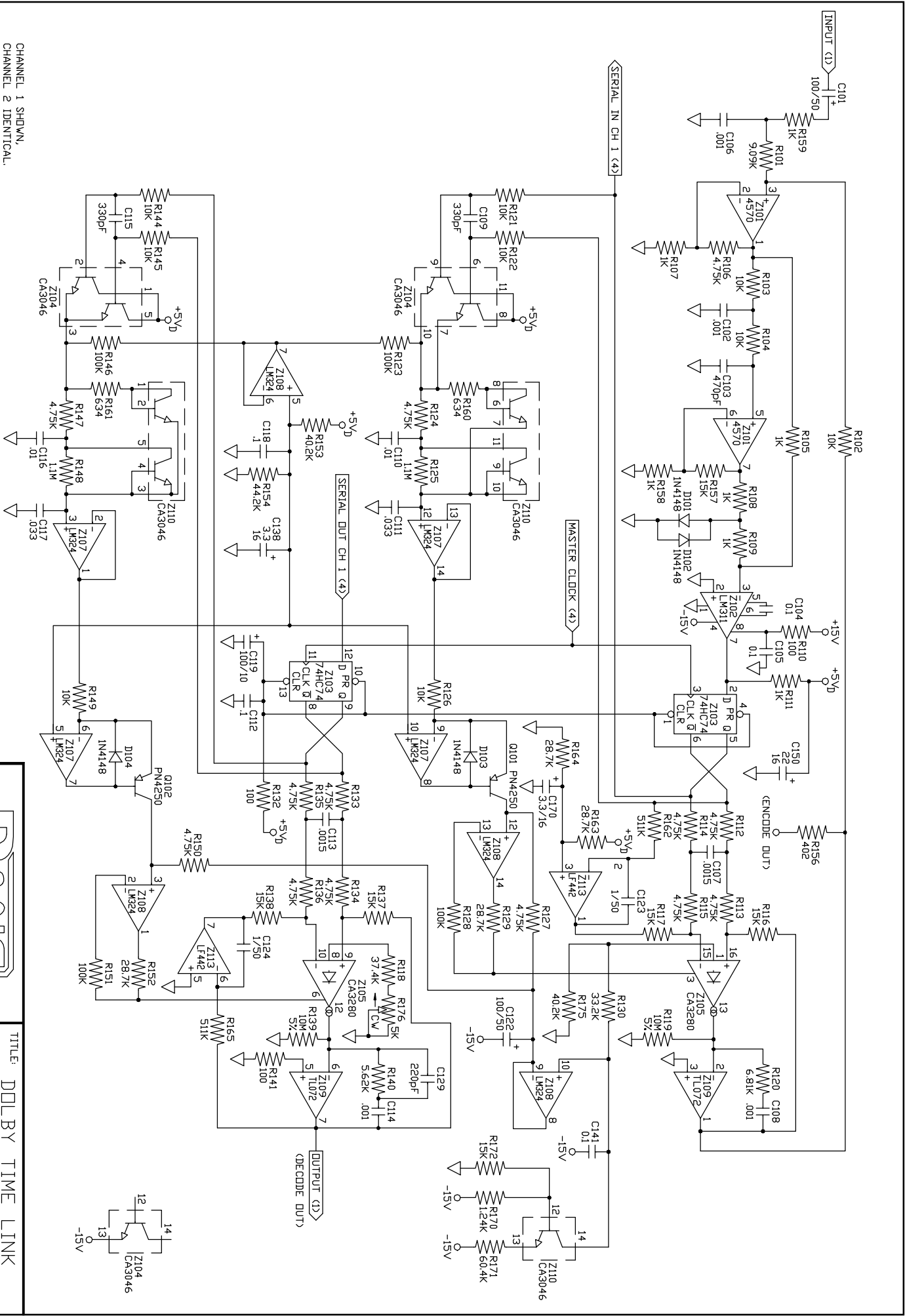
*** STATIC SENSITIVE BOARD ***
 *** YOU MUST BE GROUNDED! ***



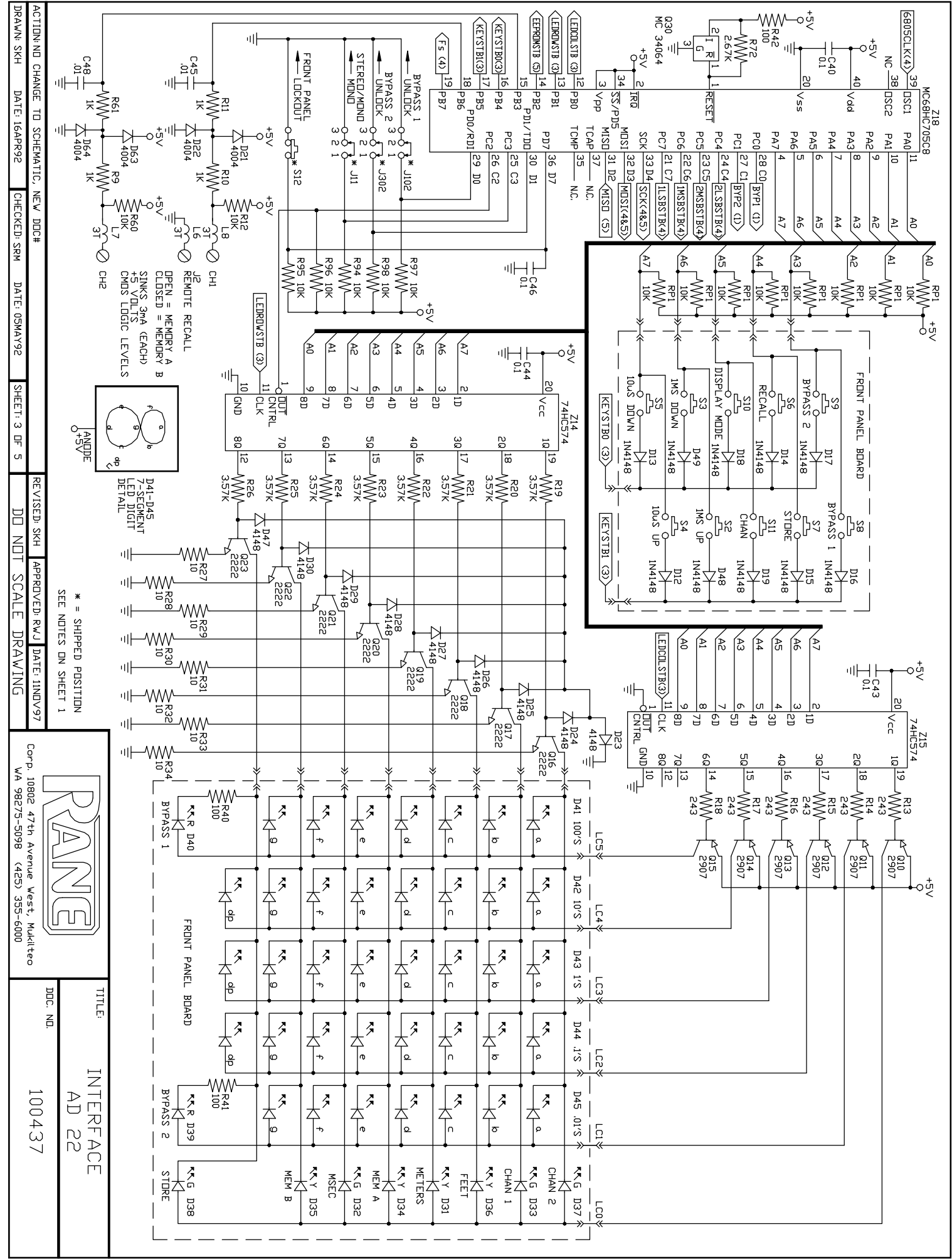


- NOTES** (UNLESS OTHERWISE SPECIFIED)
1. ALL RESISTORS ARE 1/4 W 1% METAL FILM, ALL 5% RESISTORS ARE 1/4 W CARBON FILM.
 2. PWR SUPPLY CONNECTIONS: V+ V- SINGLES 7 4 DUALS 8 4 QUADS 4 11
 3. ALL SV/S SHOWN IN THEIR 'OUT' OR 'OFF' POSITION. (RELAY SHOWN DE-ENERGIZED)
 4. ALL VOLTAGES SHOWN DC.
 5. NET LABEL (SHEET NUMBER)
 6. CHANNEL 1 DESIGNATION 100-299, CHANNEL 2 DESIGNATION 300-499 AND (), DESIGNATION 0-99 & 500+ ARE COMMON.





CHANNEL 1 SHOWN,
CHANNEL 2 IDENTICAL,
SEE NOTES ON SHEET 1



ACTION: NND CHANGE TO SCHEMATIC, NEW DDC#

DRAWN: SKH DATE: 16APR92 CHECKED: SRM DATE: 05MAY92 SHEET: 3 OF 5

REVISED: SKH APPROVED: RWJ DATE: 1JNDV97

DO NOT SCALE DRAWING

SEE NOTES ON SHEET 1

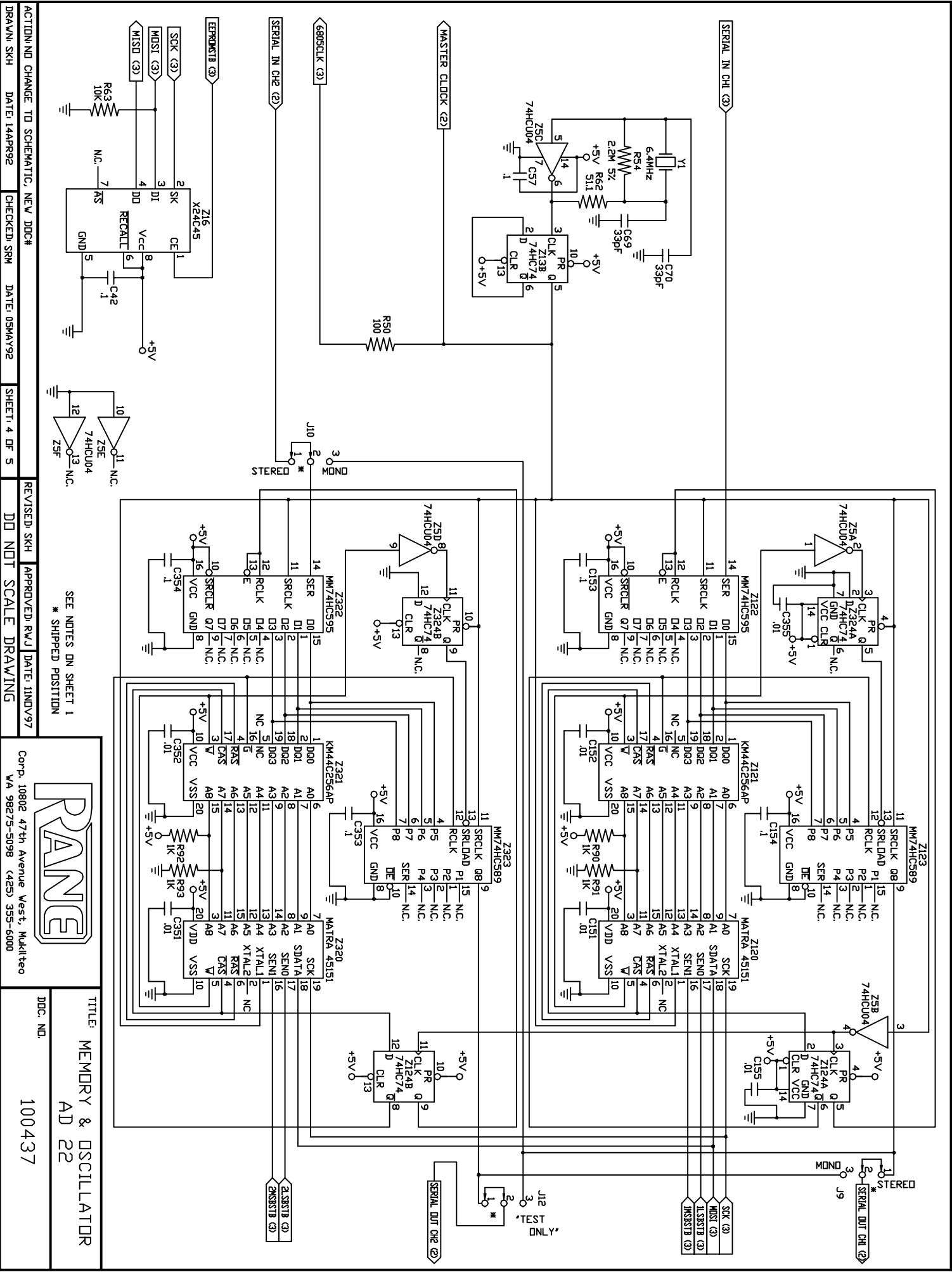
* = SHIPPED POSITION

DATE: 10B02 47th Avenue West, Mukilteo
WA 98275-5098 (425) 355-6000

DDC. NO. 100437



TITLE: INTERFACE AD 22



ACTION: NO CHANGE TO SCHEMATIC, NEW DDC#
 DRAWN: SKH DATE: 14APR92 CHECKED: SRM DATE: 05MAY92 SHEET: 4 OF 5 REVISED: SKH APPROVED: RVJ DATE: 1JNDV97
 DD NOT SCALE DRAWING
 SEE NOTES ON SHEET 1
 * SHIPPED POSITION
 TITLE: MEMORY & OSCILLATOR
 DDC. NO.: 100437
 Corp. 10802 47th Avenue West, Mukilteo
 WA 98275-5098 (425) 355-6000

