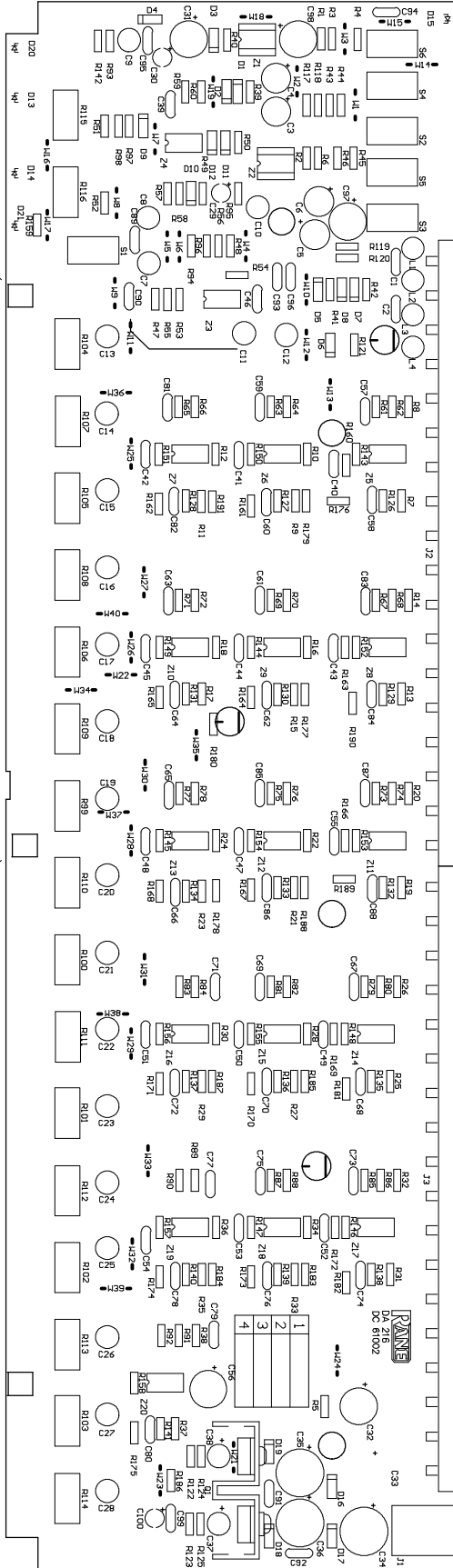
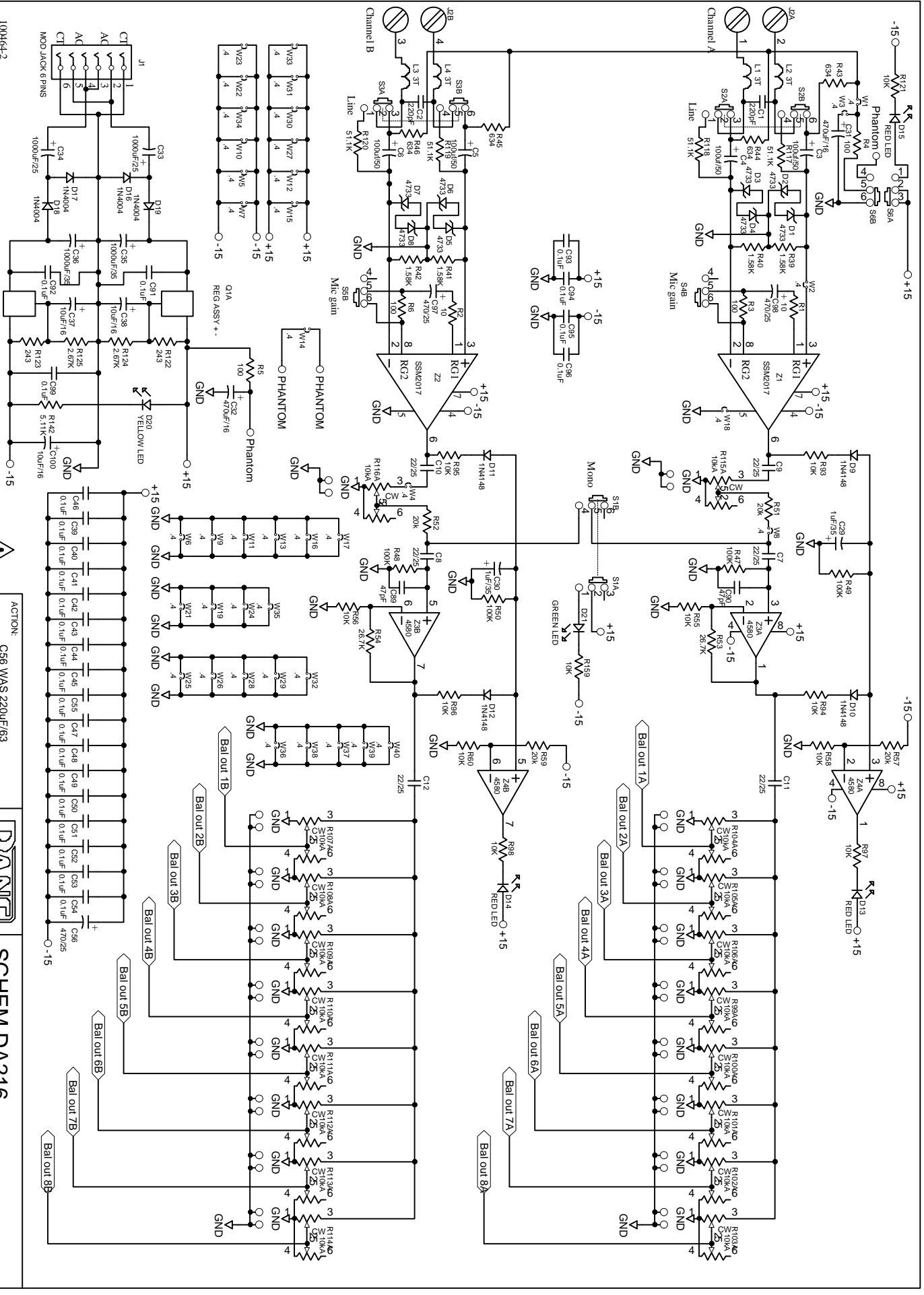


REMOVE LABELS FROM THE FRONT OF THE UNIT

REMOVE LABELS FROM THE FRONT OF THE UNIT



Rane Corp. (425)355-6000  
100624 DES DA216  
ACTION: PART NOT CHANGED, NEW DOC #S RWJ 25NQ97



100464-2  
100464-2.SCH

MOD JACK 6 PINS

REG ASSY +

REG ASSY -

PHANTOM

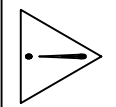
PHANTOM

PHANTOM

PHANTOM

PHANTOM

HDDA216100464-1.SCH 26-Nov-1997



ACTION:  
C56 WAS 220UF/63  
NEW DOC#

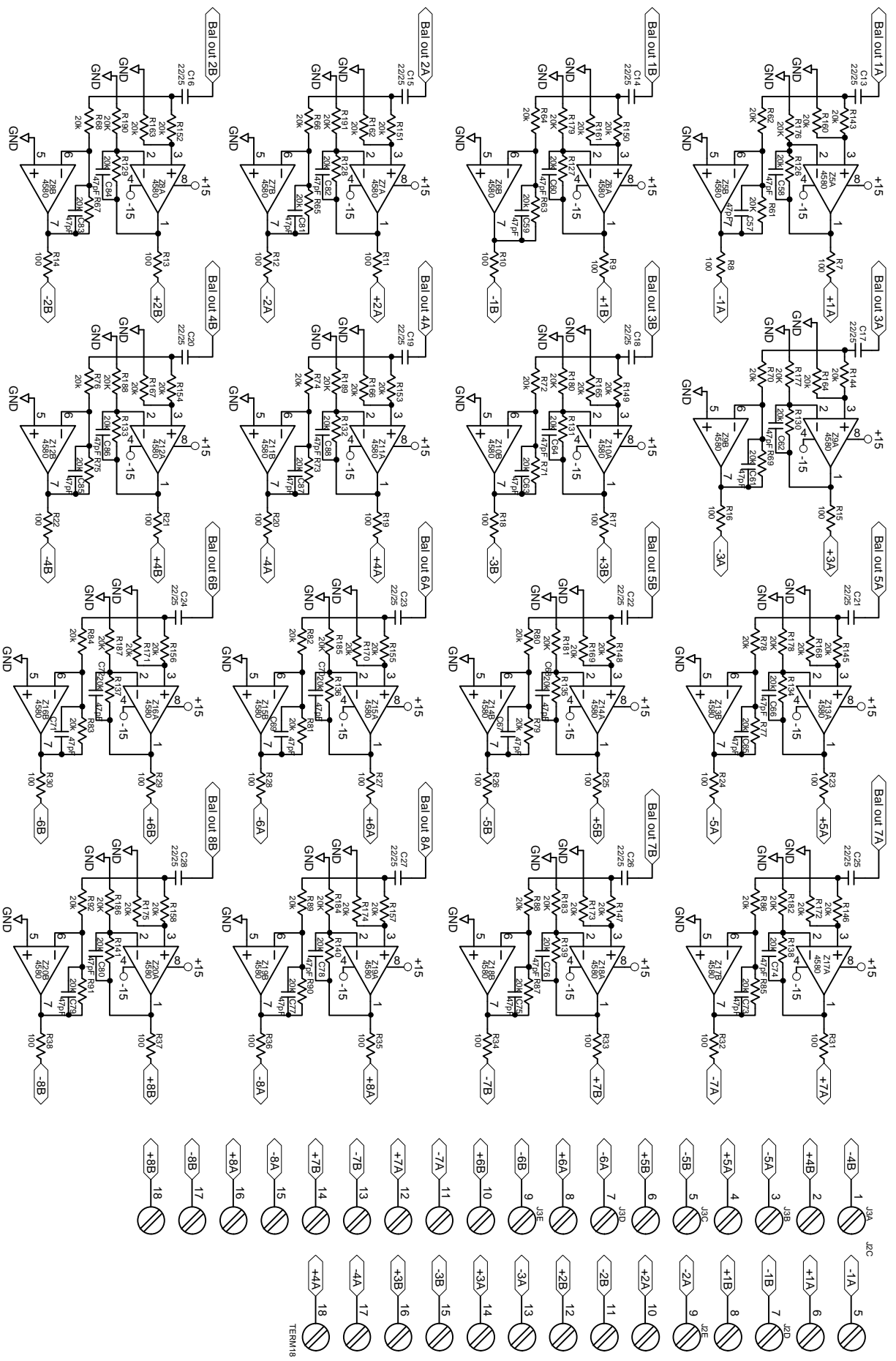
DRAWN BY: MWR  
CHECKED BY: RWJ

10802 47th Avenue West  
Maple, WA 98275-5098

SHEET:  
1 of 2

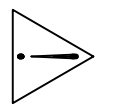
100464

SCHEM DA216



H:\DA216\100464-2.SCH

26-Nov-1997



ACTION:  
DRAWN BY: MR  
CHECKED BY: RWJ

10802 47th Avenue West  
Murrieta, CA 92575-5098

SCHEM DA216  
SHEET: 2 of 2  
100464

TERM18