

Rane Corp. (425)355-6000
 106477 DES DA 26 SHEET 1 OF 2
 ACTION: NEW 14MM POTS, CHG REG ASSY,
 WAS DOC 104705, SKH 80CT02

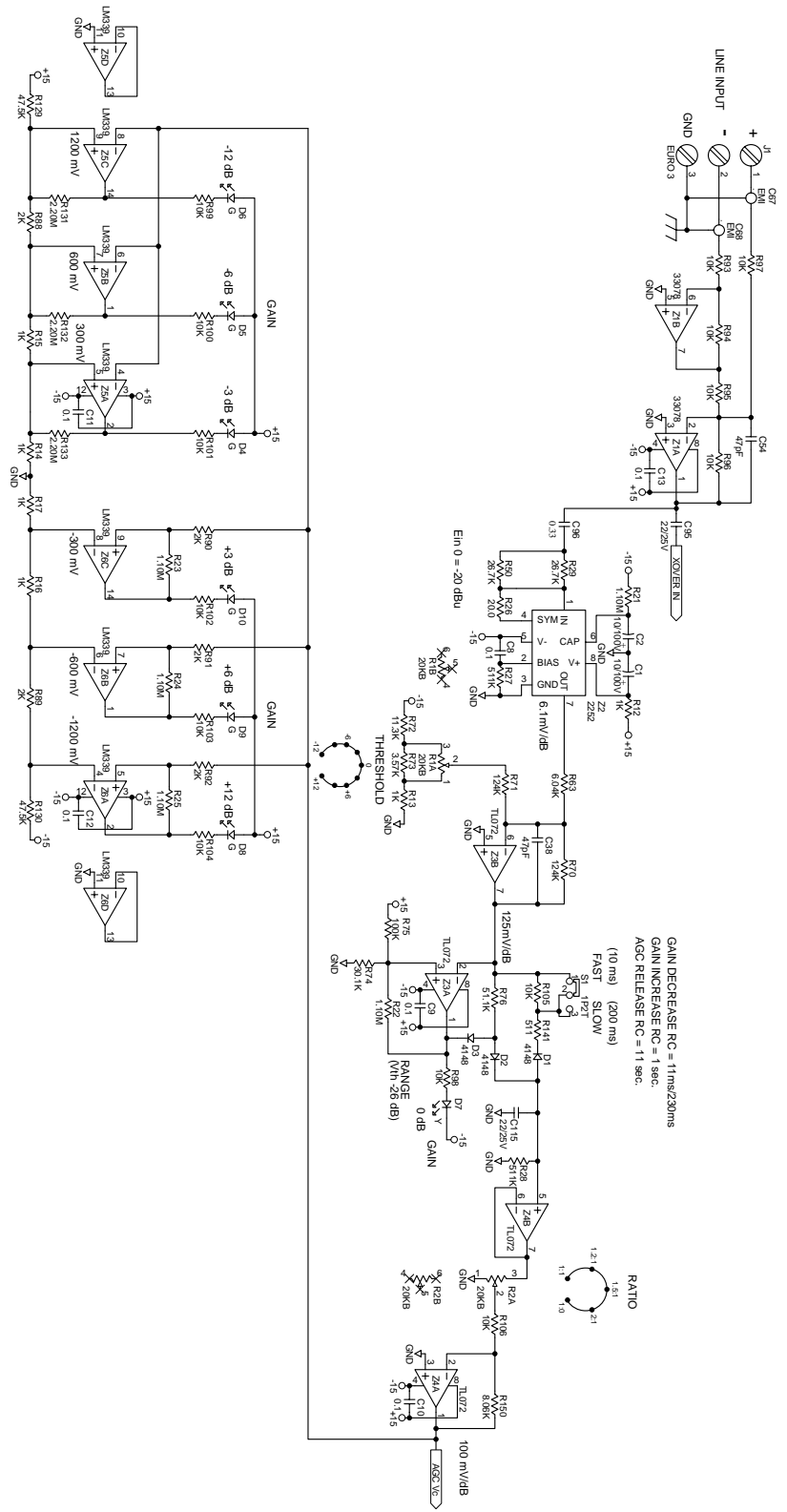
CROSSOVER 106488-2.SCH
 PRIORITY INPUT OUTPUT 1&2 106488-3.SCH
 OUTPUT 3&4 106488-5.SCH
 OUTPUT 5&6 106488-6.SCH



ACTION:
 NO CHANGE TO THIS SHEET
 WAS DOC 106488 SH4 08/02/02
 DRAWN BY: RJ CHECKED BY: RWJ



DA 26 AGC
 SHEET 1 of 6
 106488



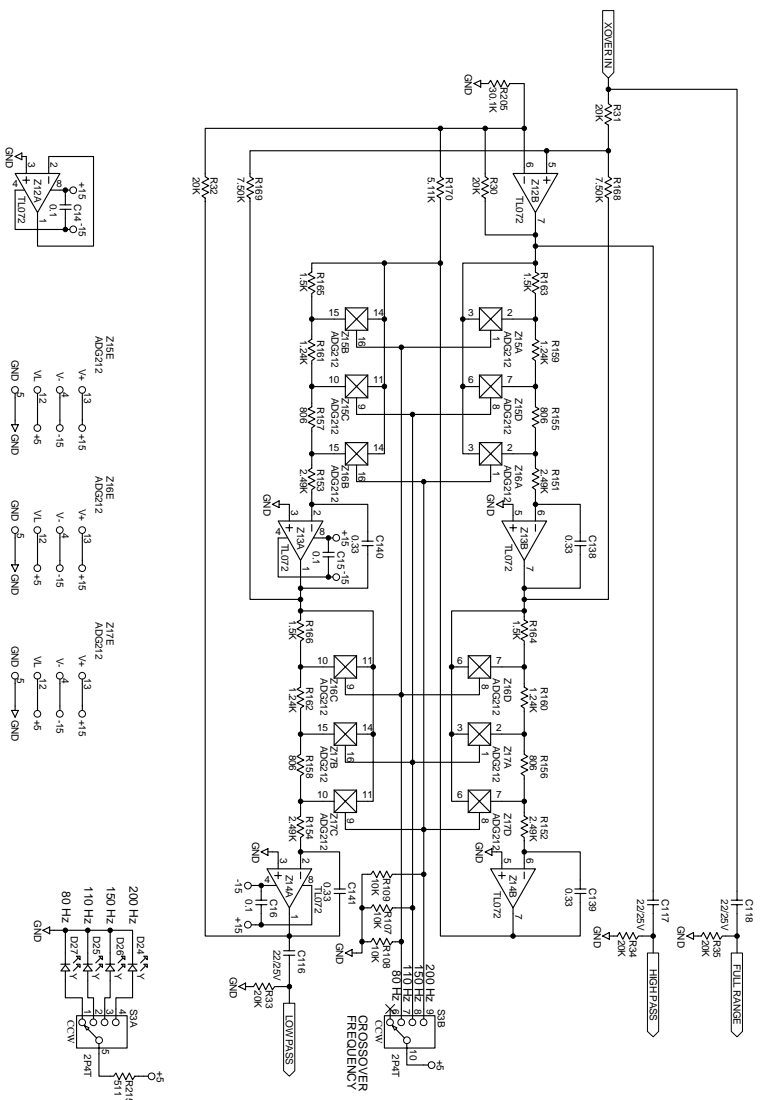
GAIN DECREASE RC = 11ms/20ms
 GAIN INCREASE RC = 1 sec.
 AGC RELEASE RC = 11 sec.
 (10 ms) (200 ms)
 FAST SLOW

RATIO
 1.51
 1.21
 1.1
 1.0

THRESHOLD
 4.6
 4.2
 4.1

RANGE 0 DB
 (Vth 26 dB)

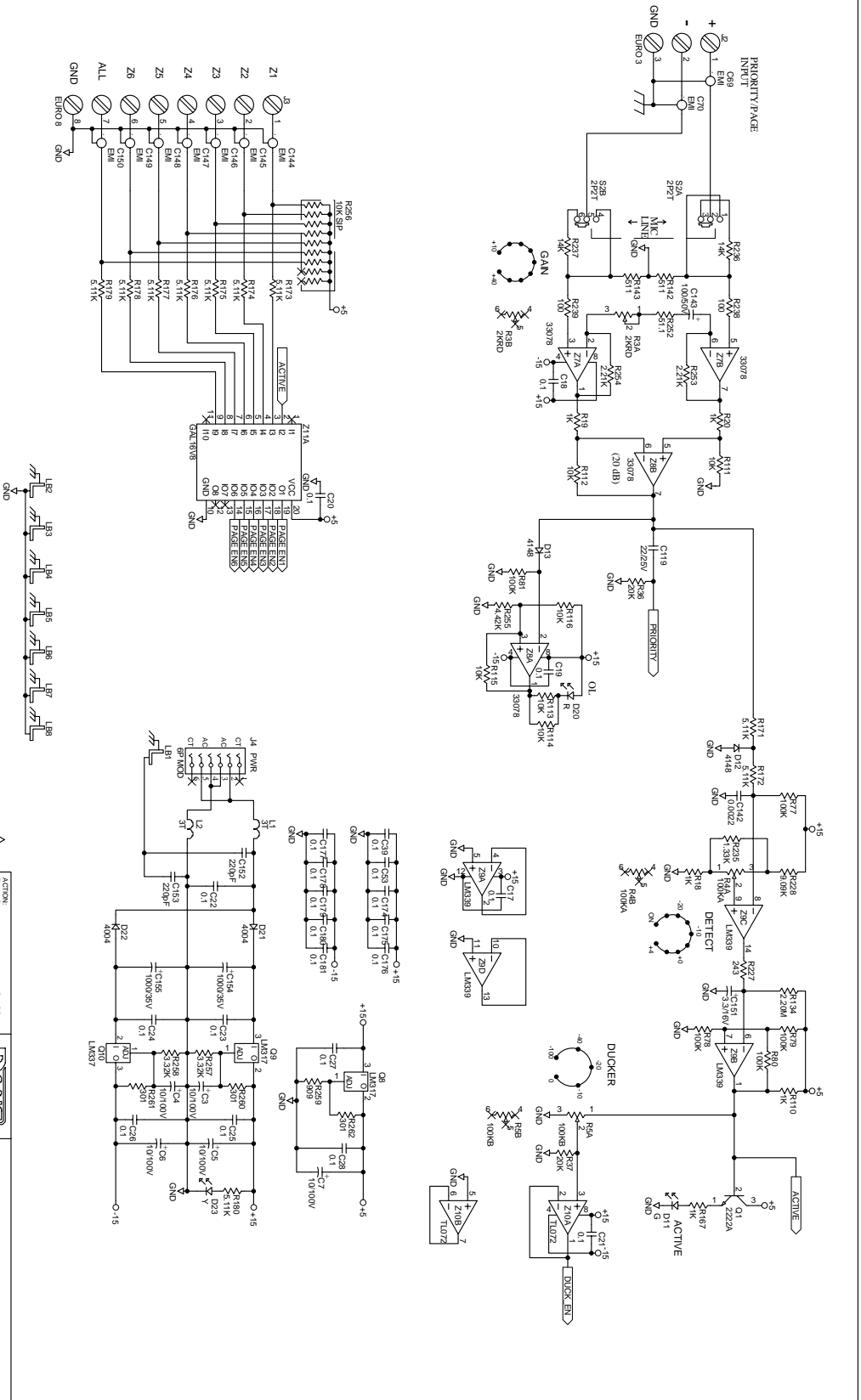
100 mV/DB



ACTION:
NO CHANGE TO THIS SHEET
WAS DDC 106488 SH4 8/07/02
DRAWN BY: RJ
CHECKED BY: RWJ

DA 26 CROSSOVER
SHEET 2 of 6
106488

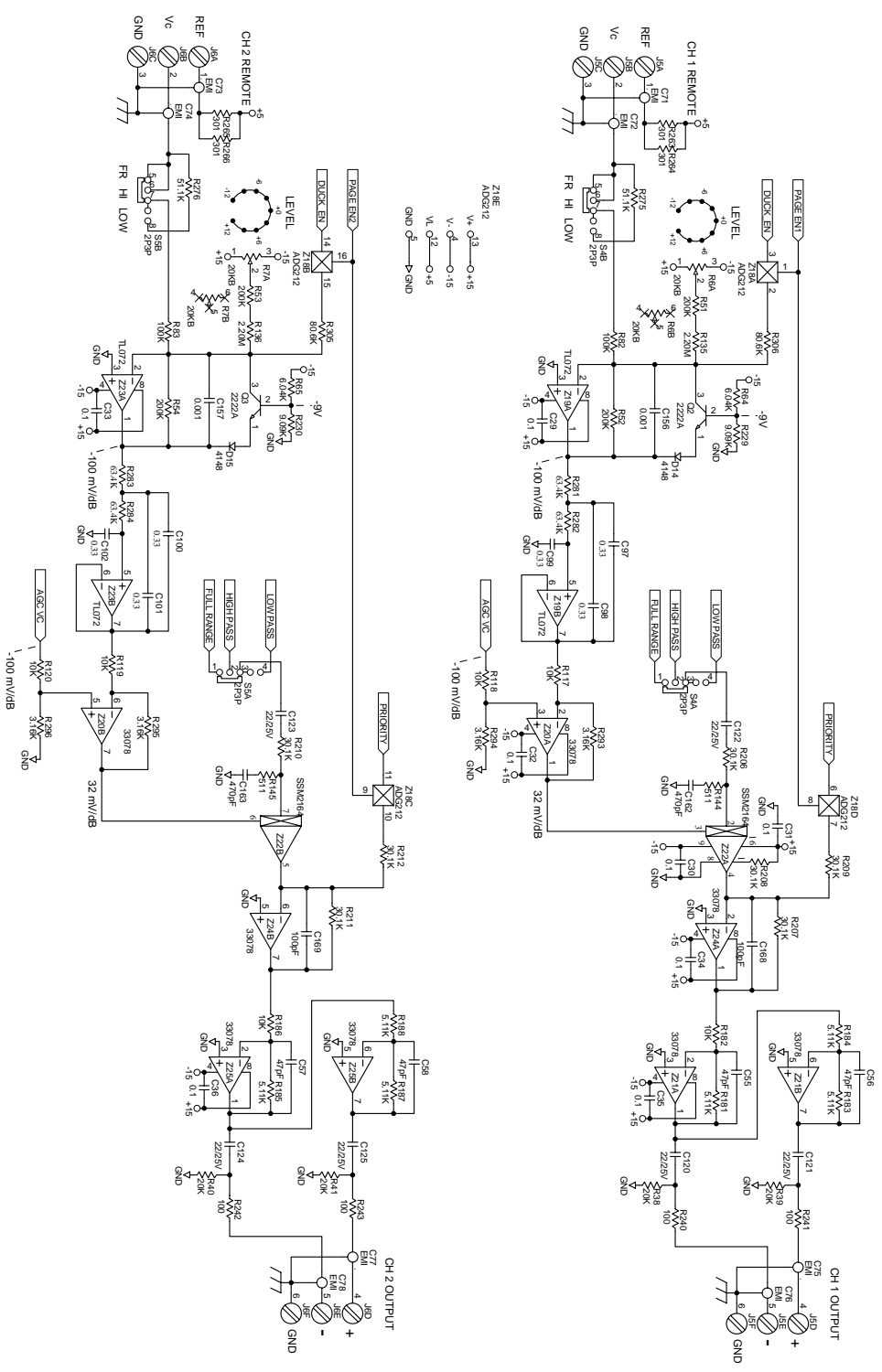
10802, 24th Avenue West
Maplewood, VA 20622-3038



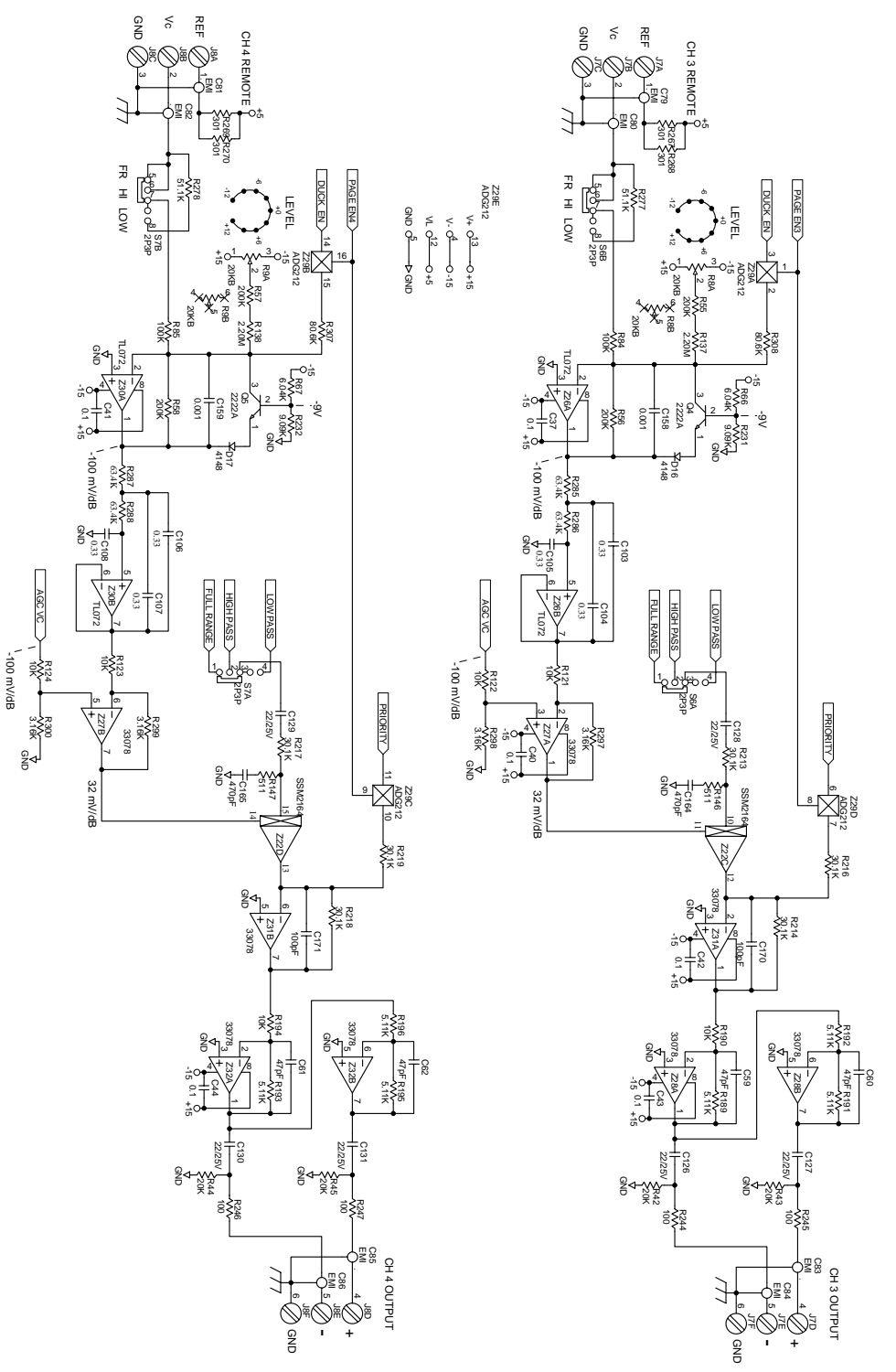
H:\DRAWING\98\98_3\SC14 8-02-2002



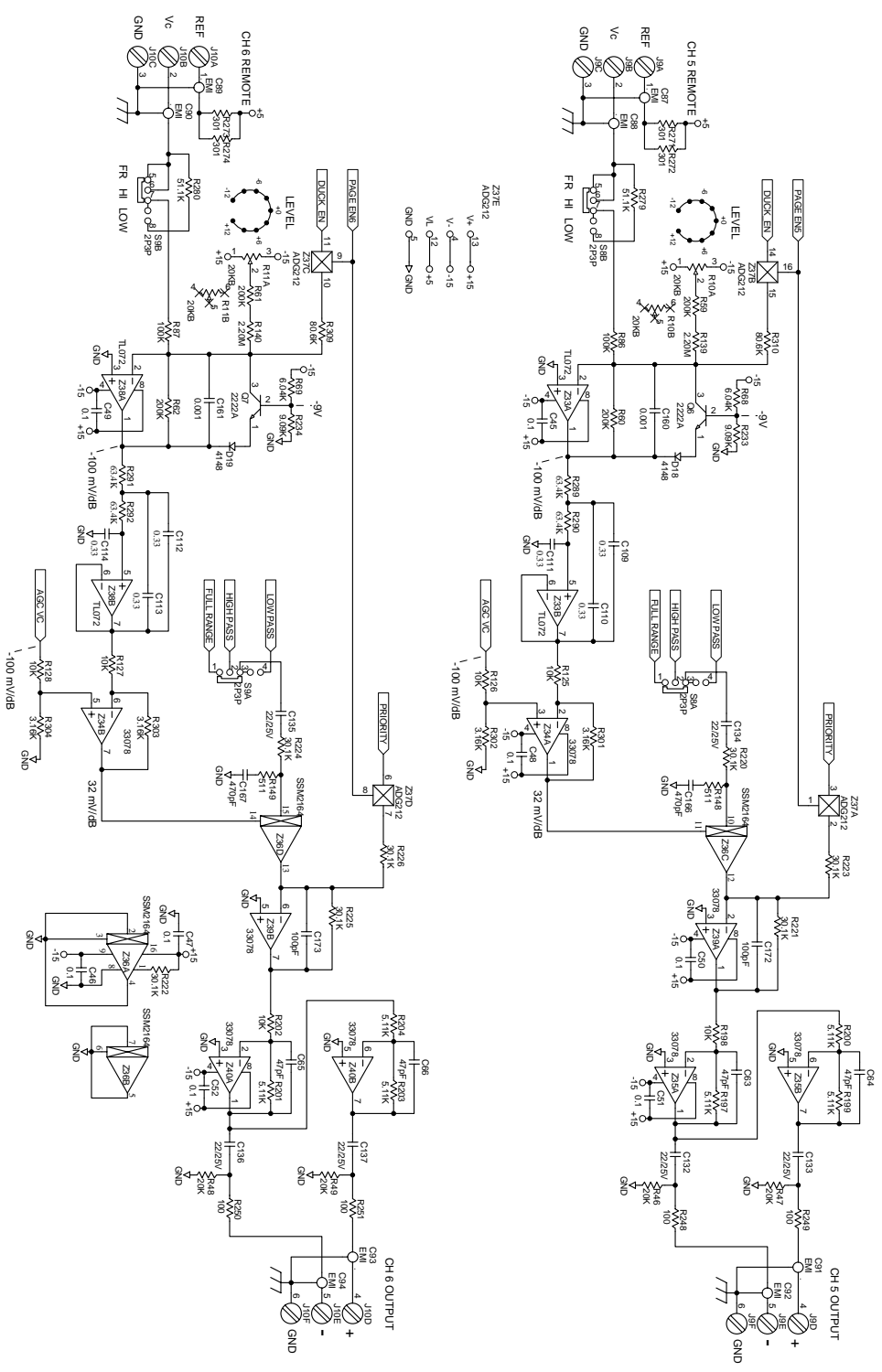
ACTION:	Q9 & Q10 WERE ITEM 100 REG ASSY.		DA 26 PRIORITY INPUT
WAS DDC 10489 SH4 8/02/02	14802, 24 Ft. Avenue West		SHEET
SHAWN BR. RJ	MARKHAM VA. 22075-5038		3 of 6



ACTION:	
NO CHANGE TO THIS SHEET	
WAS DOC 106488 SH4 08/02/02	
DESIGN BY: RJ	CHECKED BY: RWJ
10802, 27th Avenue West	
Maplewood, MN 55125-5038	
RANE	
SHEET 4	
DA 26 OUTPUT 1&2	
106488	



ACTION:		
NO CHANGE TO THIS SHEET		
WAS DOC 10689 SH4 08/02/02	10802 28 Ft. Avenue West	RANER
DESIGNER: RJ	CHECKED BY: RWJ	
SHEET 5 of 6		
DA 26 OUTPUT 384		106488



NO CHANGE TO THIS SHEET
WAS DOC 106488 SH 880CT02

RANE
10802 Zth Avenue West
Maplewood VA 22081-2538

SHEET 6 of 6
DA 26 OUTPUT 586

ACTION:	
DRAWN BY:	RJ
CHECKED BY:	RWJ