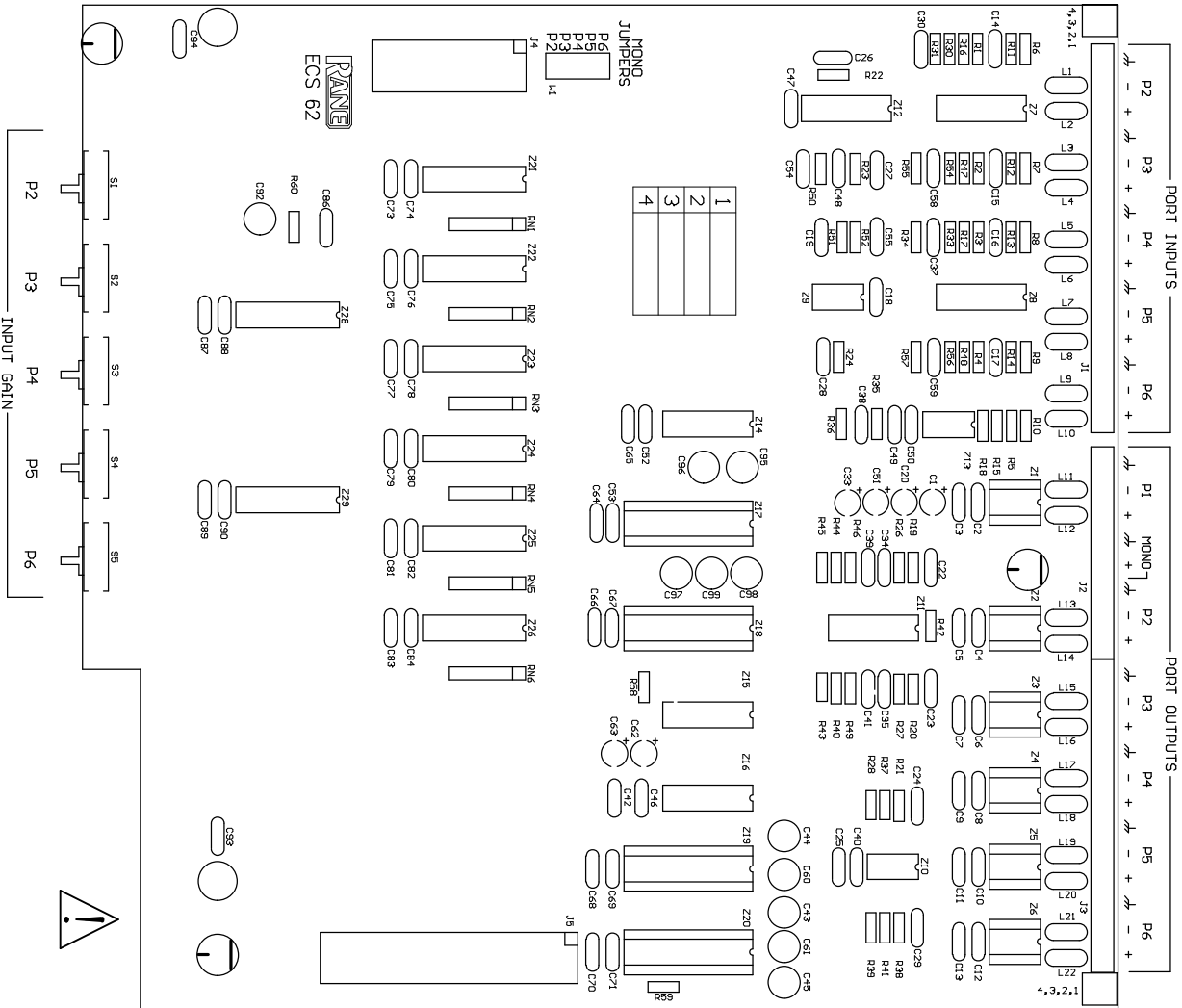


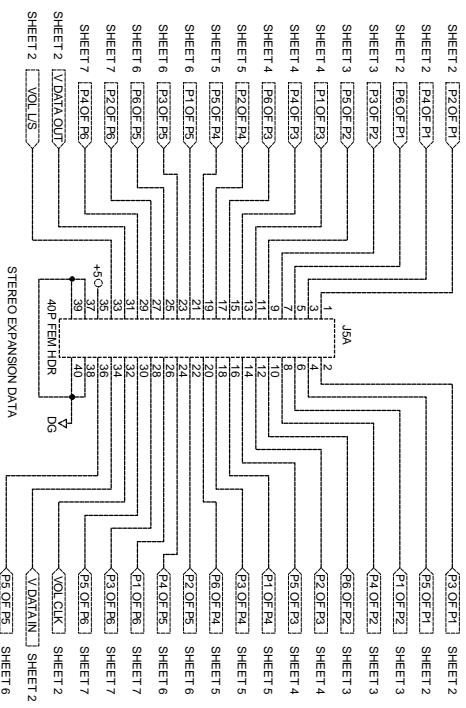
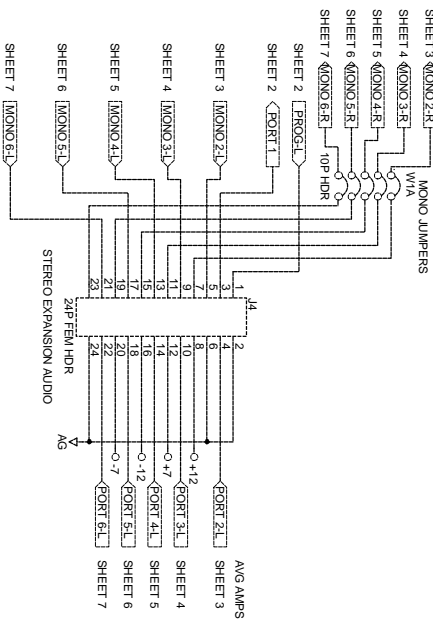
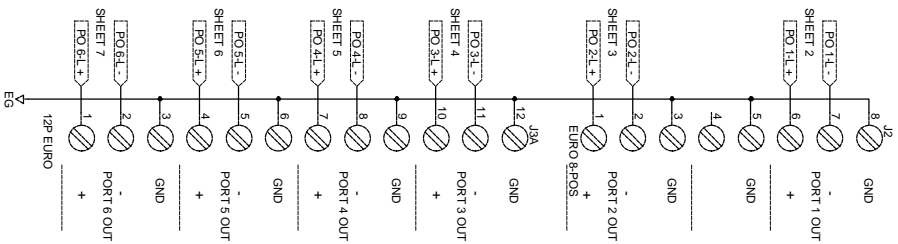
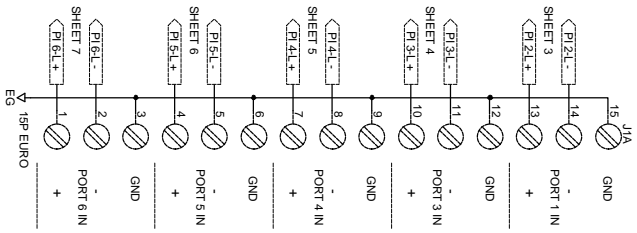
STATIC SENSITIVE



Rane Corp. (425)355-6000

103892 DES ECS 62 SHEET 1 OF 2

ACTION: REVISED FOOTPRINT OF C43, C44, C45, C60, C61, C92, C95, C96, C97, C98, AND C99, WAS 102604, FJ 4FEB00



PORT 1, ROOMPROS 103889.2.SCH
 PORT 2, CODECR 103889.3.SCH
 PORT 3, AUX1-R 103889.4.SCH
 PORT 4, AUX2-R 103889.5.SCH
 PORT 5, VCR-R 103889.6.SCH
 PORT 6, PHONER 103889.7.SCH
 POWER SUPPLY 103889.8.SCH
 HIECS62103889.1.SCH 3-Feb-2000

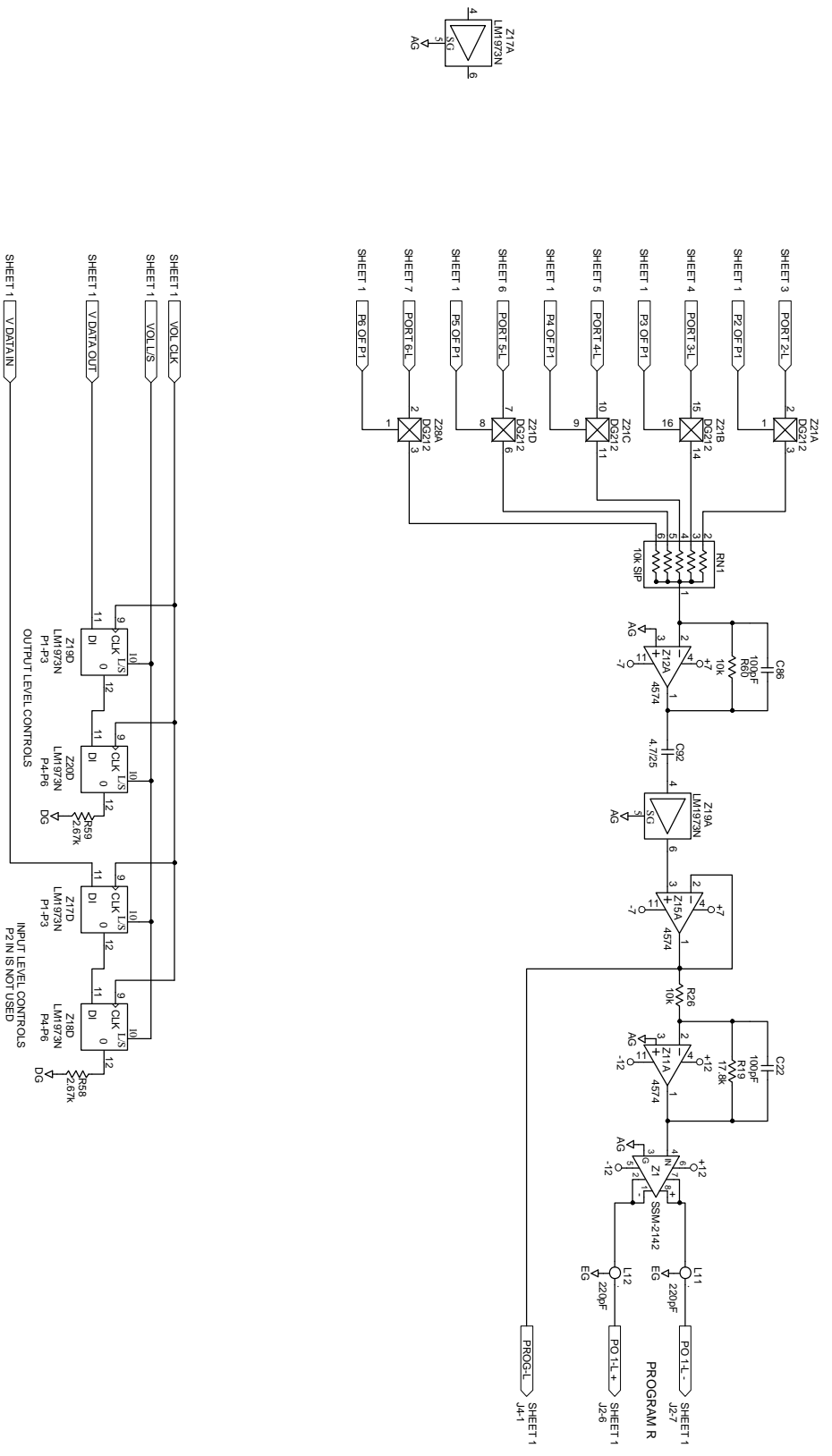
ACORN NO CHANGE TO THIS SHEET
 VAS 10/28/00, FJ2/FEM/00
 DRAWN BY: MS CHECKED BY: RGH
 10RD, 47th Avenida W441
 Manhato, VA 98275-5098
RANE CONNECTOR SHEET ECS 62
 SHEET 1 of 8 103889



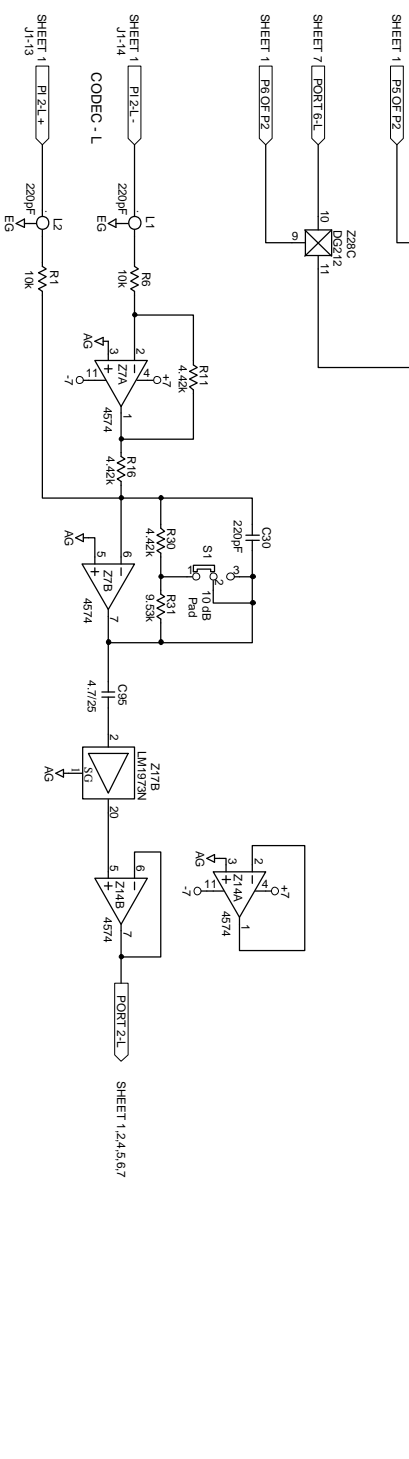
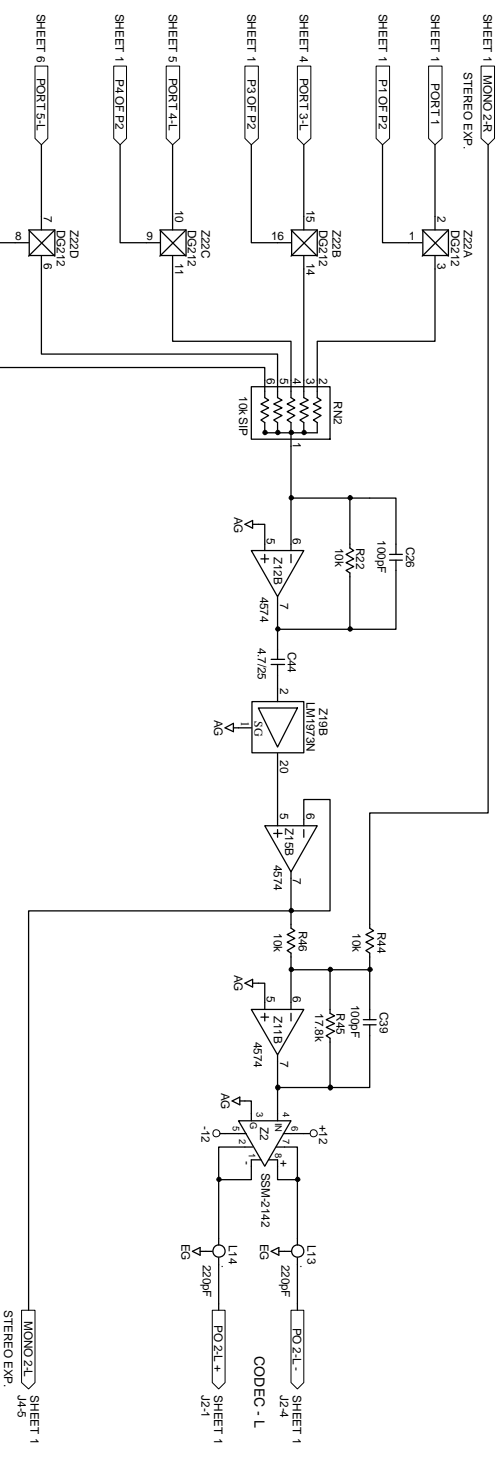
ACORN
 CS2 WAS 1.0
 WAS 102800, F12FEB00
 DRAWN BY: MS
 CHECKED BY: RGH



10RD, 47th Avenida W484
 Makikiro VIA 98275-5098
PORT 1 : ROOM/PROG ECS 62
 SHEET
2 of 8
103889



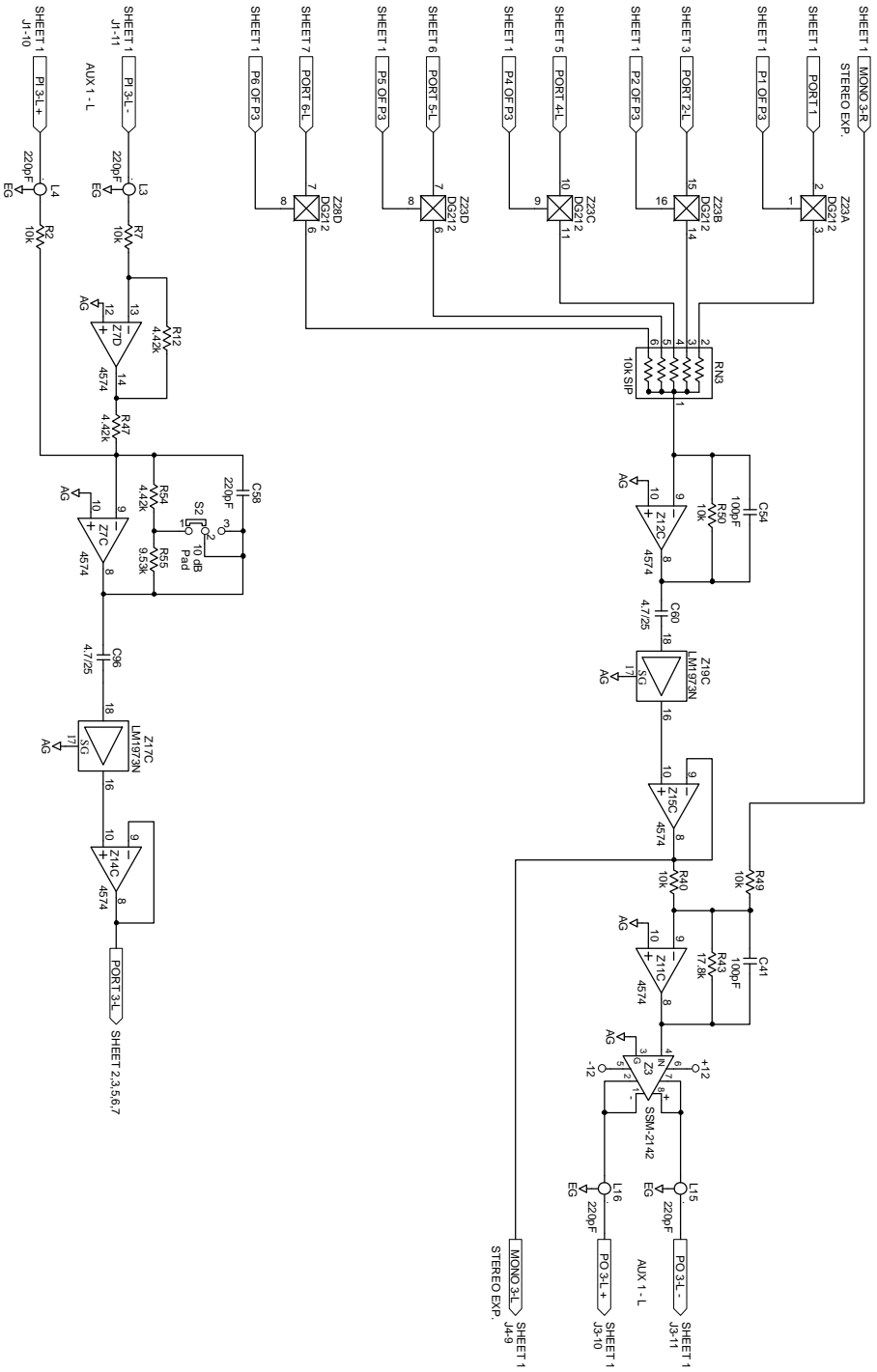
PROG L
 J4-1



ACTON
 C44 AND CHS WERE 1.0
 VAS 102800, F12FE800
 DRAWN BY: MS
 CHECKED BY: RGH



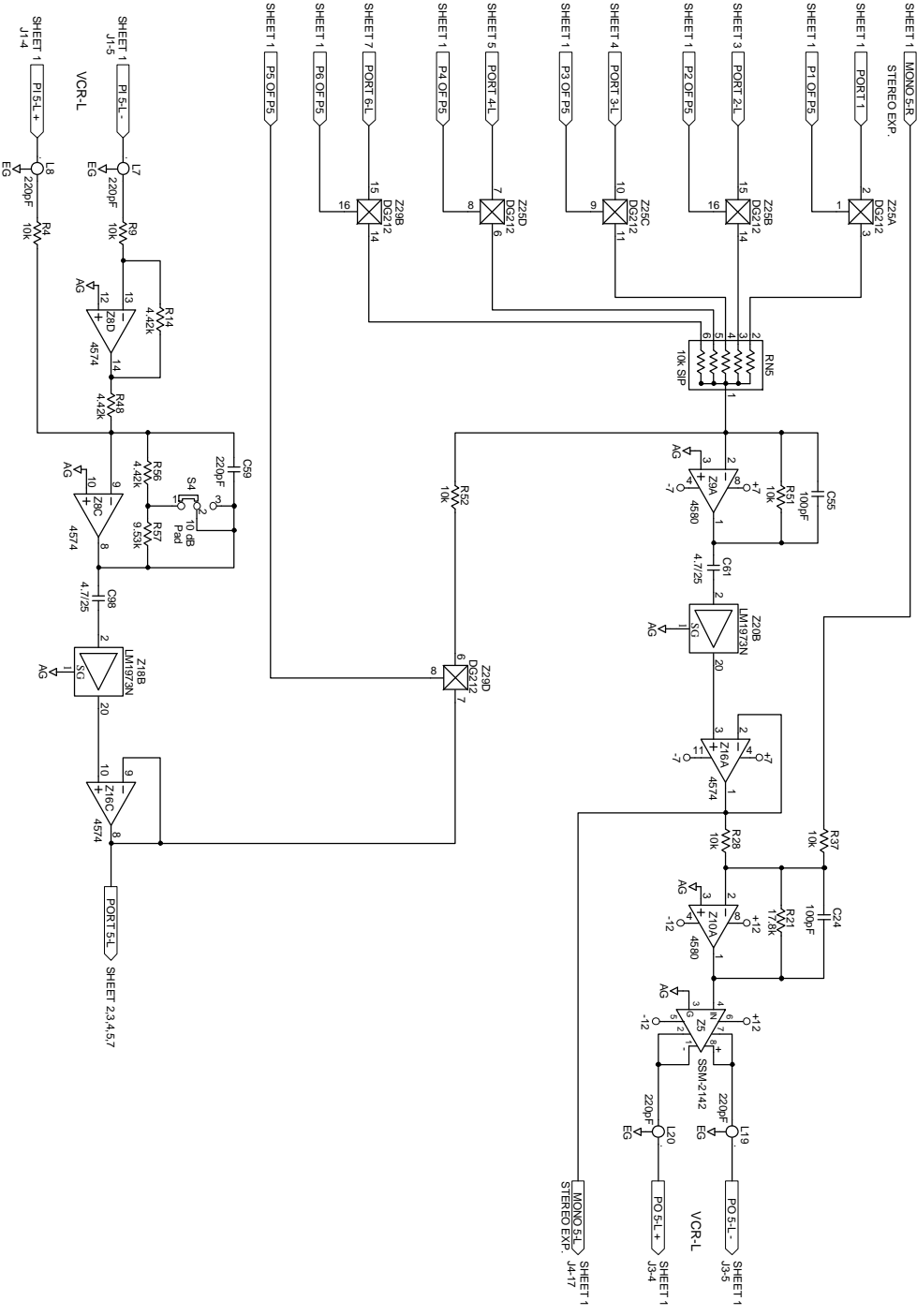
10802 47th Avenue West
 Mukilteo WA 98275-5098
 SHEET 3 of 8
 PORT 2 : CODEC - R ECS 62
 103889



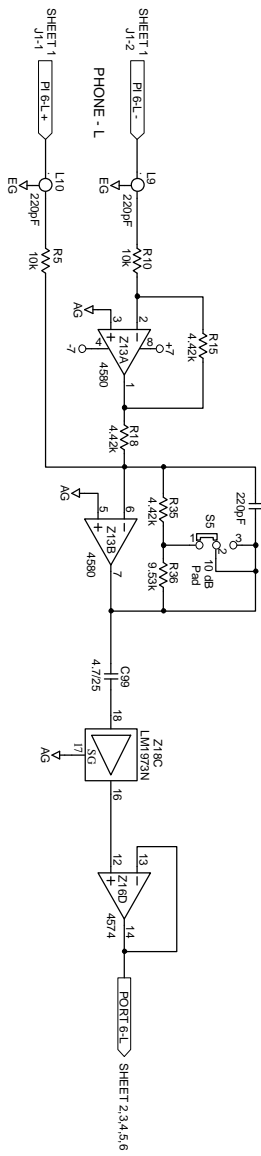
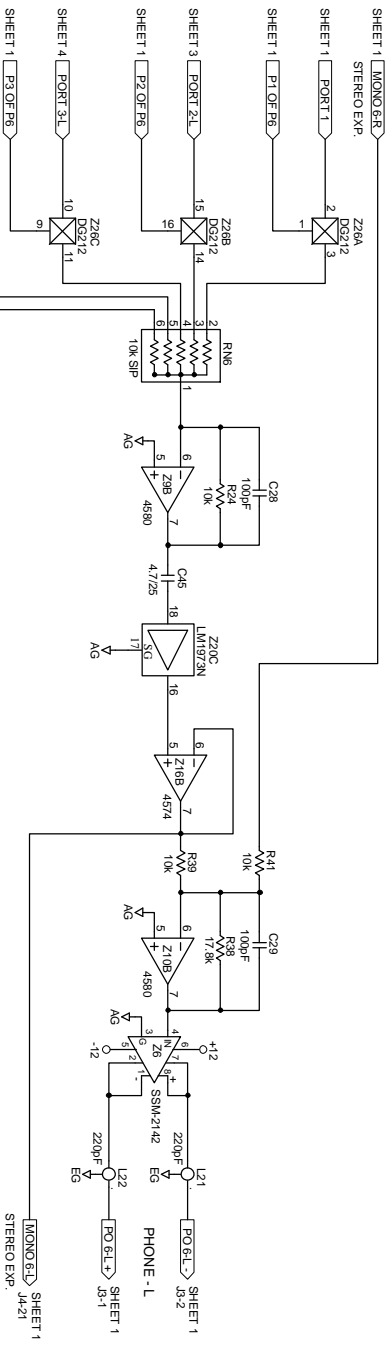
ACTION:
 C97 AND C98 WERE 1.0
 VAS 102820, FJZFER00
 DRAWN BY: MS
 CHECKED BY: RGH

RANE
 10802 47th Avenue West
 Mukilteo WA 98275-5098

PORT 3 : AUX 1 - R ECSS 62
 SHEET 4 of 8
 103889



ACTION: C81 AND C98 WERE 1.0 WAS 10000. F12FERB0	RANE 10802 47th Avenida W441 Mankipio VIA 98275-5098	PORT 5 : VCR - R ECS 62 SHEET 6 of 8 103889
DRAWN BY: MS CHECKED BY: RGH	APPROVED BY:	DATE:



ACTION: C15 AND C19 WERE 1.0
 W/AS 100000. F1 ZFERB10
 DRAWN BY: MS
 CHECKED BY: RGH



10802 47th Avenue West
 Mukilteo WA 98275-5098
 SHEET: 7 of 8
 103889

PORT 6 : PHONE - R ECS 62

