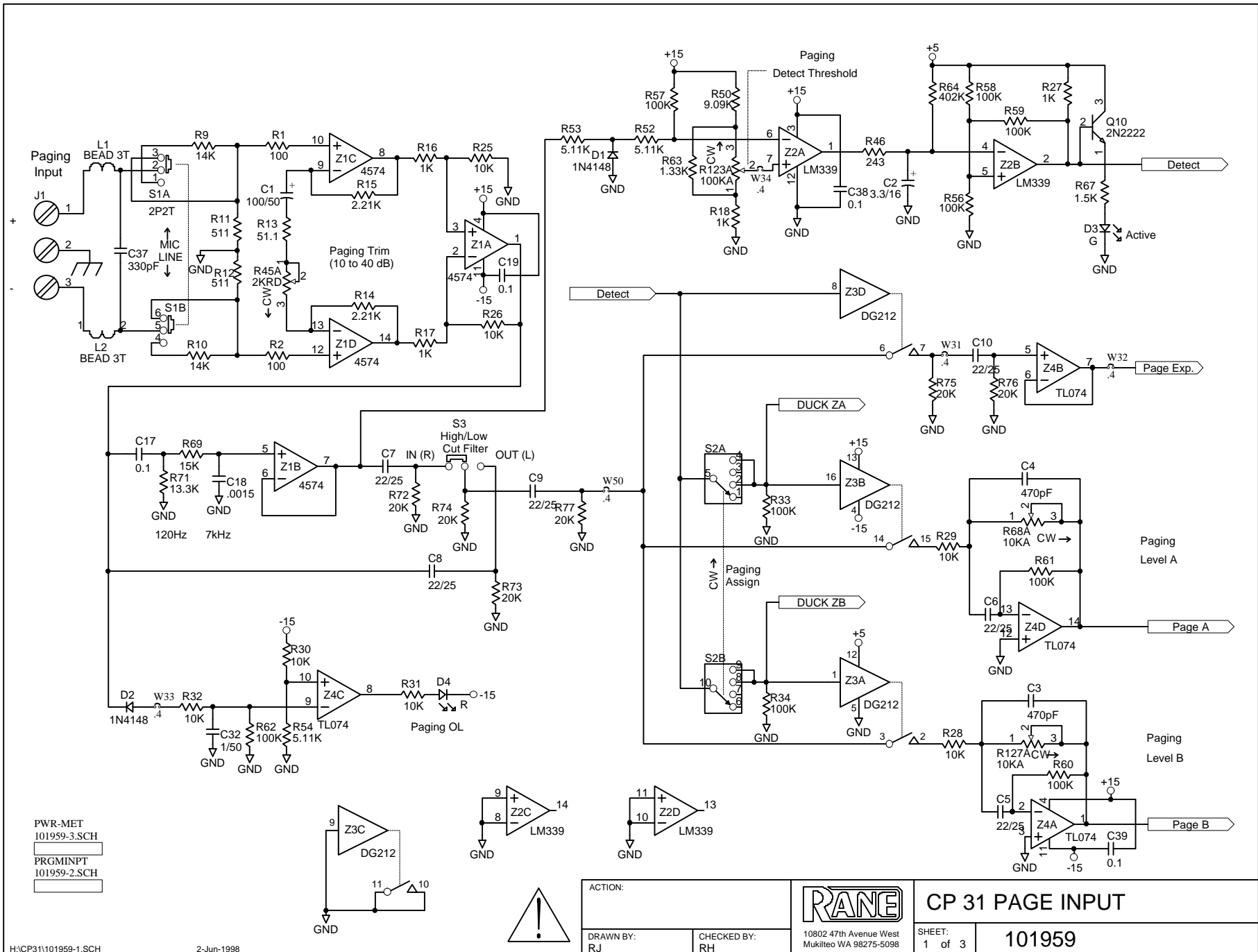


Rane Corp. (425)355-6000  
 101957 DES CP 31  
 ACTION: ADDED L3, L4, L5, C59, C63, AND C64, MOVED LB2, NEW DOC# FJ 7MAY98



PWR-MET  
101959-3.SCH  
PRGMINPT  
101959-2.SCH

ACTION:	
DRAWN BY: RJ	CHECKED BY: RH

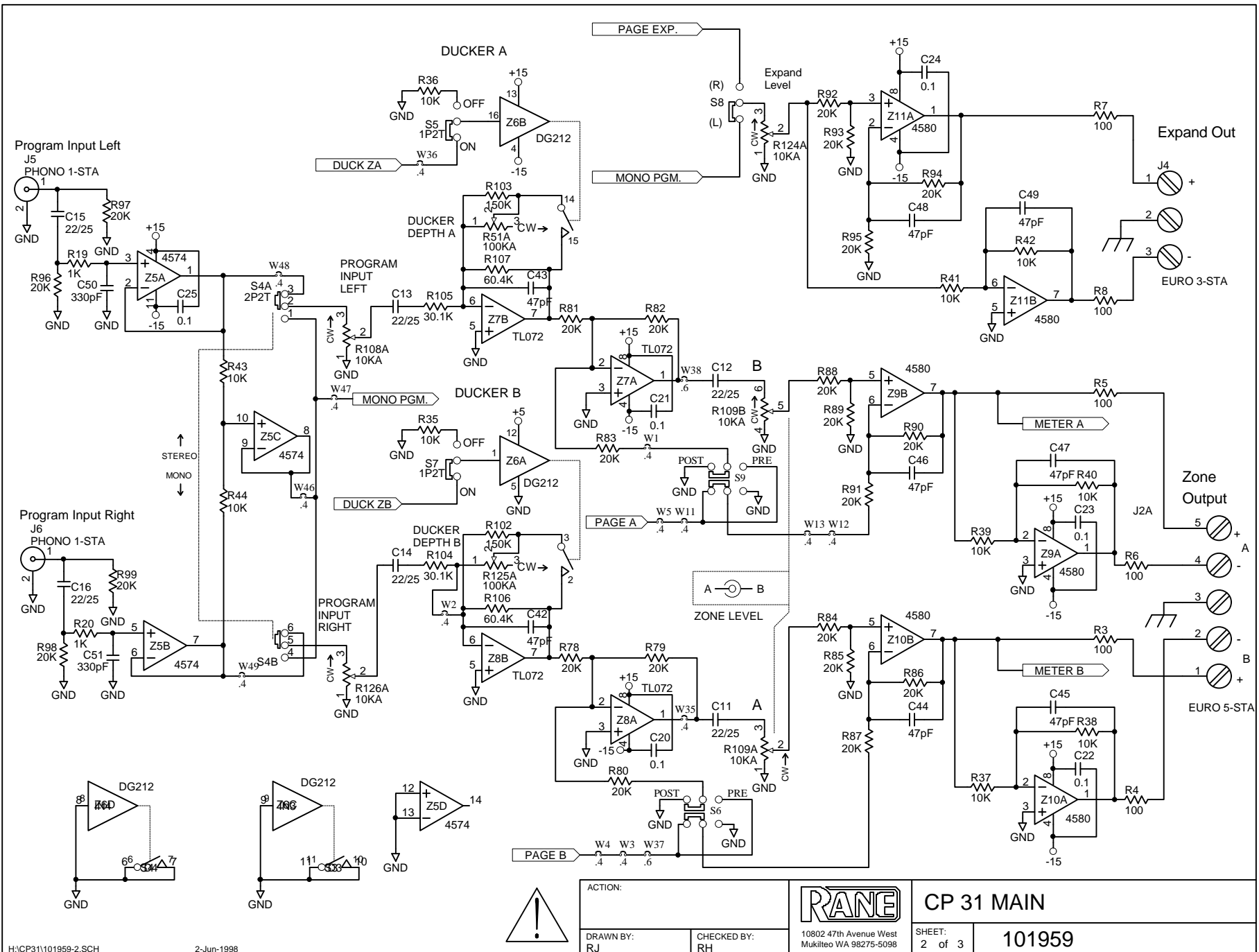


CP 31 PAGE INPUT

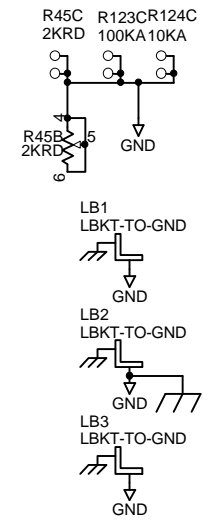
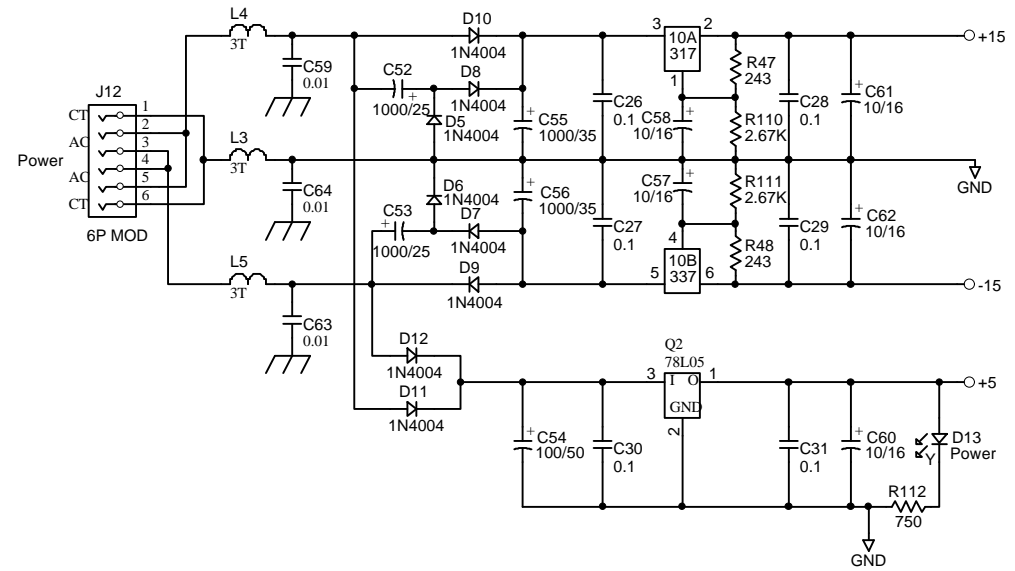
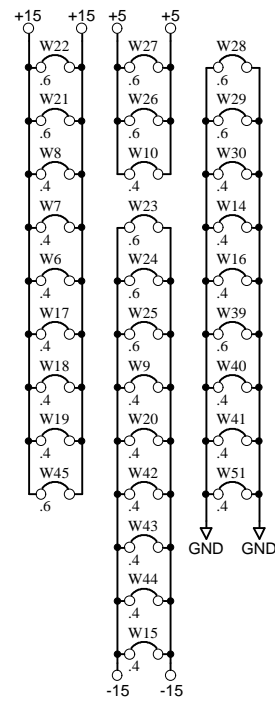
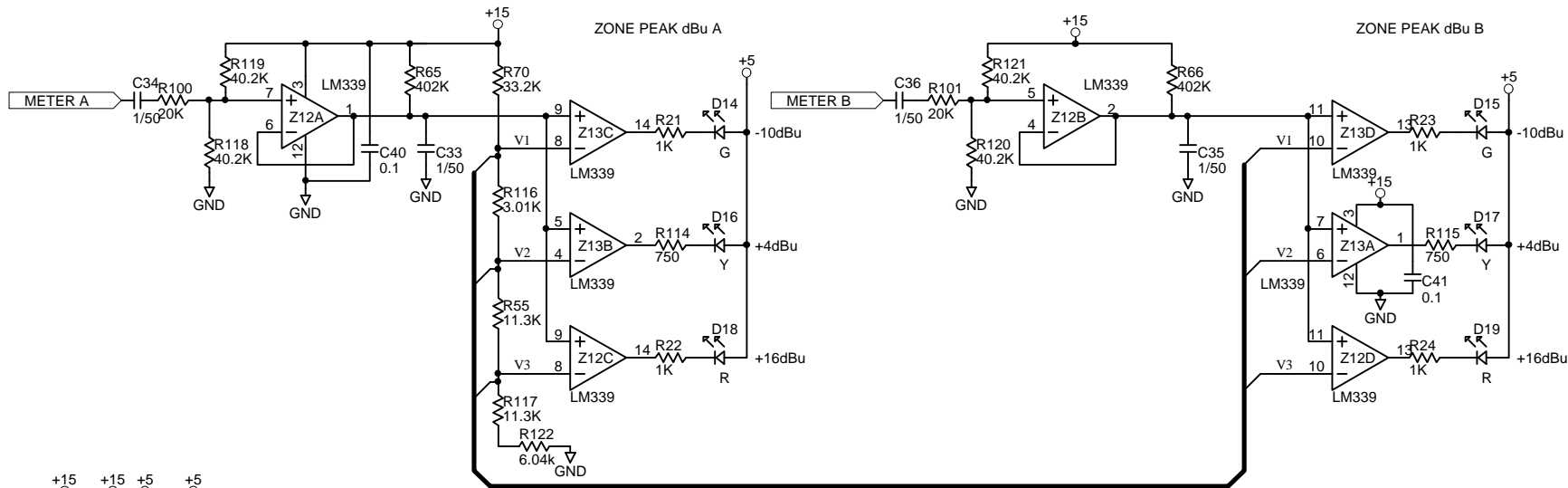
10802 47th Avenue West  
Mukilteo WA 98275-5098

SHEET:  
1 of 3

101959



ACTION:			<b>CP 31 MAIN</b>	
DRAWN BY: RJ	CHECKED BY: RH		SHEET: 2 of 3	101959



ACTION:  
 ADDED 3 OF 3T BEAD AND 0.01CAPS,  
 NEW DOC# FJ 5MAY98

DRAWN BY:  
 RJ

CHECKED BY:  
 RH

**RANE**  
 10802 47th Avenue West  
 Mukilteo WA 98275-5098

**CP 31 PWR / METER**

SHEET:  
 3 of 3

**101959**