

6

5

4

3

2

1

REVISION RECORD			
LR	CDR NO.	APPROVED	DATE

D

D

C

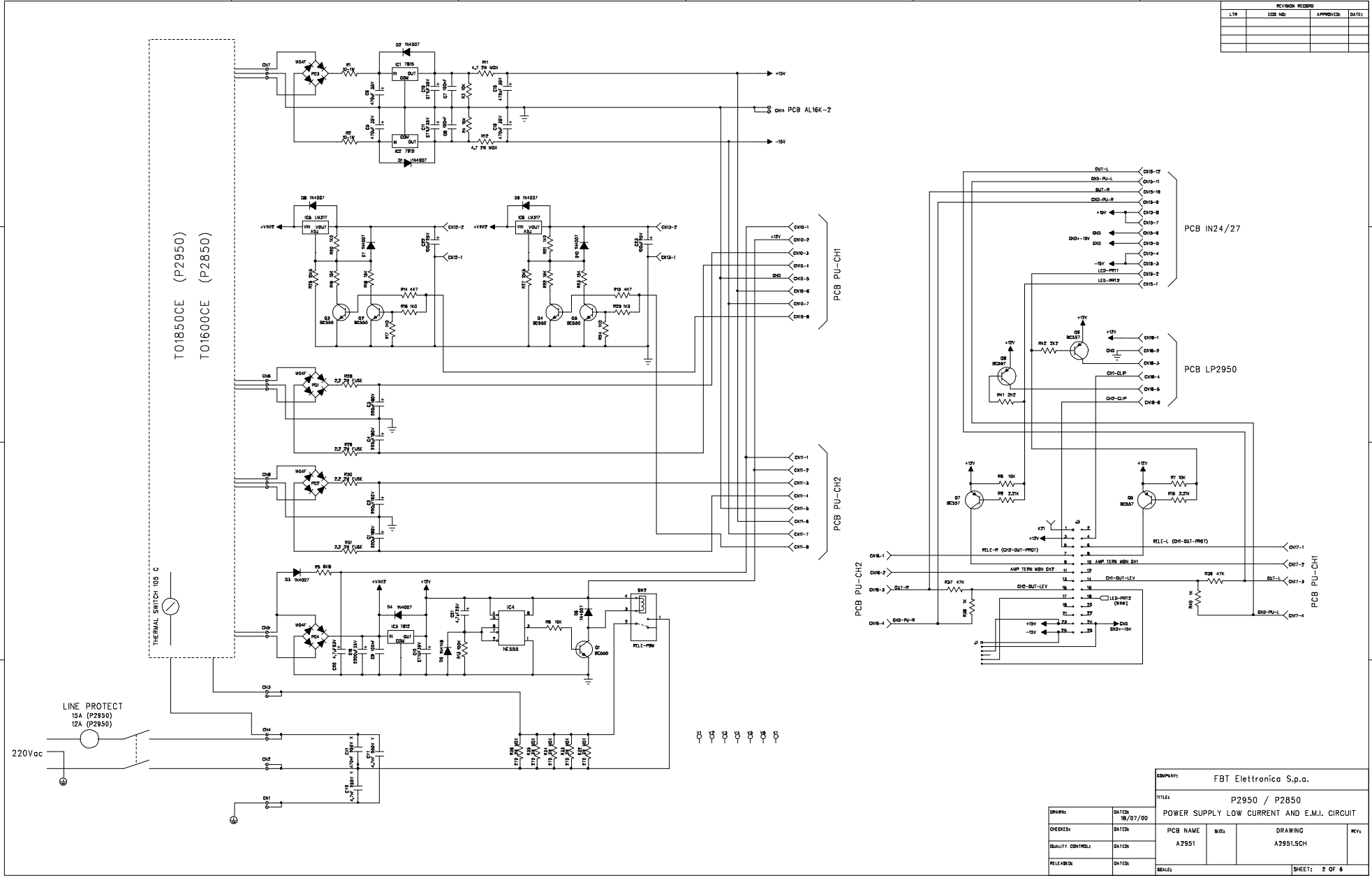
C

B

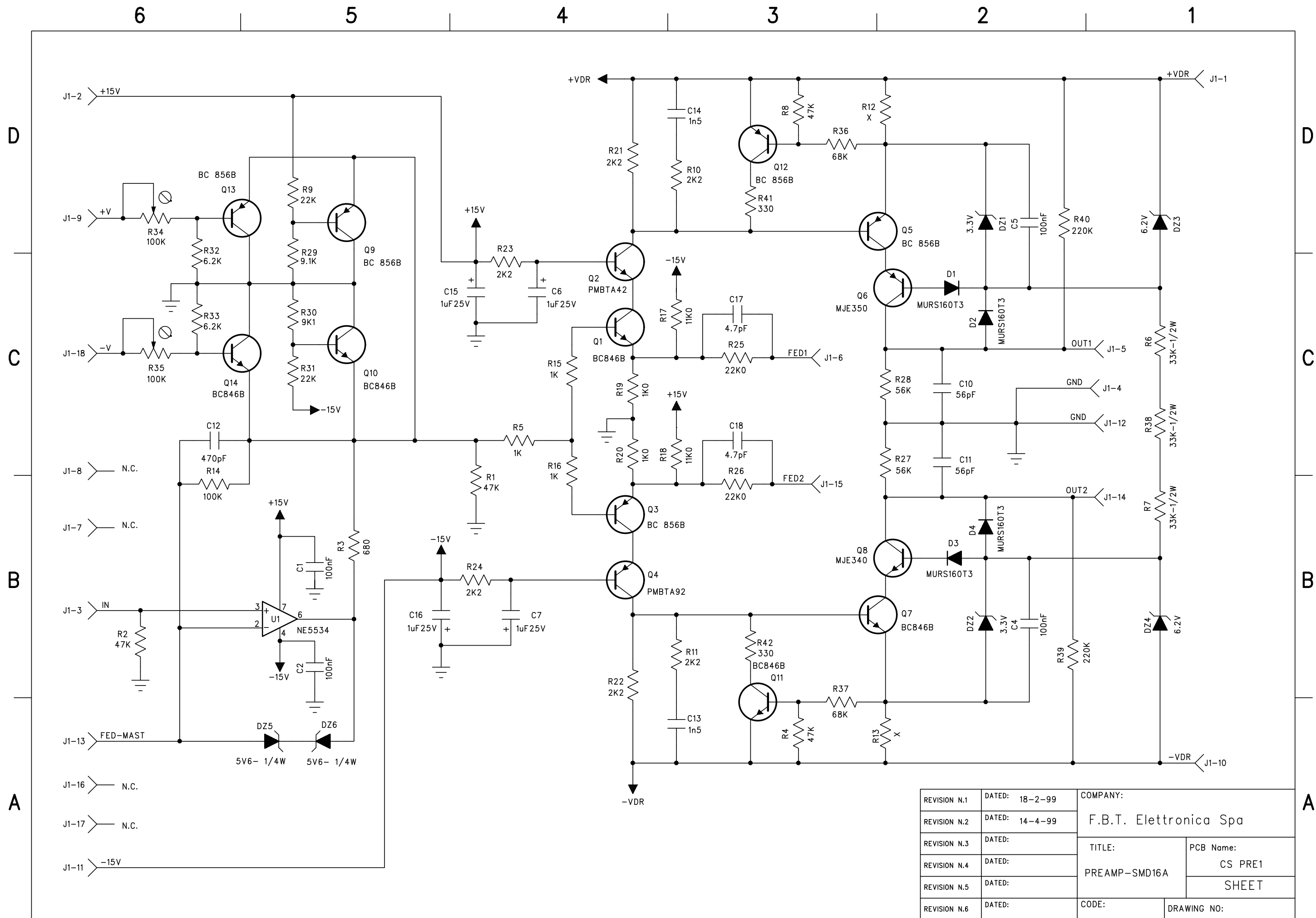
B

A

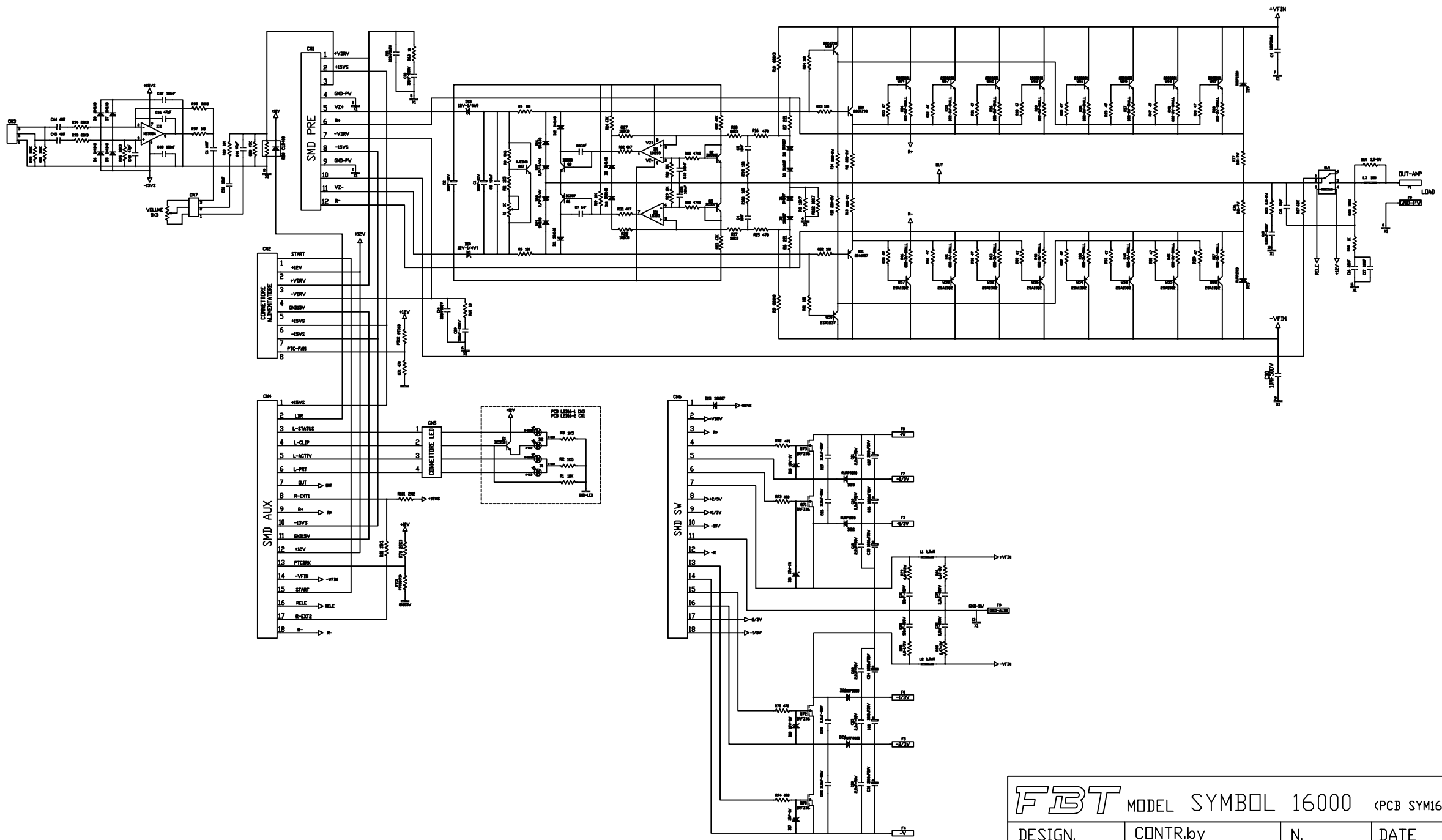
A



COMPANY:		FBT Elettronica S.p.a.			
TITLE:		P2950 / P2850			
DRAWN:		POWER SUPPLY LOW CURRENT AND E.M.I. CIRCUIT			
DATE:	18/07/00	PCB NAME:	A2951	DRAWING:	A2951.SCH
CHECKED:		SER:		REV:	
QUALITY CONTROL:					
RELEASED:					
				SHEET: 2 OF 6	



REVISION N.1	DATED: 18-2-99	COMPANY:	
REVISION N.2	DATED: 14-4-99	F.B.T. Elettronica Spa	
REVISION N.3	DATED:	TITLE:	PCB Name:
REVISION N.4	DATED:	PREAMP-SMD16A	CS PRE1
REVISION N.5	DATED:		SHEET
REVISION N.6	DATED:	CODE:	DRAWING NO:



<b>FBT</b> MODEL SYMBOL 16000 (PCB SYM16)			
DESIGN.	CONTR.by	N.	DATE
			06/07/98

6

5

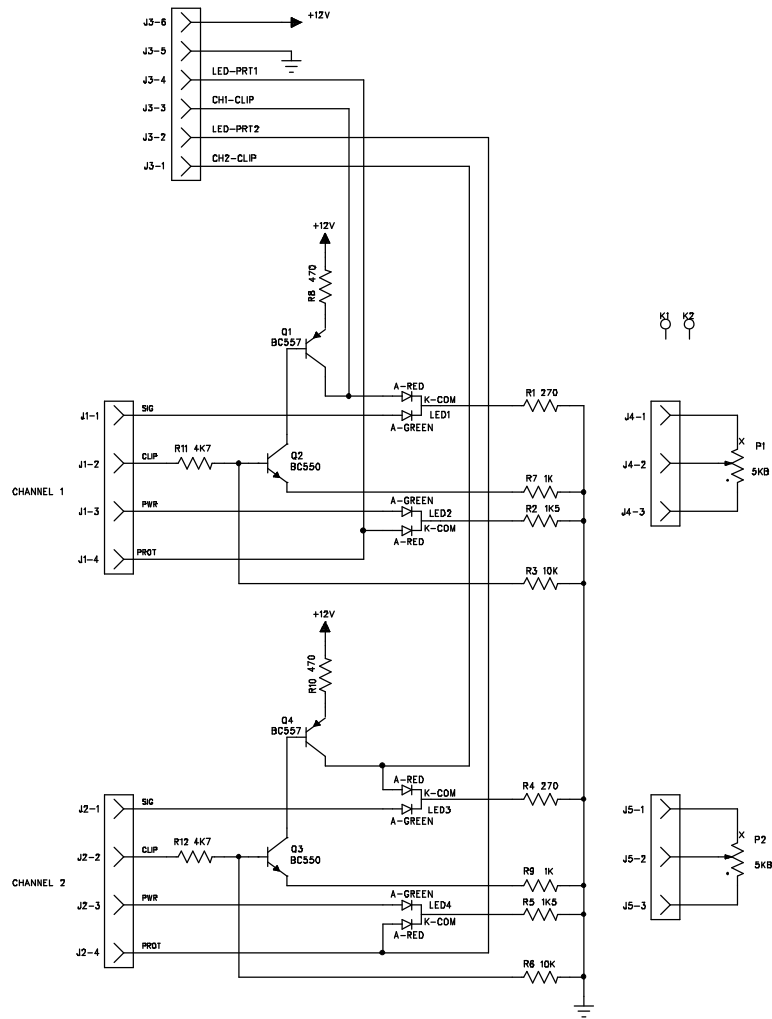
4

3

2

1

REVISION RECORD			
LTR	ECD NO:	APPROVED:	DATE:



COMPANY: F.B.T. Elettronica S.p.a.

TITLE: P2950/P2850  
MONITOR AND LEVEL BOARD

DRAWN:	DATED: 11/07/00
CHECKED:	DATED:
QUALITY CONTROL:	DATED:
RELEASED:	DATED:

PCB NAME	SIZE:	DRAWING	REV:
14621-00		14621-00.SCH	

SCALE: SHEET: 4 OF 6

6

5

4

3

2

1

D

D

C

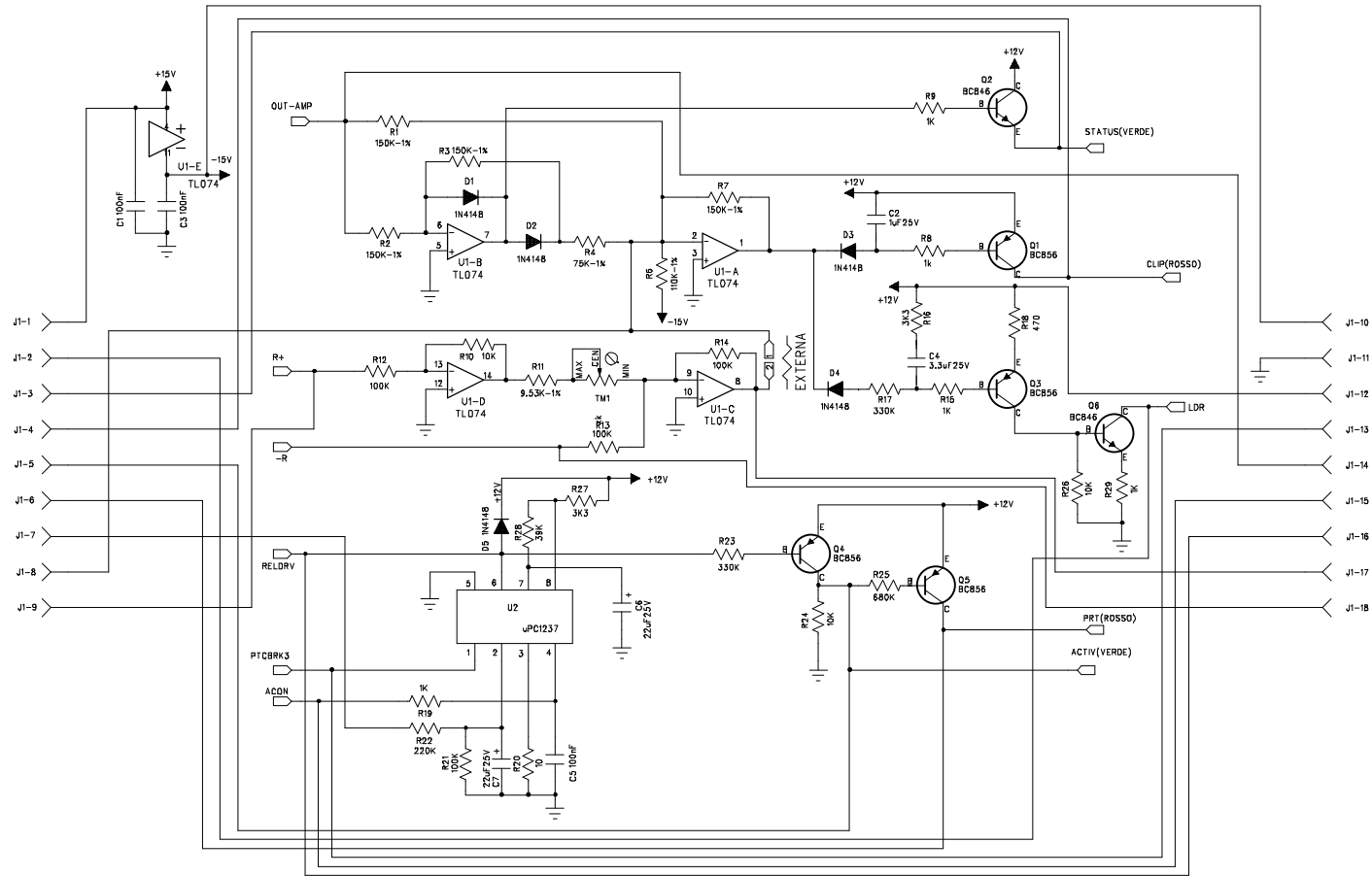
C

B

B

A

A



UPDATE	DATED: 23-05-00	COMPANY: F.B.T. Elettronica Spa	
	27-06-00	TITLE: AUX	PCB Name: SMD-AUX1
		CODE: 14035	SHEET 1 of 4