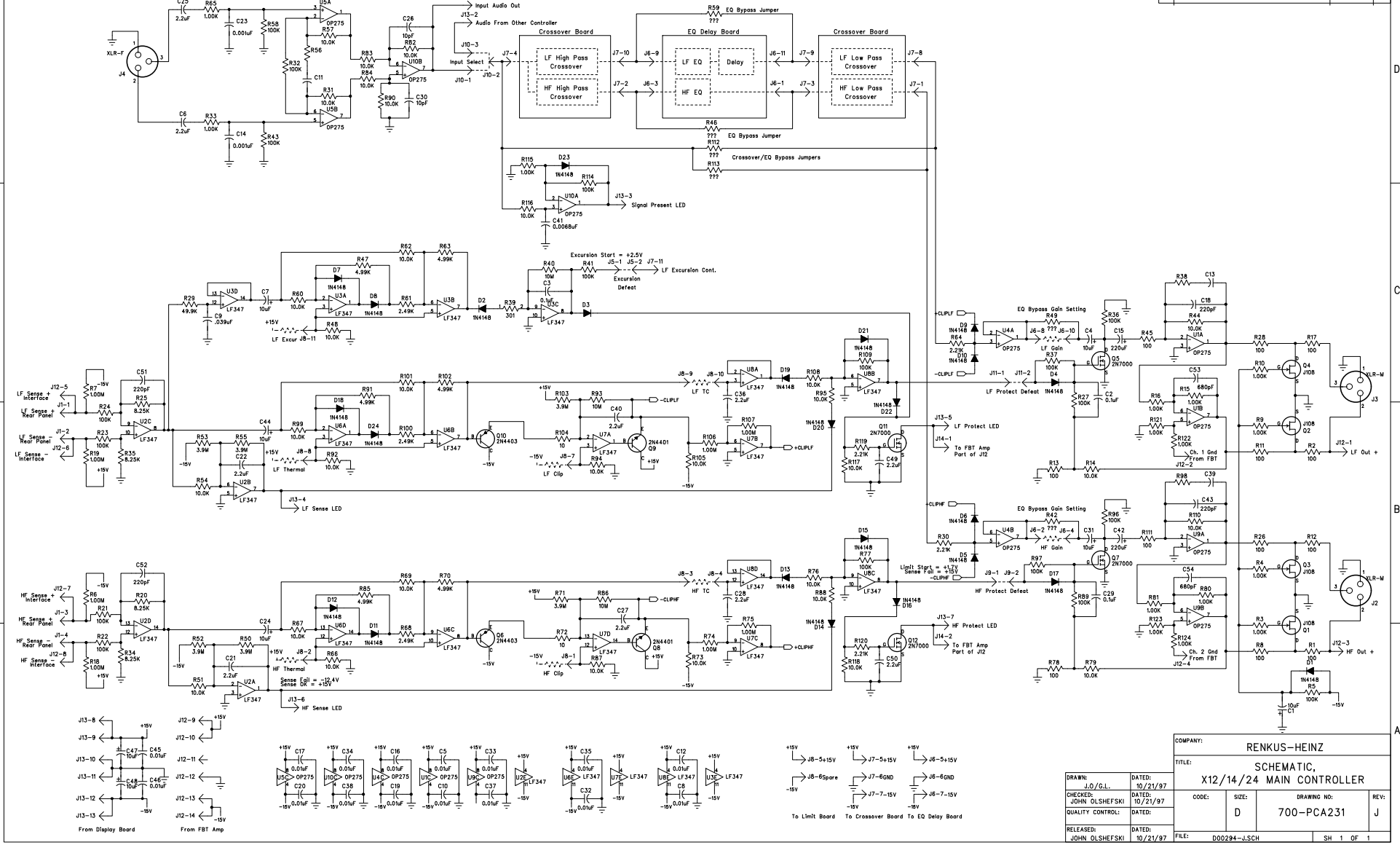


REVISION RECORD			
REV	DESCRIPTION	DATE	BY
1	ECC #2405	5/29/98	G.L.

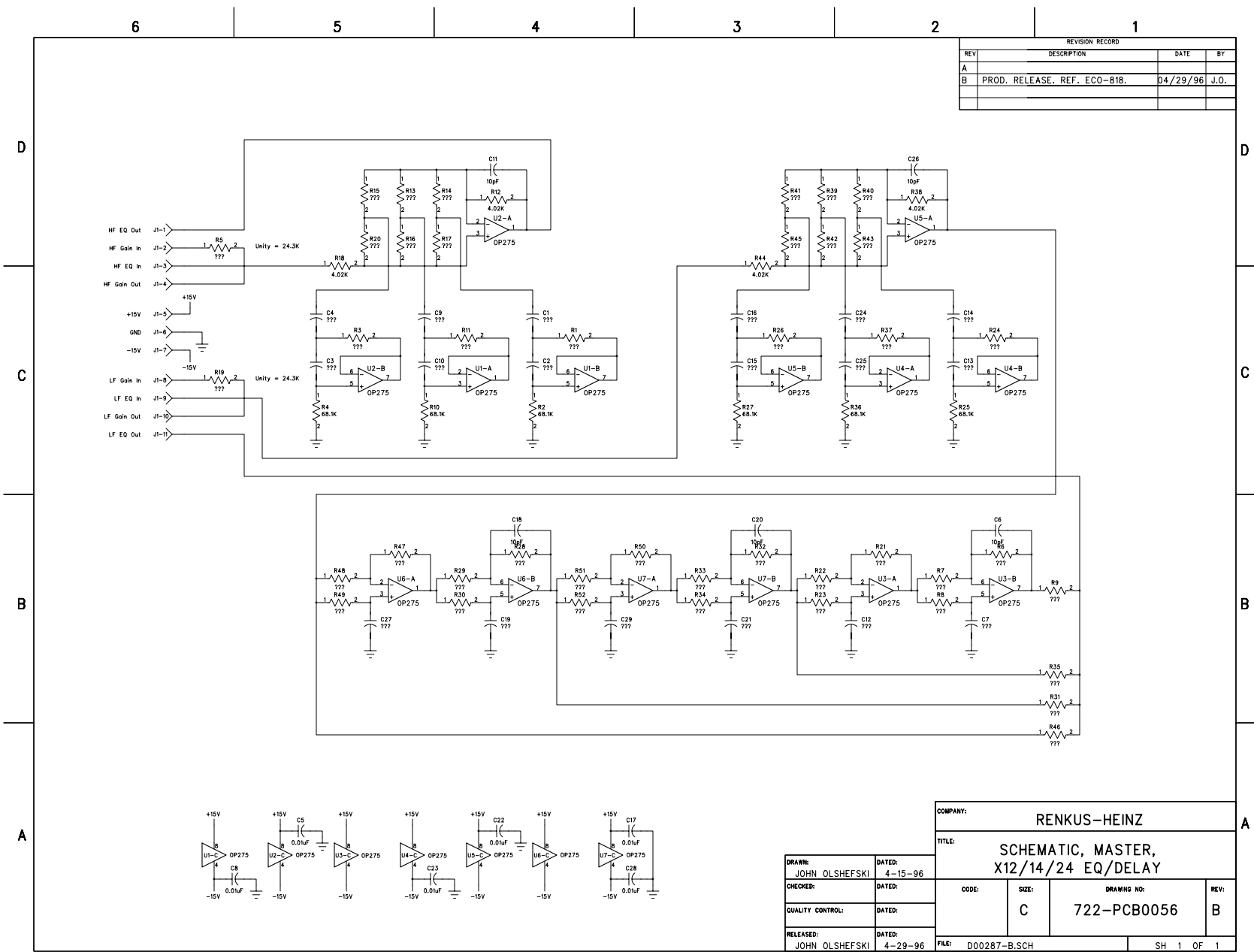


COMPANY: **RENKUS-HEINZ**

TITLE: **SCHEMATIC, X12/14/24 MAIN CONTROLLER**

DRAWN: J.O./G.L.	DATE: 10/21/97	CODE: D	SIZE: 700-PCA231	REV: J
CHECKED: JOHN OLSHEFSKI	DATE: 10/21/97	RELEASED: JOHN OLSHEFSKI	DATE: 10/21/97	FRB: D00294-J.SCH

SH 1 OF 1



6

5

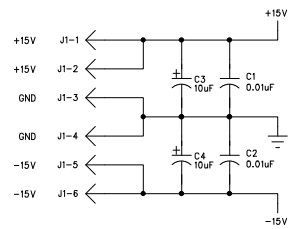
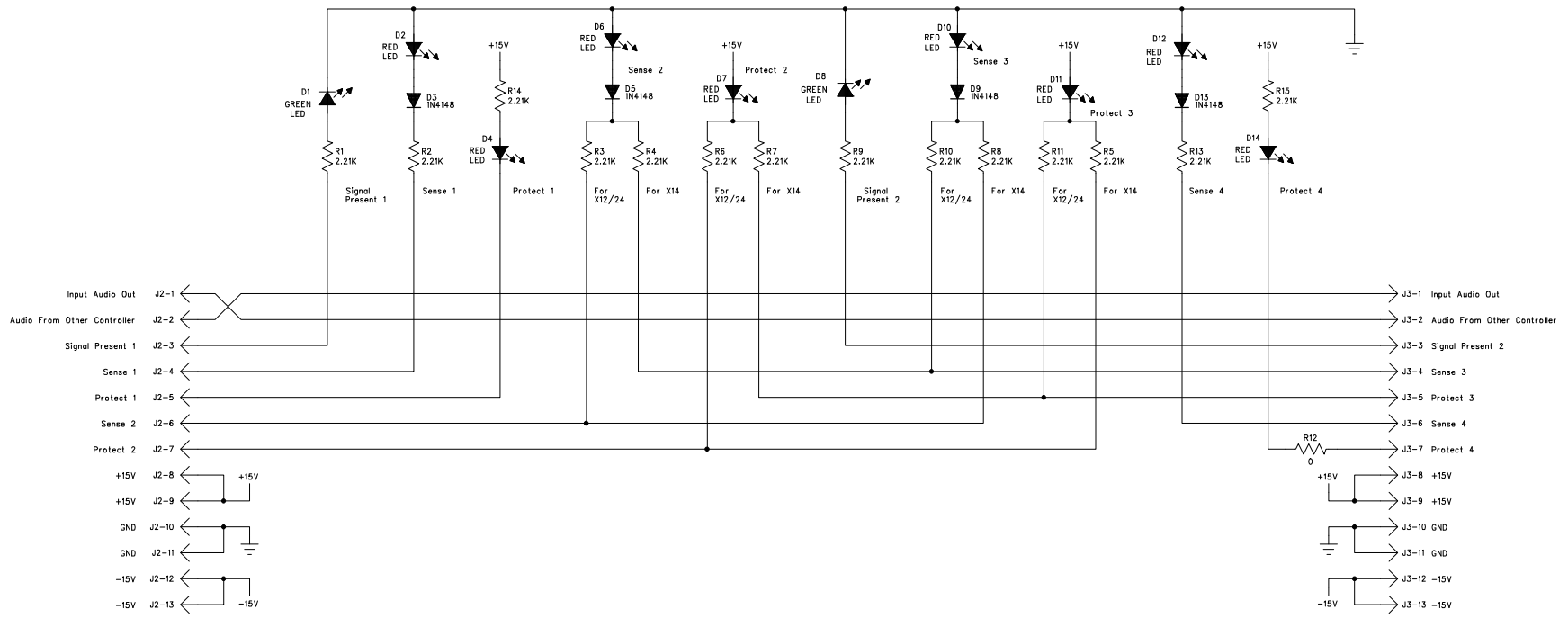
4

3

2

1

REVISION RECORD			
REV	DESCRIPTION	DATE	BY
B	PRODUCTION RELEASE. REF: ECO-822.	05/15/96	T.F.



COMPANY:		<b>RENKUS-HEINZ</b>	
TITLE:		SCHEMATIC, X12/14/24 DISPLAY	
DRAWN:	DATED:	SIZE:	DRAWING NO:
CHECKED:	DATED:	C	700-PCA236 & 700-PCA237
QUALITY CONTROL:	DATED:		
RELEASED:	DATED:	FILE:	D00299-B.SCH
		SH 1 OF 1	

DRAWN:	DATED:
JOHN OLSHEFSKI	
CHECKED:	DATED:
QUALITY CONTROL:	DATED:
RELEASED:	DATED:

6

5

4

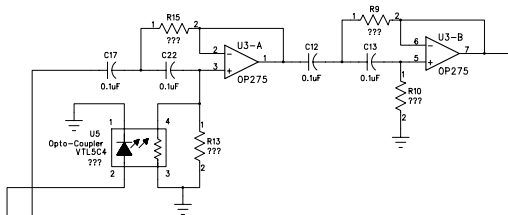
3

2

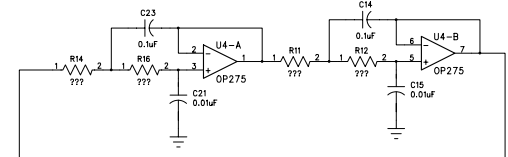
1

REVISION RECORD			
REV	DESCRIPTION	DATE	BY
A			
B	PRODUCTION RELEASE. REF. ECO-819.	04/29/96	J.O.

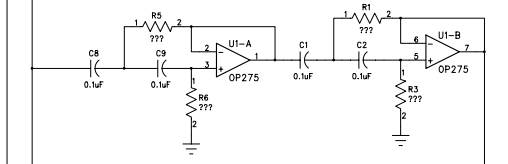
**Low Band High Pass**  
 $f_o = \frac{1}{2\pi RC}$



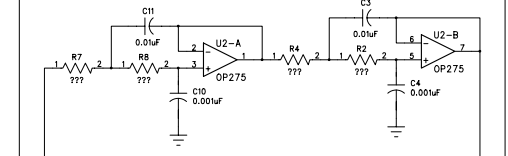
**Low Band Low Pass**  
 $f_o = \frac{1}{2\pi RC}$



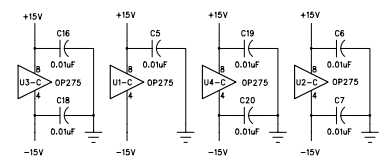
**High Band High Pass**  
 $f_o = \frac{1}{2\pi RC}$



**High Band Low Pass**  
 $f_o = \frac{1}{2\pi RC}$



- High Band LP Out J1-1
- High Band HP Out J1-2
- High Band LP In J1-3
- High/Low Band HP In J1-4
- +15V J1-5
- GND J1-6
- 15V J1-7
- Low Band LP Out J1-8
- Low Band LP In J1-9
- Low Band HP Out J1-10
- LF Excursion Cont. J1-11



COMPANY: <b>RENKUS-HEINZ</b>			
TITLE: <b>SCHEMATIC, MASTER, X12/14/24 CROSSOVER</b>			
DRAWN: JOHN OLSHEFSKI	DATED: 4-15-96	CODE:	REV: <b>B</b>
CHECKED:	DATED:	SIZE: <b>C</b>	DRAWING NO: <b>722-PCB0057</b>
QUALITY CONTROL:	DATED:	FILE: D00288-B.SCH	
RELEASED: JOHN OLSHEFSKI	DATED: 4-29-96	SH 1 OF 1	

6

5

4

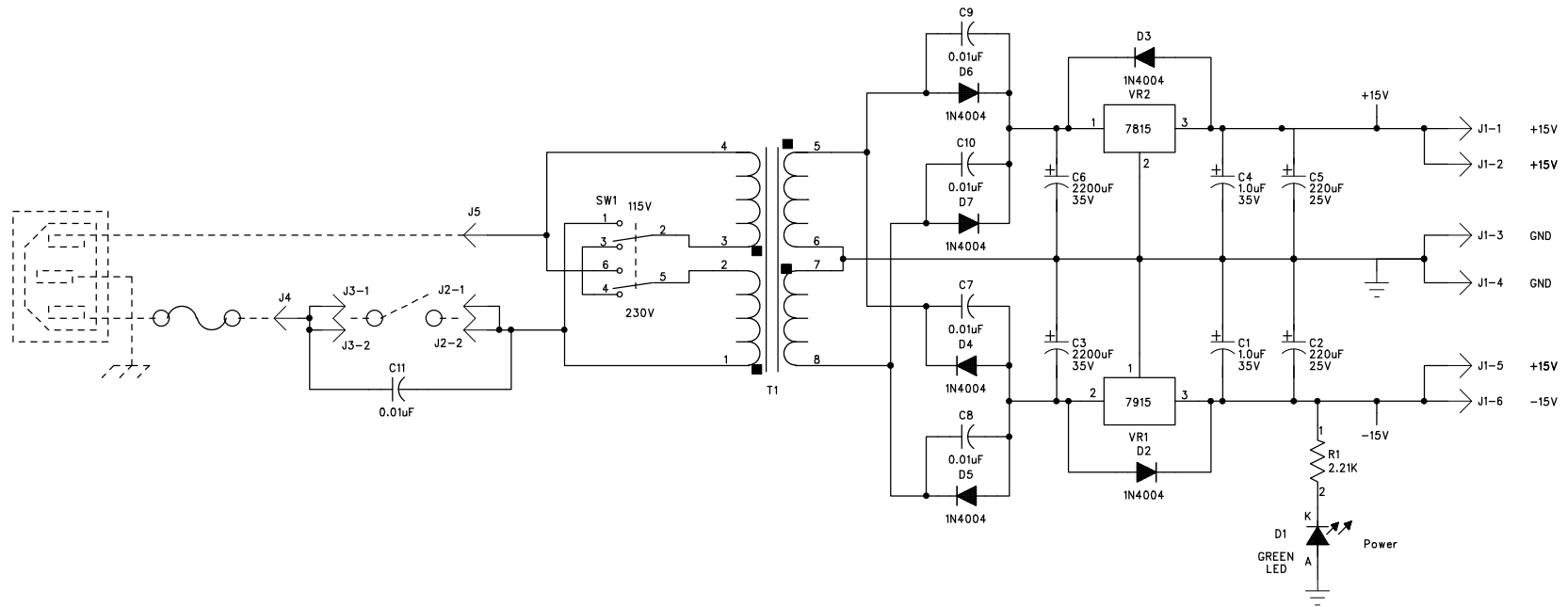
3

2

1

## REVISION RECORD

REV	DESCRIPTION	DATE	BY
A			
B	PRODUCTION RELEASE. REF. ECO-822.	05/14/96	T.F.
C	SEE ECO 2450 FOR CHANGES	7/2/98	G.L.



COMPANY:

RENKUS-HEINZ

TITLE:

SCHEMATIC, X12/14/24,  
POWER SUPPLY BOARDDRAWN:  
JOHN OLSHEFSKIDATED:  
4/96

CHECKED:

DATED:

CODE: SIZE: DRAWING NO: REV:

Q.C.:

DATED:

B

700-PCA233

C

RELEASED:

DATED:

FILE: D00296-C.SCH

SH 1 OF 1

D

C

B

A

D

C

B

A

6

5

4

3

2

1

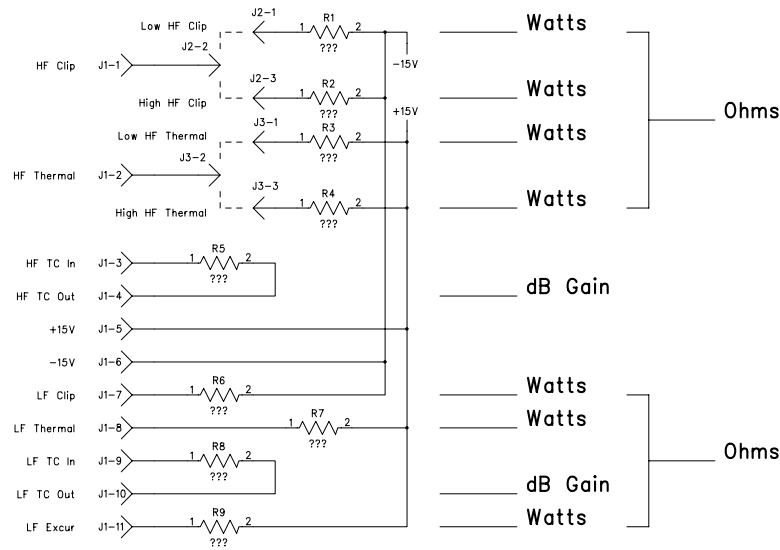
D

C

B

A

REVISION RECORD			
REV	DESCRIPTION	DATE	BY
A			
B	PRODUCTION RELEASE. REF: ECO-816.	04/30/96	T.F.



COMPANY:				RENKUS-HEINZ			
TITLE:				SCHEMATIC, MASTER, X12/14/24 LIMIT BOARD			
CHECKED:	DATED:	CODE:	SIZE:	DRAWING NO:		REV:	
QUALITY CONTROL:	DATED:		B	722-PCB0055		B	
RELEASED:	DATED:	FILE:	D00286-B.SCH		SH 1 OF 1		

DRAWN:	DATED:
JOHN OLSHEFSKI	4-15-96
CHECKED:	DATED:
QUALITY CONTROL:	DATED:
RELEASED:	DATED:
JOHN OLSHEFSKI	4-30-96