

6

5

4

3

2

1

D

C

B

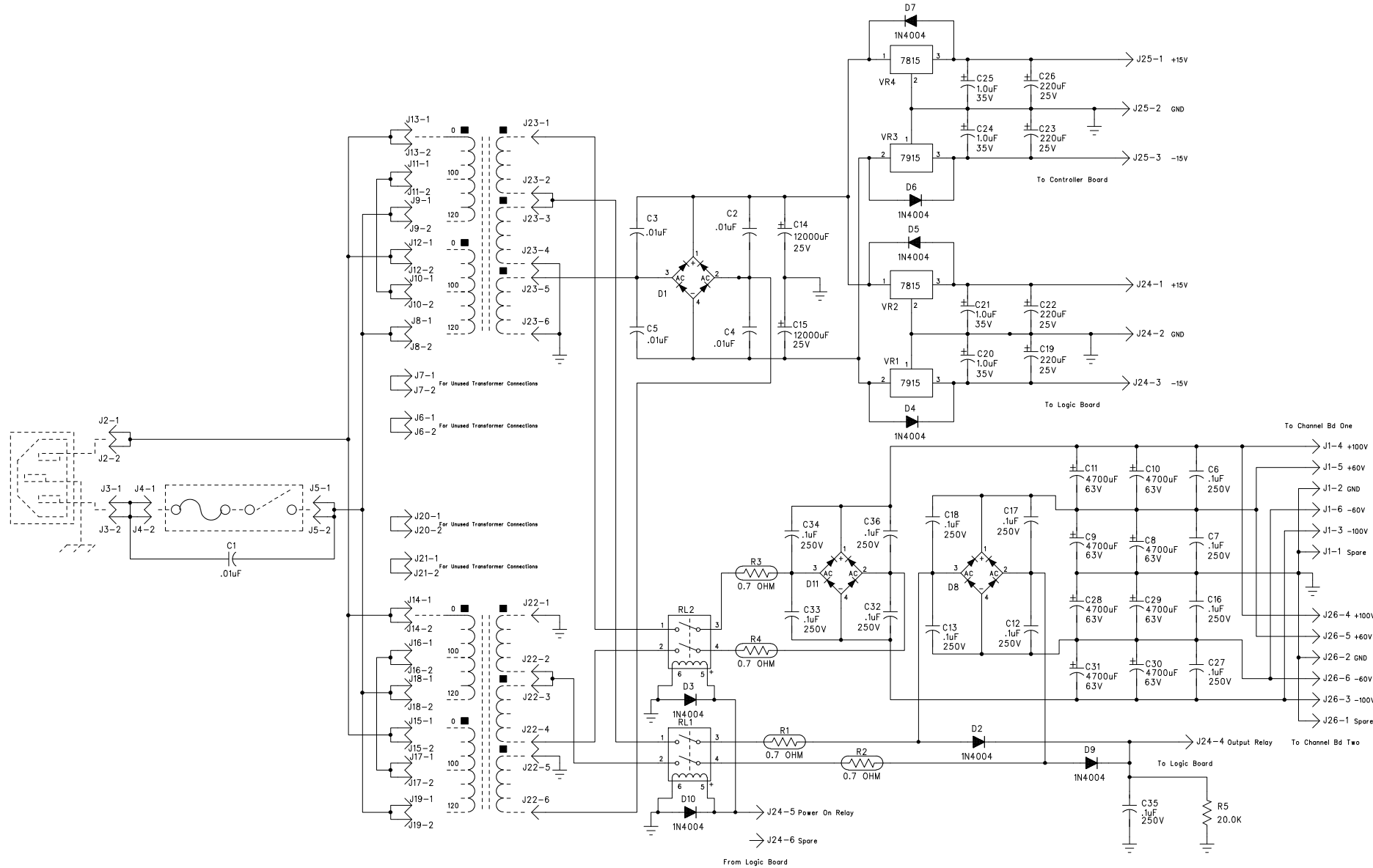
A

D

C

B

A



REV				DESCRIPTION		DATE	BY	DESIGNED:	DATED:	COMPANY:	
C				ECO-2476		7/21/98	G.L.	J.O.	03/10/97	RENKUS-HEINZ, Inc.	
								RELEASED:	DATED:	TITLE:	
								J.O./T.F.	03/10/97	POWER SUPPLY, AMP, P3500 / P3501	
								DRAWN:	DATED:	SIZE:	DRAWING NO:
								J.O./T.F.	03/10/97		700-PCA323
								QUALITY CONTROL:	DATED:	REV:	C
										FILE:	D00424-C.SCH
										SHEET:	1 OF 1

6

5

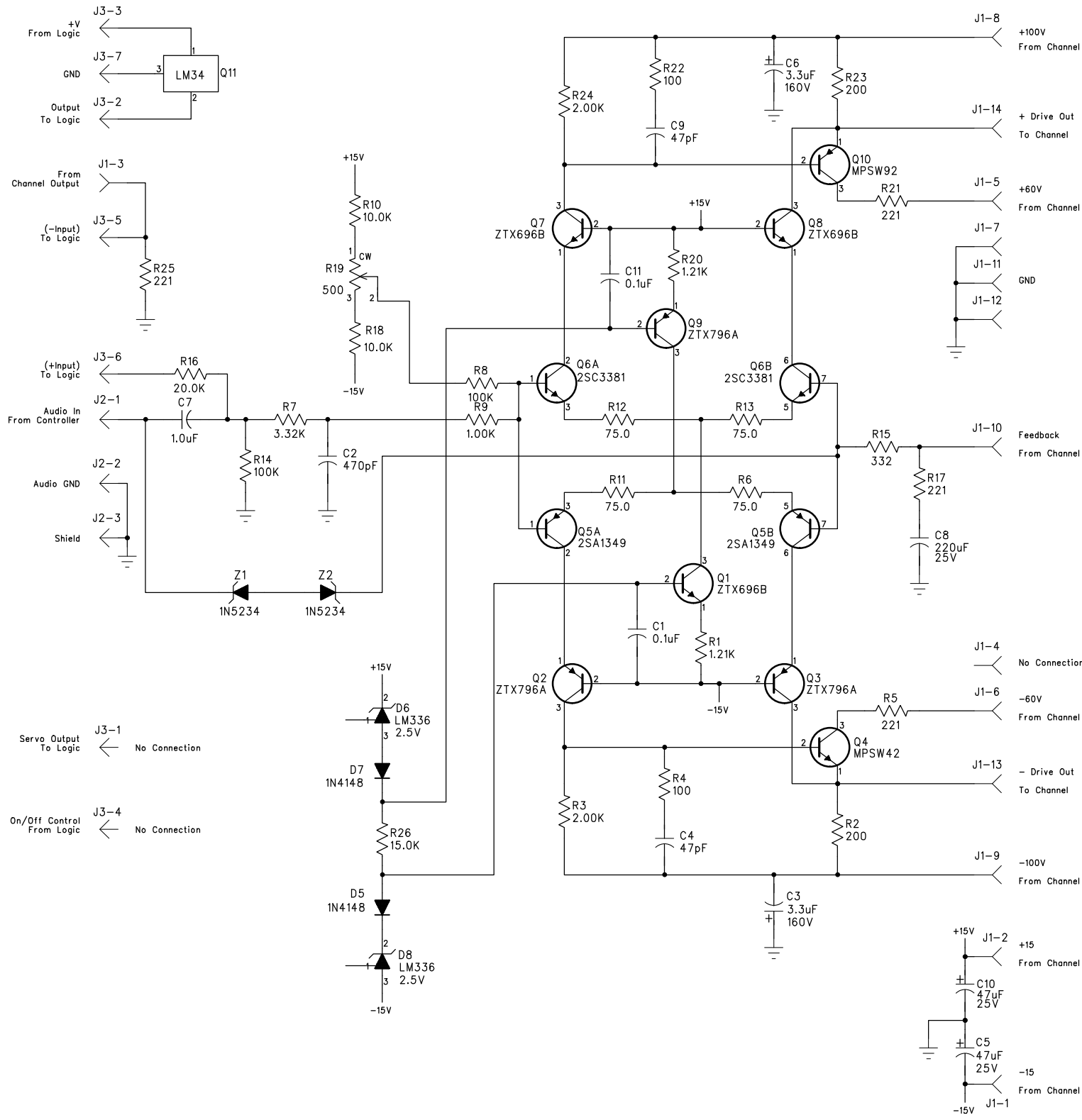
4

3

2

1

REV	DESCRIPTION	DATE	BY
C	REVISED & REDRAWN: SEE ECO #2633	1/5/99	G.L.



D

C

B

A

D

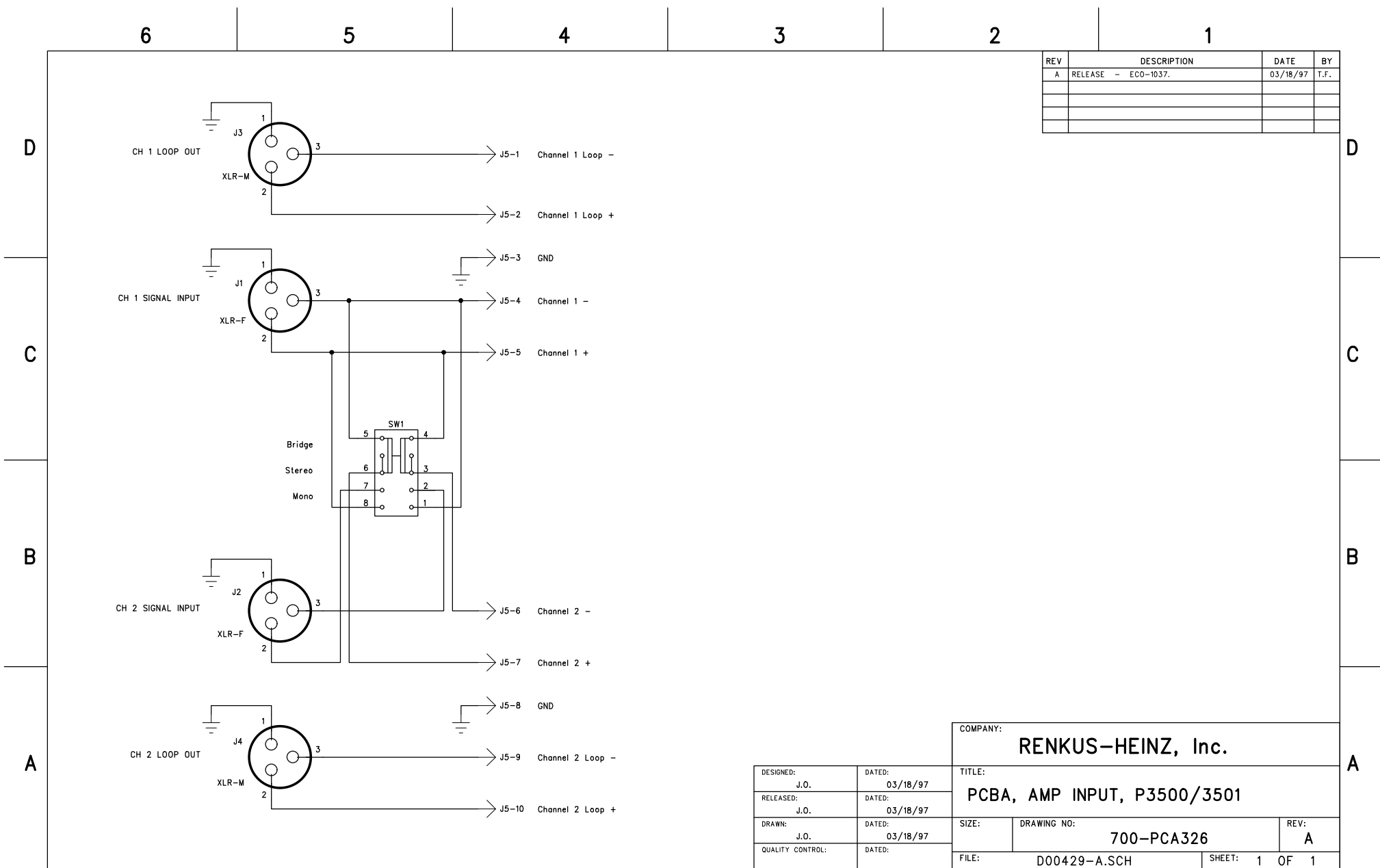
C

B

A

COMPANY:		RENKUS-HEINZ, Inc.	
TITLE:		PCBA, P3500/3501, PRE-AMP	
DESIGNED:	J.O.	DATED:	11/13/96
RELEASED:	J.O.	DATED:	03/13/97
DRAWN:	TLN	DATED:	11/13/96
QUALITY CONTROL:		DATED:	
SIZE:	DRAWING NO:	REV:	C
FILE:	D00450-C.SCH	SHEET:	1 1 OF 1

DESIGNED:	J.O.	DATED:	11/13/96
RELEASED:	J.O.	DATED:	03/13/97
DRAWN:	TLN	DATED:	11/13/96
QUALITY CONTROL:		DATED:	



6

5

4

3

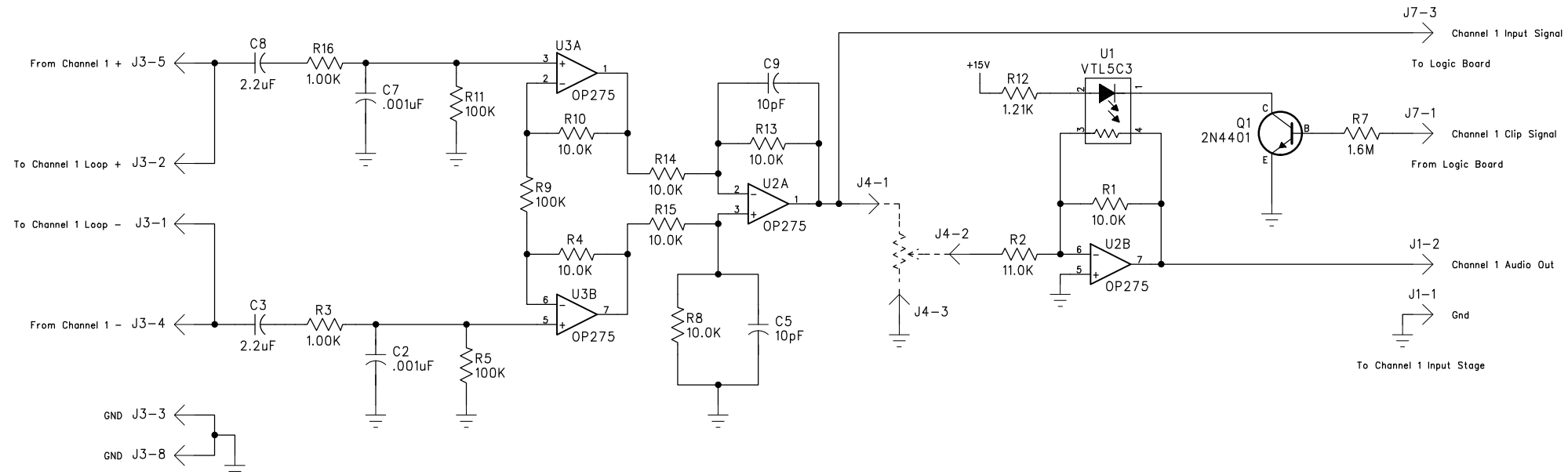
2

1

REV	DESCRIPTION	DATE	BY
B	REVISED & REDRAWN: SEE ECO #2099	9/12/97	G.L.

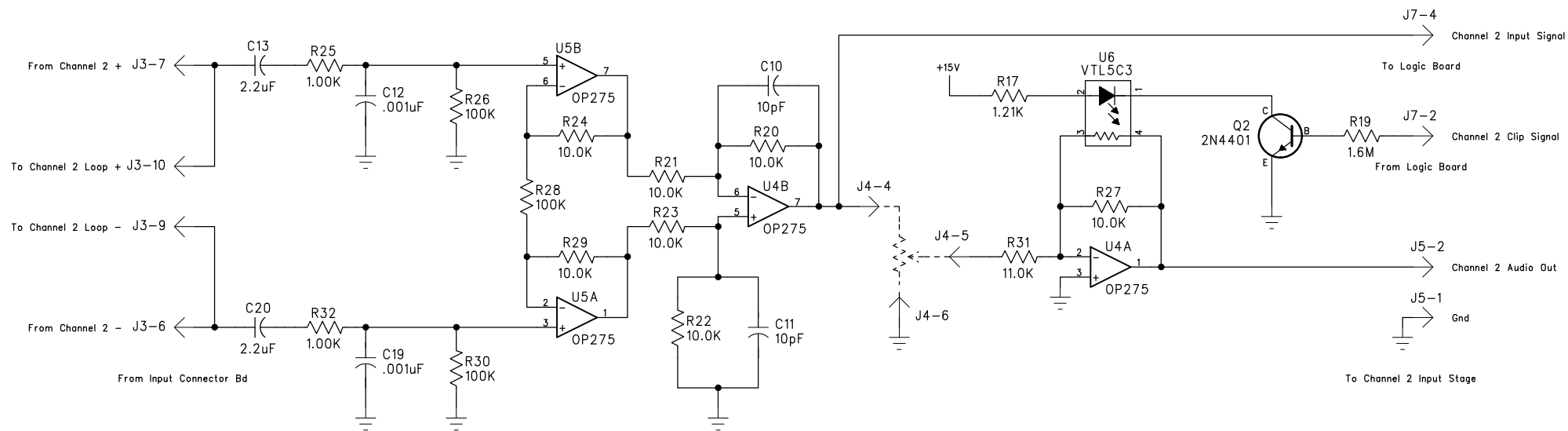
D

D



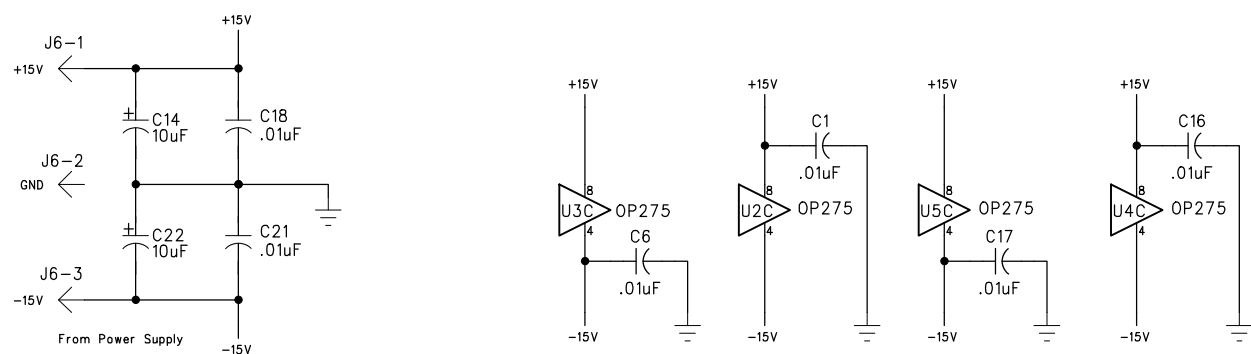
C

C



B

B



A

A

J7-5
→ Not Used On Passive Bd
J7-6
→ Not Used On Passive Bd
To Logic Board

COMPANY:		RENKUS-HEINZ, Inc.	
TITLE:		PCBA, AMP, P3501, PASSIVE INPUT	
DESIGNED:	J.O./T.N.	DATED:	07/15/97
RELEASED:	J.O./T.N.	DATED:	07/15/97
DRAWN:	T.N./G.L.	DATED:	07/15/97
QUALITY CONTROL:	DATED:		
SIZE:	DRAWING NO:	REV:	B
	700-PCA332		
FILE:	D00438-B.SCH	SHEET:	1 OF 1

6

5

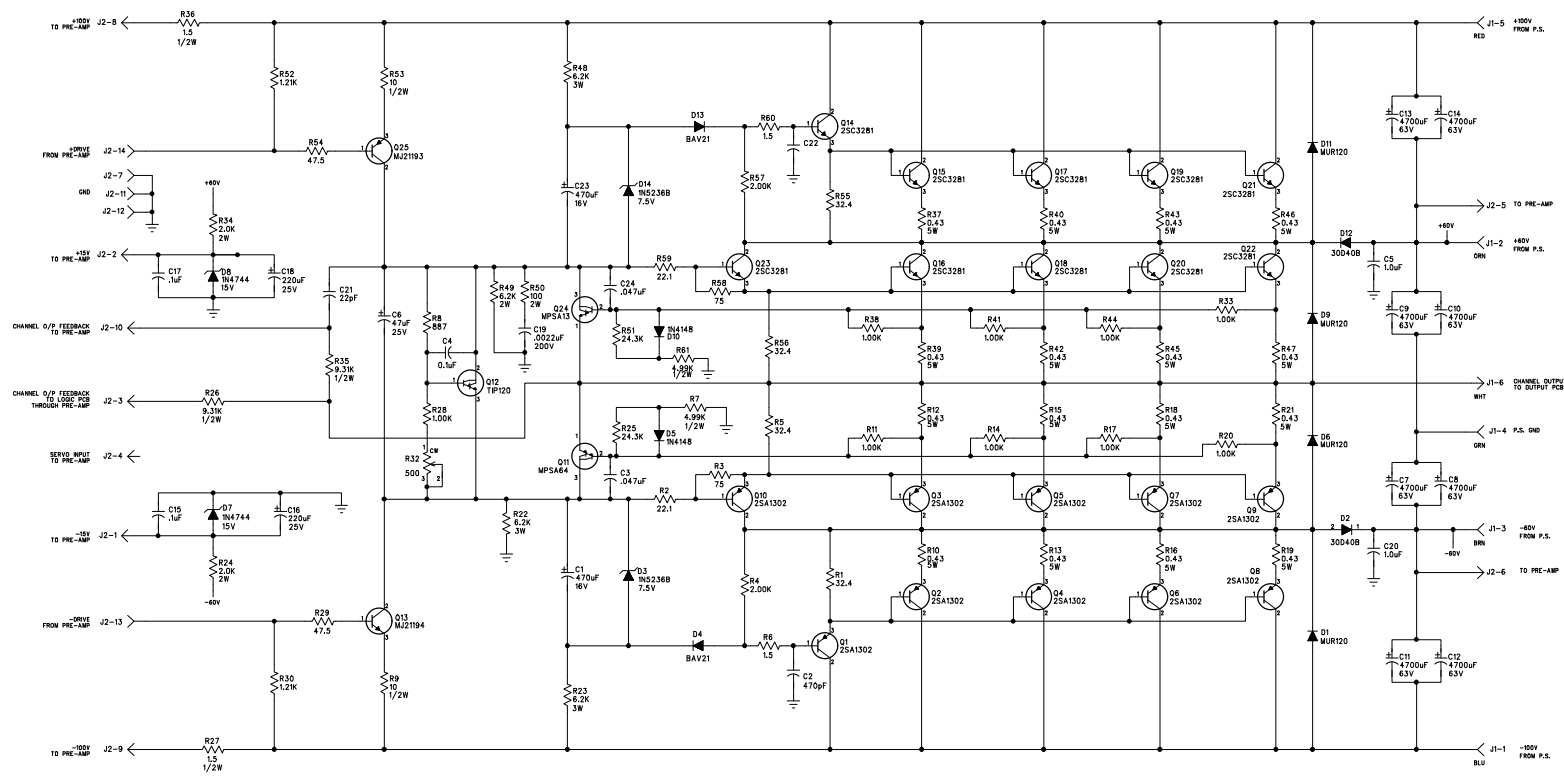
4

3

2

1

REV	DESCRIPTION	DATE	BY
A	RELEASE - ECD0037	03/13/97	T.F.



D

D

C

C

B

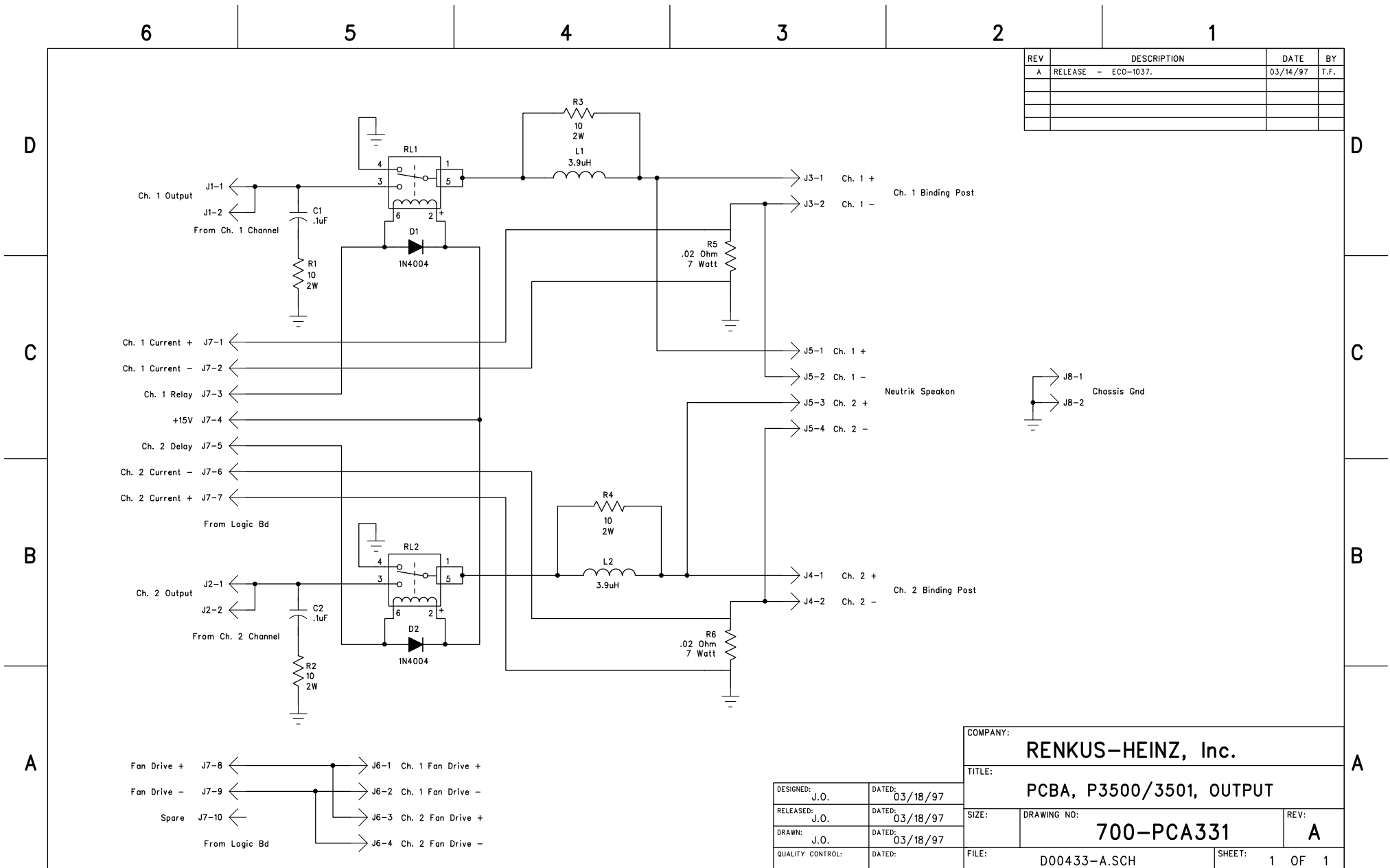
B

A

A

COMPANY		RENKUS-HEINZ, Inc.	
DESIGNED:	J.O.	DATE:	03/13/97
RELEASED:	J.O.	DATE:	03/13/97
DRAWN:	J.O./T.F.	DATE:	03/13/97
QUALITY CONTROL:		DATE:	
TITLE:		PCBA, CHANNEL, P3500/3501	
DRAWING NO.:		700-PCA337	
FILE:	D00448-A.SCH	SHEET:	1 OF 1

DESIGNED:	DATE:
RELEASED:	DATE:
DRAWN:	DATE:
QUALITY CONTROL:	DATE:



REV	DESCRIPTION	DATE	BY
A	RELEASE - ECO-1037.	03/14/97	T.F.

COMPANY:			
RENKUS-HEINZ, Inc.			
TITLE:			
PCBA, P3500/3501, OUTPUT			
DESIGNED:	DATED:	SIZE:	REV:
J.O.	03/18/97		A
RELEASED:	DATED:	DRAWING NO:	
J.O.	03/18/97	700-PCA331	
DRAWN:	DATED:	FILE:	SHEET:
J.O.	03/18/97	D00433-A.SCH	1 OF 1
QUALITY CONTROL:	DATED:		

6

5

4

3

2

1

D

C

B

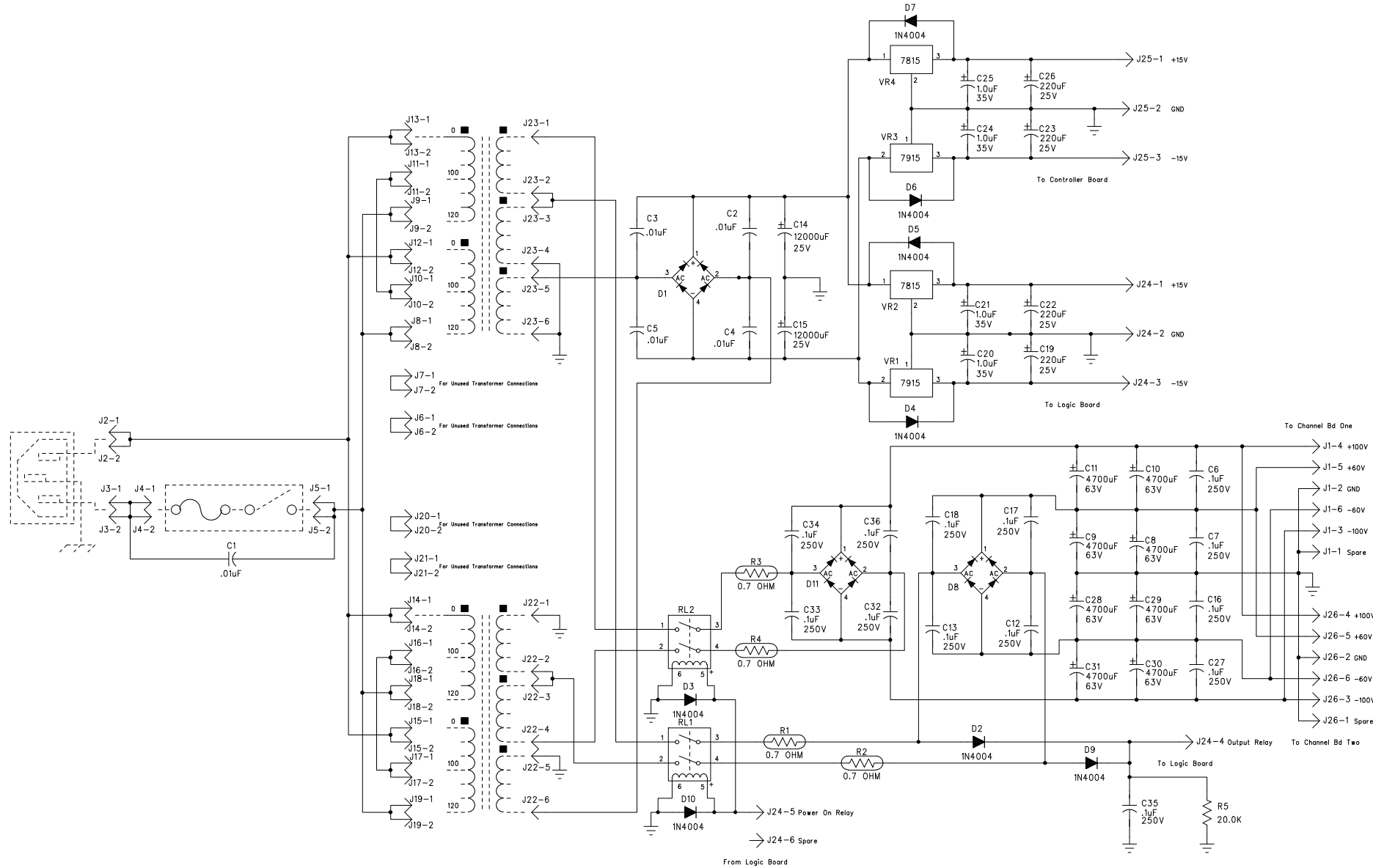
A

D

C

B

A



REV				DESCRIPTION		DATE	BY	DESIGNED:	DATED:	COMPANY:		
C				ECO-2476		7/21/98	G.L.	J.O.	03/10/97	RENKUS-HEINZ, Inc.		
								RELEASED:	DATED:	TITLE:		
								J.O./T.F.	03/10/97	POWER SUPPLY, AMP, P3500 / P3501		
								QUALITY CONTROL:	DATED:	SIZE:	DRAWING NO:	REV:
											700-PCA323	C
										FILE:	D00424-C.SCH	SHEET: 1 OF 1