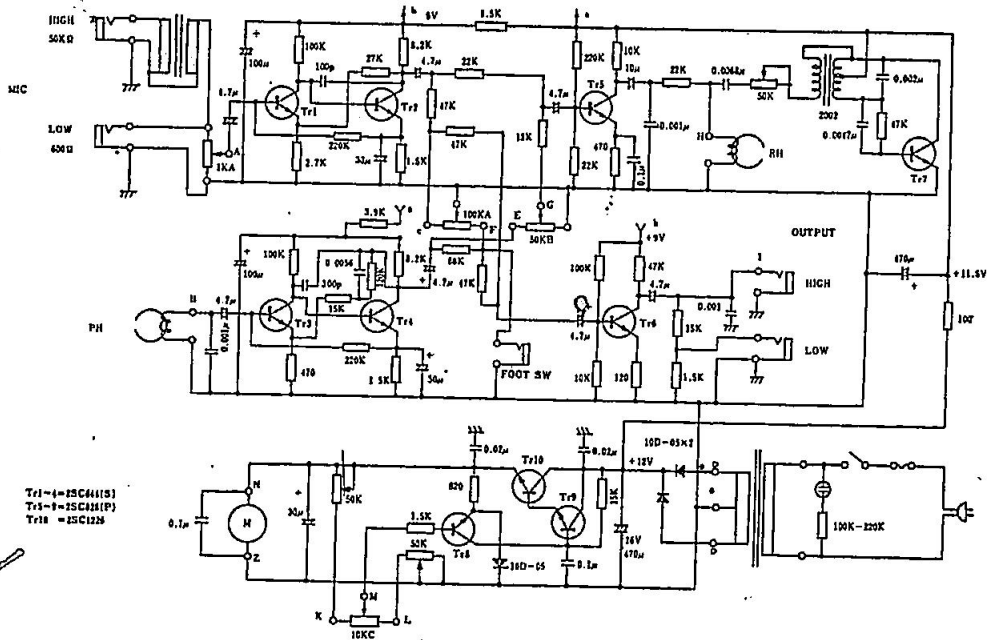


4. The model EC-80A should be in upright position during operation and away from any hum field-producing devices such as amplifier transformers, etc.

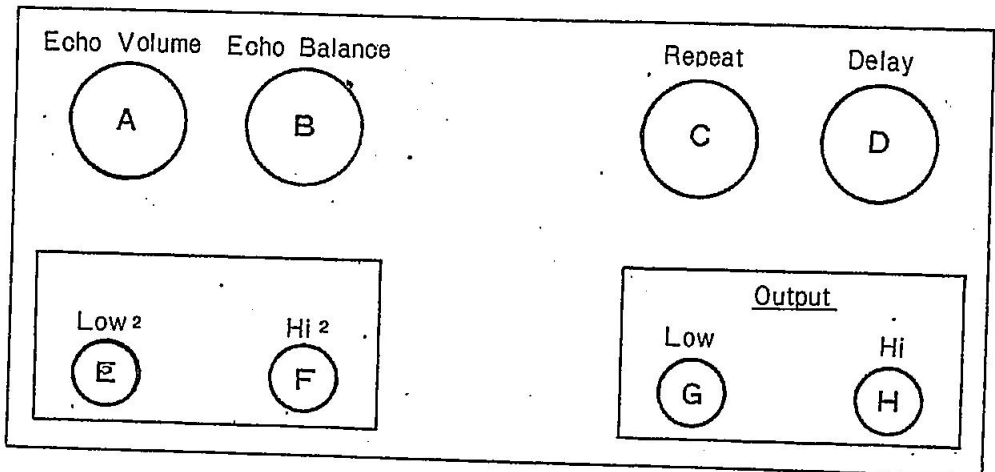
SCHEMATIC DIAGRAM



UNIVOX ECHO MACHINE is warranted to be free of defects and is guaranteed for one year, provided warranty card is returned to Merson within seven days of purchase. Terms of warranty are indicated on warranty card.

Operating Procedure EC-80A for minimum Background noise.

1. Plug instrument into input jack (F), ("E" if low impedance source).
2. Connect Audio Cable from jack (H) to input of amplifier. Connect to (G) if gain is too high.
3. Turn control (A) echo volume, to maximum.
Utilize amplifier volume control as master volume.
4. Turn control (B), echo balance, for desired echo return.
5. Adjust (C), echo repeat, for the number of repeats desired.
6. Adjust (D), echo delay, for desired delay.



Distributed by,

UNICORD, INCORPORATED 75 Frost Street Westbury, New York 11590

PRINTED IN JAPAN