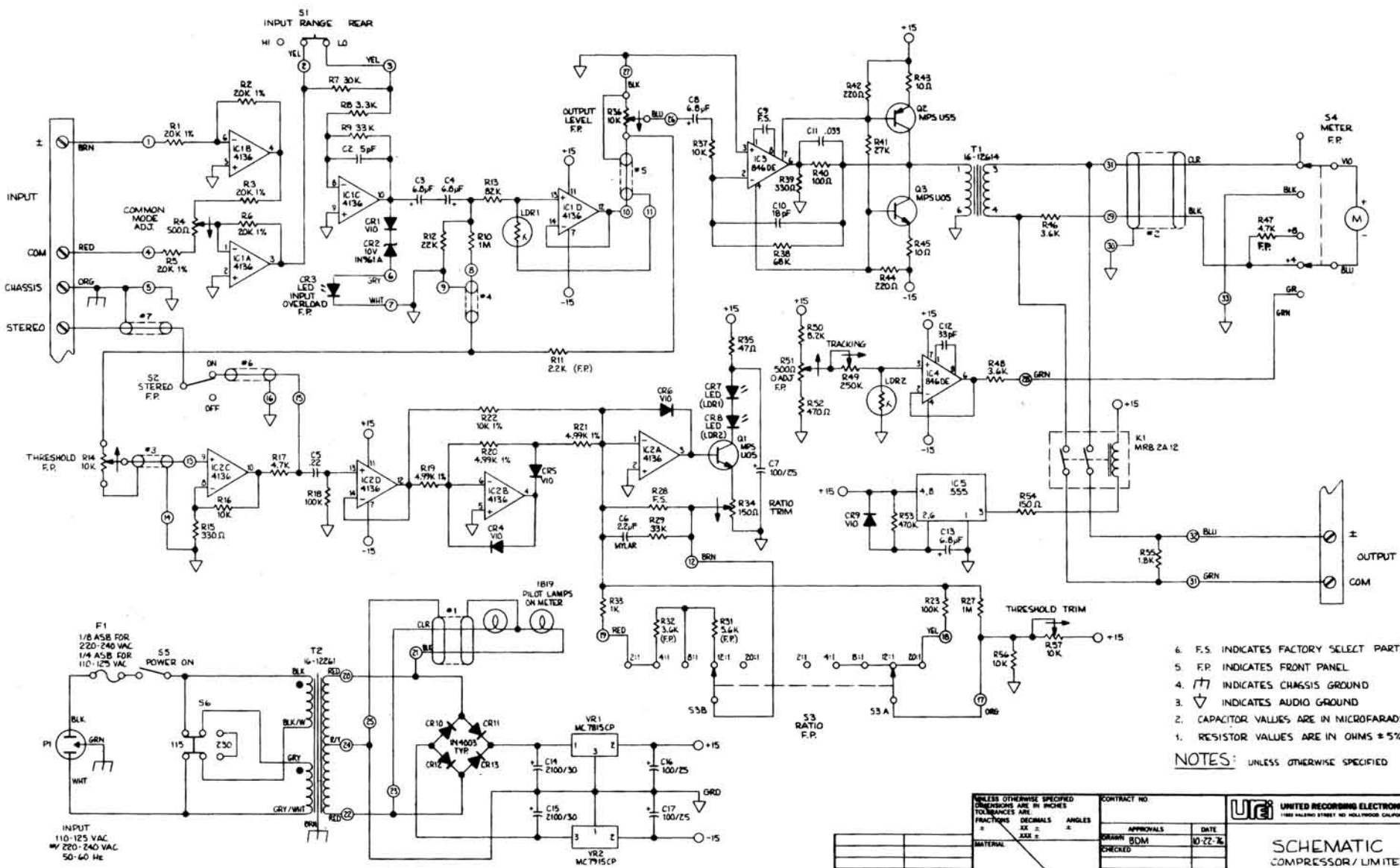


REVISONS		DATE	APPROVED
ZONE	LTR		



- 6. F.S. INDICATES FACTORY SELECT PART
 - 5. F.P. INDICATES FRONT PANEL
 - 4. (T) INDICATES CHASSIS GROUND
 - 3. (∇) INDICATES AUDIO GROUND
 - 2. CAPACITOR VALUES ARE IN MICROFARADS
 - 1. RESISTOR VALUES ARE IN OHMS ± 5% 1/2 W
- NOTES: UNLESS OTHERWISE SPECIFIED

F1
1/8 ASB FOR
220-240 VAC
1/4 ASB FOR
110-125 VAC

INPUT
110-125 VAC
200-240 VAC
50-60 Hz

UNLESS OTHERWISE SPECIFIED DIMENSIONS ARE IN INCHES TOLERANCES ARE:	
FRACTIONS	DECIMALS
ANGLES	ASSEMBLY
MATERIAL	
FINISH	
NEXT ASSY	USED ON
APPLICATION	

CONTRACT NO.	
APPROVALS	DATE
DRAWN	10-27-76
BOM	
CHECKED	

URE UNITED RECORDING ELECTRONICS INDUSTRY
1189 HOLLAND STREET NO. HOLLYWOOD, CALIFORNIA 91601

SCHMATIC
COMPRESSOR / LIMITER

SIZE: **D** MODEL NO: **LA 4** DRAWING NO: **12647**

SCALE: _____ SHEET 1 OF 1

SECTION IV

MAINTENANCE

4.1 GENERAL

The LA-4 is an all solid-state unit, ruggedly constructed with only the highest quality components. As such, the LA-4 should provide years of trouble free use with normal care. All parts used are conservatively rated for their application, and workmanship meets the rigid standards you have learned to expect in UREI products.

NO SPECIAL PREVENTIVE MAINTENANCE IS REQUIRED.

4.2 GAIN REDUCTION METER ZERO ADJUSTMENT

When switched to "GR" mode, and with no signal applied to the LA-4 input, the meter pointer should rest at 0 VU. If the pointer rests at some other position, allow about 1/2 hour for the LA-4 to warm up. Then insert a small slotted screwdriver in the hole on the LA-4 front panel just to the right of the meter, engaging the trimmer located 1-1/4" behind the front panel. Turn the screwdriver until the pointer indicates 0 VU. This completes the adjustment.

4.3 G.R. METER CALIBRATION

Before proceeding with stereo tracking adjustment, the G.R. meter accuracy should be checked by following this procedure.

1. Apply a 1000 Hz signal to the Input at a level between 0.1 and 1 volts.
2. Switch the meter to +4, and adjust the output to read 0 VU.
3. Advance the threshold control to drop the output 5 dB (meter reads -5 VU).
4. Switch the meter to G.R.: it should read -4.5 to -5.5 VU. If so, proceed to the stereo tracking calibration (Section 4.4). If not, adjust R 49 (tracking pot) to read -5 VU. Return to step 2 above and recheck.

4.4 STEREO TRACKING

1. Calibrate the meters as described in Sections 4.2 and 4.3.
2. Set the front panel controls as follows:

Thresholds:	Counterclockwise
Ratio:	8
Meters:	G.R.
Stereo Switches:	"ON"
Outputs:	Counterclockwise

3. Apply a 1000 Hz signal to the input at a level between 0.1 and 1 volts. Advance threshold on the left hand unit until the meter reads -5 VU. Check the meter on the right hand unit. If it is not at -5, adjust R 57 (Internal threshold trim on right hand unit) for -5 VU reading.
4. Switch the Ratios on both units to 20 (20:1). Reset the front panel threshold control on the left hand unit to read -5 VU. Retrim R 57 on the right hand unit to read -5 VU.

NOTE: In some cases, particularly where two units have widely different serial numbers, good tracking may be difficult to achieve on the 20:1 ratio. If you are tracking a very early LA-4 (with a black front-panel), check that resistor R 28 is 33 K ohm; change it if it is not.

4.5 REPAIRS AND WARRANTY

This product is factory warranted to the original purchaser against defects in material and workmanship for one year after initial purchase. This limited warranty must be activated at the time of purchase by returning the registry portion of the Warranty Card to the factory. Should a malfunction ever occur, the dealer from whom the unit was purchased will be glad to handle return for factory repair. Please call or write to the factory for a Return Authorization Number which must accompany all repairs. For prompt service, ship the unit prepaid directly to the factor with the R.A. Number visible on the shipping label. Be sure it is well packed in a sturdy carton, with shock-absorbing material such as foam rubber, styrofoam pellets, or "bubble pack" completely filling the remaining space. Particular attention should be paid to protecting the controls, switches, etc. Tape a note to the top of the unit describing the malfunction, and with instructions for return. We will pay one-way return shipping costs on any in-warranty repair.

Because of specially selected components in this product, field repairs are not authorized during the warranty period, and attempts to perform repairs may invalidate the warranty.