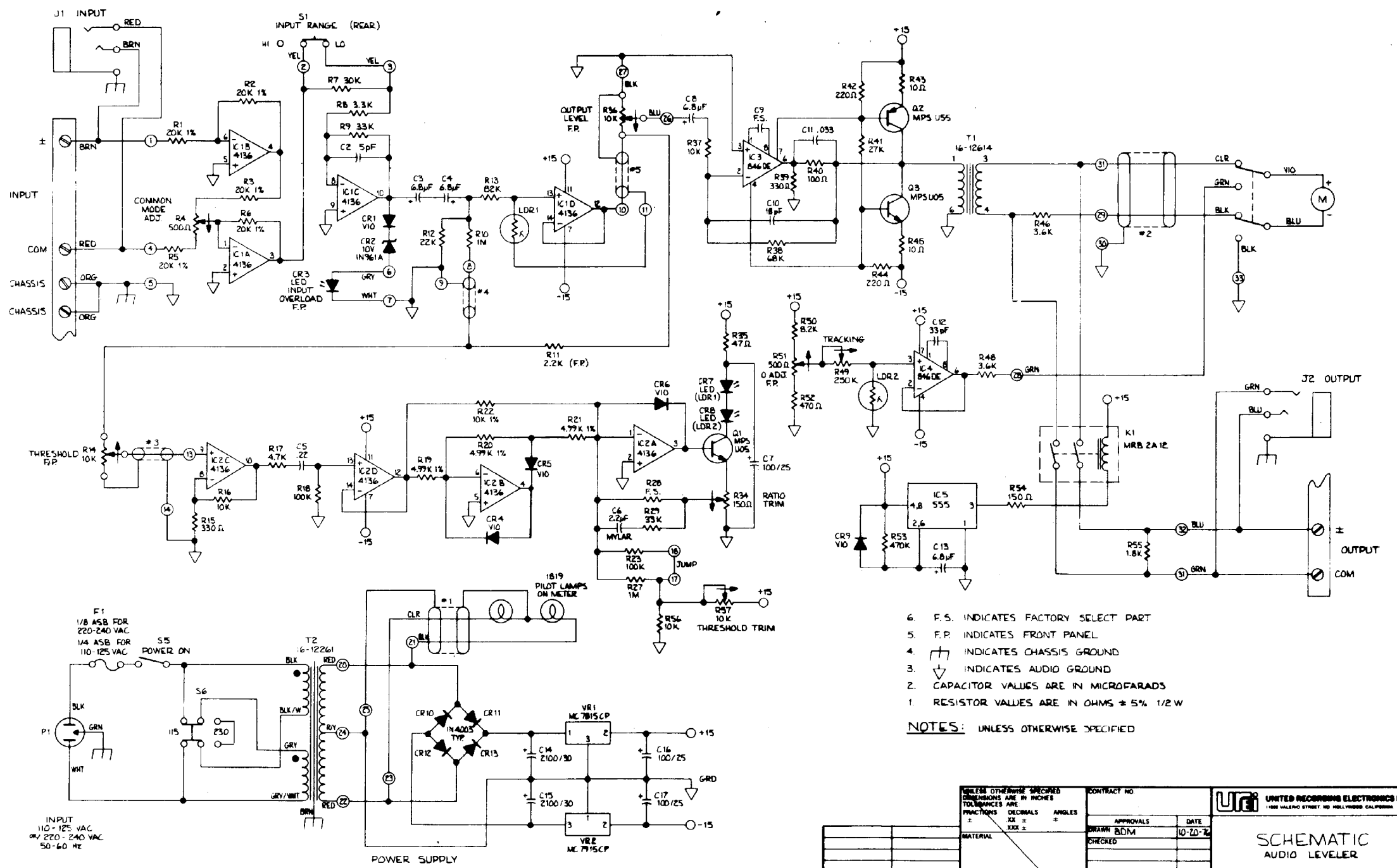


REVISIONS		DESCRIPTION	DATE	APPROVED
ZONE	LTR			



6. F.S. INDICATES FACTORY SELECT PART
5. F.P. INDICATES FRONT PANEL
4. FR. INDICATES CHASSIS GROUND
3. ∇ INDICATES AUDIO GROUND
2. CAPACITOR VALUES ARE IN MICROFARADS
1. RESISTOR VALUES ARE IN OHMS ± 5% 1/2 W

**NOTES:** UNLESS OTHERWISE SPECIFIED

UNLESS OTHERWISE SPECIFIED DIMENSIONS ARE IN INCHES TOLERANCES ARE FRACTIONS DECIMALS ANGLES		CONTRACT NO.		DATE	
MATERIAL		APPROVALS		DRAWN BDM	
FINISH		CHECKED		10-20-76	
NEXT ASSY		USED ON		SIZE MODEL NO. DRAWING NO.	
APPLICATION		DO NOT SCALE DRAWING		D LA 5 12646	
				SCALE SHEET 1 OF 1	

**URE** UNITED RECORDING ELECTRONICS INDUSTRIES  
 1188 VALLEJO STREET RD HOLLWOOD CALIFORNIA 91601

**SCHEMATIC**  
 AUDIO LEVELER

SIZE MODEL NO. DRAWING NO.  
 D LA 5 12646

SCALE SHEET 1 OF 1